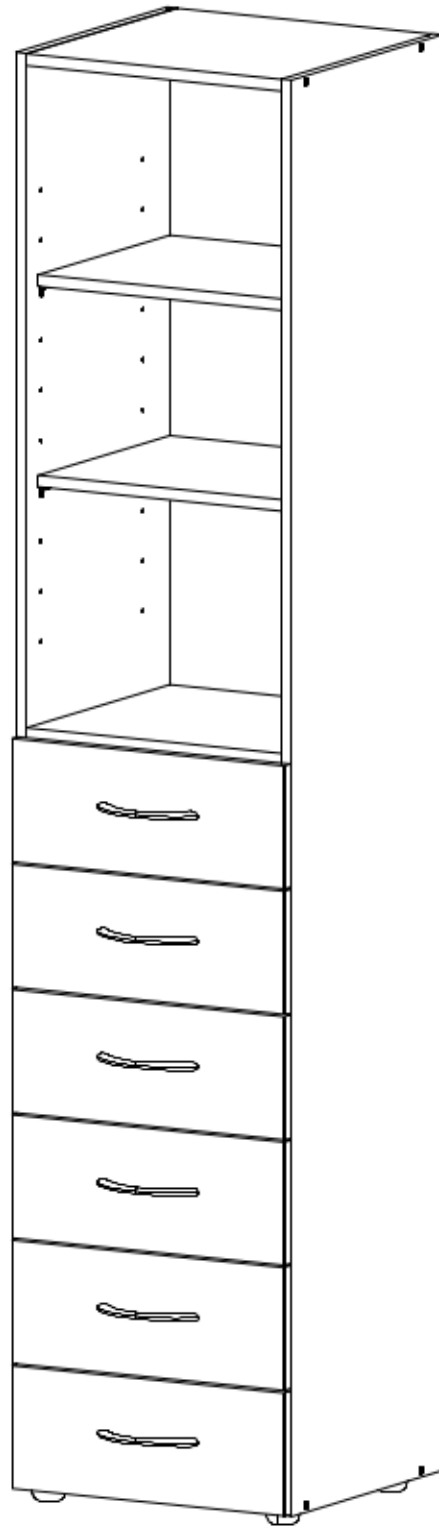
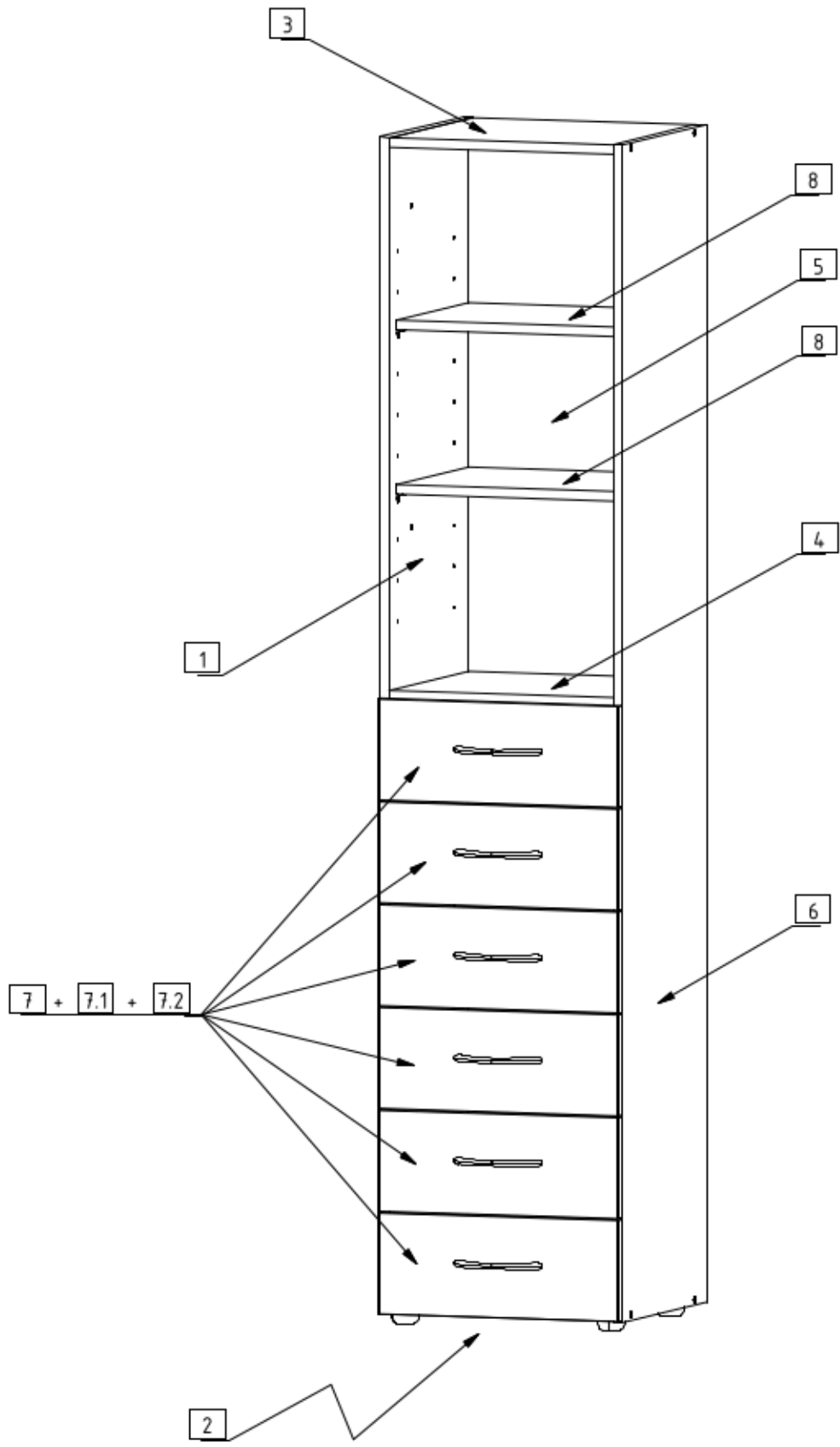
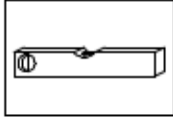
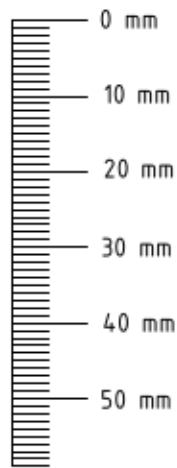








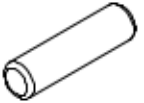













MONTAGEANLEITUNG
INSTRUCTIONS DE MONTAGE
ASSEMBLY INSTRUCTIONS

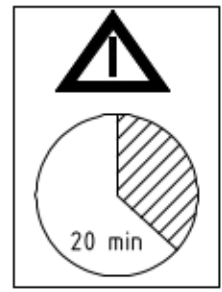
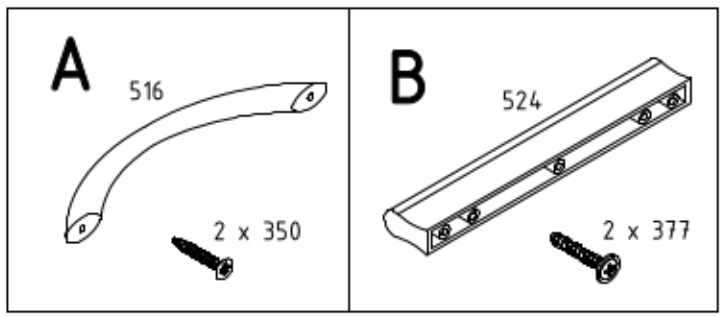
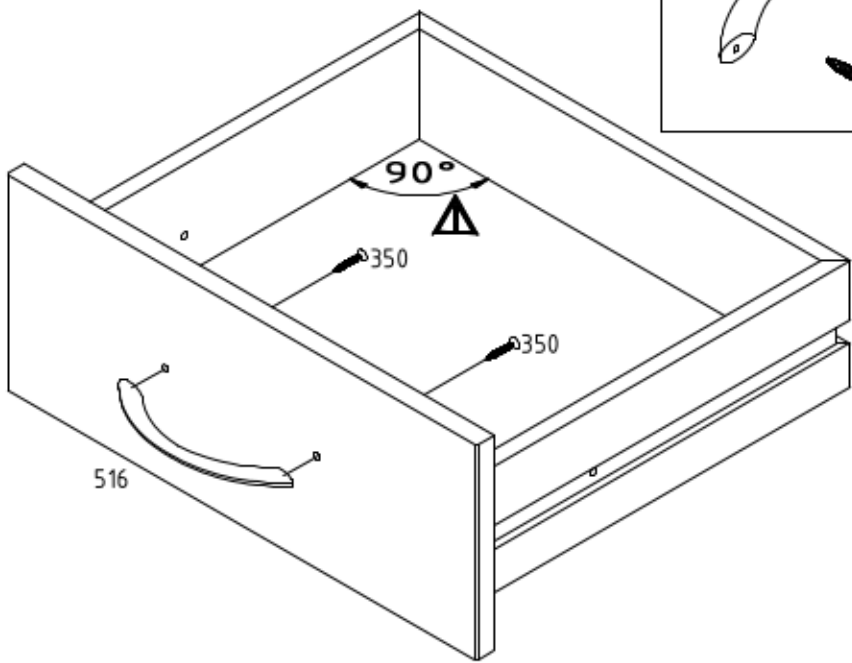
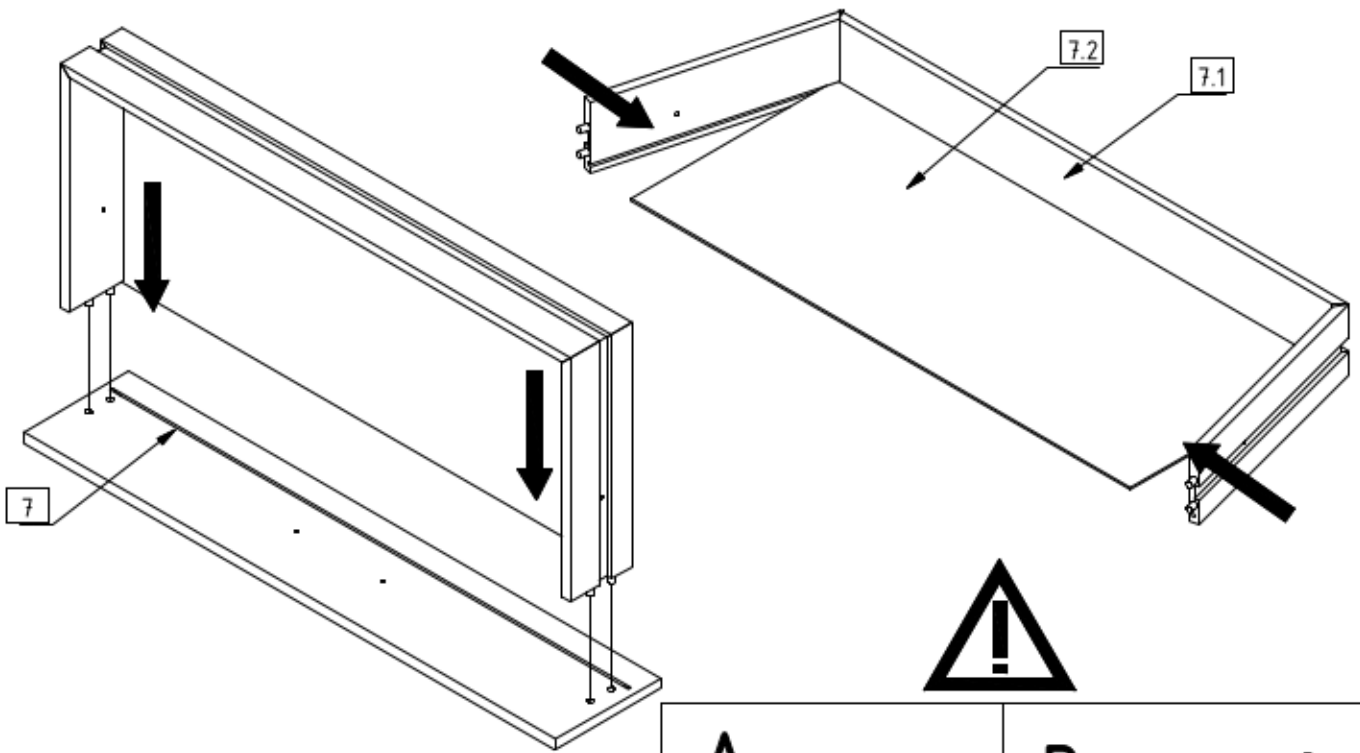
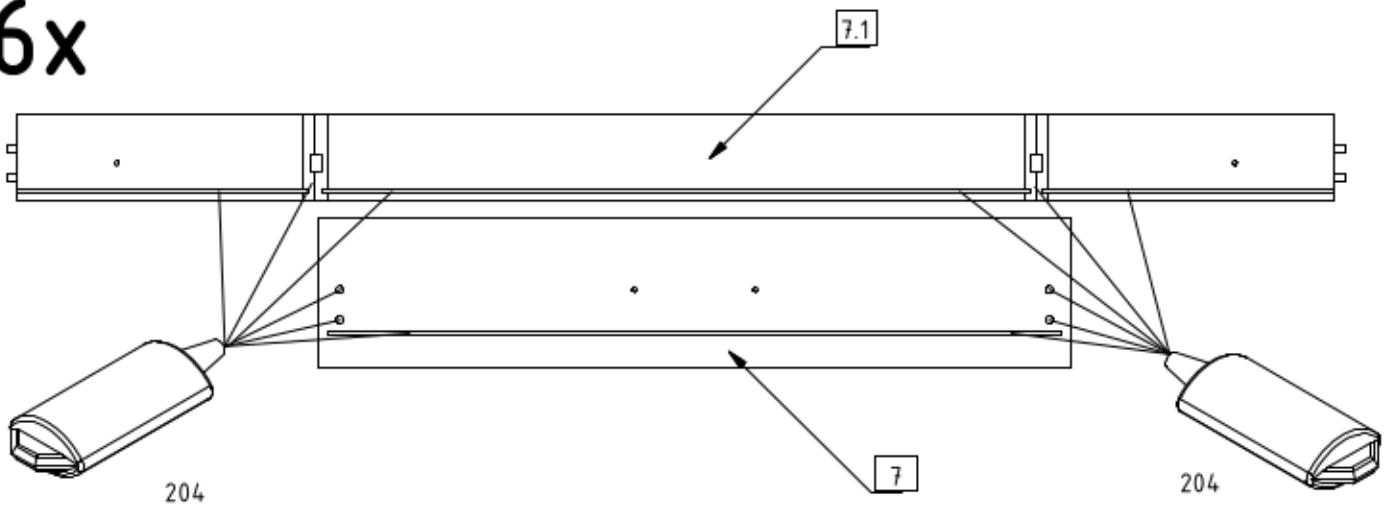


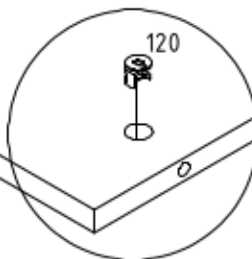
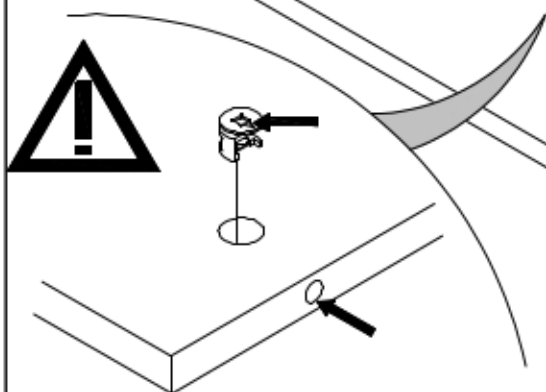
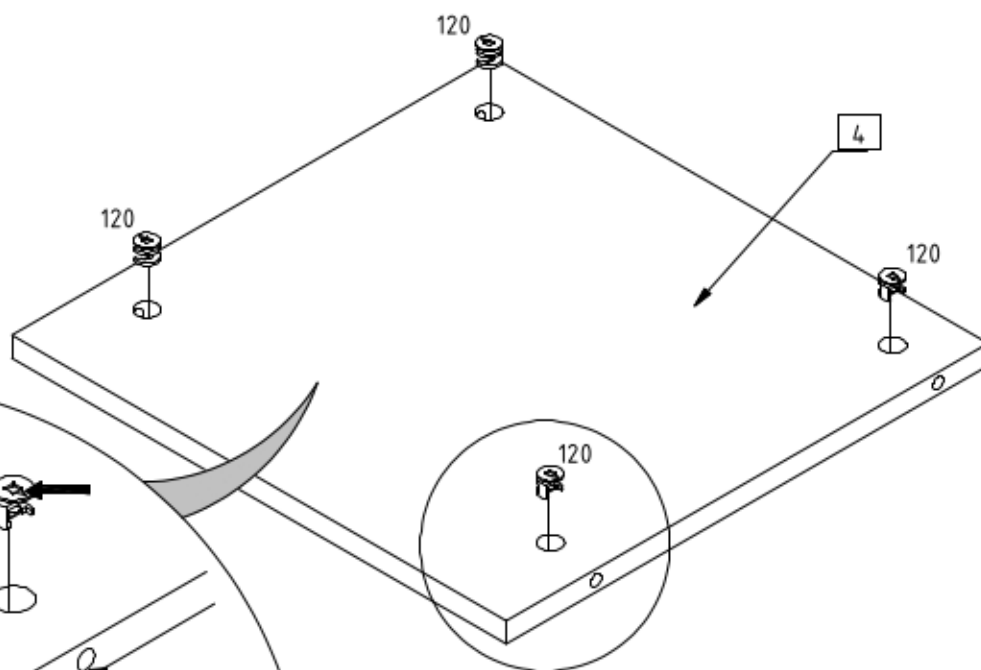
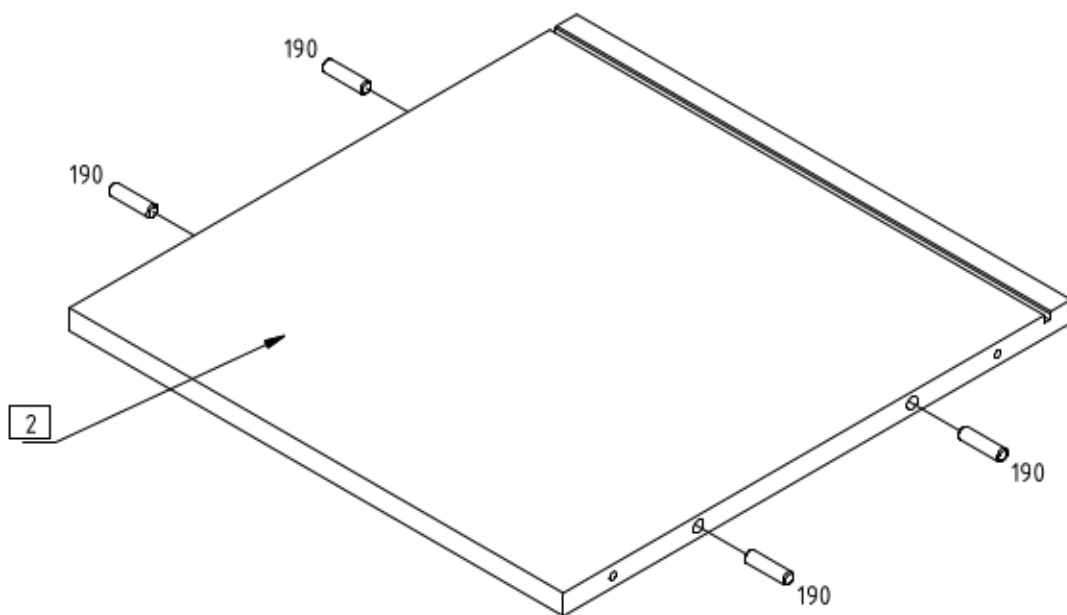
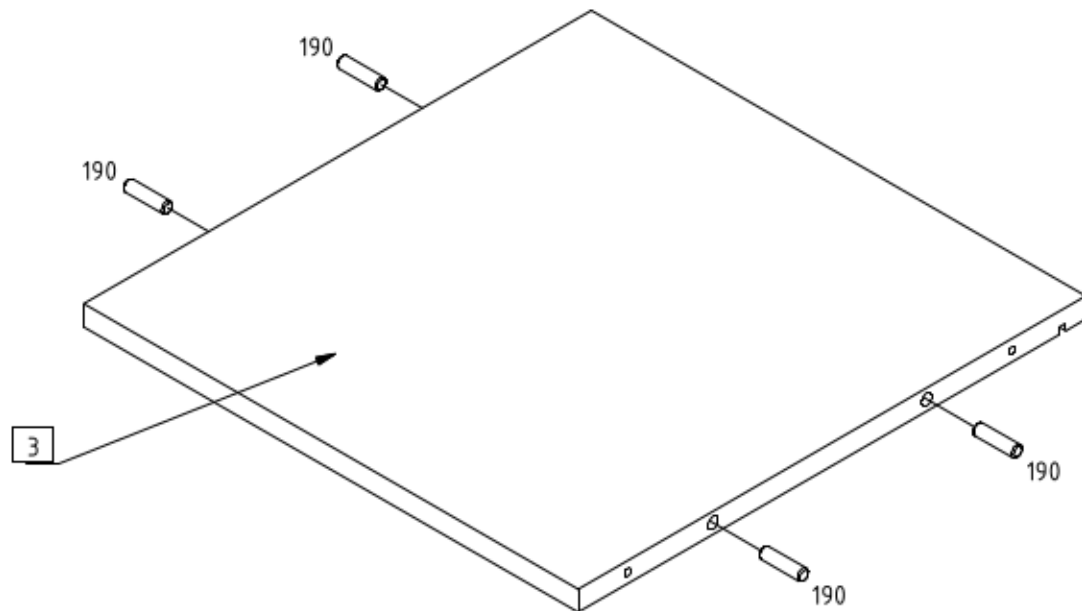


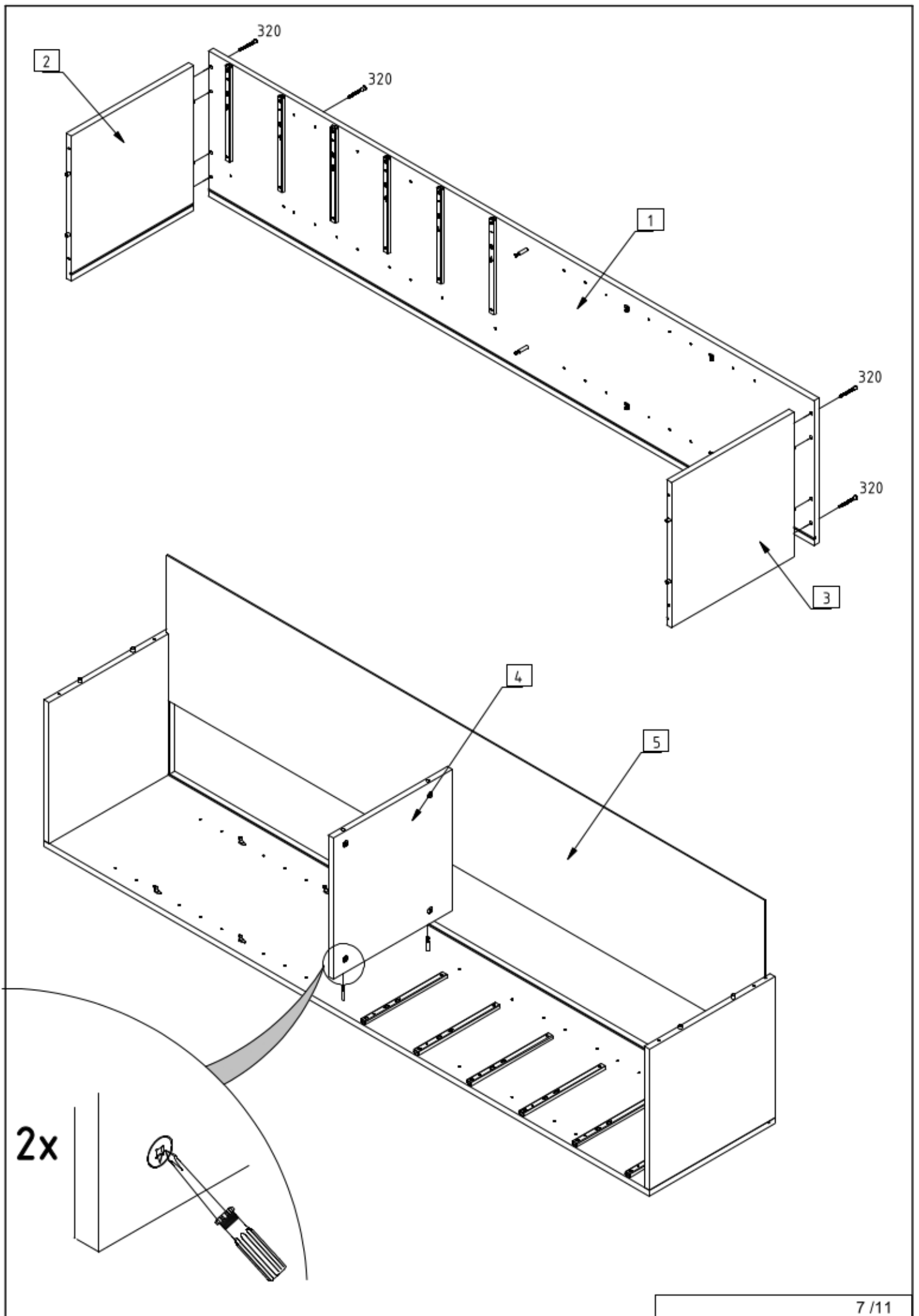


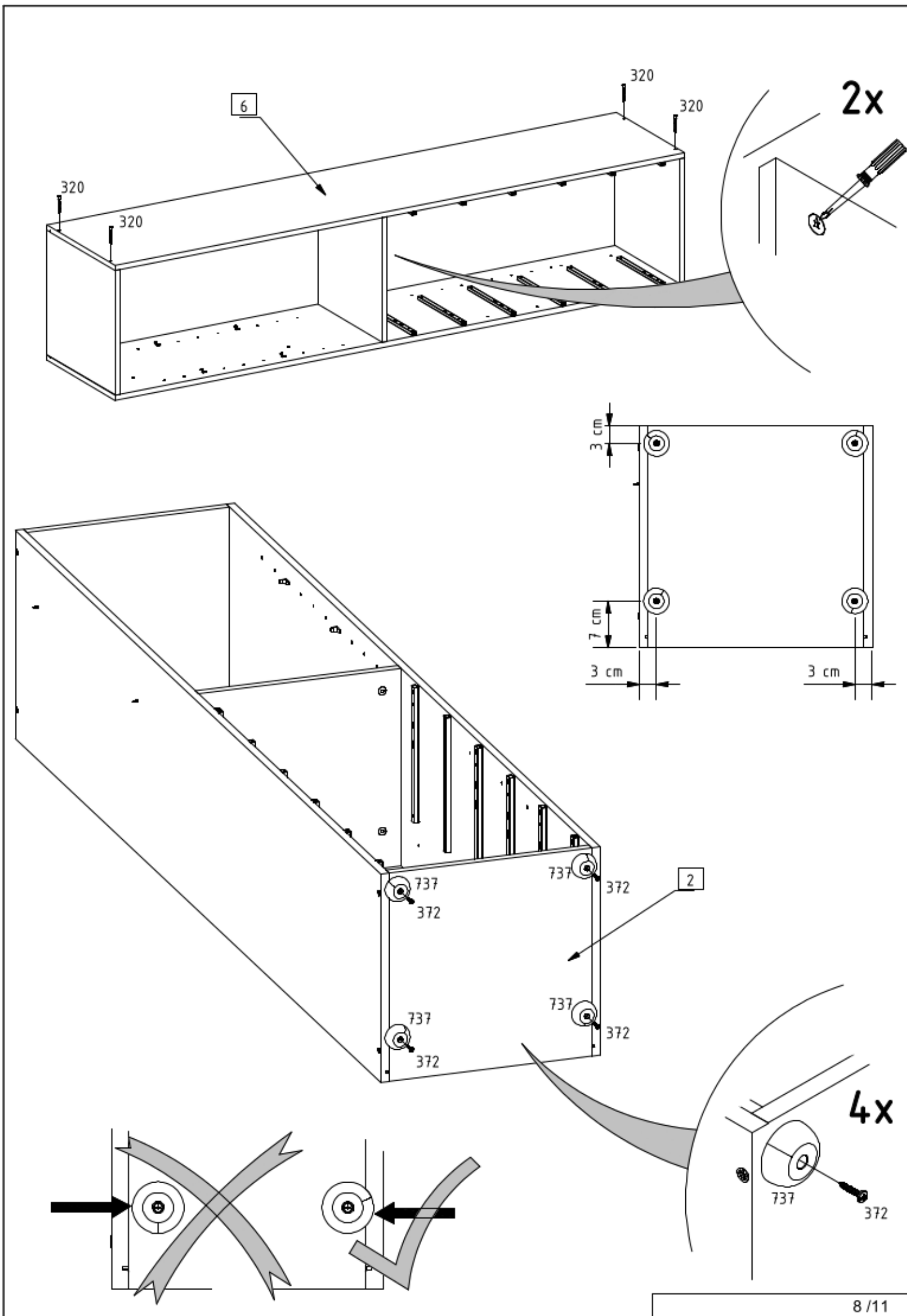
116	4		350	12	A	 4,0 x 25mm	
120	4		372	4		 4,0 x 20mm	
181	8		377	12	B	 4,0 x 25mm	
190	8	 $\varnothing 8 \times 30\text{mm}$	408	12		 M4 x 9mm	
204	6		516	6	A		
215	12		524	6	B		
220	10		737	4			
305	24	 6,3 x 9mm					
320	8	 6 x 50mm					
349	2	 3,5 x 25mm					

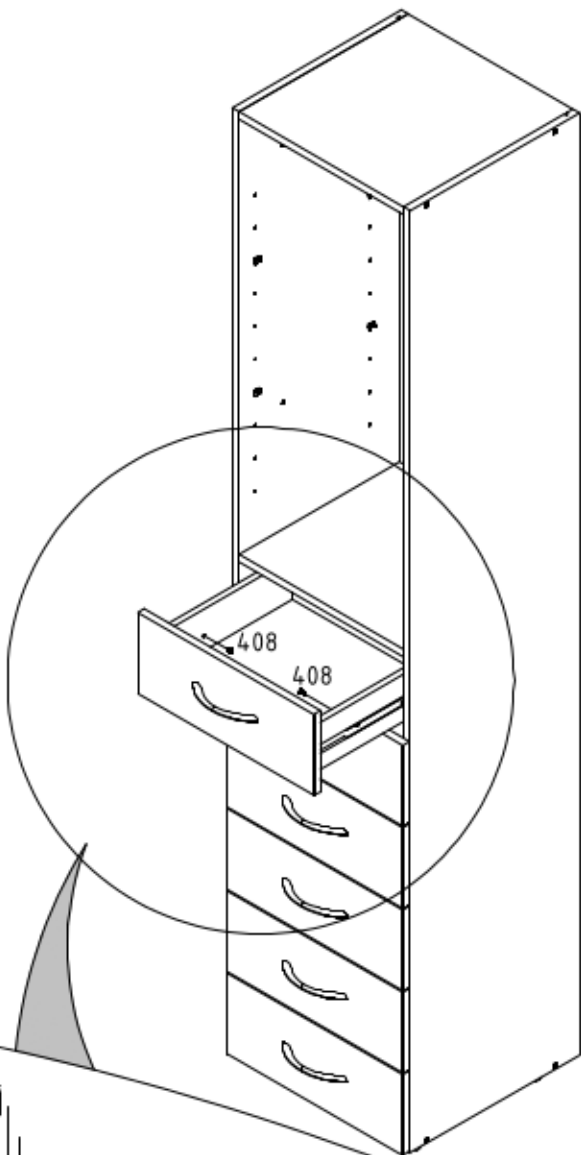
6x











6x

