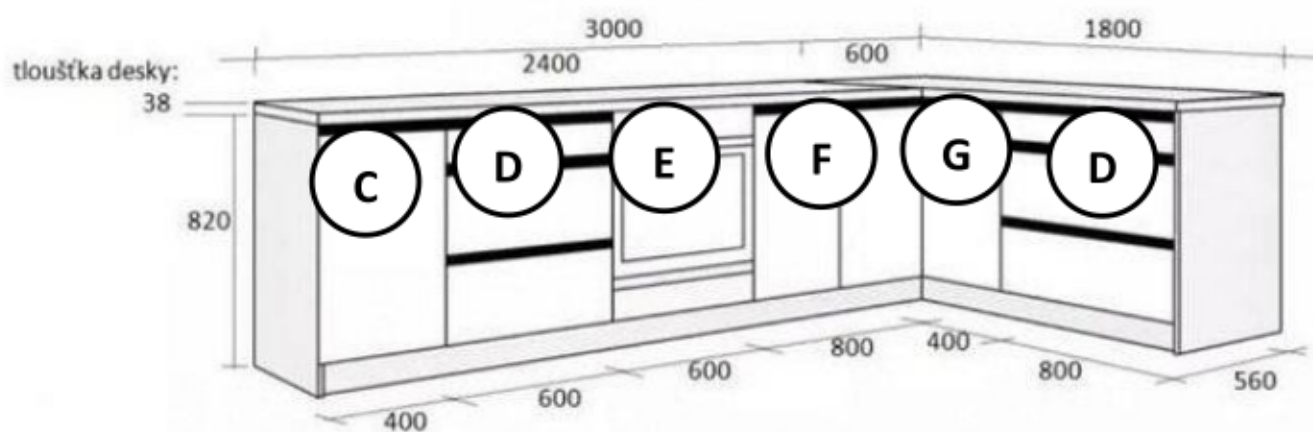
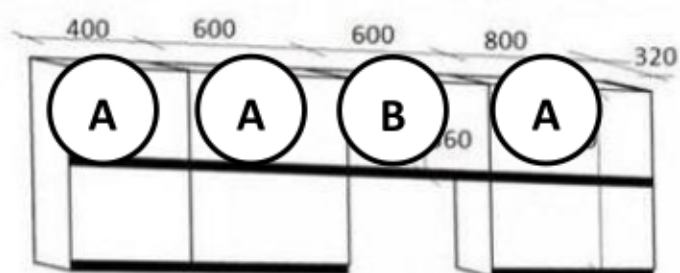
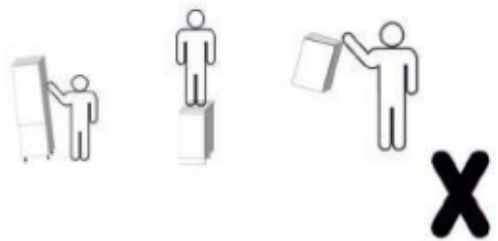
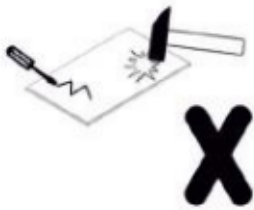
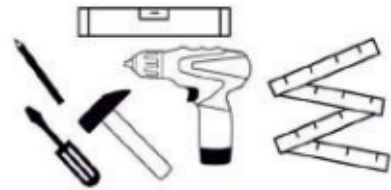
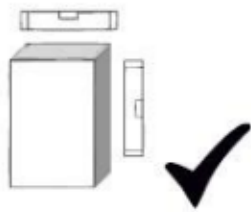
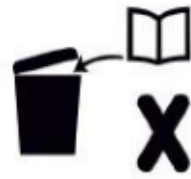
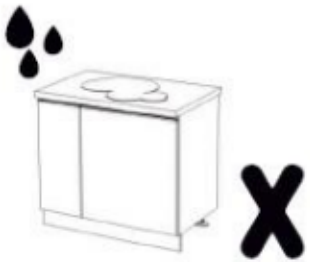
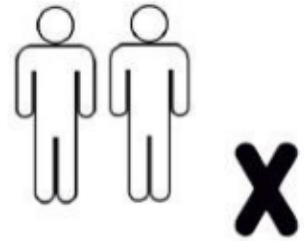
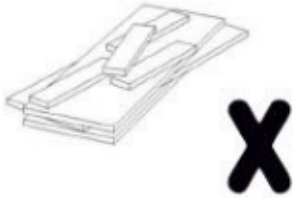
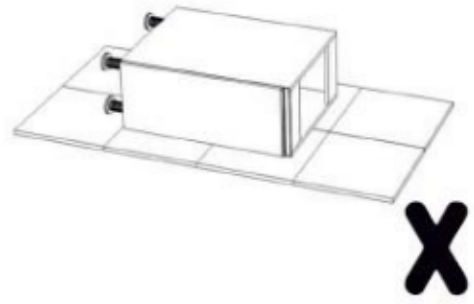
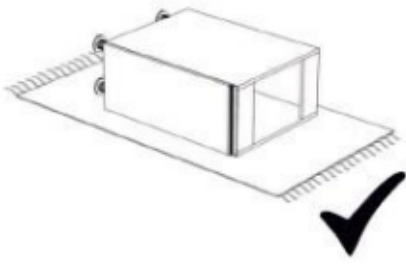


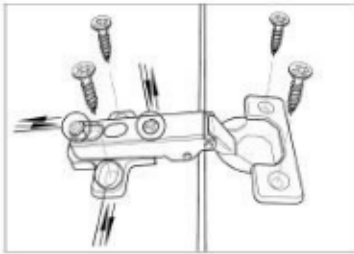
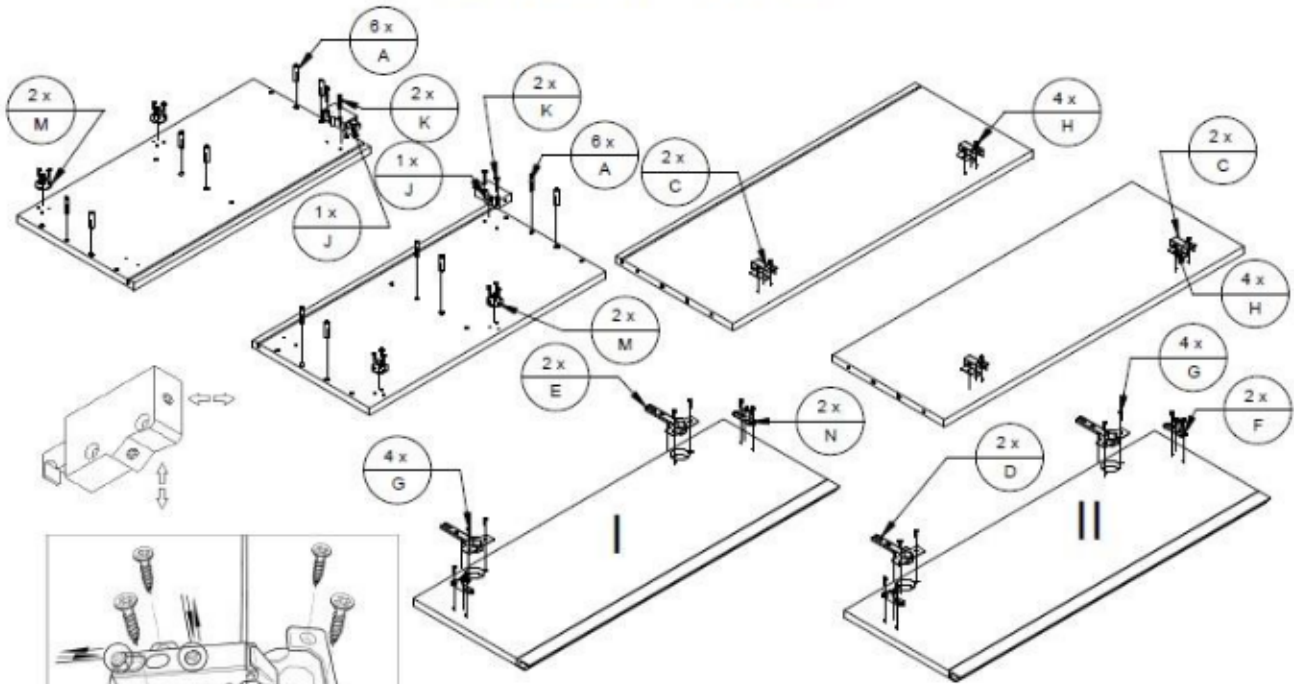
Rohová kuchyně Brick Light 300x182



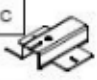








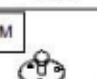


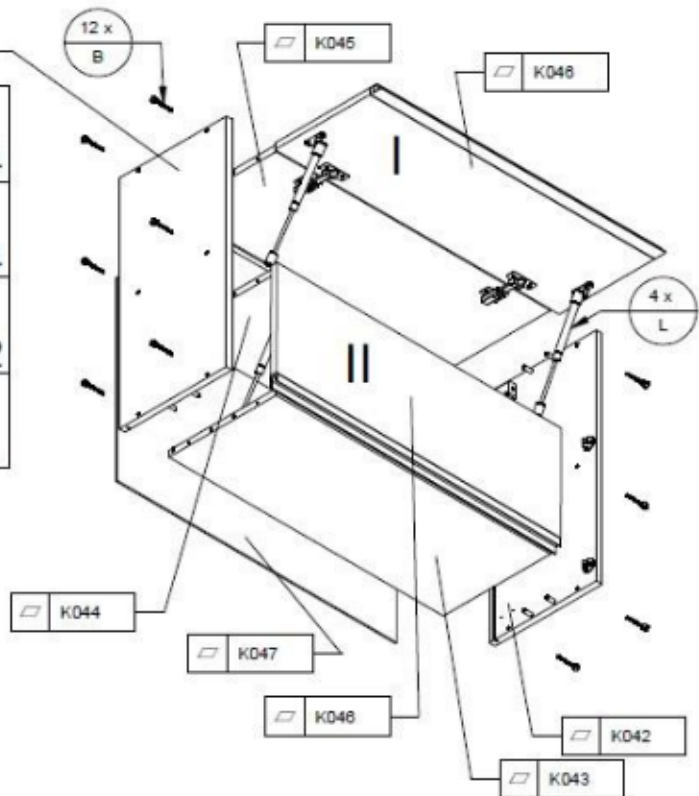


A

G60u/80u

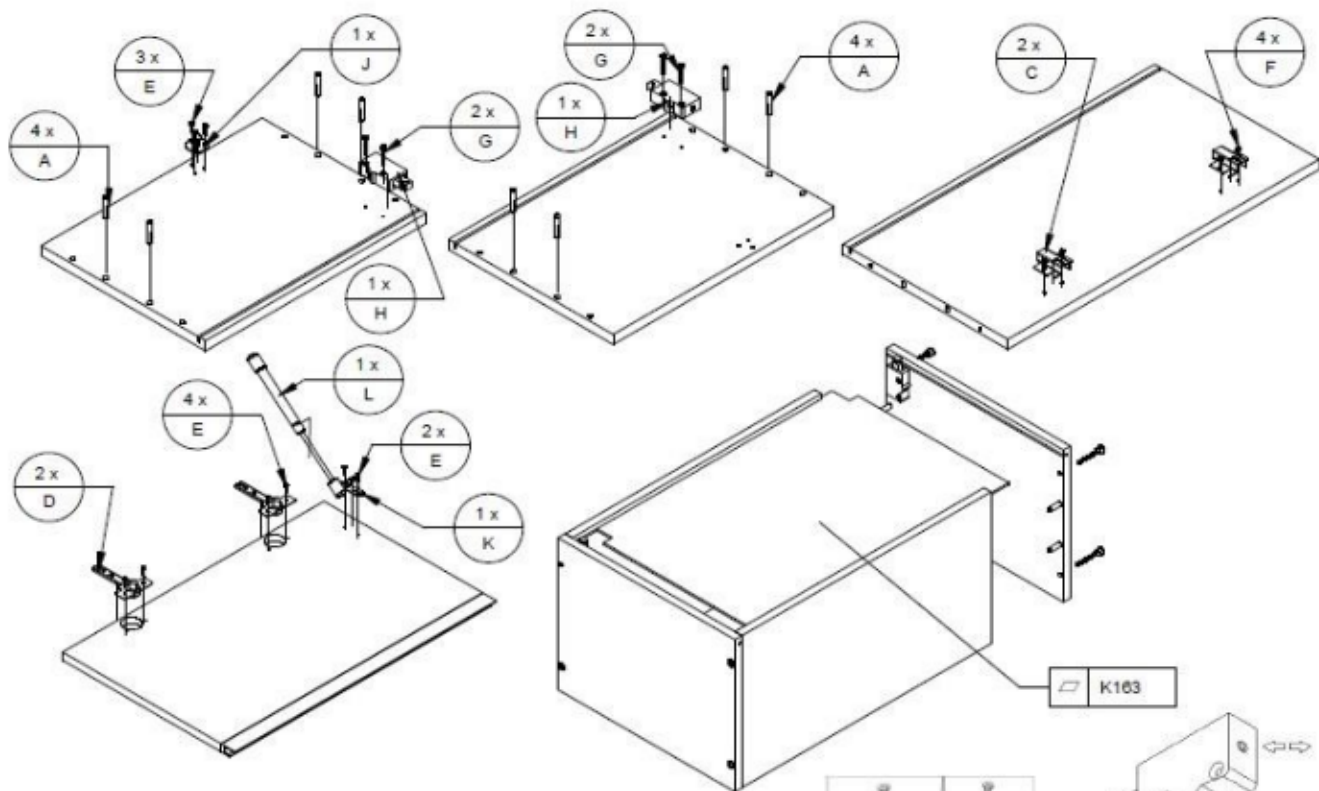


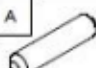




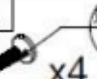





A	B	C
 x12	 x12	 x4
D	E	F
 x2	 x2	 x4
G	H	J
 $\varnothing 3.5$ x8	 $\varnothing 4$ x8	 x2
K	L	M
 $\varnothing 4$ x30	 x4	 x4

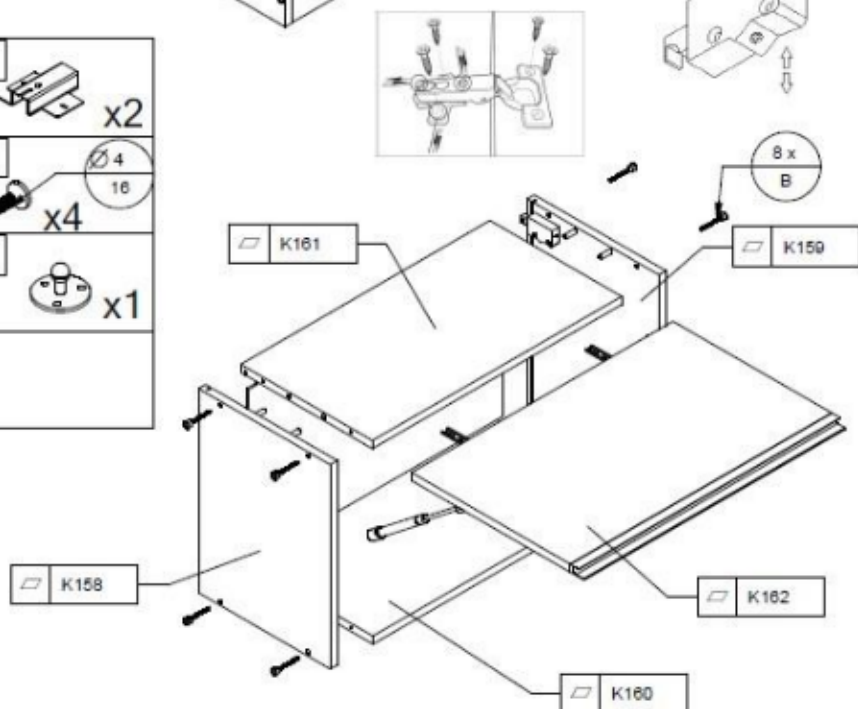


B

G50/60 ok

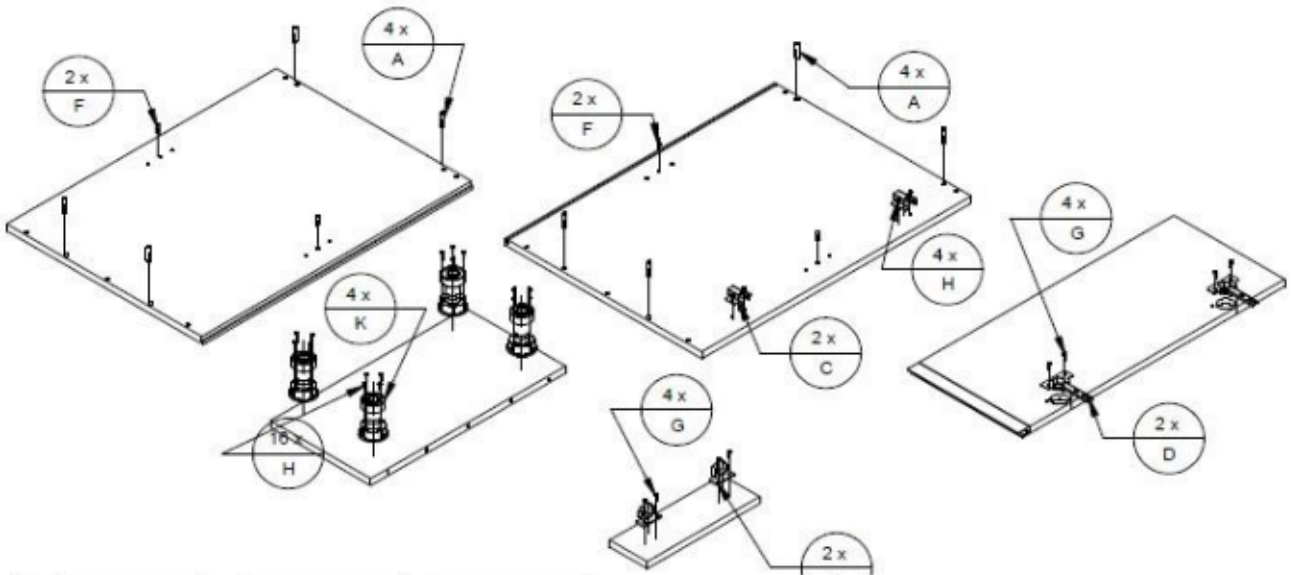


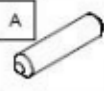

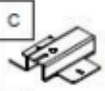







A	B	C
 x8	 x8	 x2
D	E	F
 x2	 x9	 x4
G	H	J
 x4	 x2	 x1
K	L	
 x1	 x1	

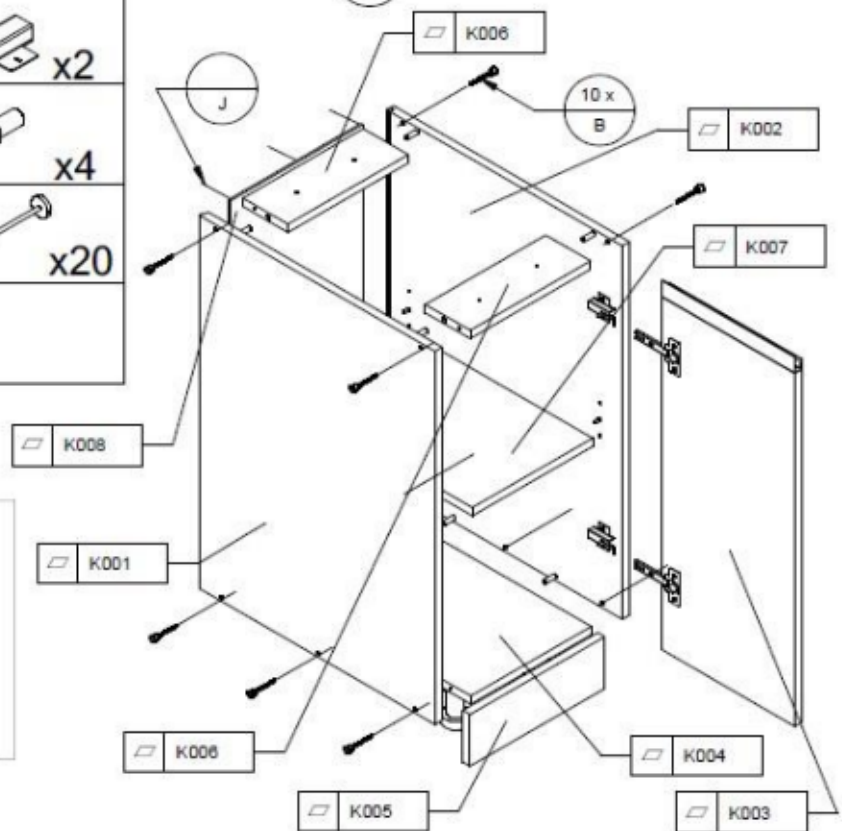
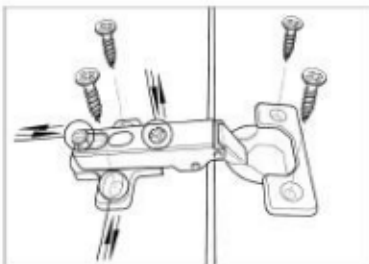




D 30/40/60 1F

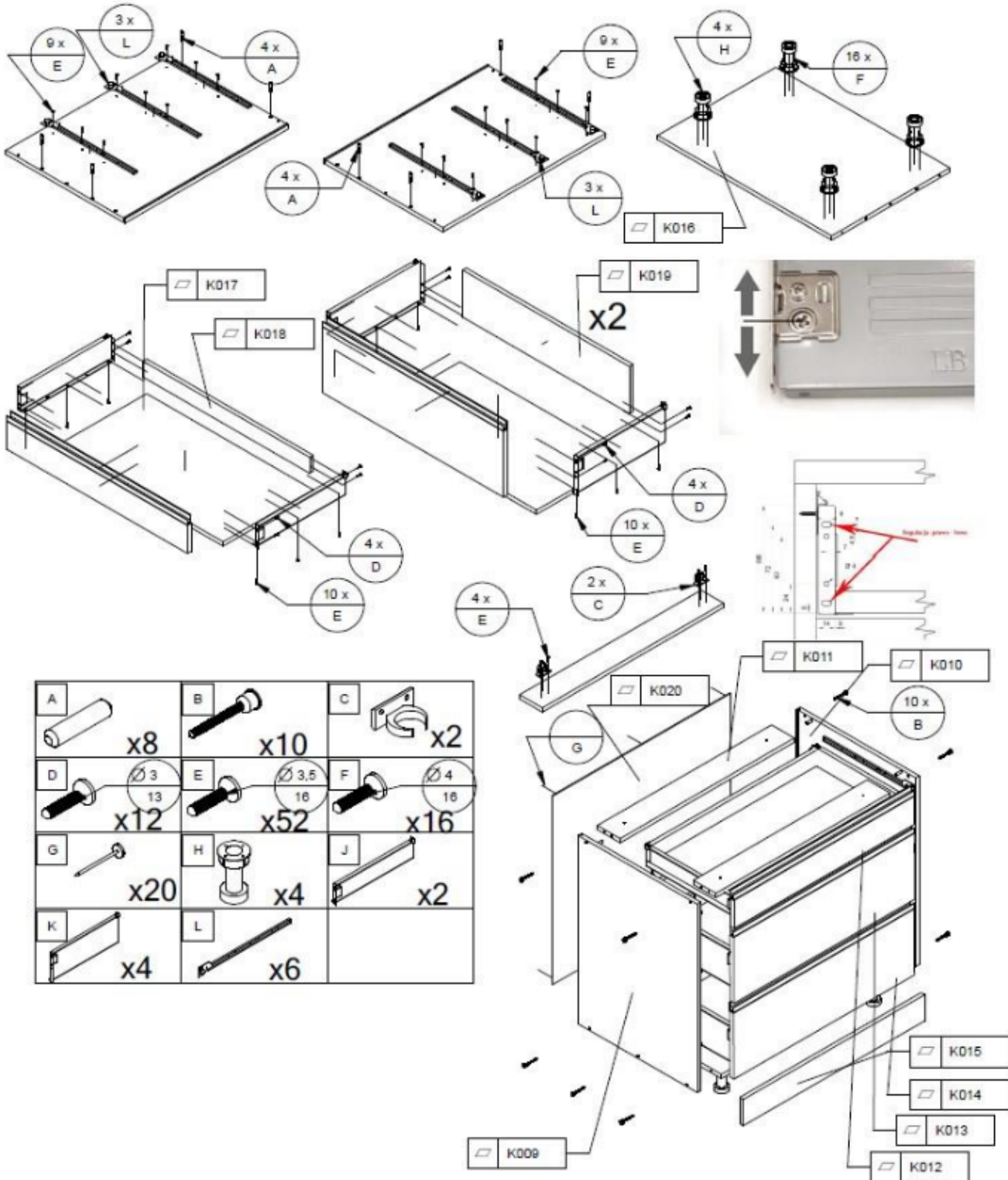


A	B	C
 x8	 x10	 x2
D	E	F
 x2	 x2	 x4
G	H	J
 x8	 x20	 x20
K		
 x4		



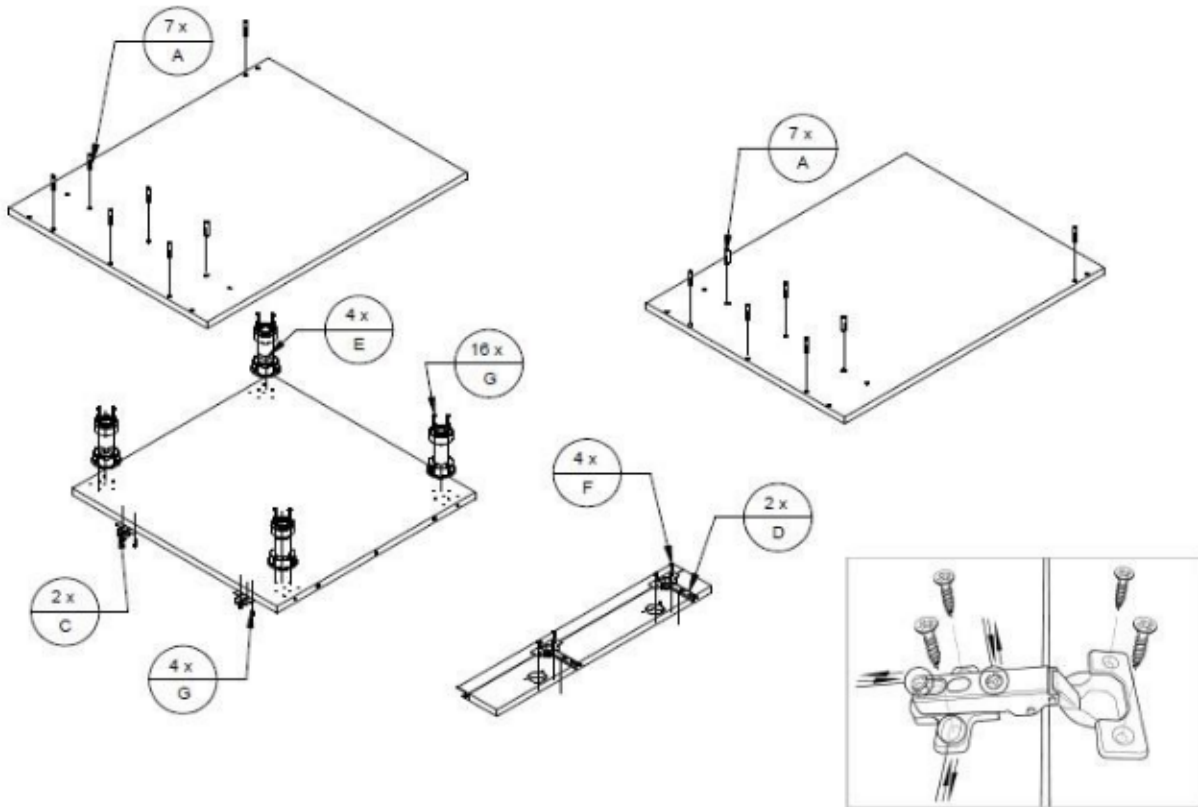
D

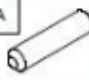




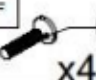

D 60 3sz/80 3sz

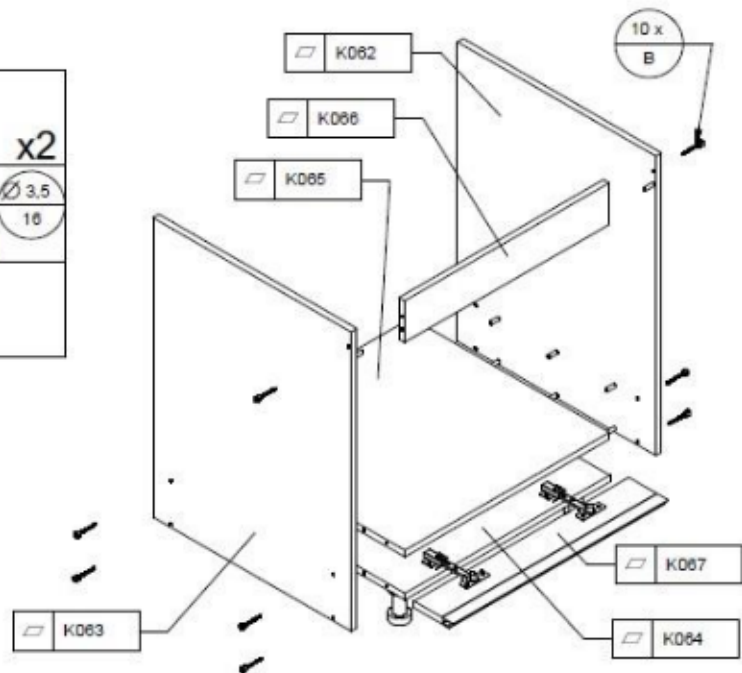


E

D 60 ku

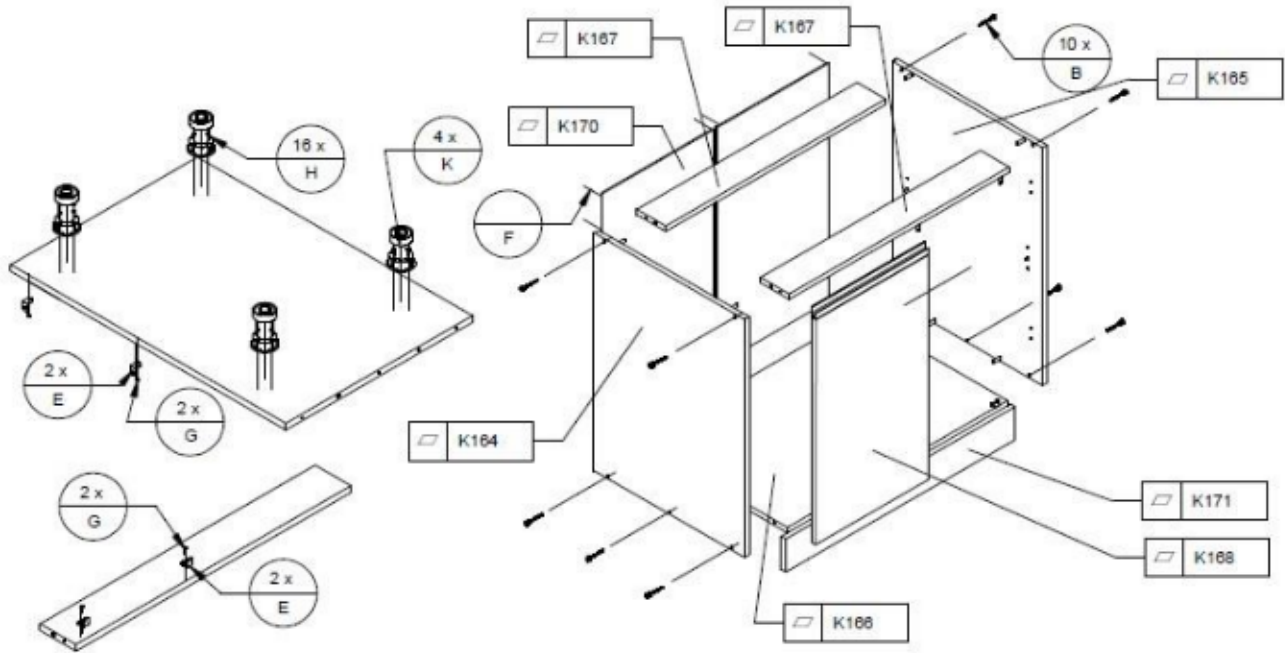
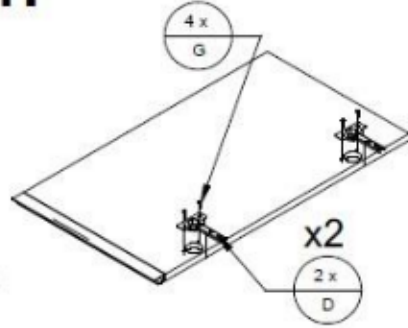
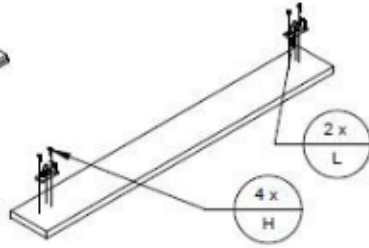
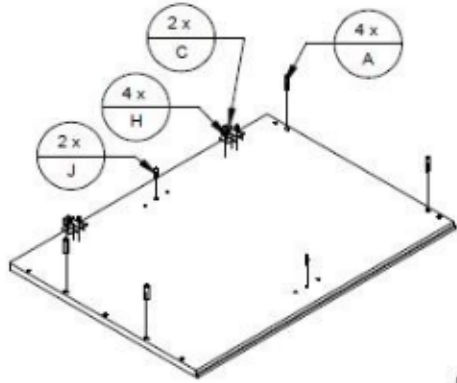


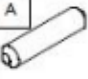










A	 x14	B	 x10	C	 x2
D	 x2	E	 x4	F	 x4 $\begin{matrix} \text{3,5} \\ \text{16} \end{matrix}$
G	 x20 $\begin{matrix} \text{4} \\ \text{16} \end{matrix}$				



G

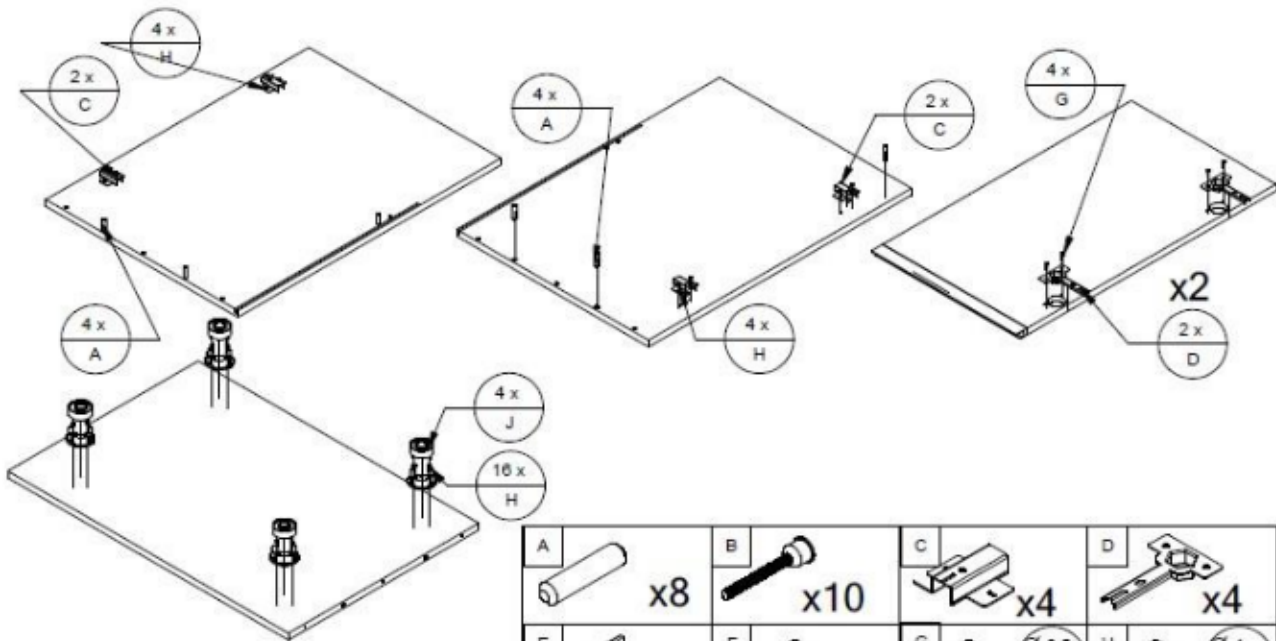
D 80zaśl.

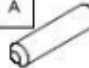










A	 x8	B	 x10	C	 x2	D	 x2	E	 x4
F	 x35	G	 3.5 x 16 x12	H	 4 x 16 x24	J	 x4	K	 x4
L	 x2								

F

D 80zi



A	 x8	B	 x10	C	 x4	D	 x4
E	 x2	F	 x10	G	 $\varnothing 3,5$ 16 x12	H	 $\varnothing 4$ 16 x8
J	 x4						

