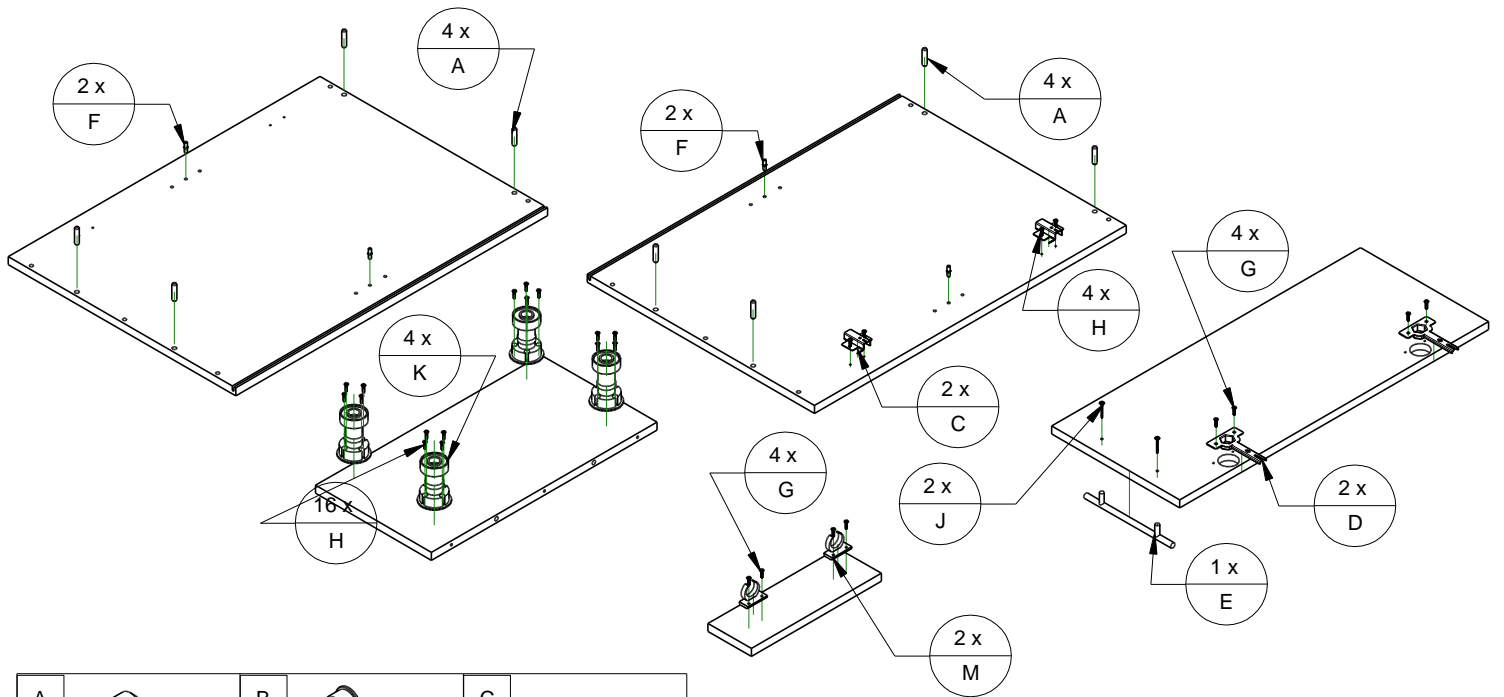
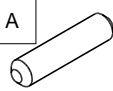
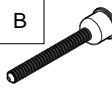

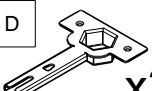
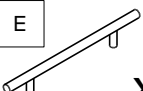
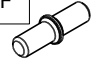
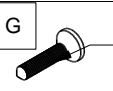
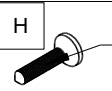
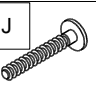
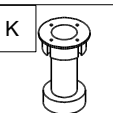
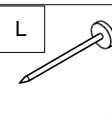
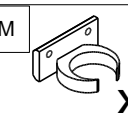
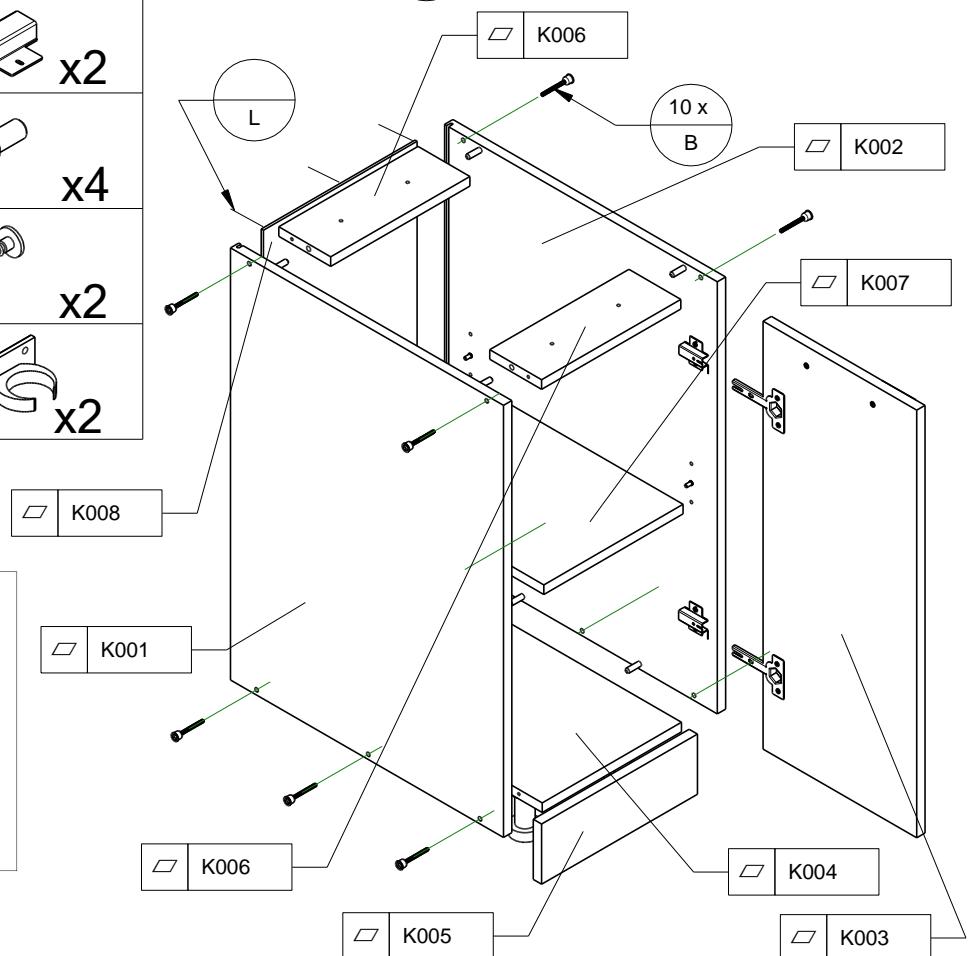
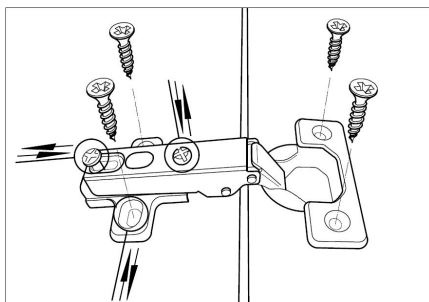


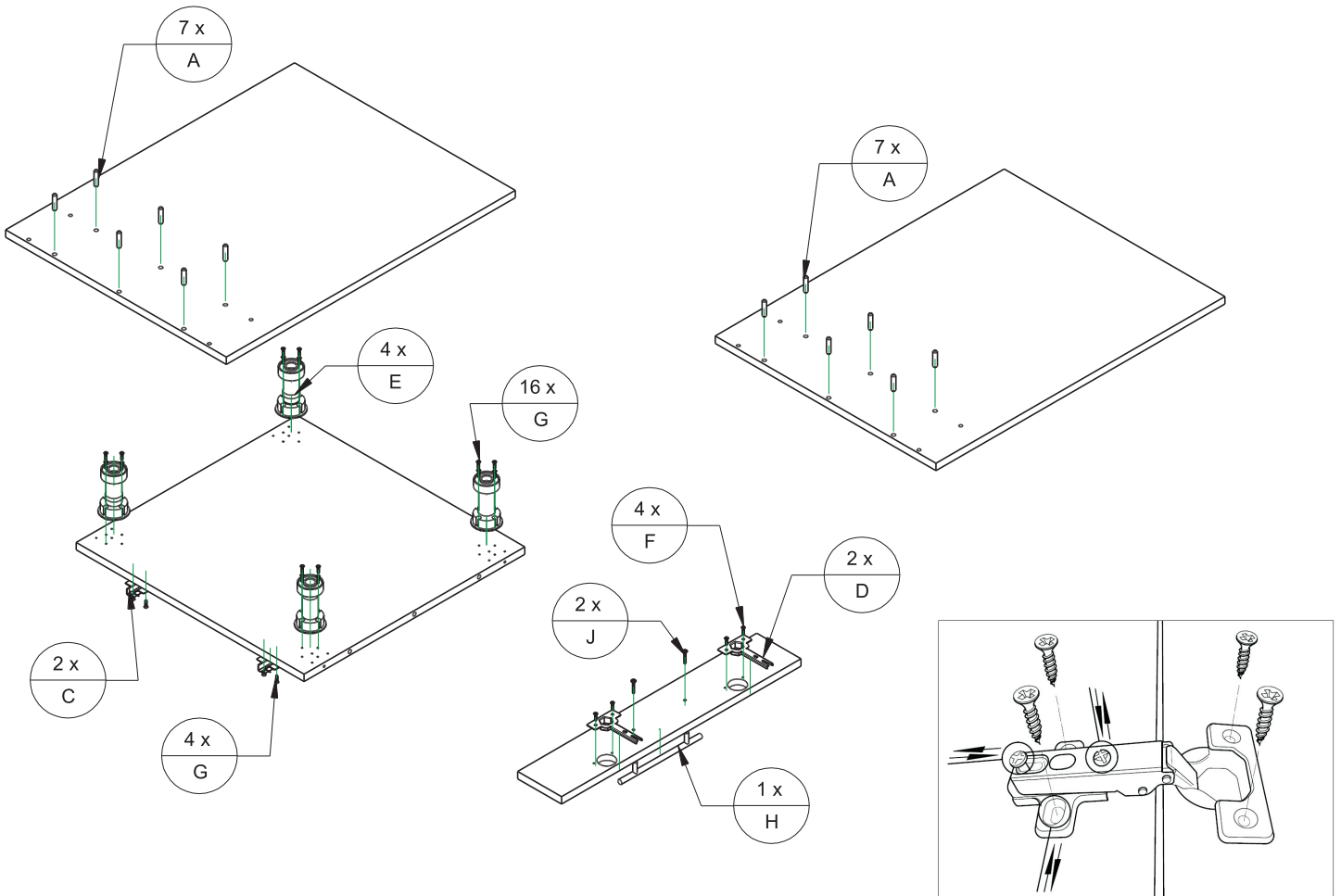
# D 30/40/60 1F

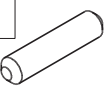


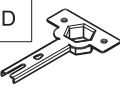

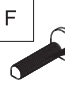


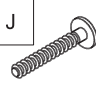


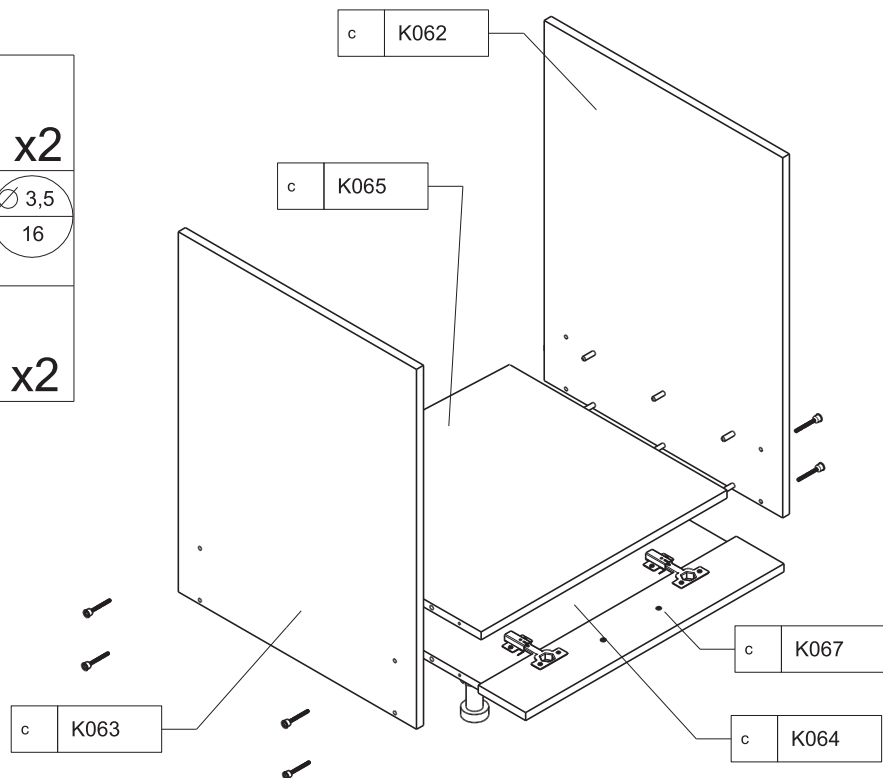
A		x8	B		x10	C		x2
D		x2	E		x1	F		x4
G		$\varnothing 3,5$ x8	H		$\varnothing 4$ x20	J		x2
K		x4	L		x20	M		x2



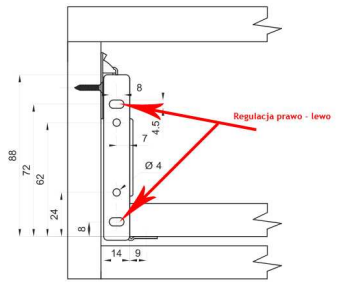
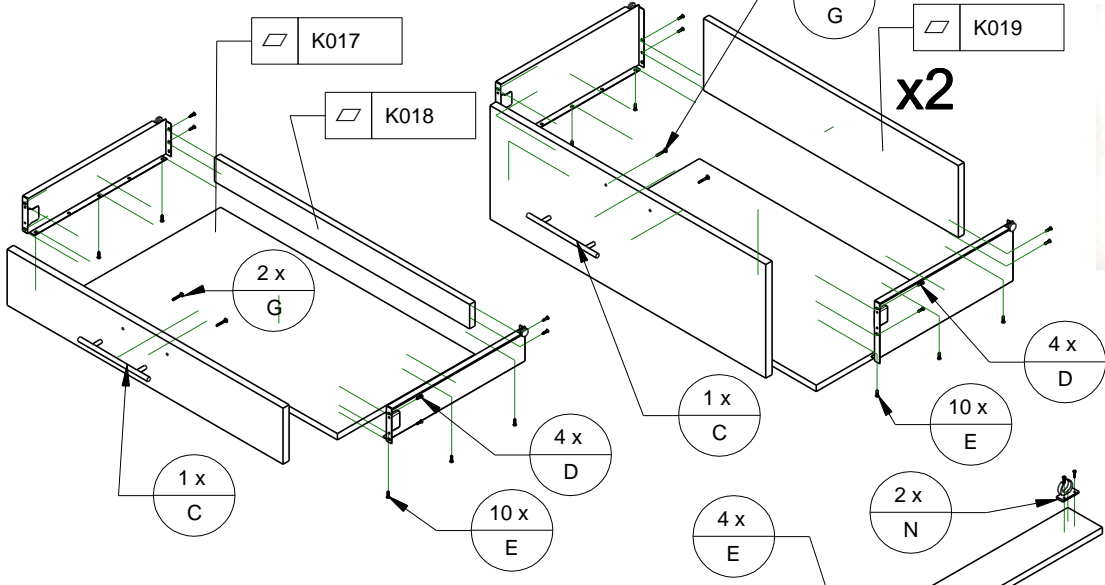
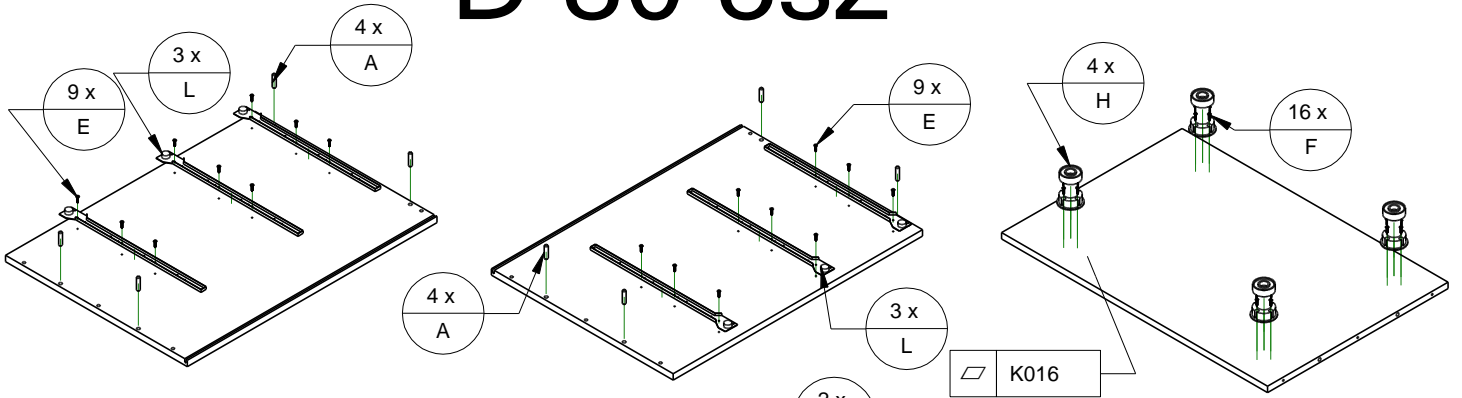
# D 60 ku


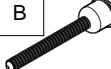

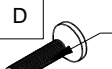


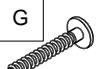
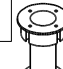






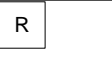


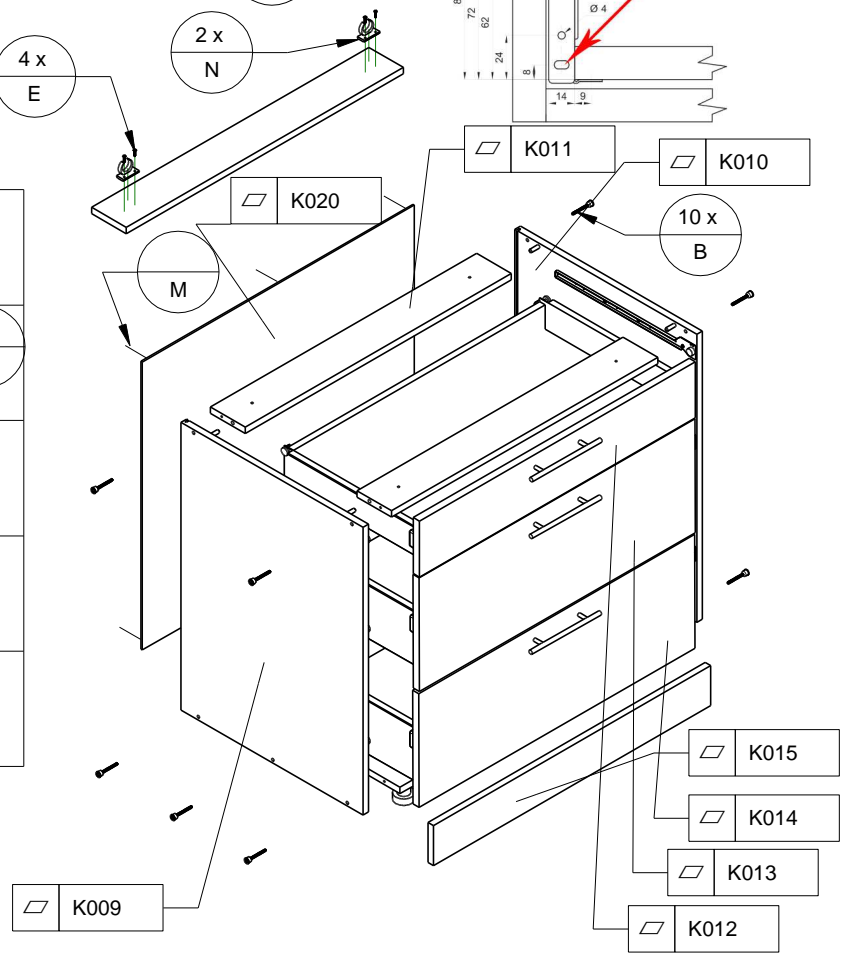
A		B		C	
	x14		x10		x2
D		E		F	
	x2		x4		$\varnothing 3,5$ 16 x4
G		H		J	
	$\varnothing 4$ 16 x20		x1		x2



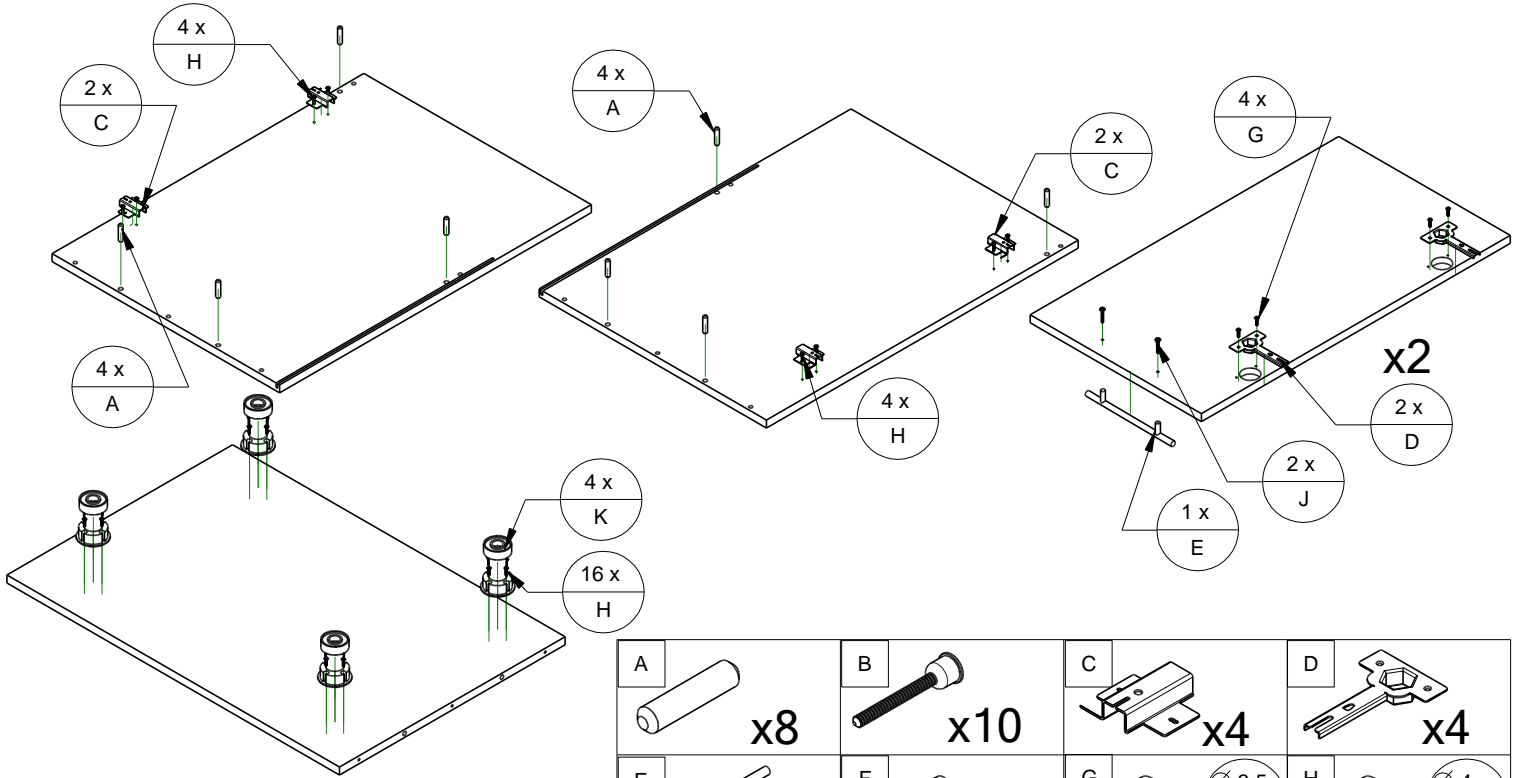
# D 80 3sz

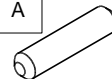
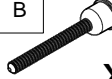
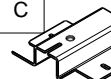
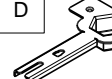




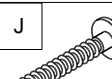
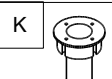
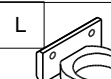


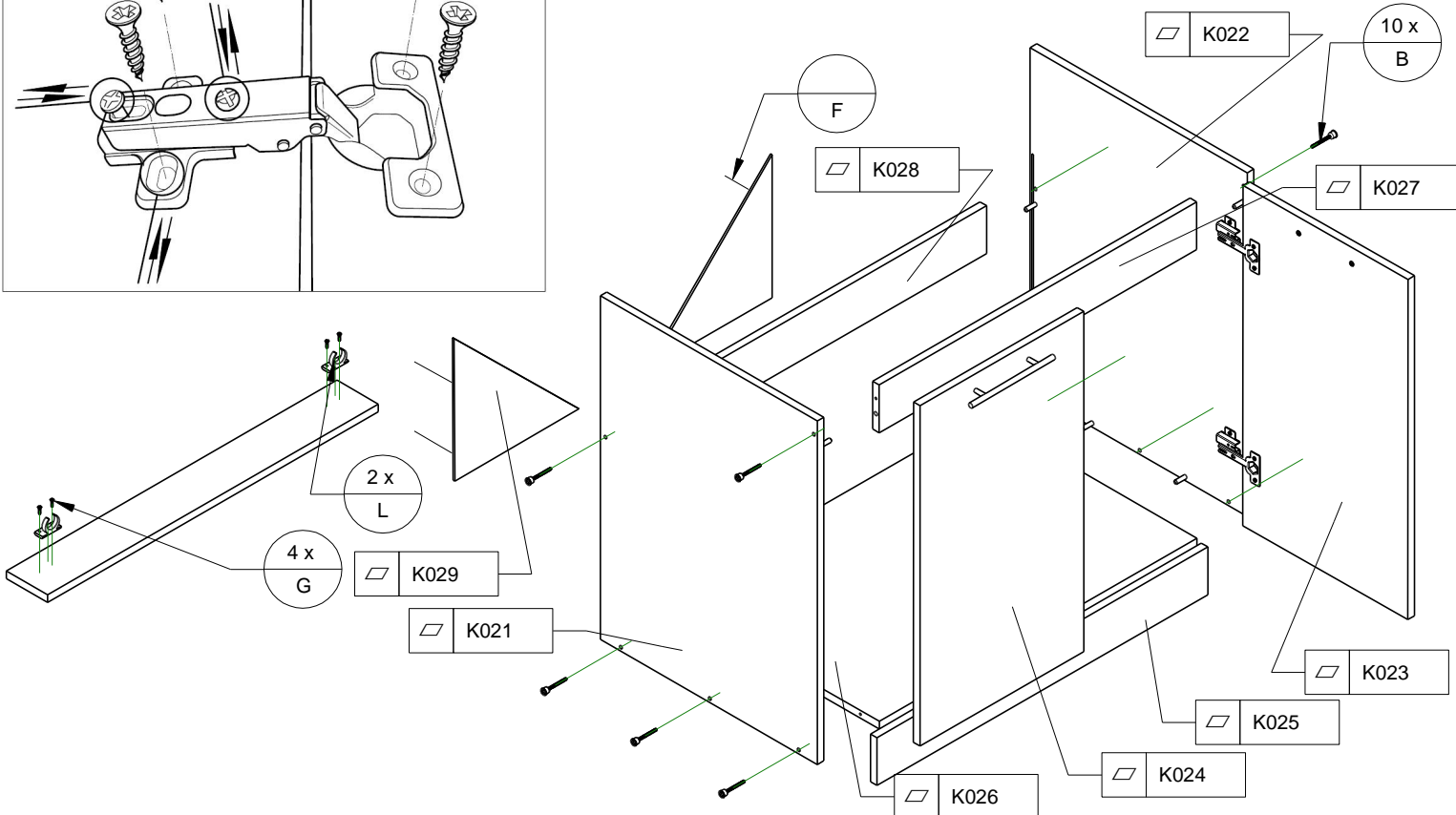
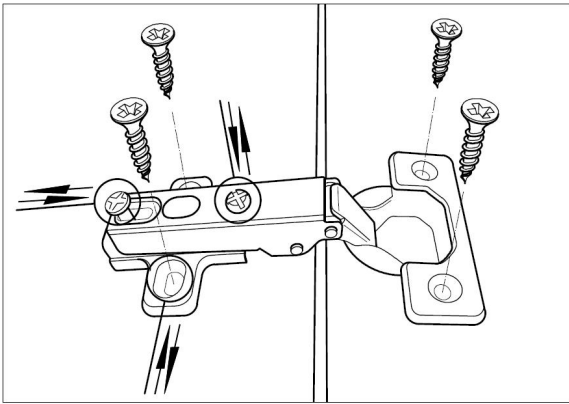
A	B	C
		
x8	x10	x3
D	E	F
		
x12	x52	x16
G	H	J
		
x6	x4	x2
K	L	M
		
x4	x6	x20
N	P	R
		
x2		



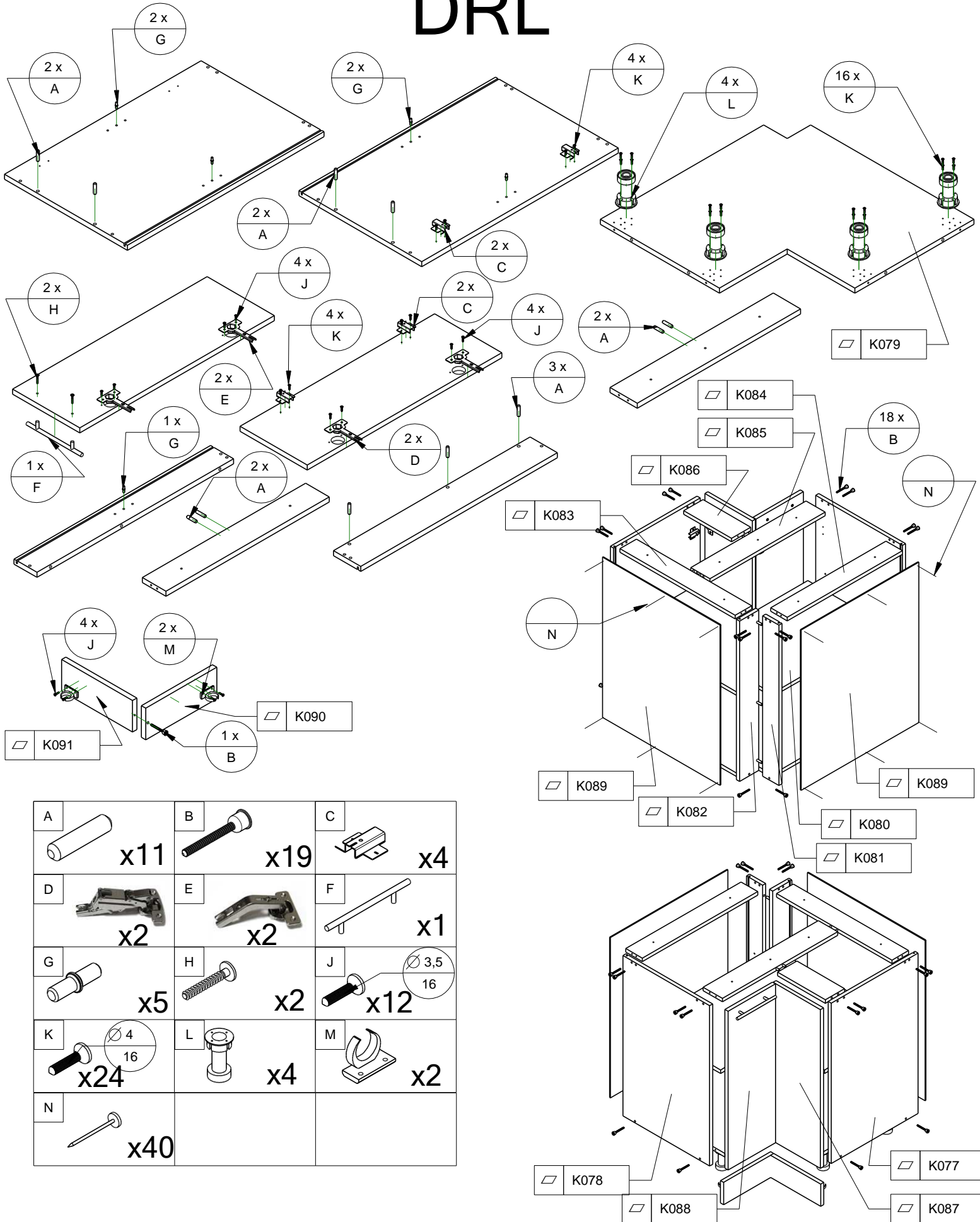
# D 80zi

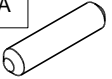




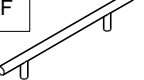
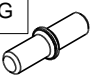
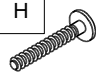
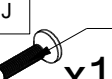

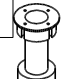

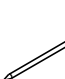


A	 x8	B	 x10	C	 x4	D	 x4
E	 x2	F	 x10	G	 $\varnothing 3,5$ 16 x12	H	 $\varnothing 4$ 16 x8
J	 x4	K	 x4	L	 x2	M	

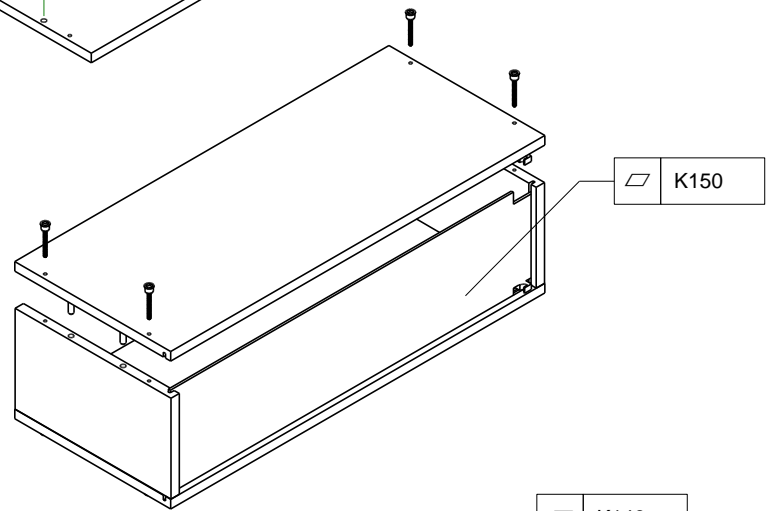
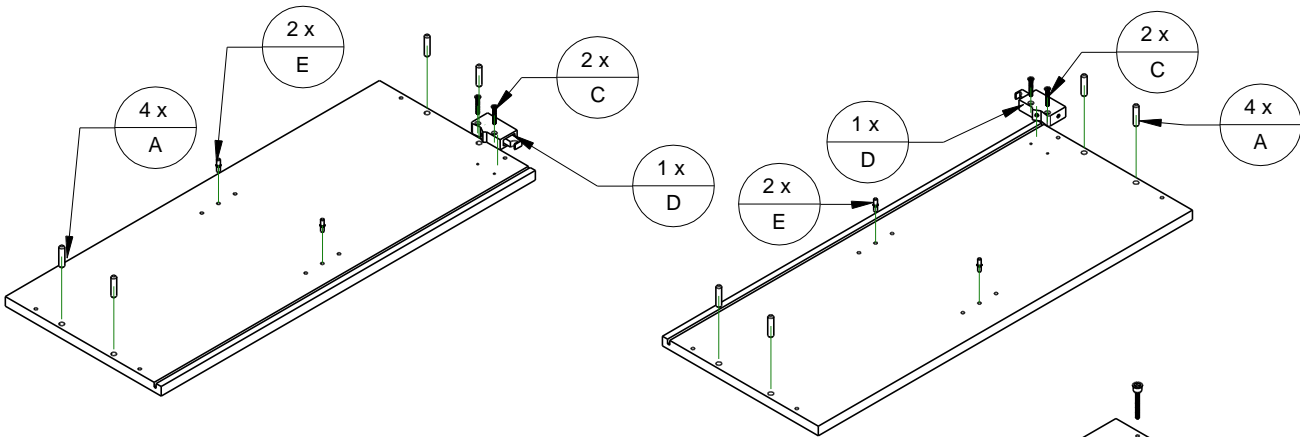


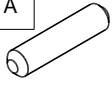


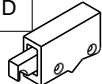
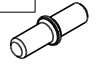
# DRL

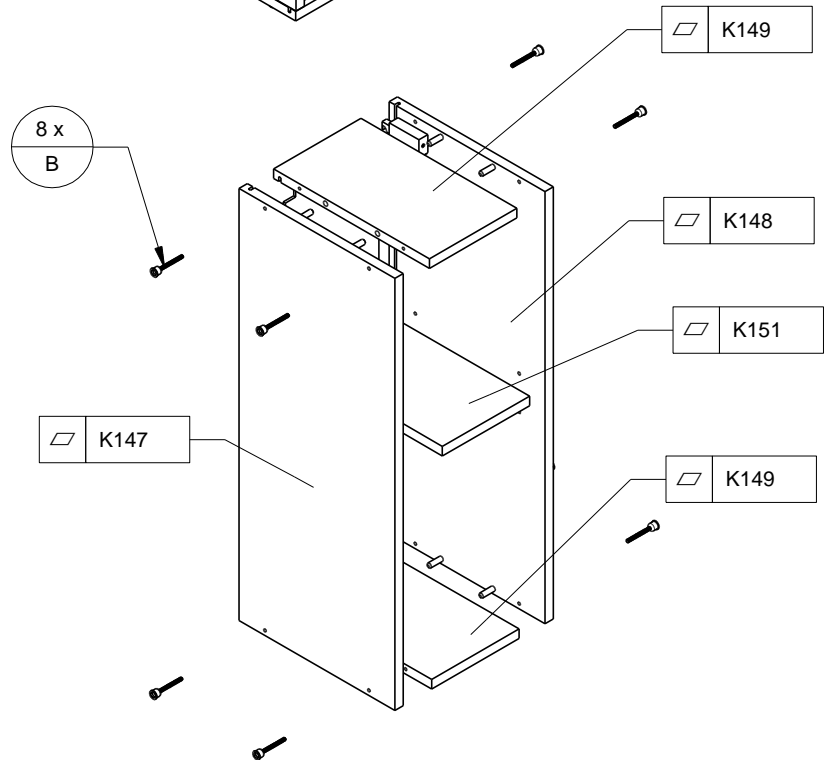


A	B	C
		
x11	x19	x4
D	E	F
		
x2	x2	x1
G	H	J
		
x5	x2	x12
K	L	M
		
x24	x4	x2
N		
		
x40		

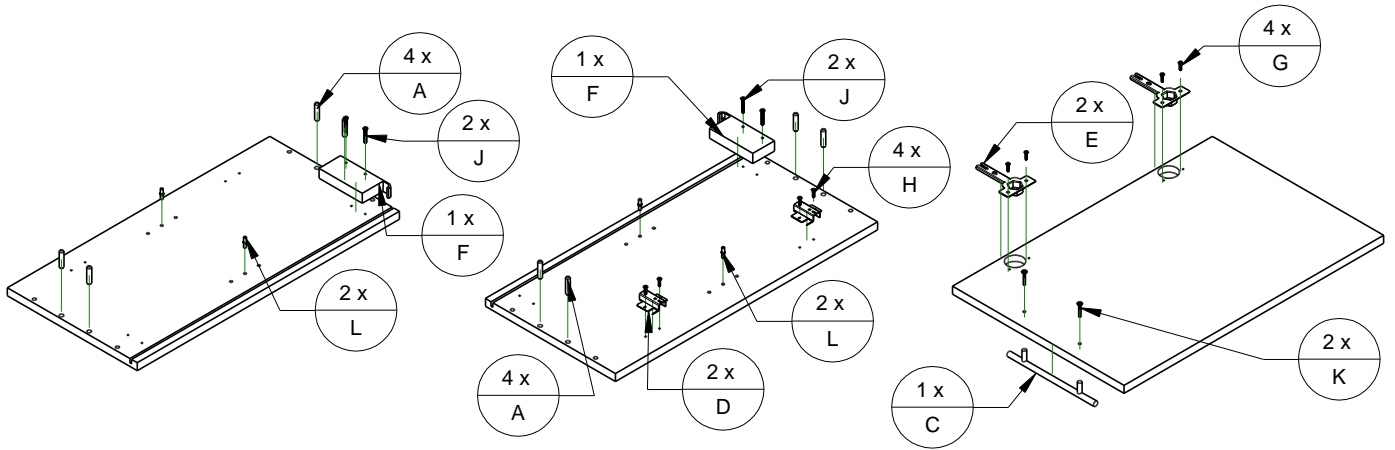
# G 15/20 otw

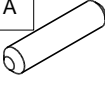
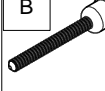
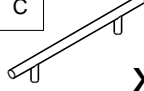
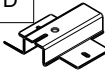
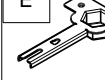
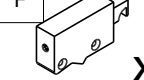
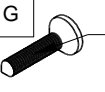
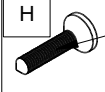
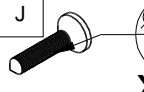
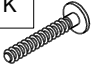
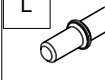


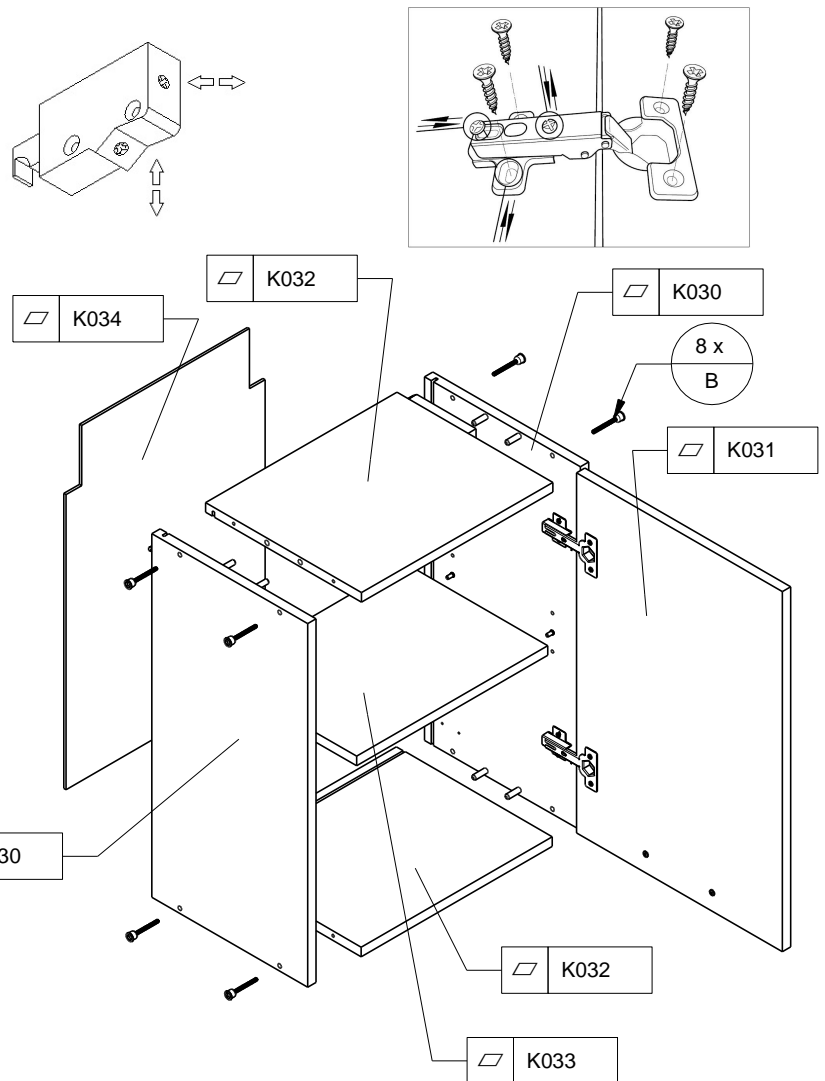
A		B	
	x8		x8
C		D	
	x4		x2
E		F	
	x4		



# G30/40/60 1F



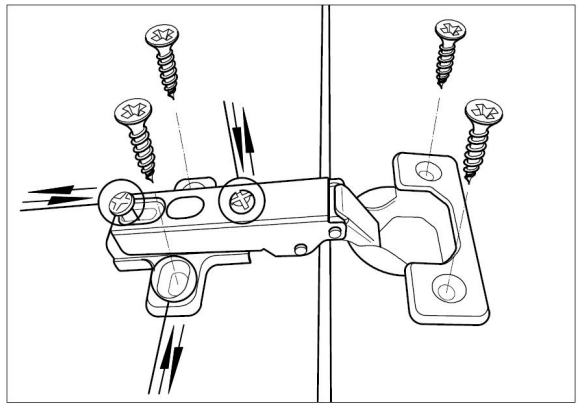
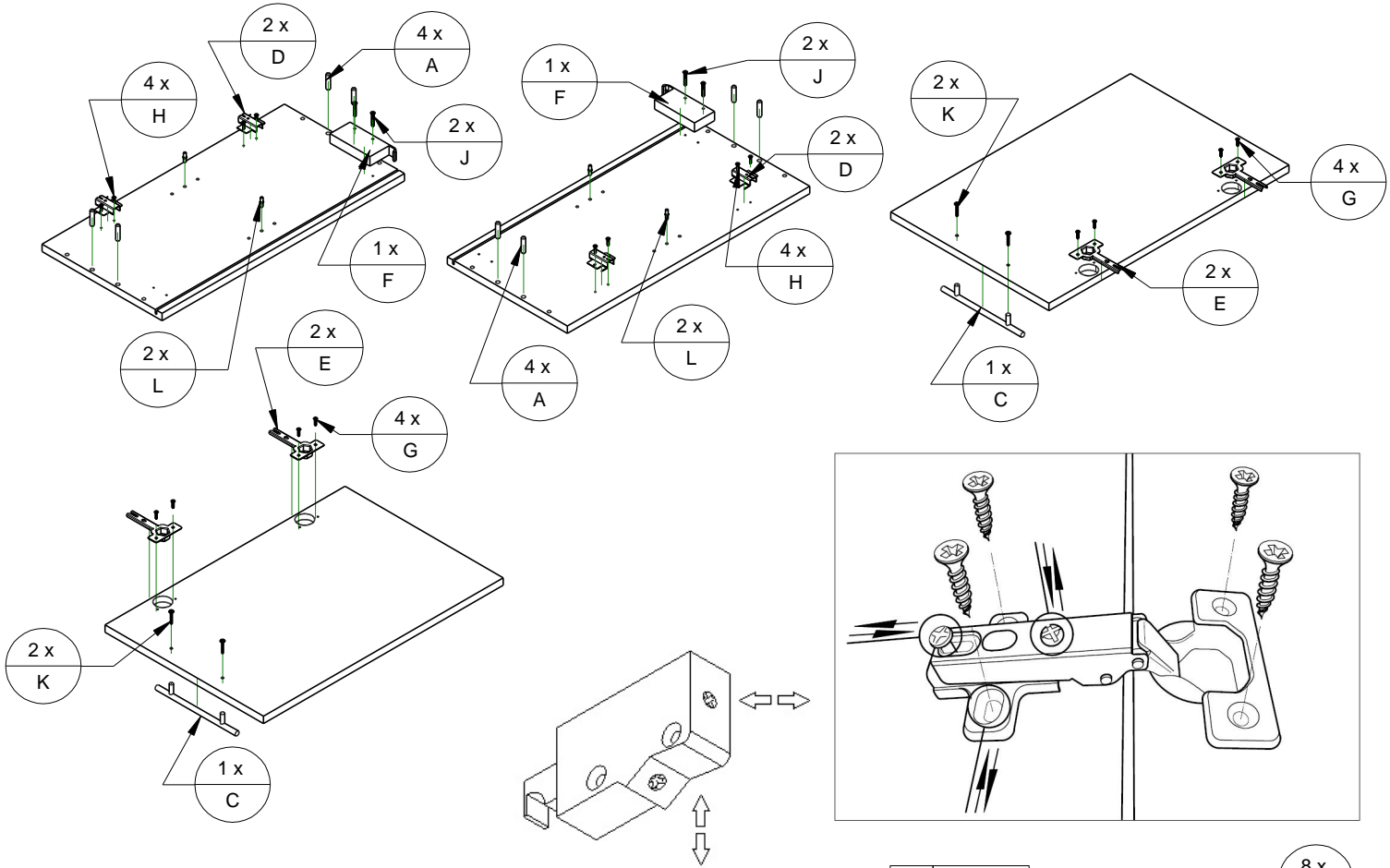
A		x8	B		x8	C		x1			
D		x2	E		x2	F		x2			
G		$\varnothing 3,5$ 16	x4	H		$\varnothing 4$ 16	x4	J		$\varnothing 4$ 30	x4
K		x2	L		x4	M					

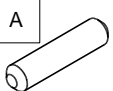
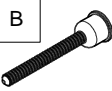
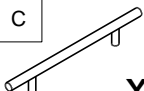


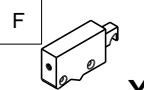

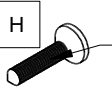
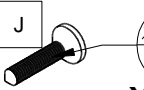
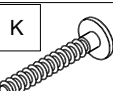
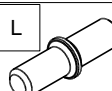






# G80



A	B	C
 x8	 x8	 x2
D	E	F
 x4	 x4	 x2
G	H	J
 x8	 x8	 x4
K	L	M
 x4	 x4	

