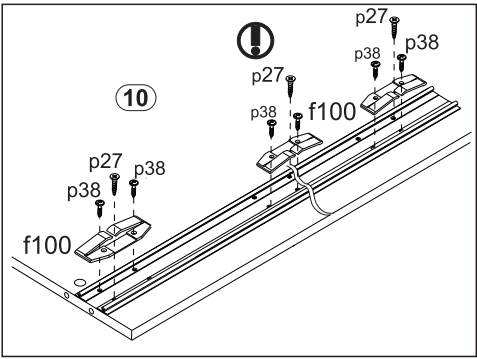
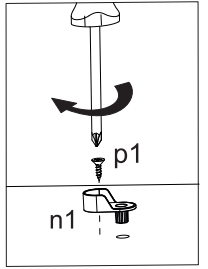
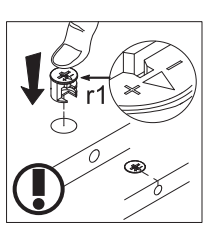
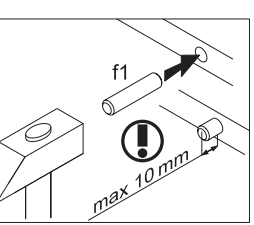
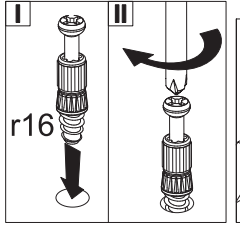
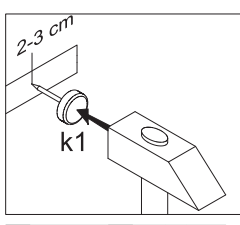
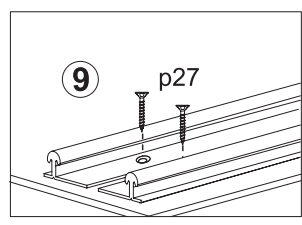
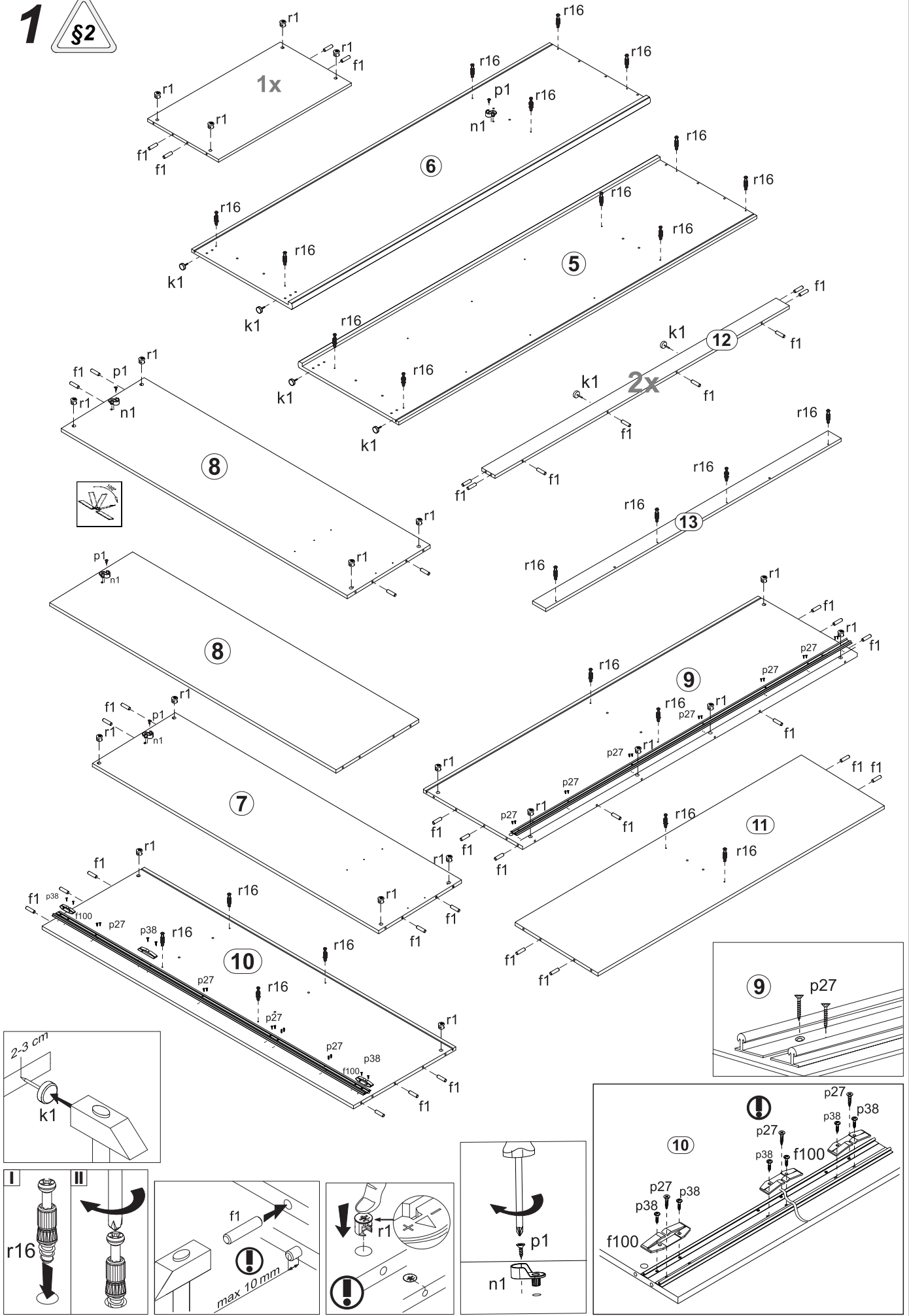


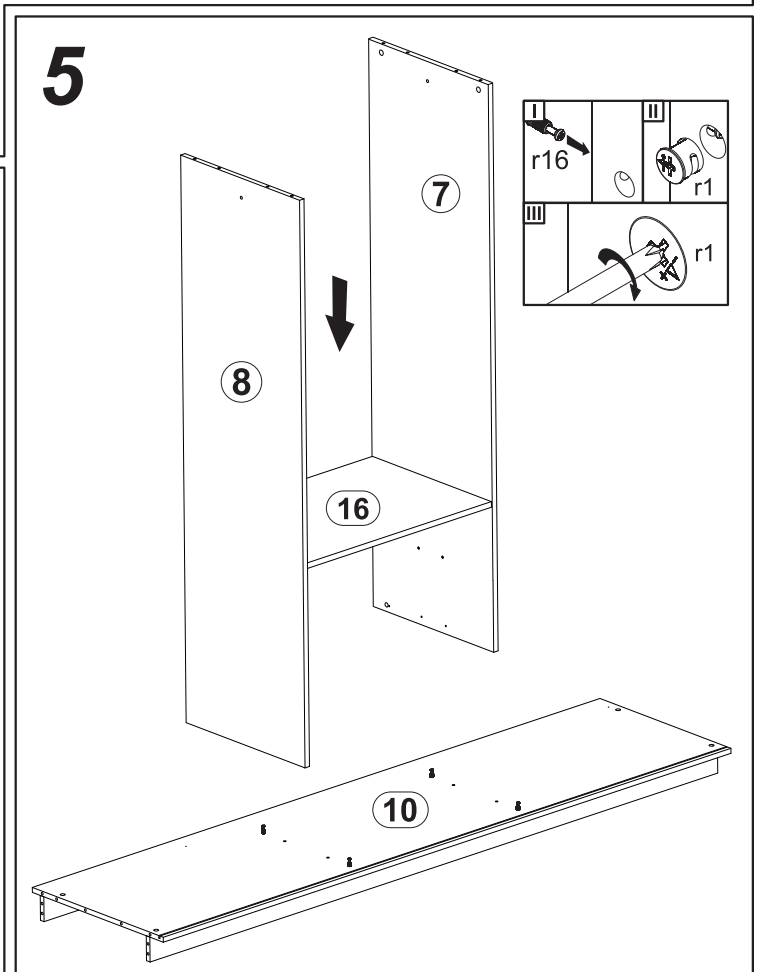
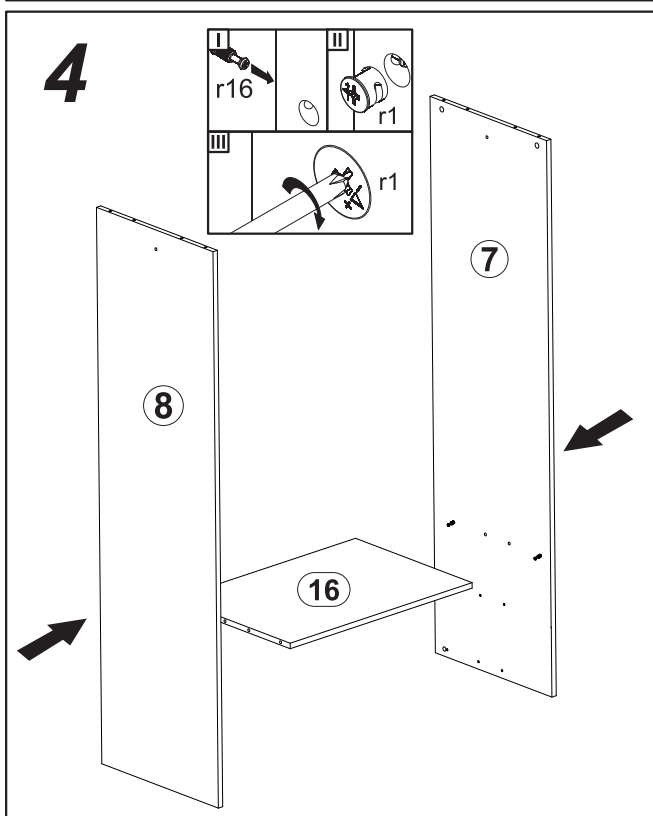
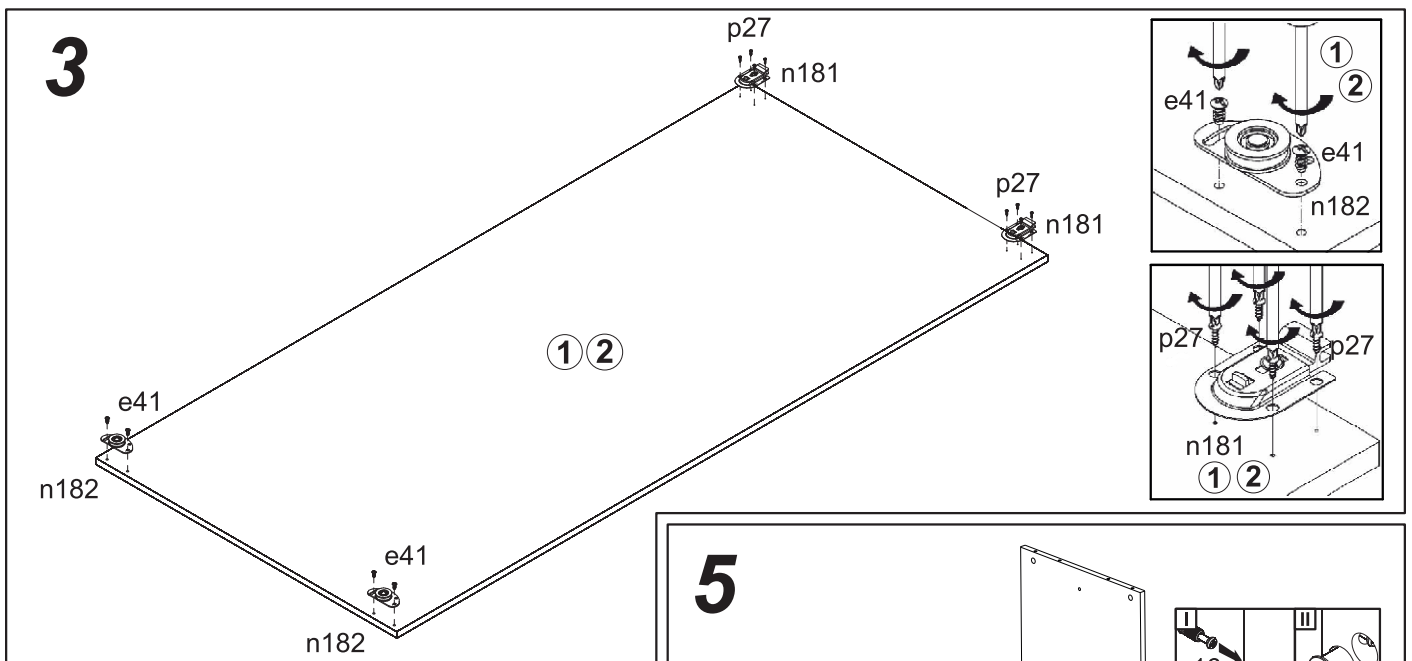
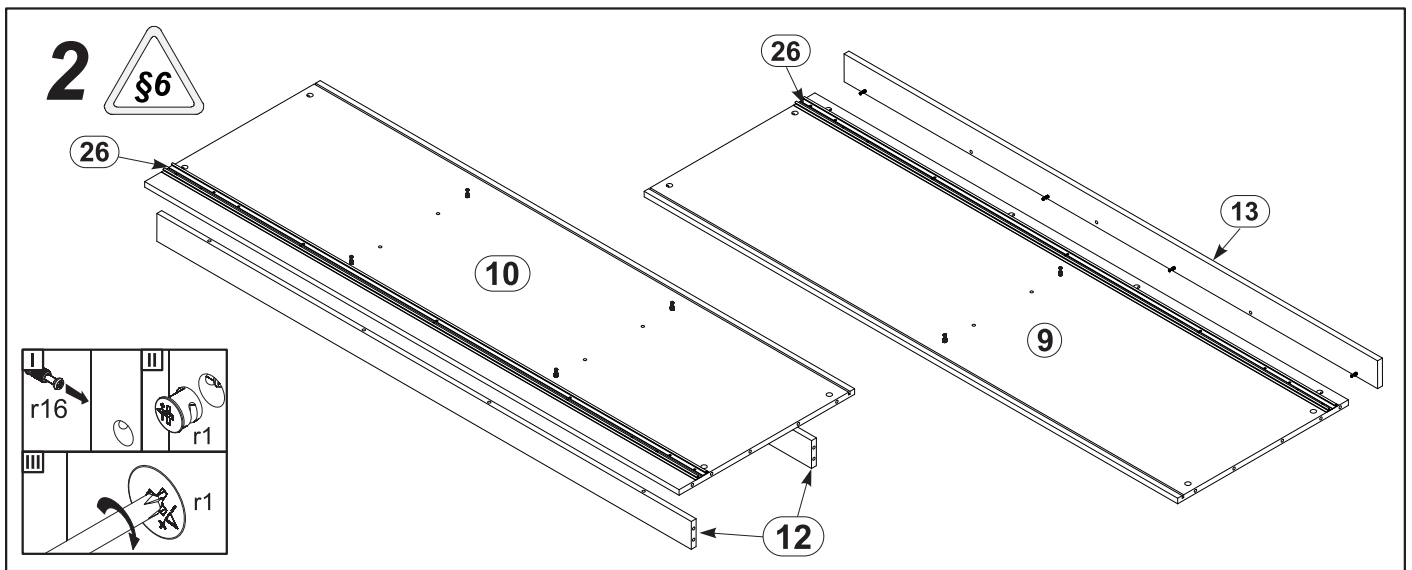
A	B	C	D	A	B	C	D		
1	KR1-012	2029	796	4/5	14	KR1-108	407	460	3/5
2	KR1-013	2029	796	4/5	15	KR1-312	802	455	3/5
3	KR1-010	2029	796	5/5	16	KR1-313	670	460	3/5
4	KR1-014	664	175	3/5	17	KR1-503	400	120	3/5
5	KR1-104	2155	608	1/5	18	KR1-504	400	120	3/5
6	KR1-105	2155	608	1/5	19	KR1-505	613	120	3/5
7	KR1-107	1619	460	1/5	20	KR1-905	449	628	3/5
8	KR1-109	1619	460	1/5	21	KR1-903	2056	817	5/5
9	KR1-310	2308	566	2/5	22	KR1-904	2056	686	5/5
10	KR1-309	2308	583	2/5	23	LH-406	406	14	5/5
11	KR1-311	2308	460	2/5	24	DR-799	798		1/5
12	KR1-405	2308	80	2/5	25	DR-665	665		1/5
13	KR1-406	2308	80	2/5	26		2307		2/5



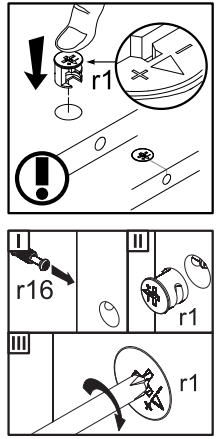
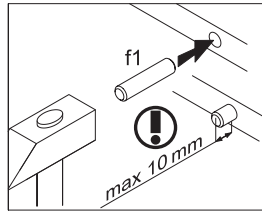
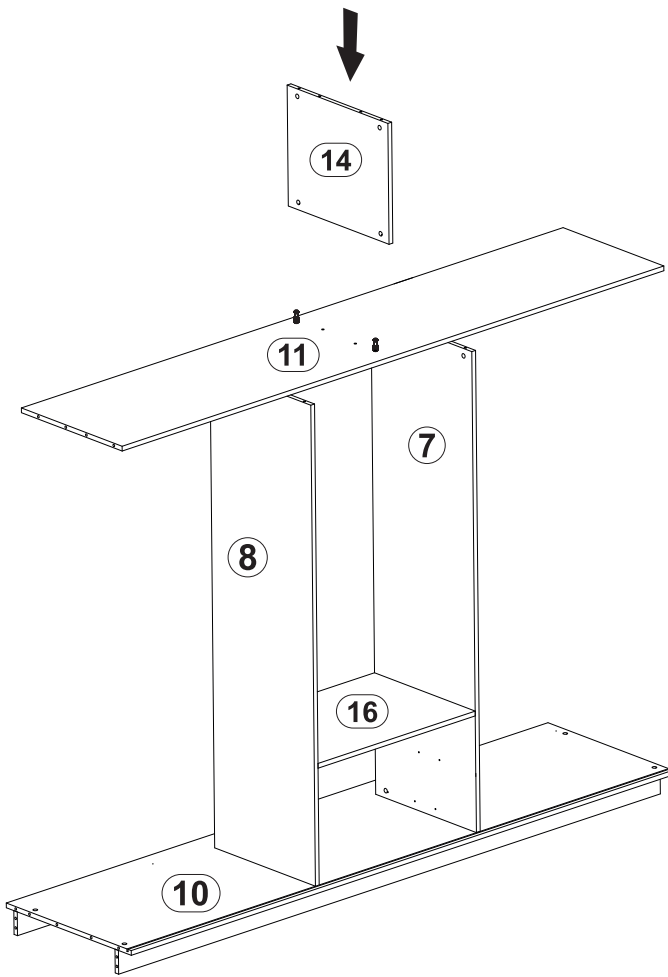
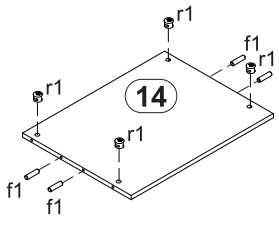
51x φ8x30 mm f1	40x r16	40x φ15x12mm #16 r1	12x φ5x17 mm d1	8x k1	4x φ3,5x13 mm p1	3x Stoper f100	4x φ3,5x16 mm p25
105x l1	4x n1	1x n26v1	36x ø16 s2	7x φ3,5x16 mm p38	24x l2	12x φ6x13 mm e3	49x φ3,5x13 mm p27
6x n181	6x n182	12x φ4x13 mm p28	12x φ5x12 mm e41	4x φ3,5x25 mm p42	8x φ5x50 mm e32	8x φ3x12 mm p54	2x 276 mm c806
2x 400 mm w5^{CL}	2x 400 mm w5^{CR}	2x 400 mm w5^{DL}	2x 400 mm w5^{DR}	2x 383 mm t14	3x silikon φ8x1,8mm o21		

1

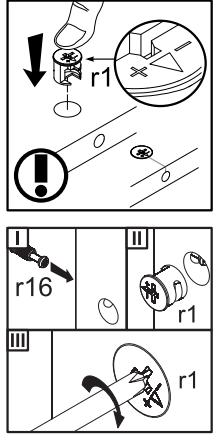
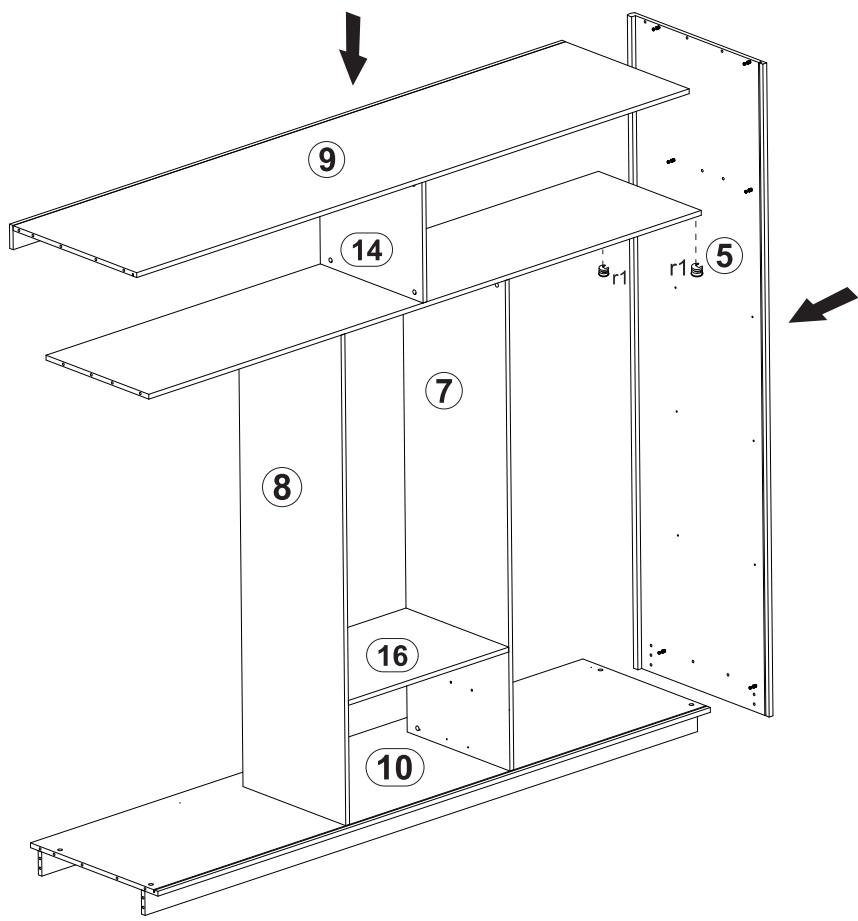




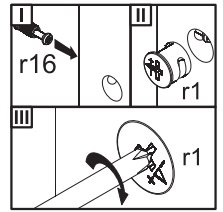
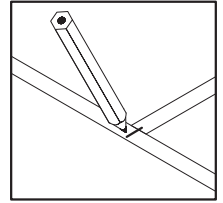
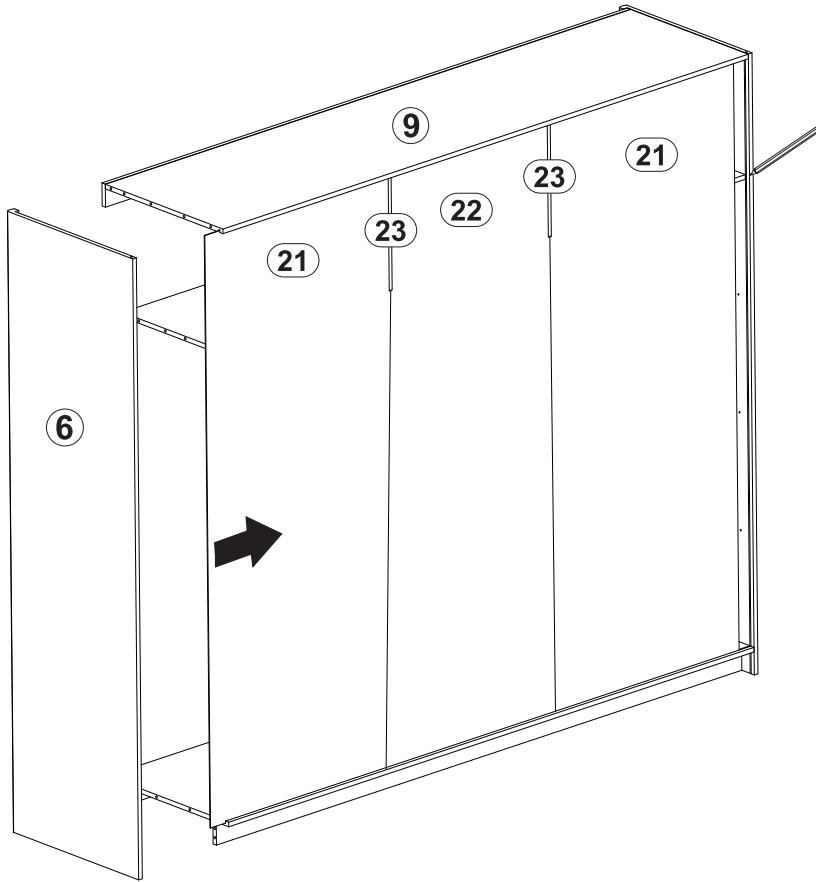
6



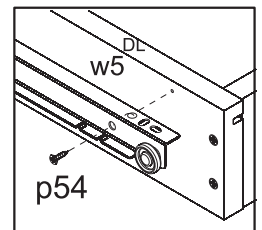
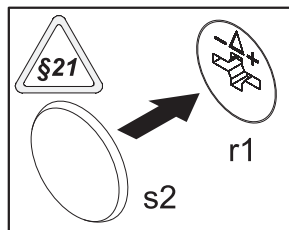
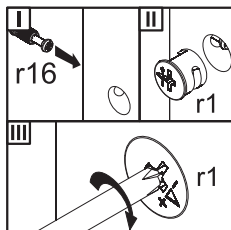
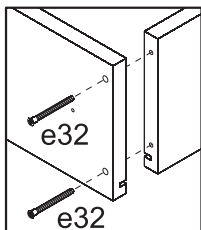
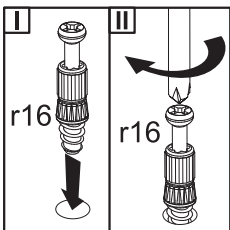
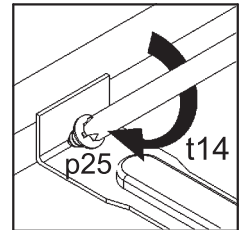
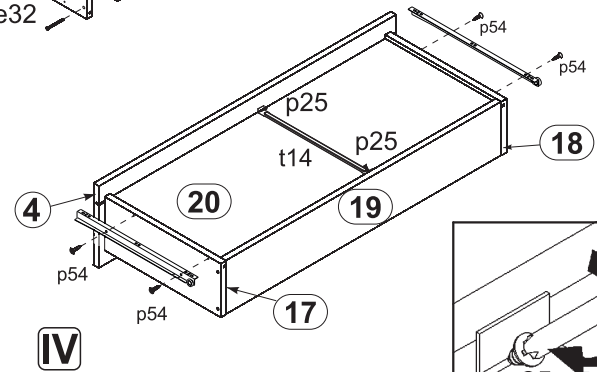
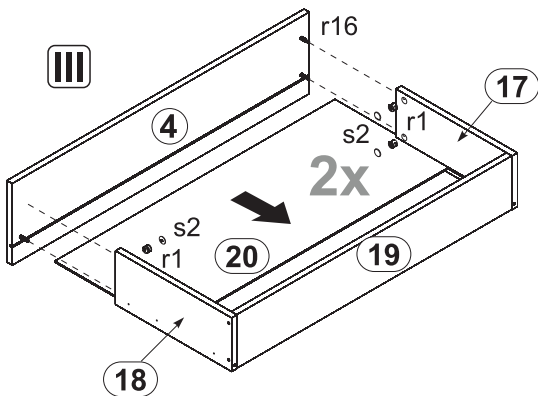
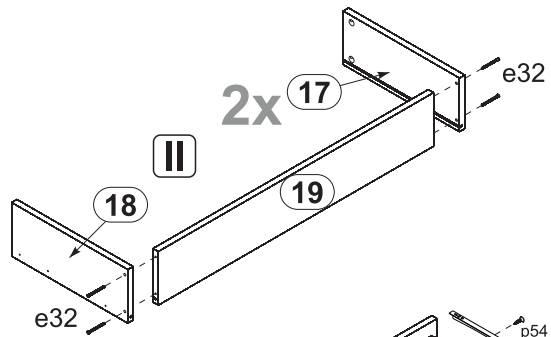
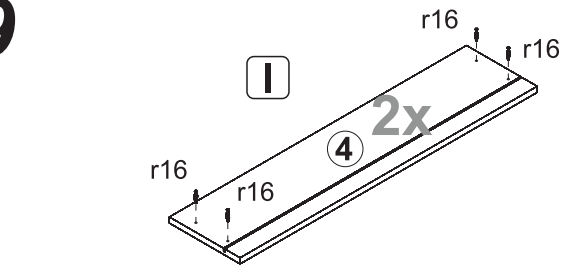
7



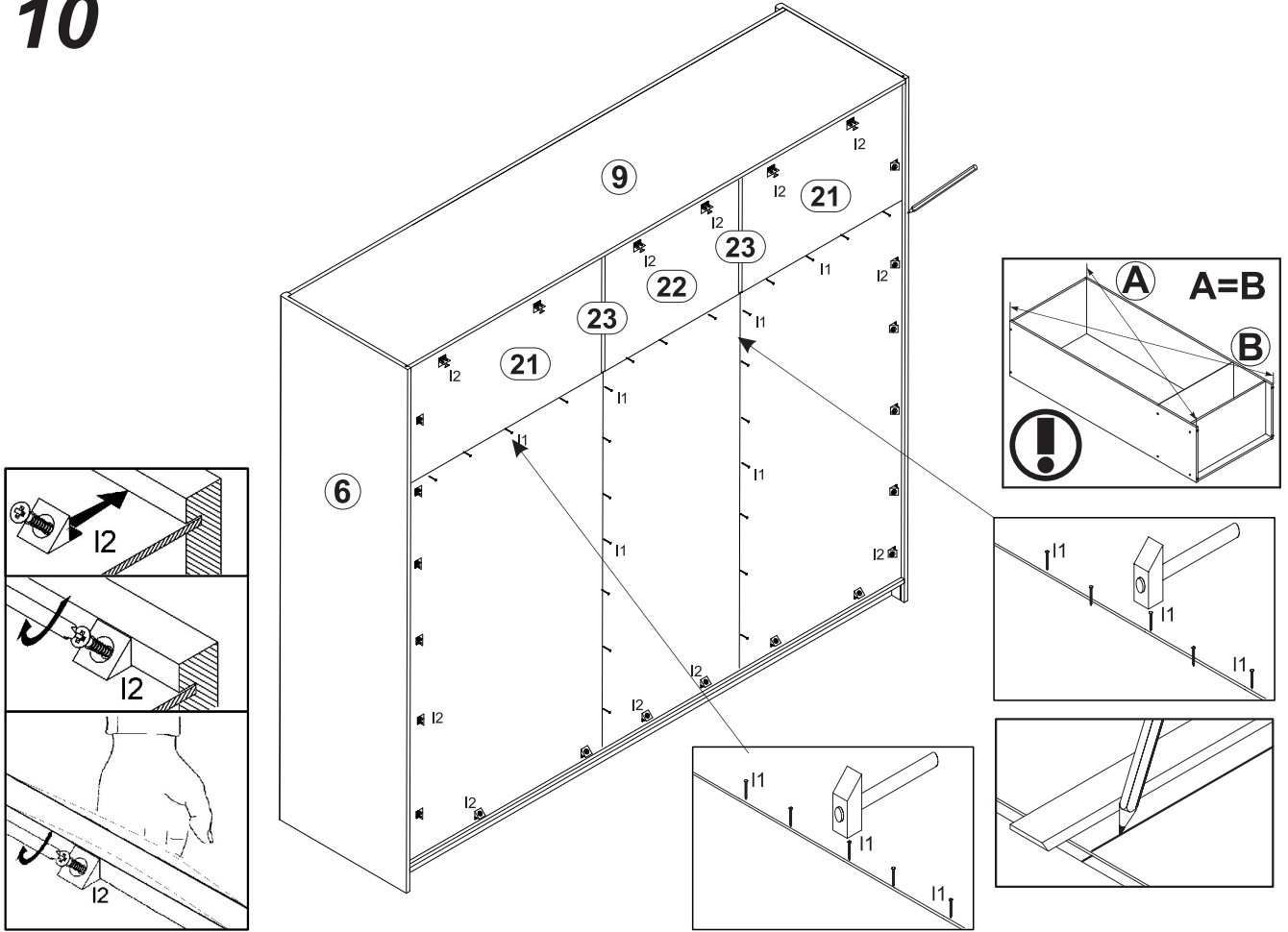
8



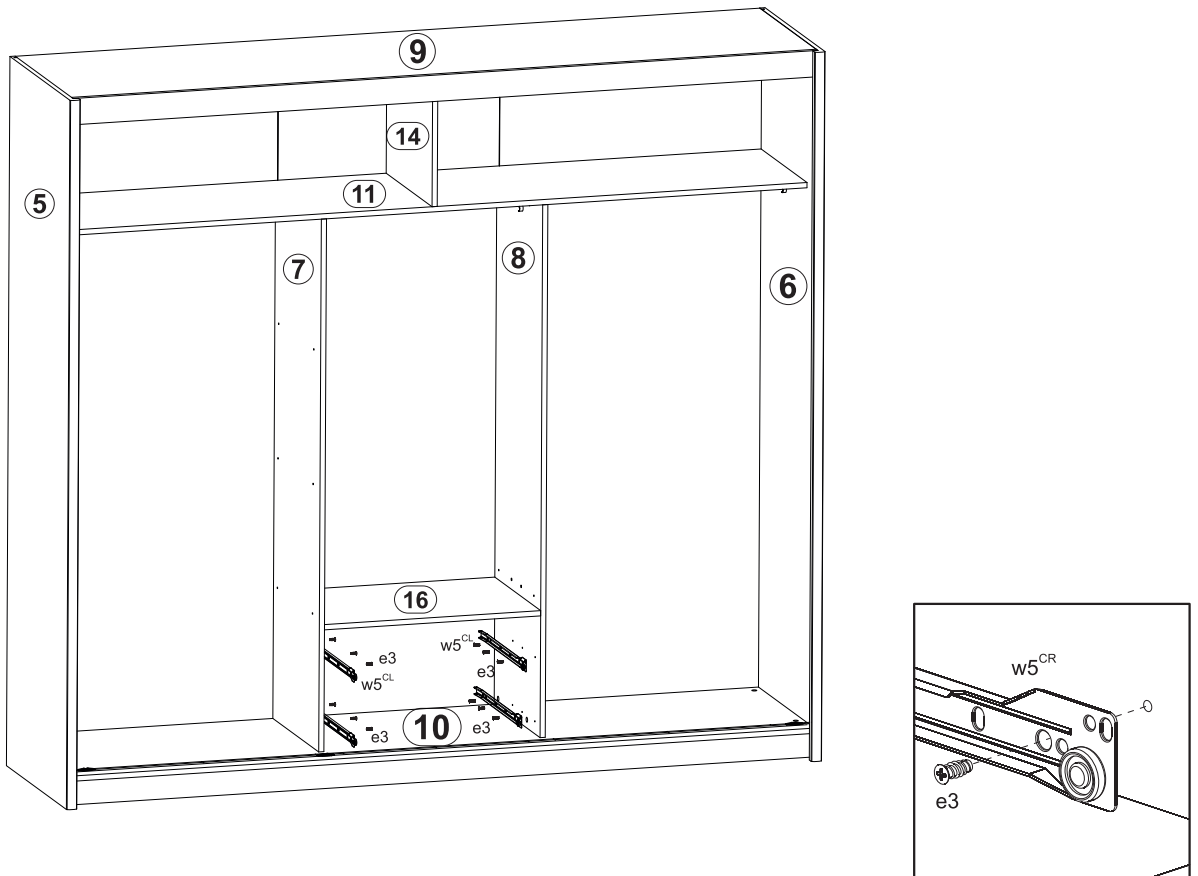
9



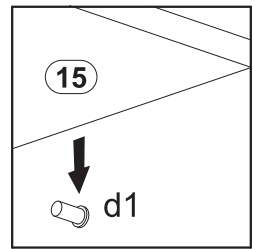
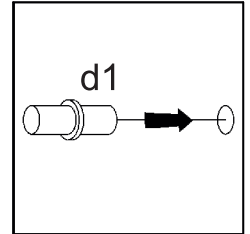
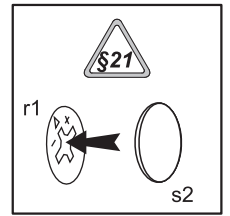
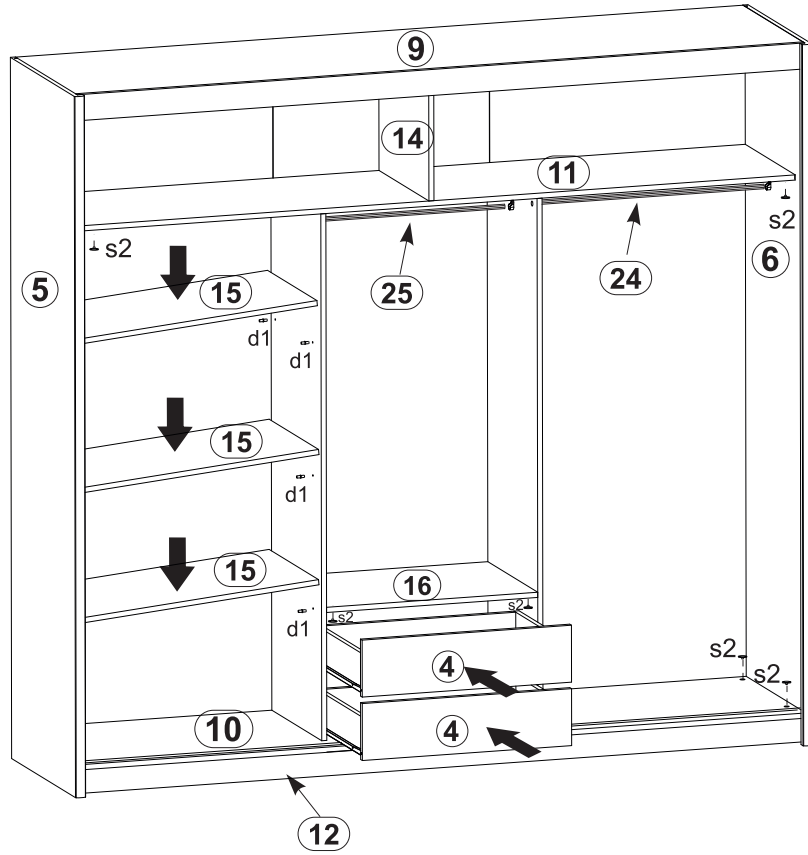
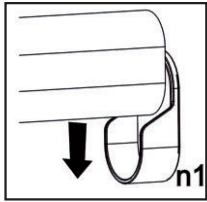
10



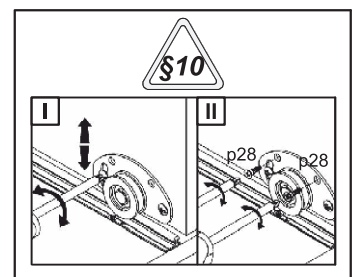
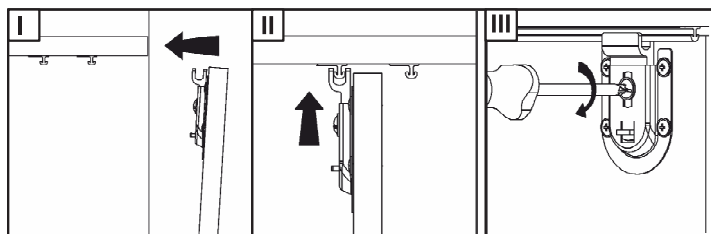
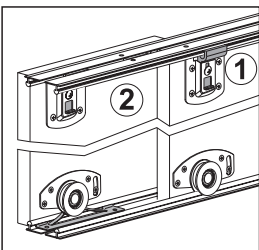
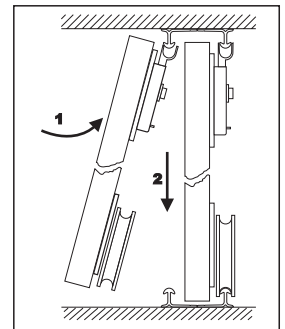
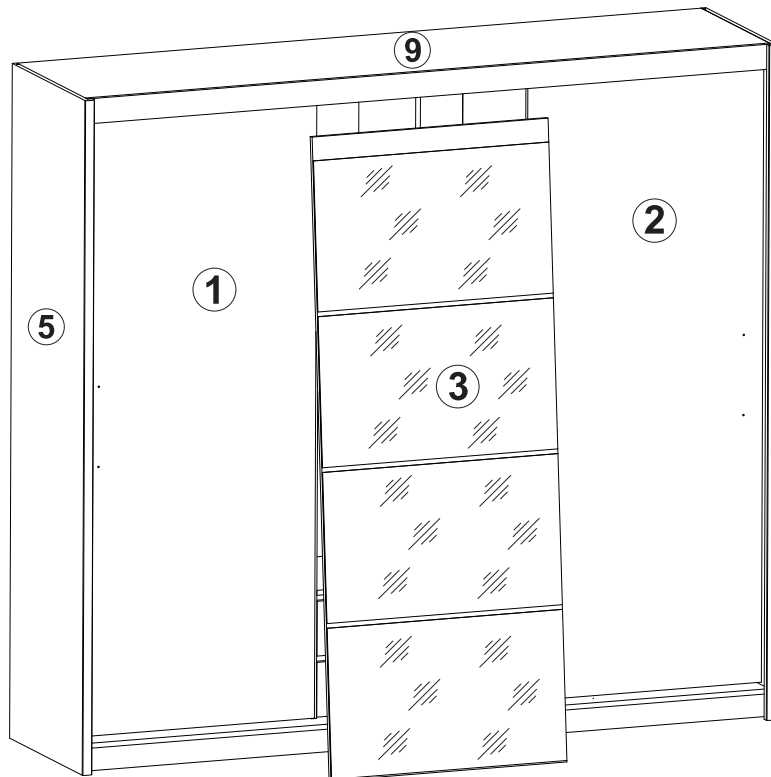
11



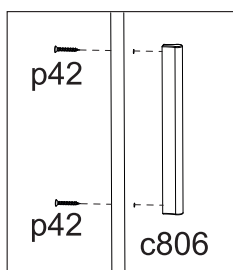
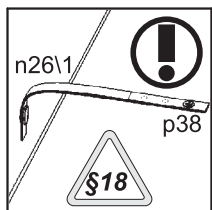
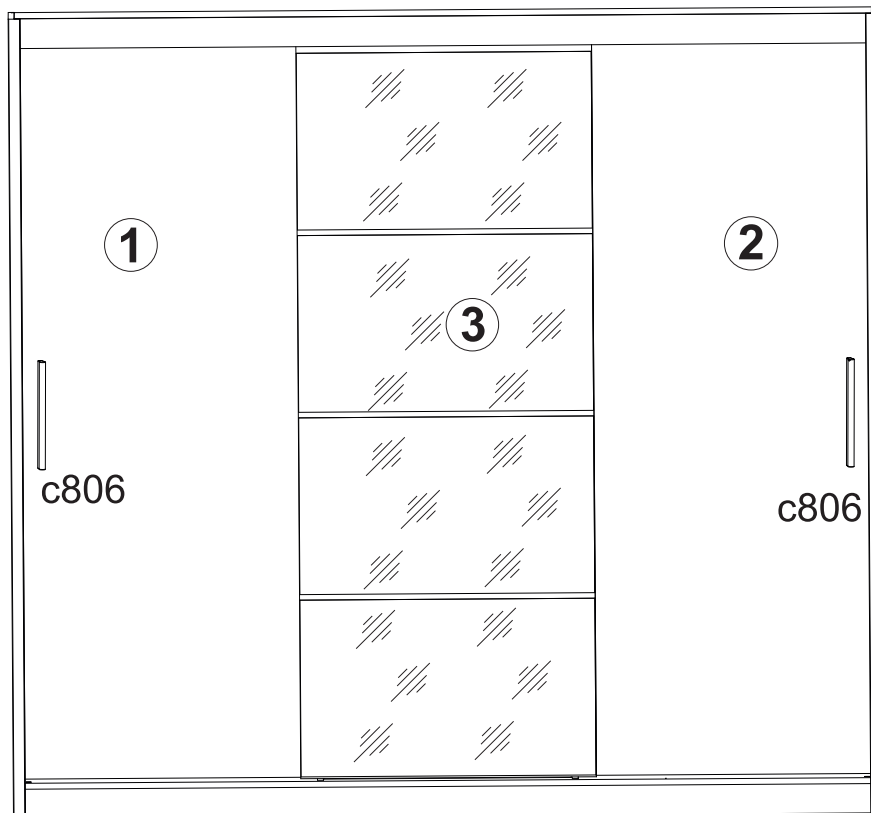
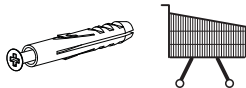
12



13



14



15

