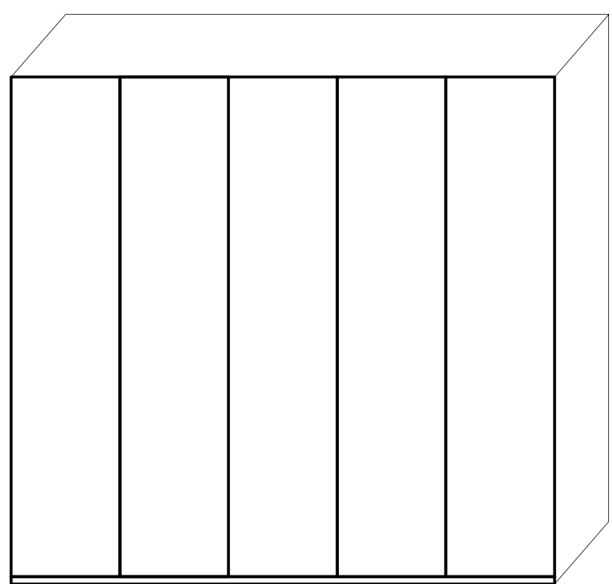
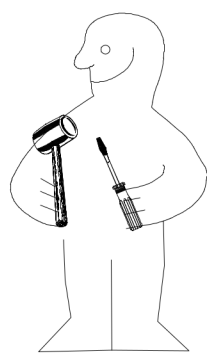
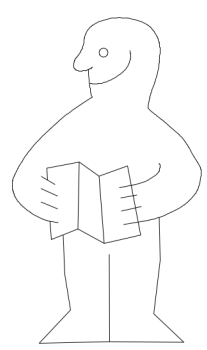
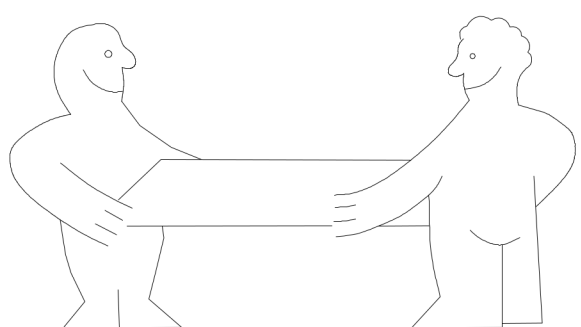
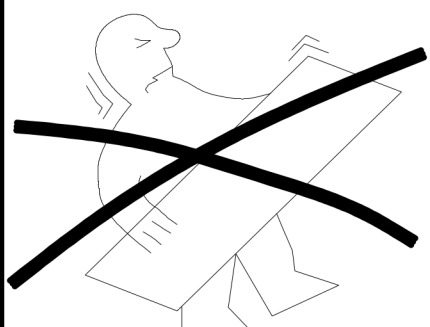


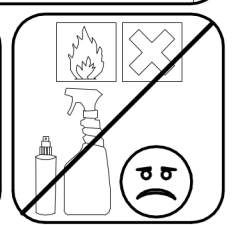
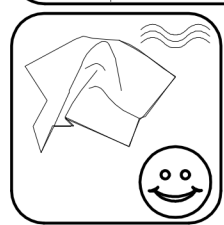
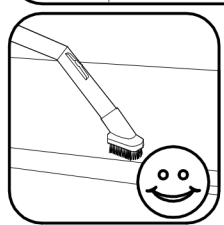
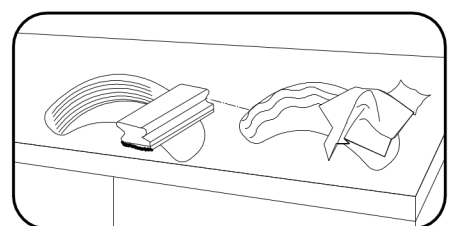
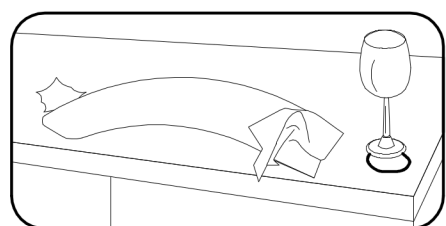
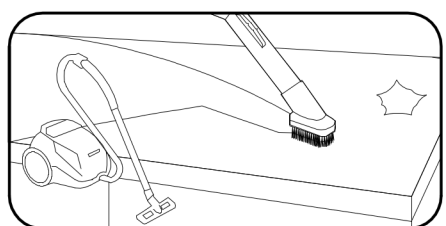
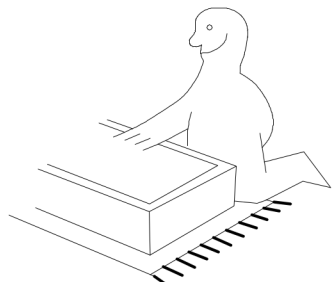
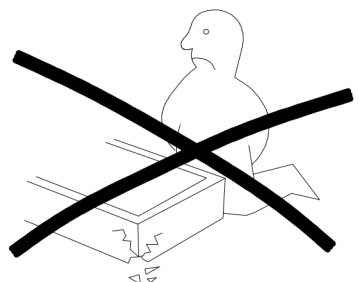
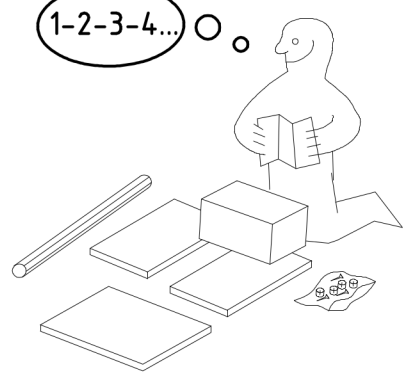
980235



SHS 225





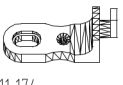

1-2-3-4... ○ ○

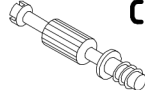
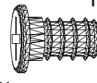
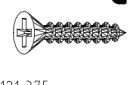




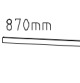
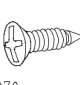
980235


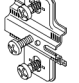
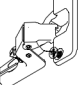
06.04.16 / -

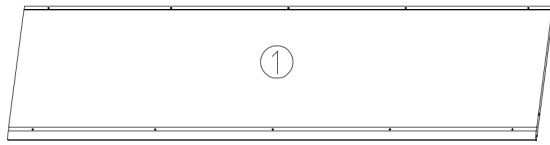
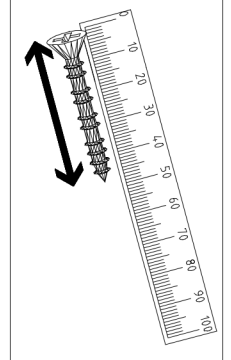
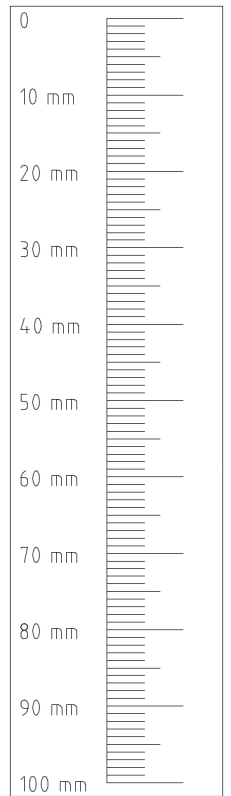
04 16 | 1/10

 111 102	<b>A</b> 16x
 111 610	<b>L7</b> 12x
 111 174	<b>J1</b> 12x
	<b>SBV</b> 12x

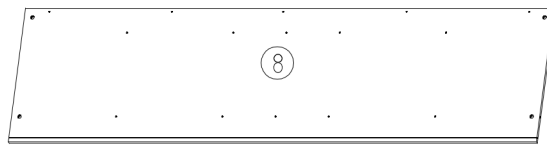
 111 103	<b>C</b> 16x
 M6 x 11 mm	<b>T6</b> 12x
 121 181	<b>G14</b> 10x
 121 375	<b>G1</b> 10x

 112 403	<b>K21</b> 1x
 112 402	<b>K20</b> 2x
 121 370	<b>G1</b> 18x

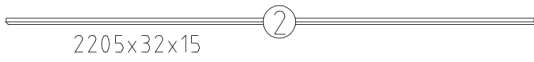
 117 001	<b>K1</b> 6x
 112 268	<b>M</b> 20x
 112 267	<b>N</b> 20x



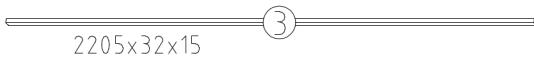
2205x560x15



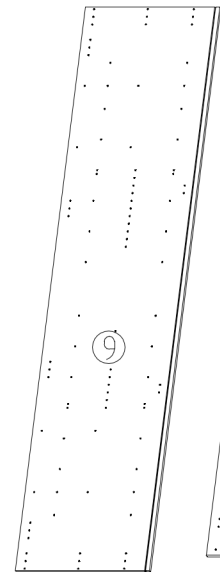
2205x560x15



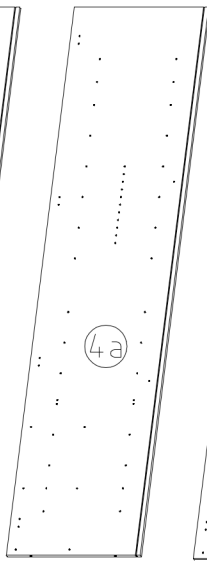
2205x32x15



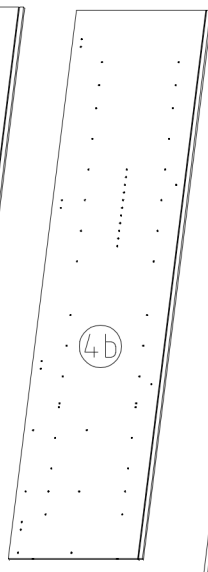
2205x32x15



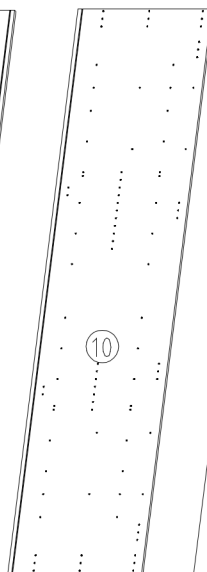
2352x560x15



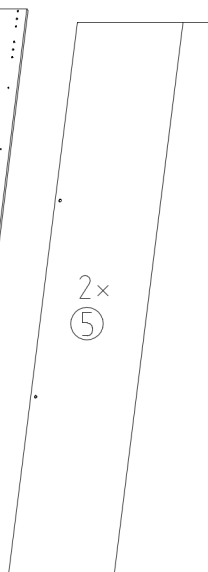
2289x560x15



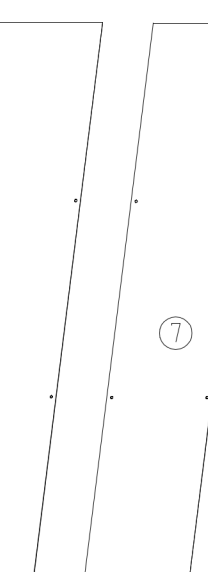
2289x560x15



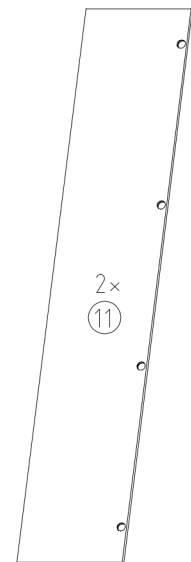
2352x560x15



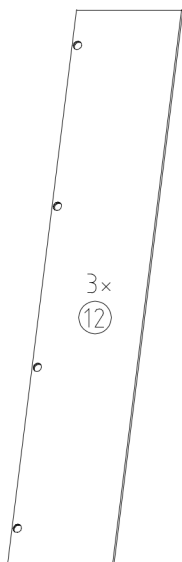
2303x882x2,5



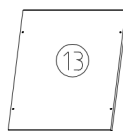
2303x438x2,5



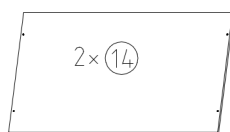
2310x439x15



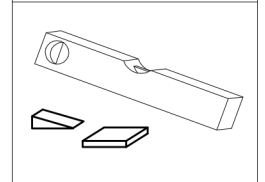
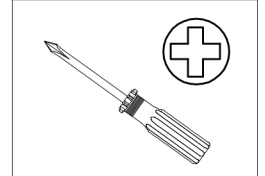
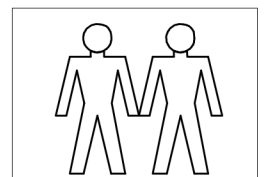
2310x439x15



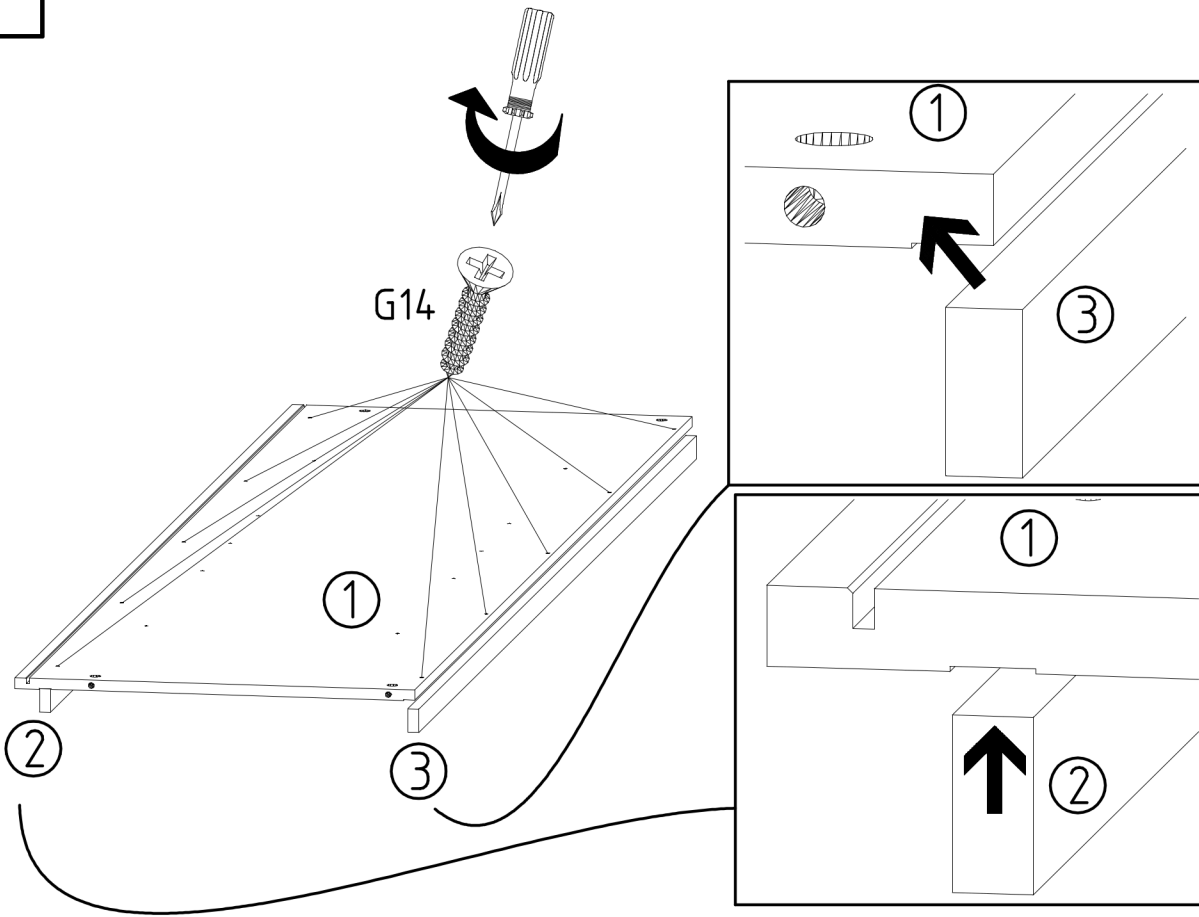
429x500x18



873x500x18



1

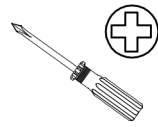


3,5 x 35 mm

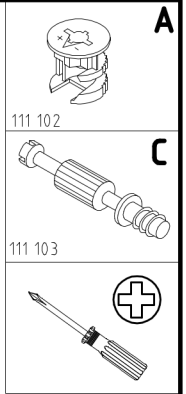
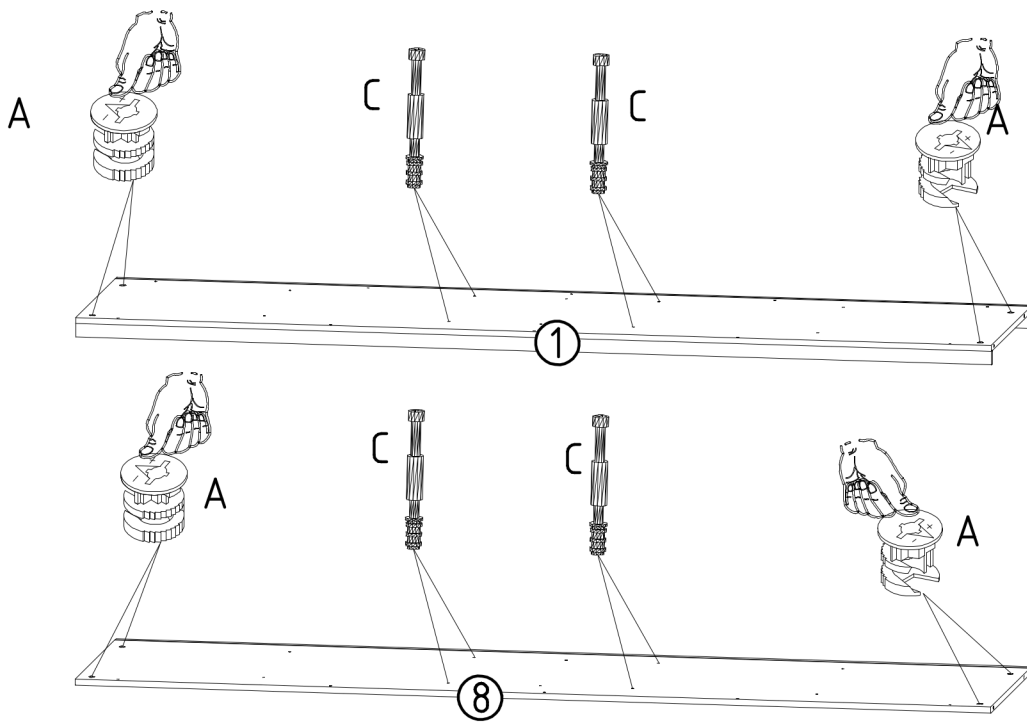
G14



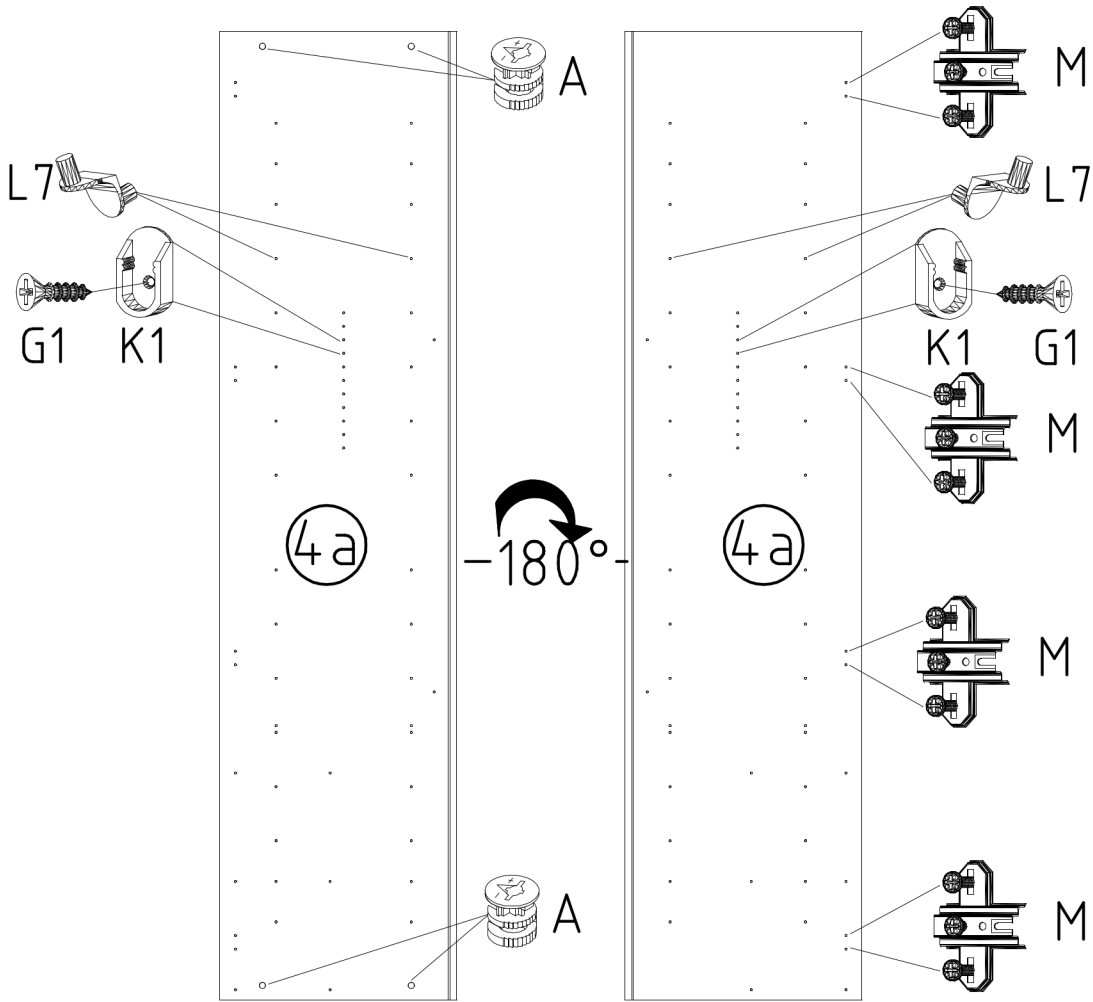
121 375



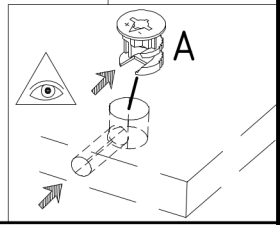
2



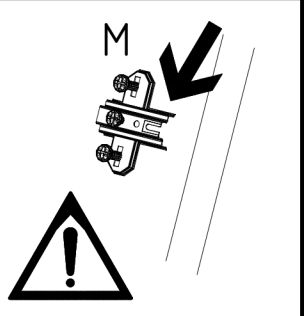
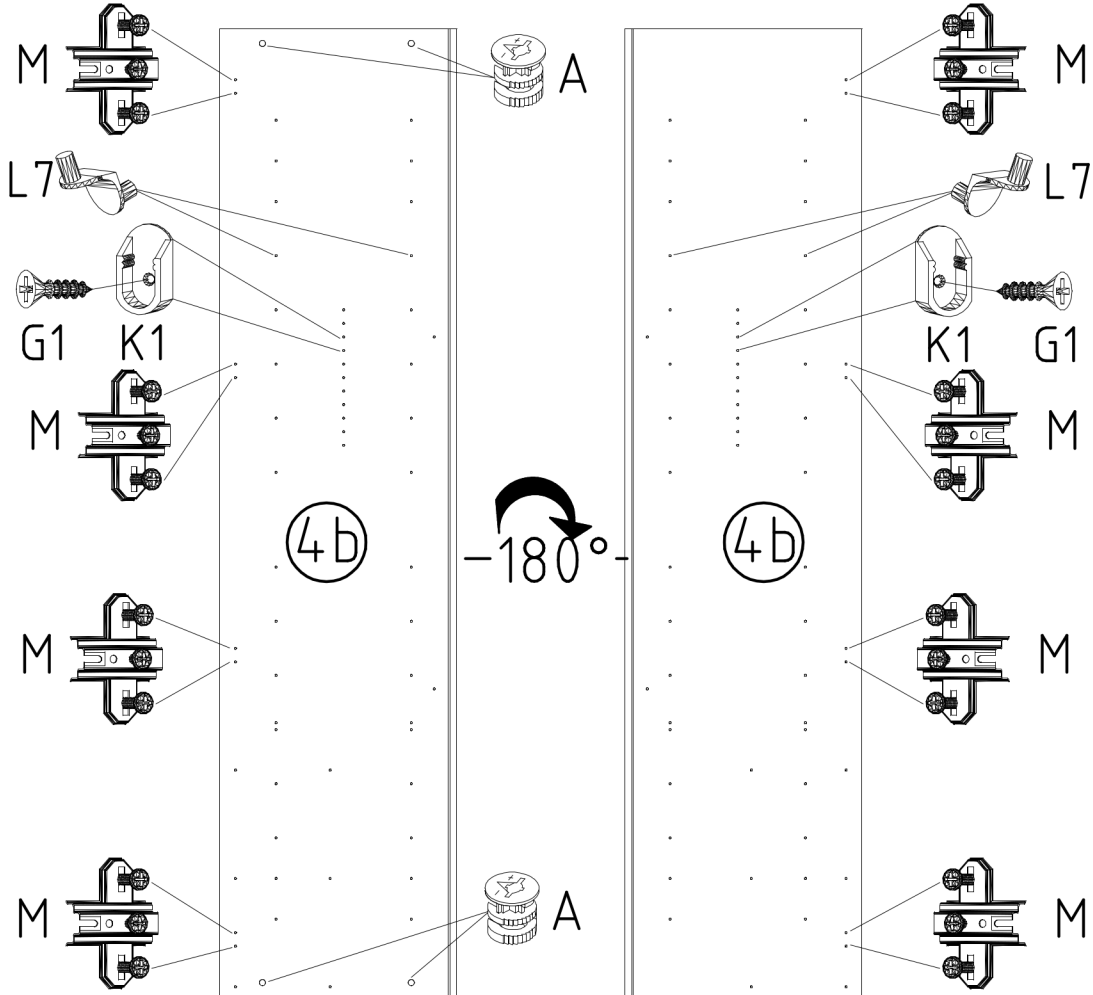
3



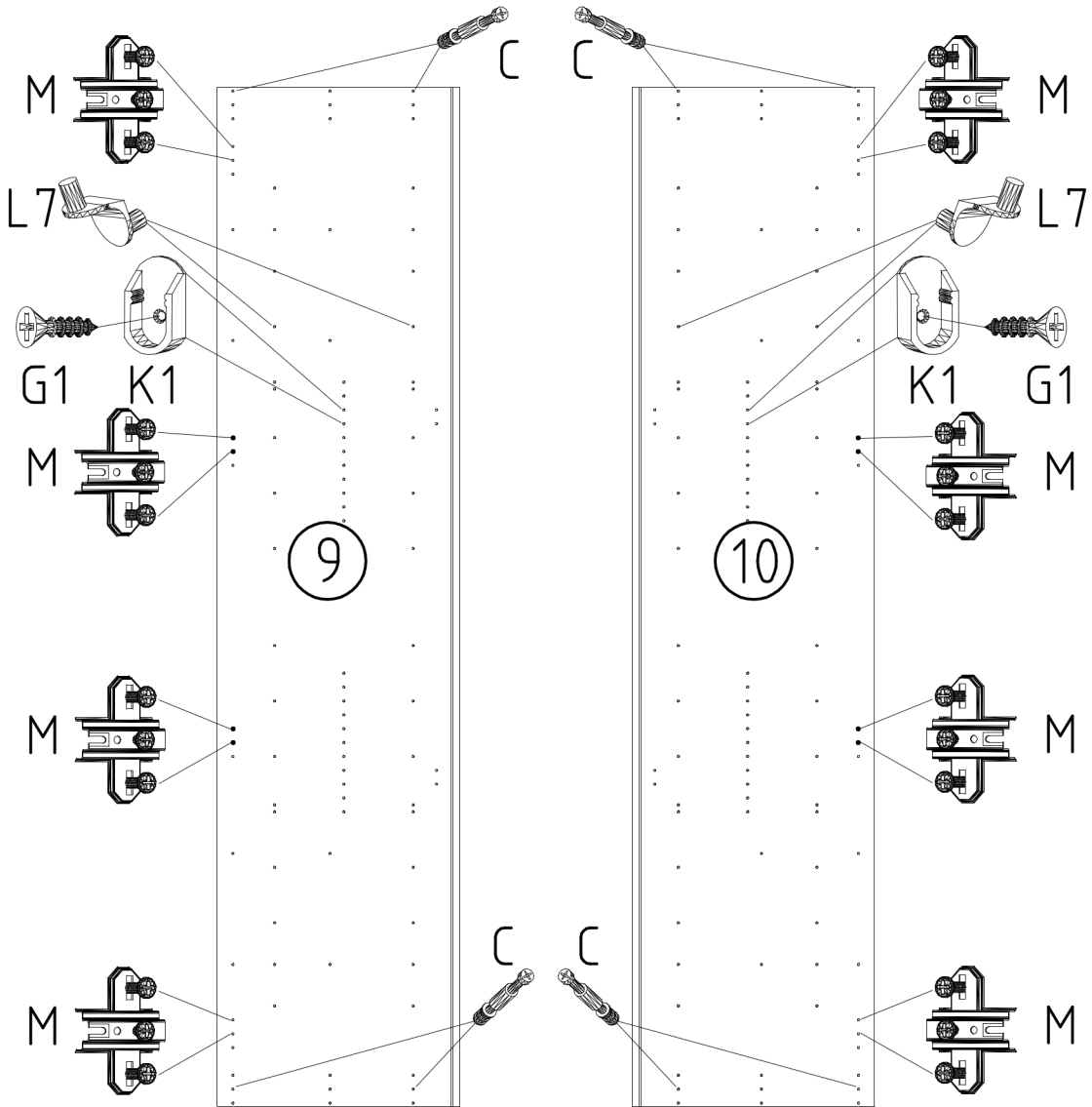
- L7
- 111 610
- +
- K1
- 117 001  
3,5 x 15 mm
- G1
- 121 370
- A
- 111 102
- M
- 112 268



4



5



**L7**

111 610

**+**

**K1**

117 001  
3,5 x 15 mm

**G1**

121 370

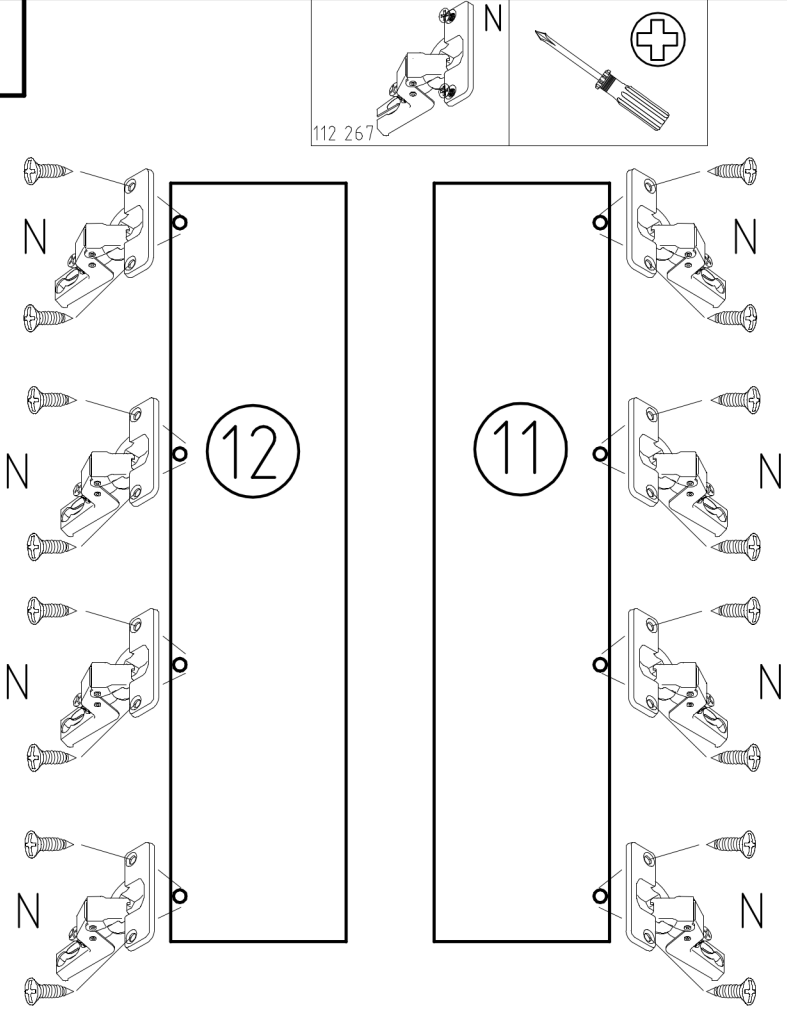
**C**

111 103

**M**

112 268

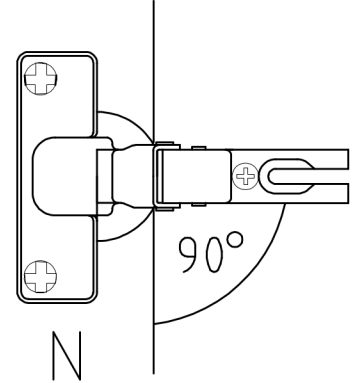
6

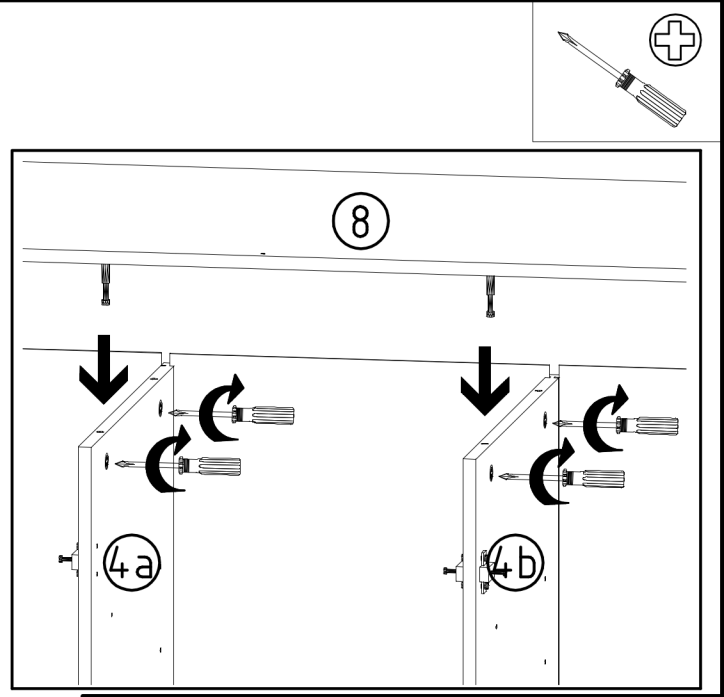
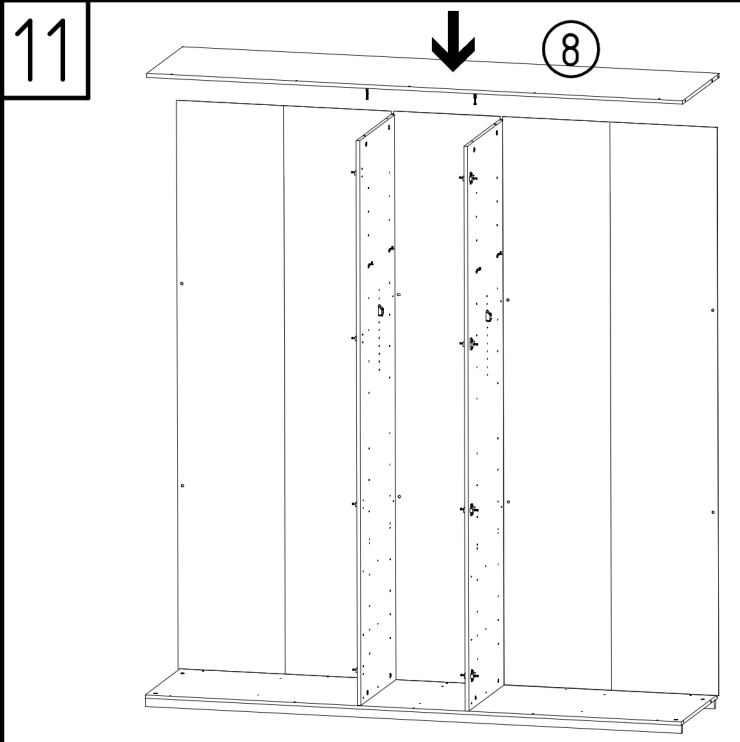
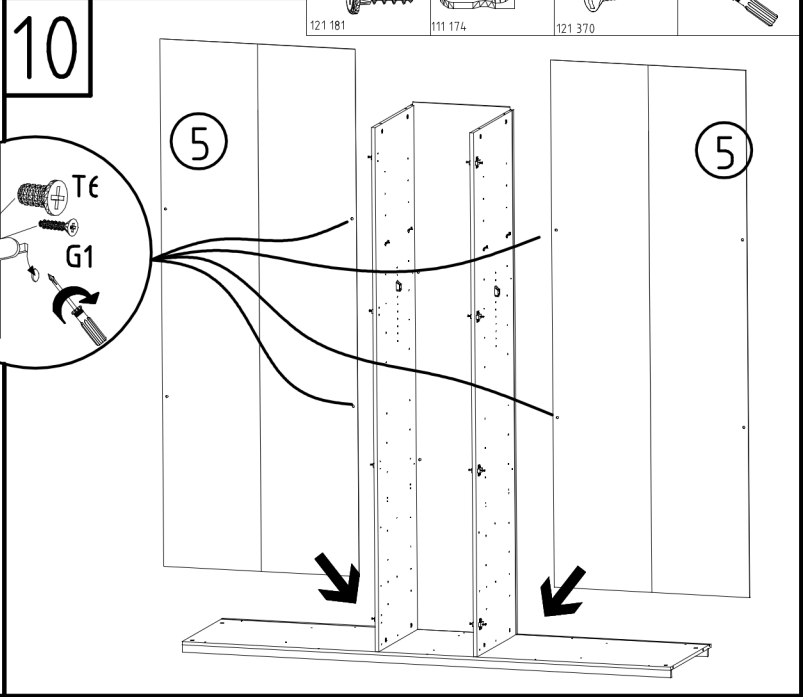
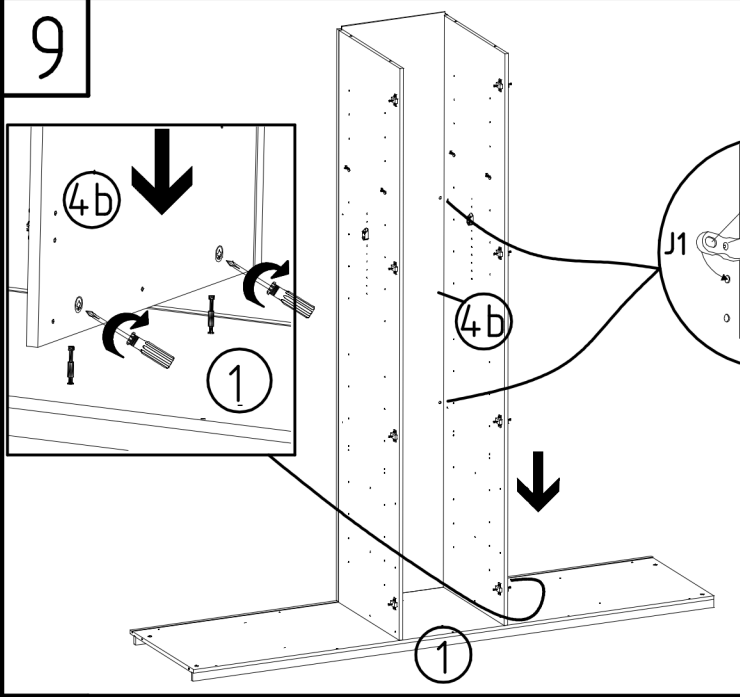
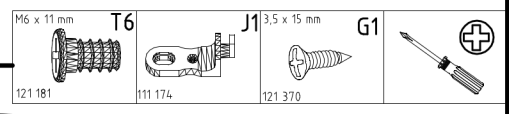
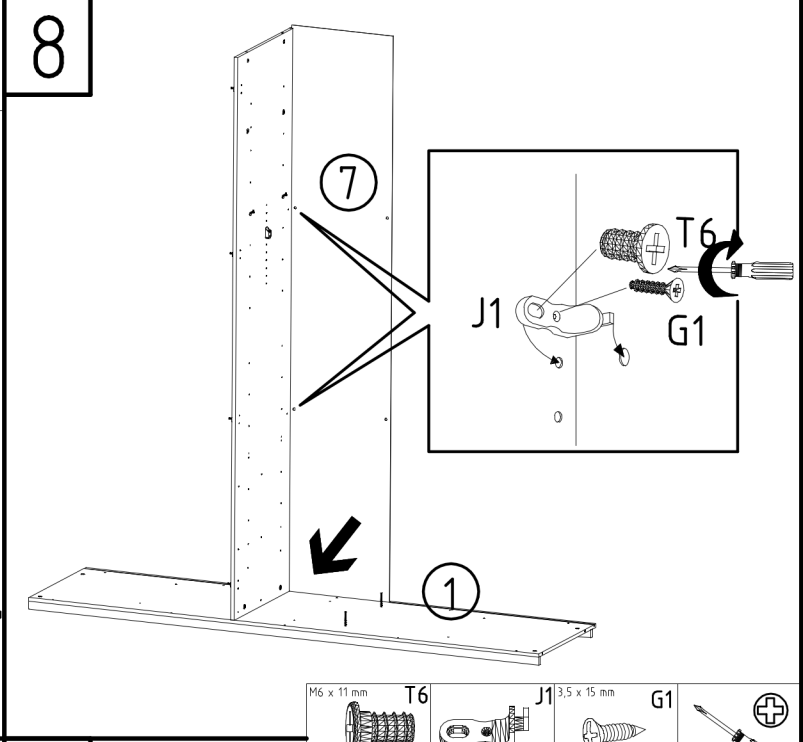
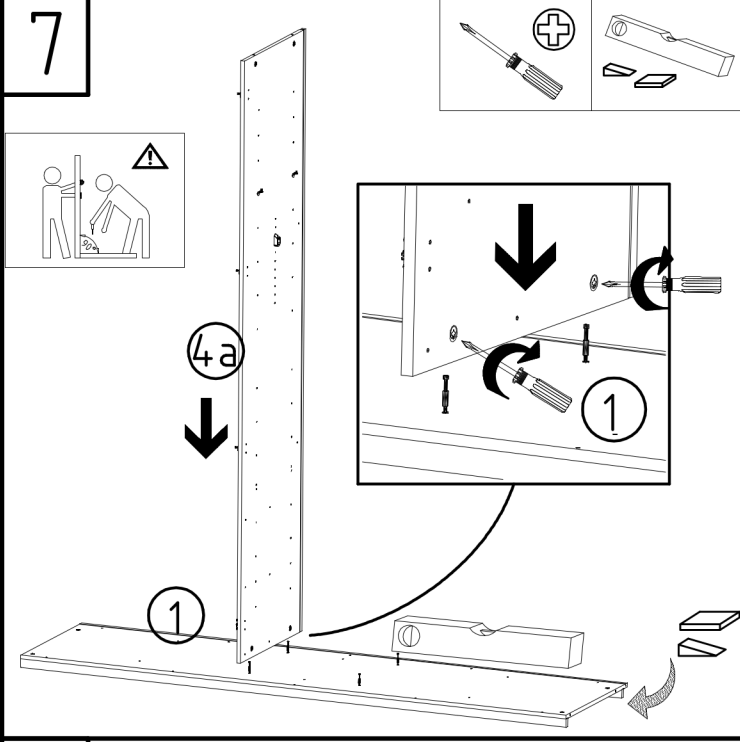


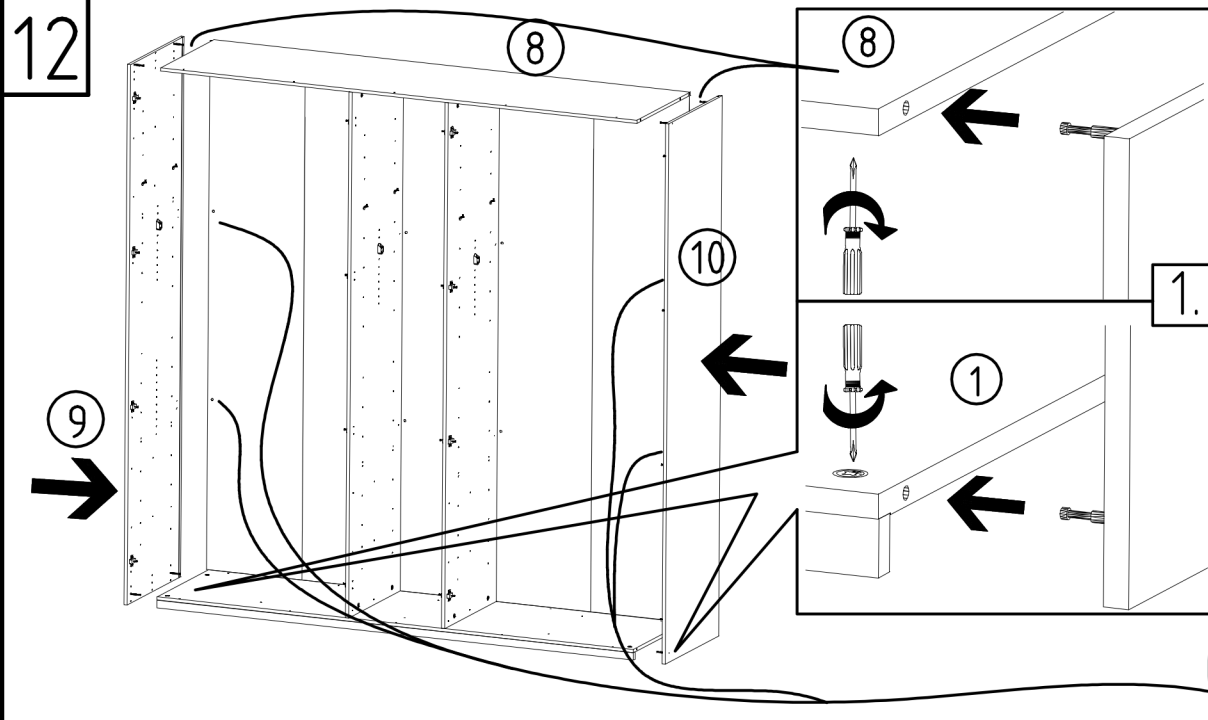
**N**

112 267

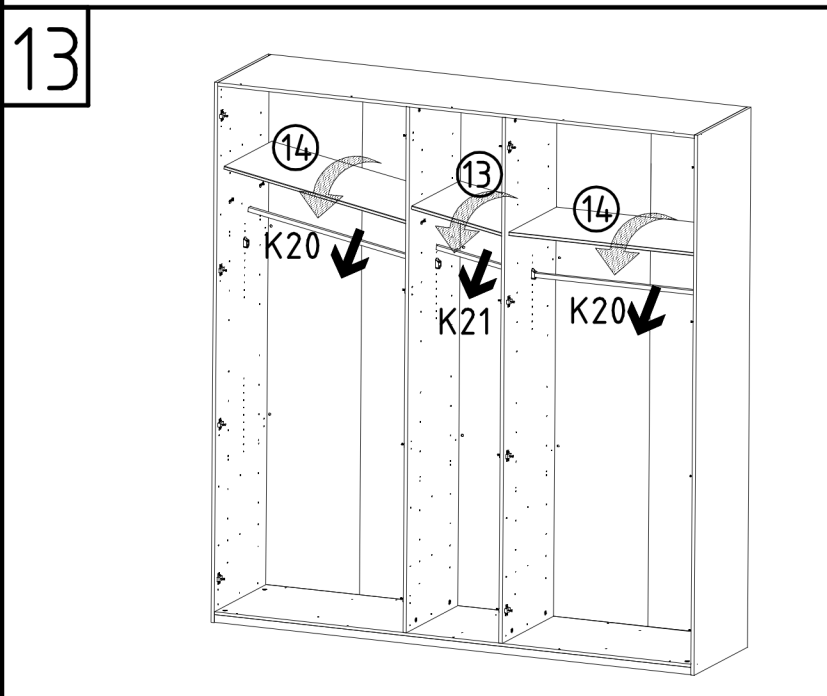
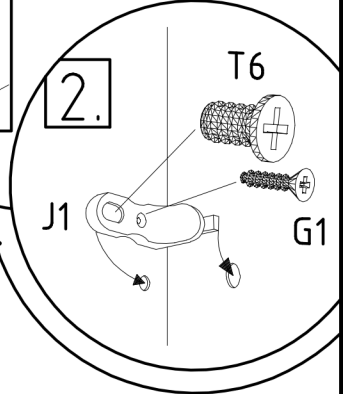
**+**



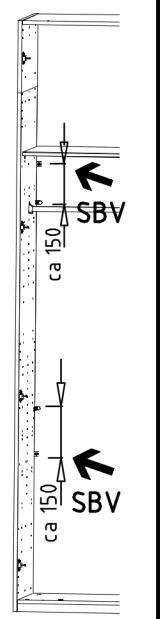
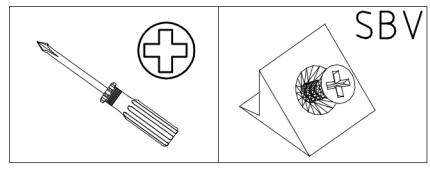
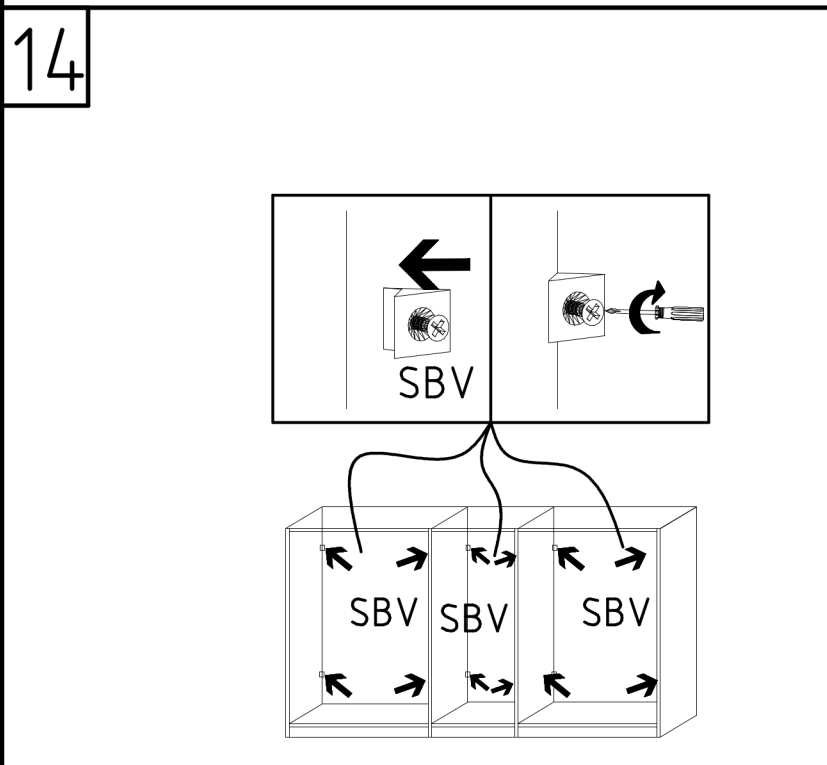


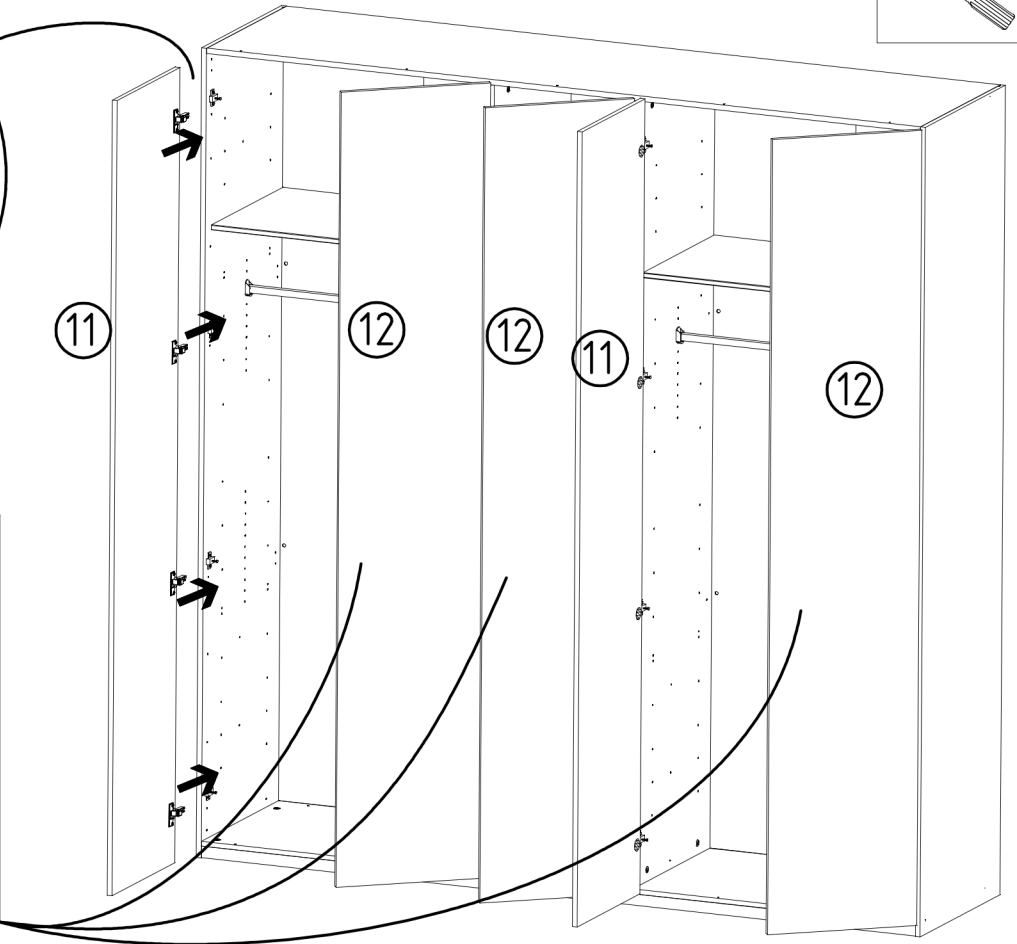
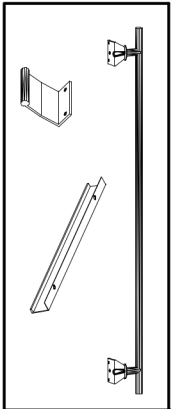
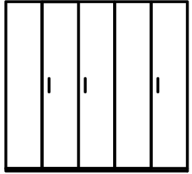
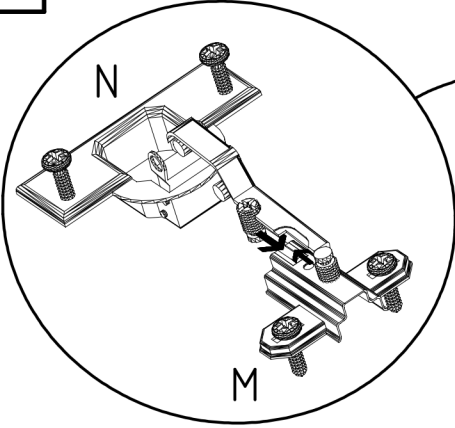
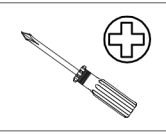


- M6 x 11 mm **T6**
- 121 181 **J1**
- 111 174 **G1**  
3,5 x 15 mm
- 121 370

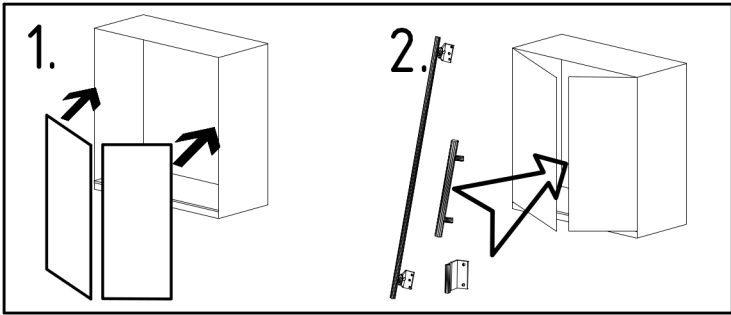


	K21	K20
424mm		
112 403		112 402

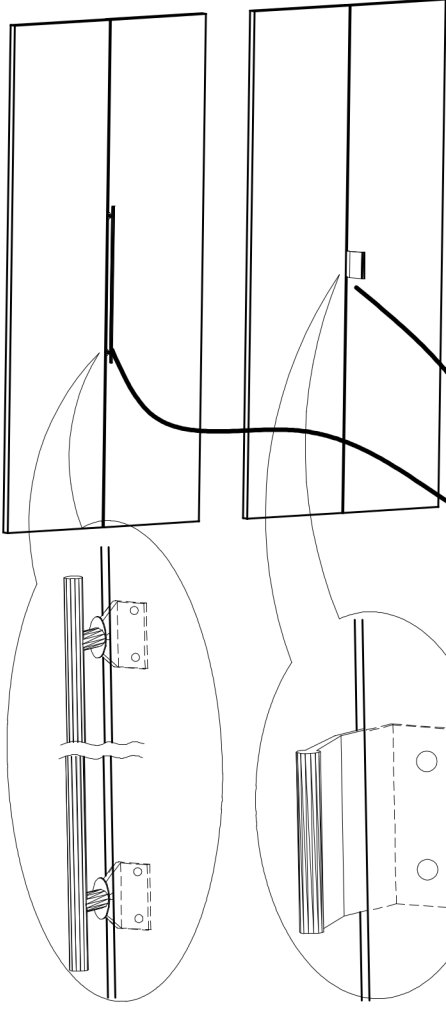




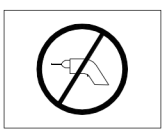
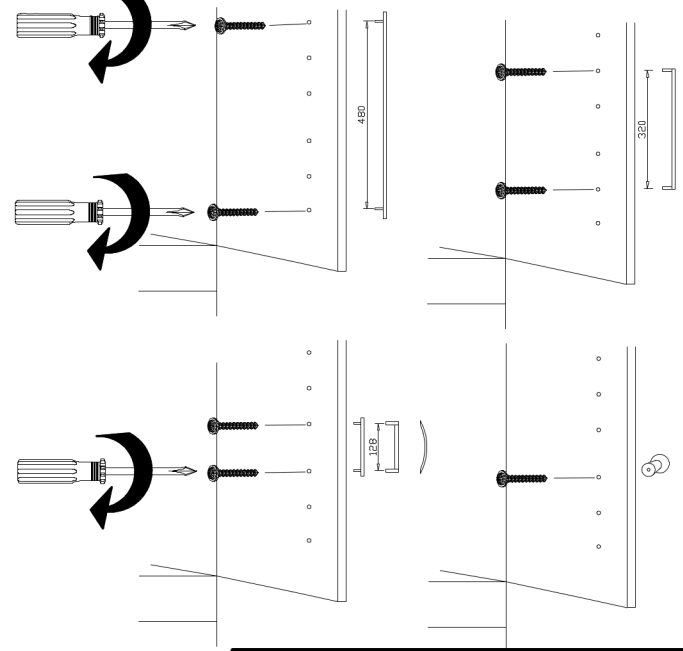
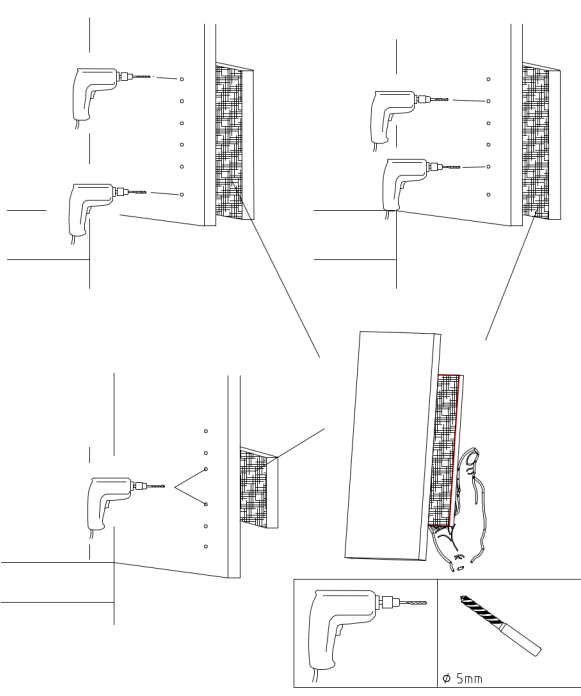
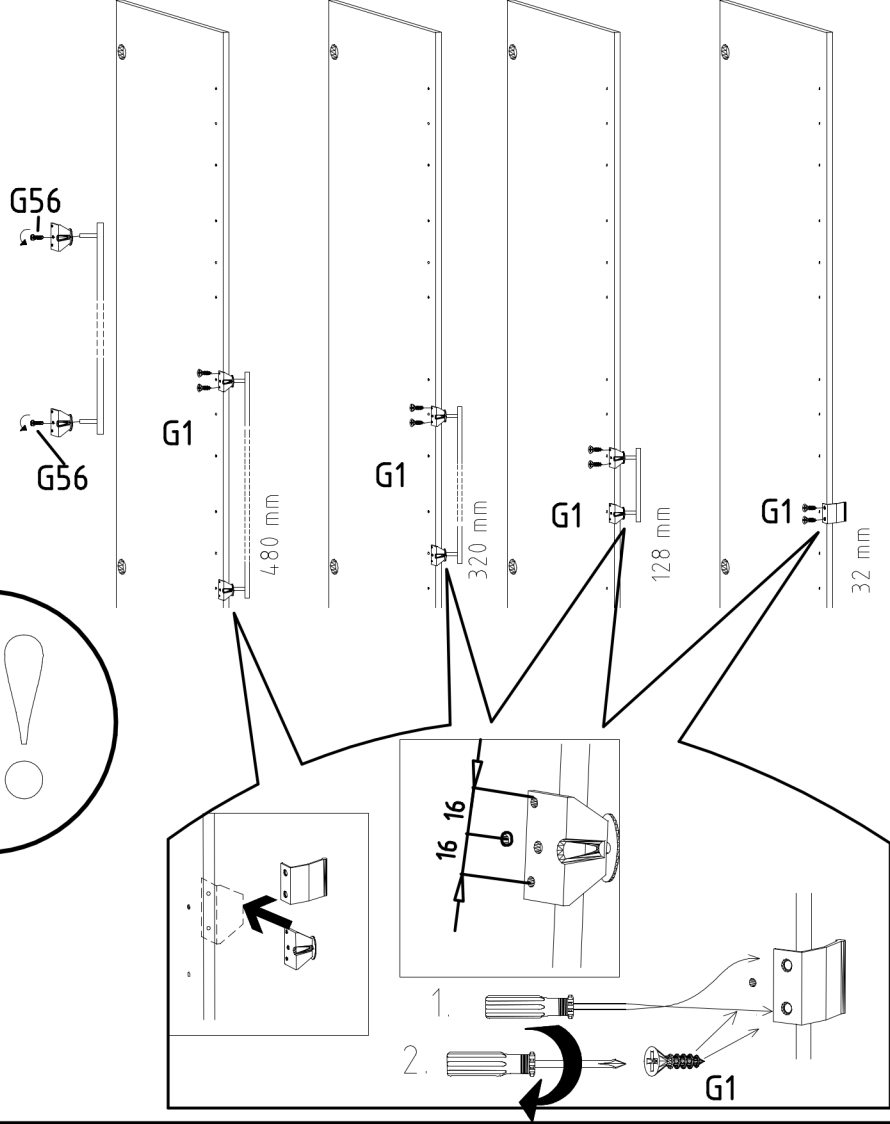




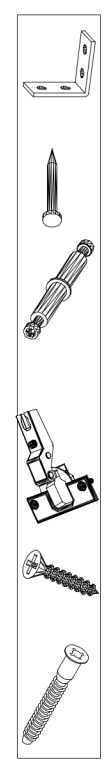
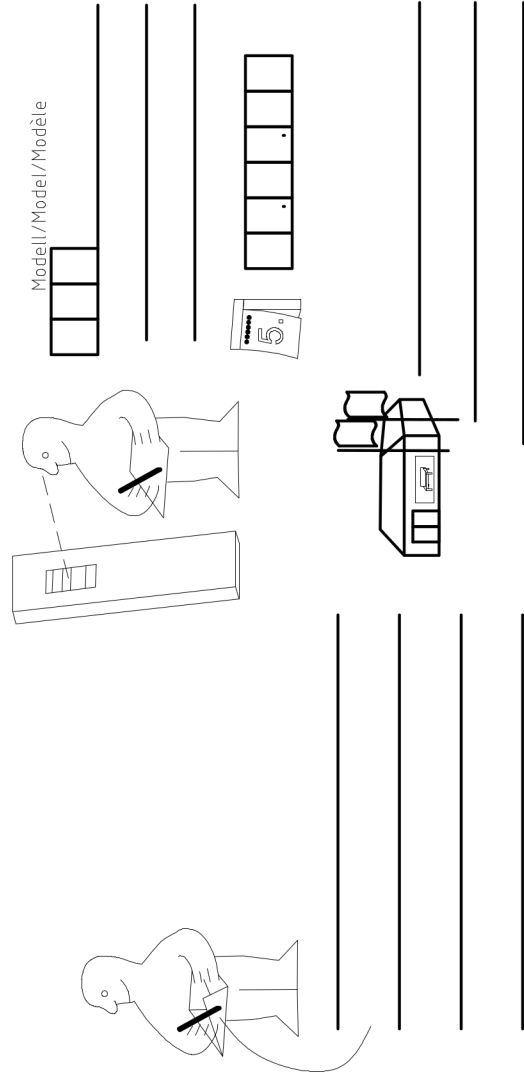
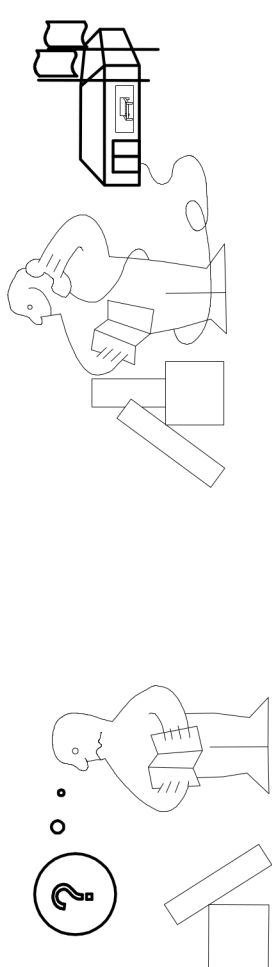
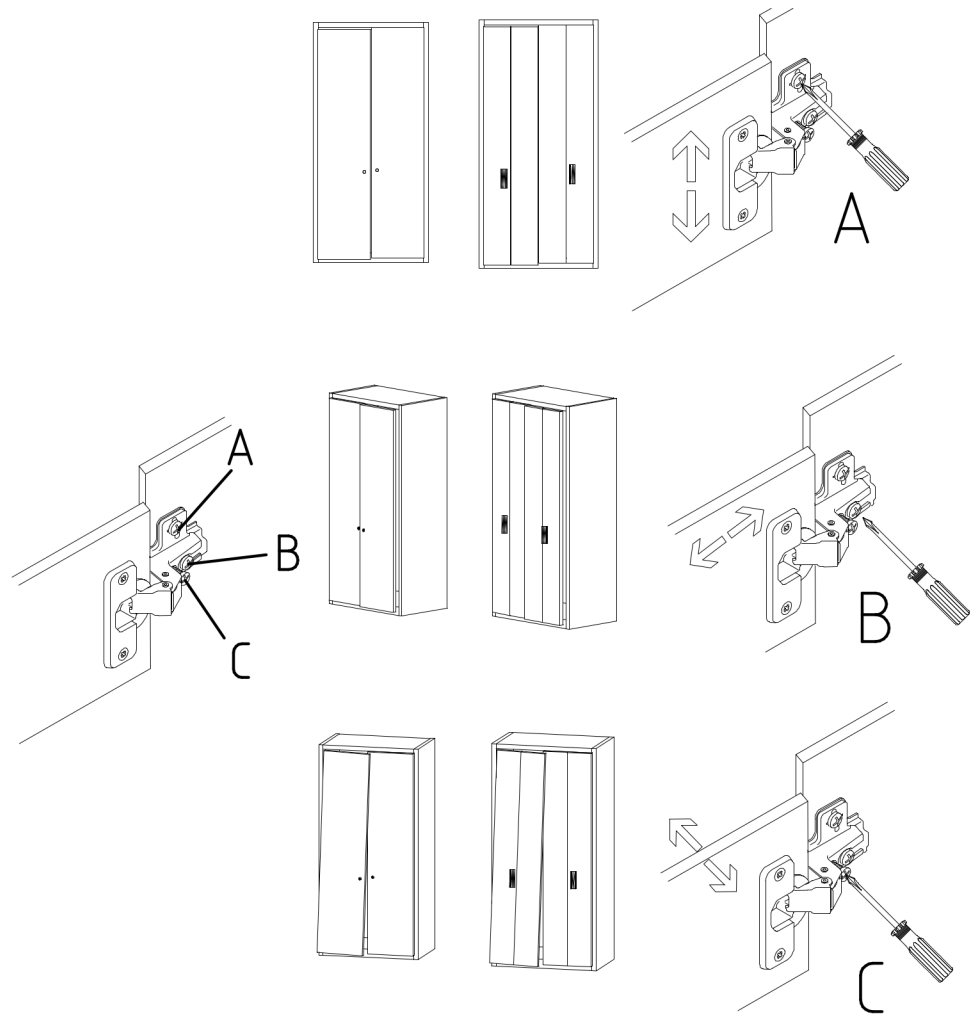
3,5 x 15 mm 121 370	G1	4,0 x 12 mm 122 625	G56
------------------------	----	------------------------	-----



1x!



	SP27
4 X 27mm	
122620	
4,0x22	G49
122 609	



(121 370)	( G 1 )	(4x)				