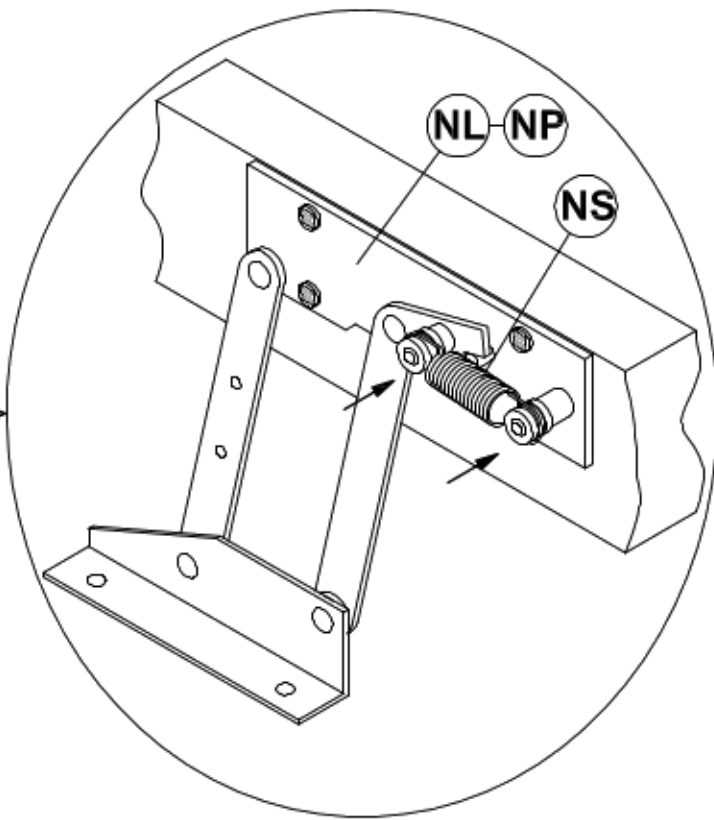
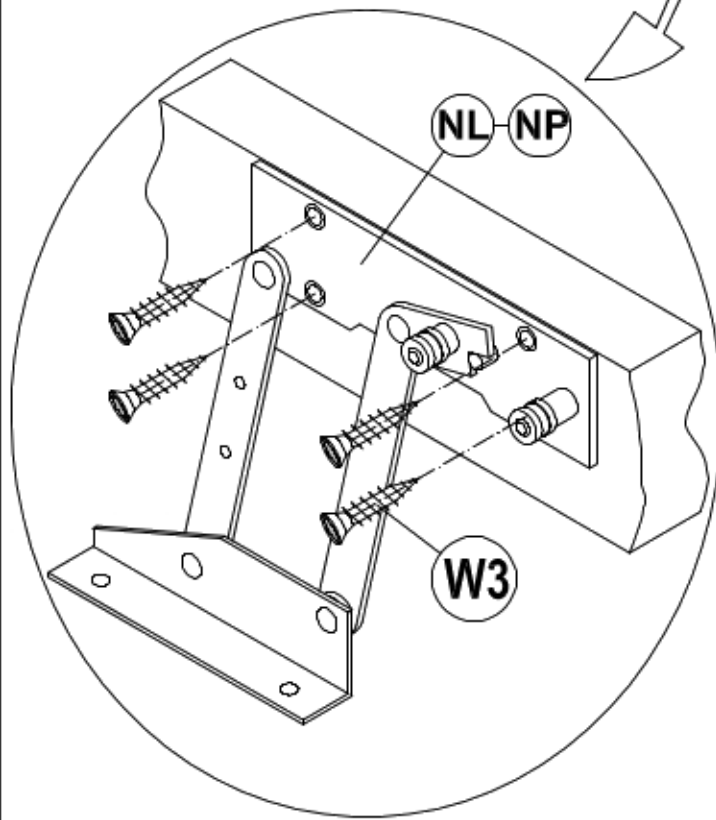
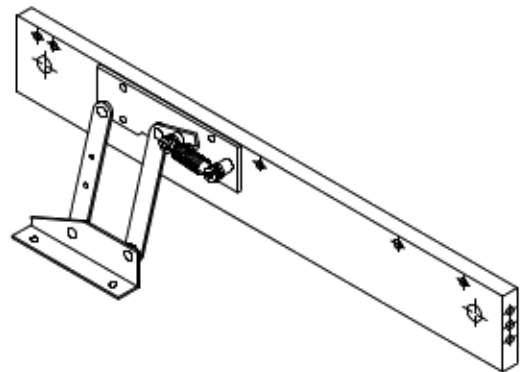
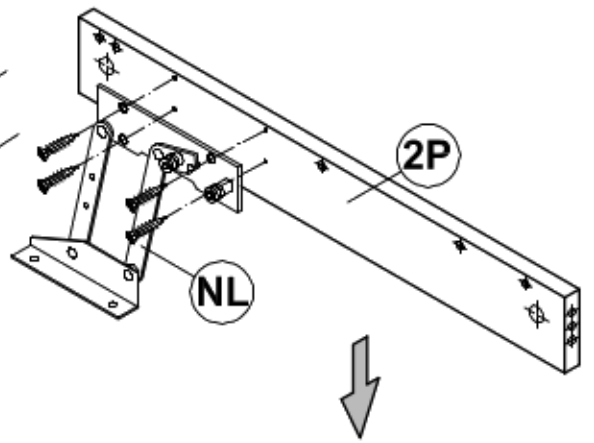
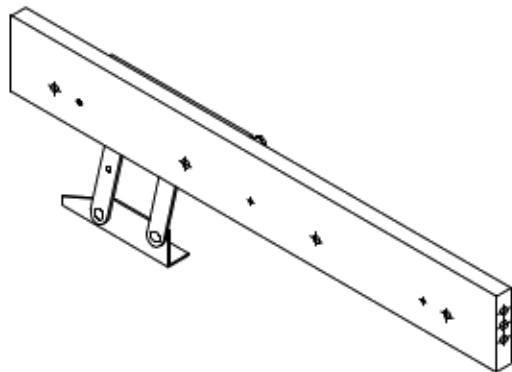
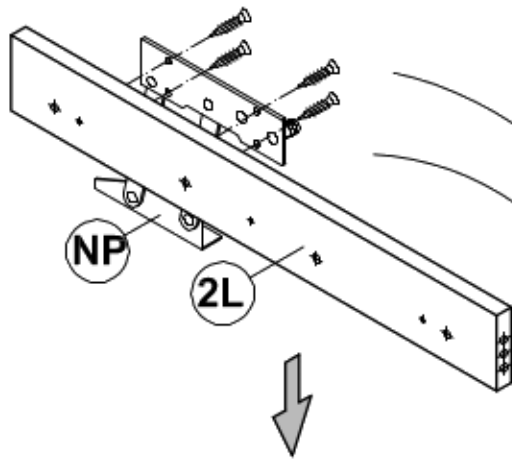
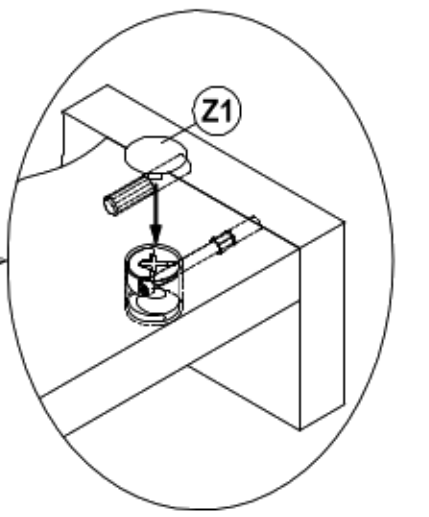
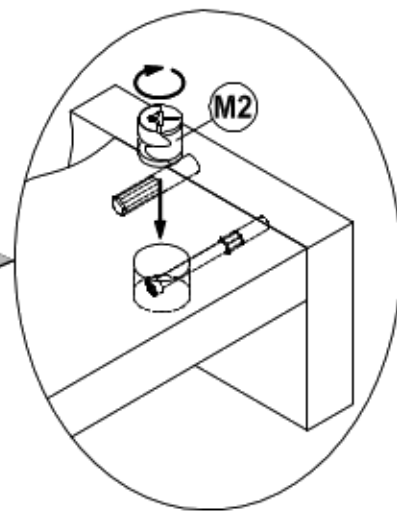
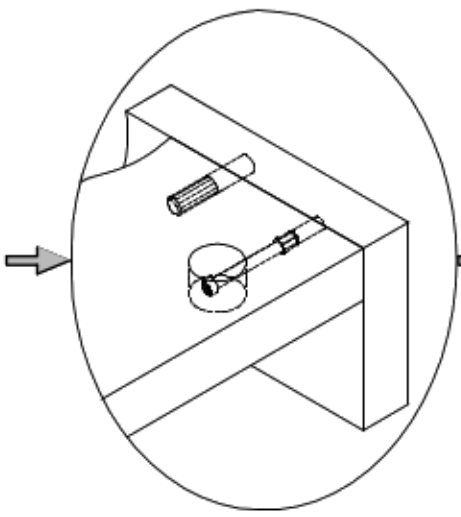
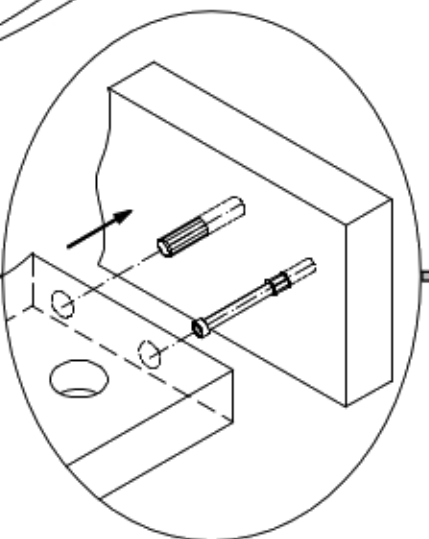
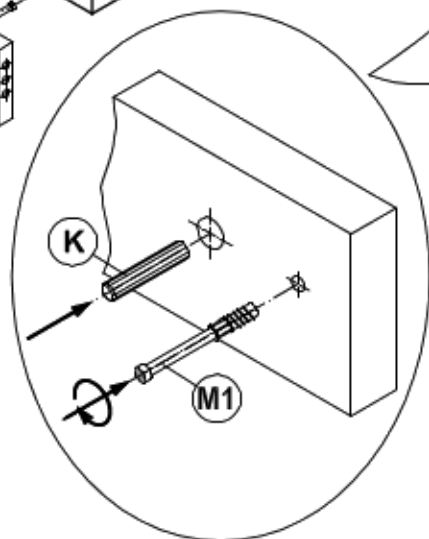
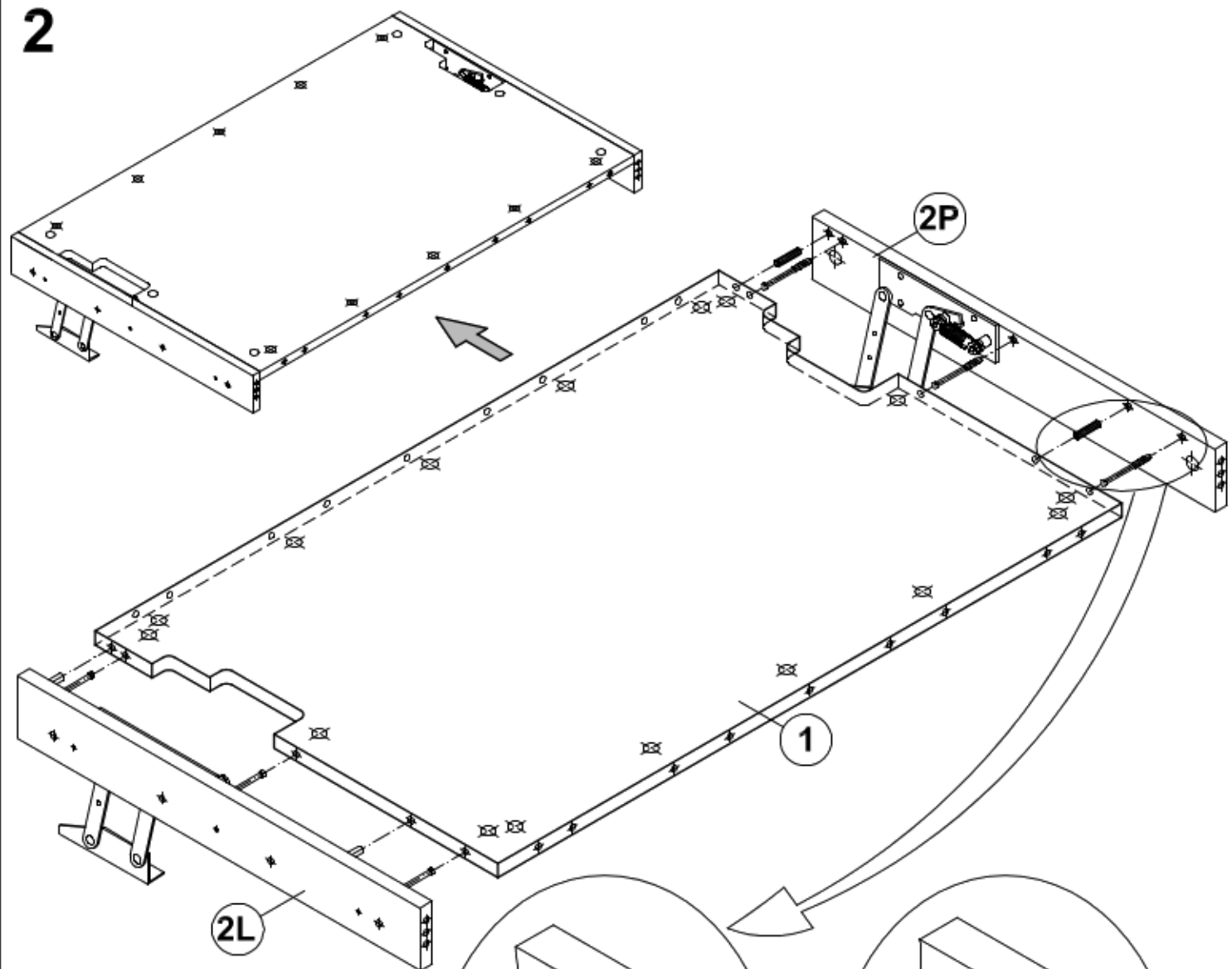


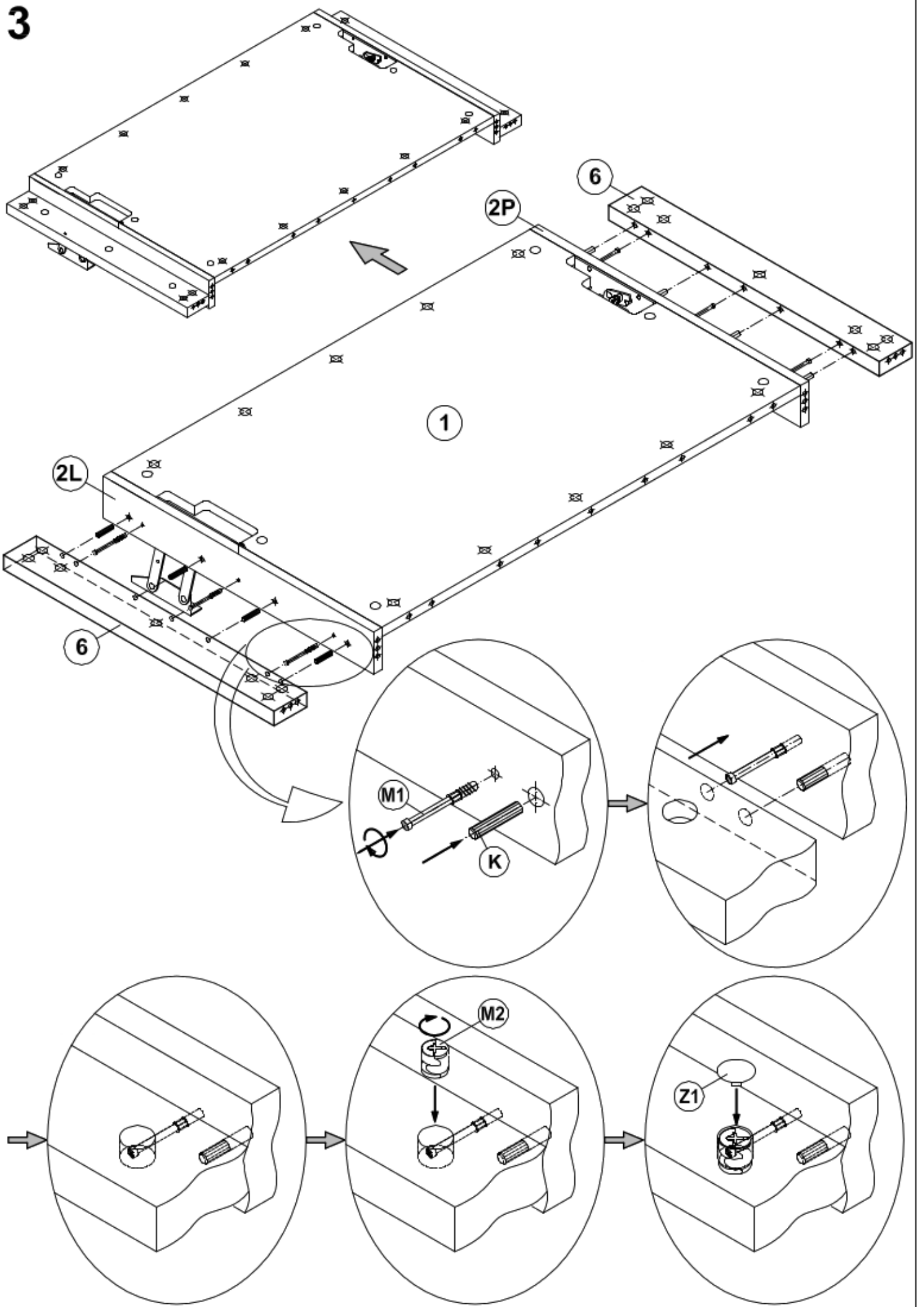
1



2

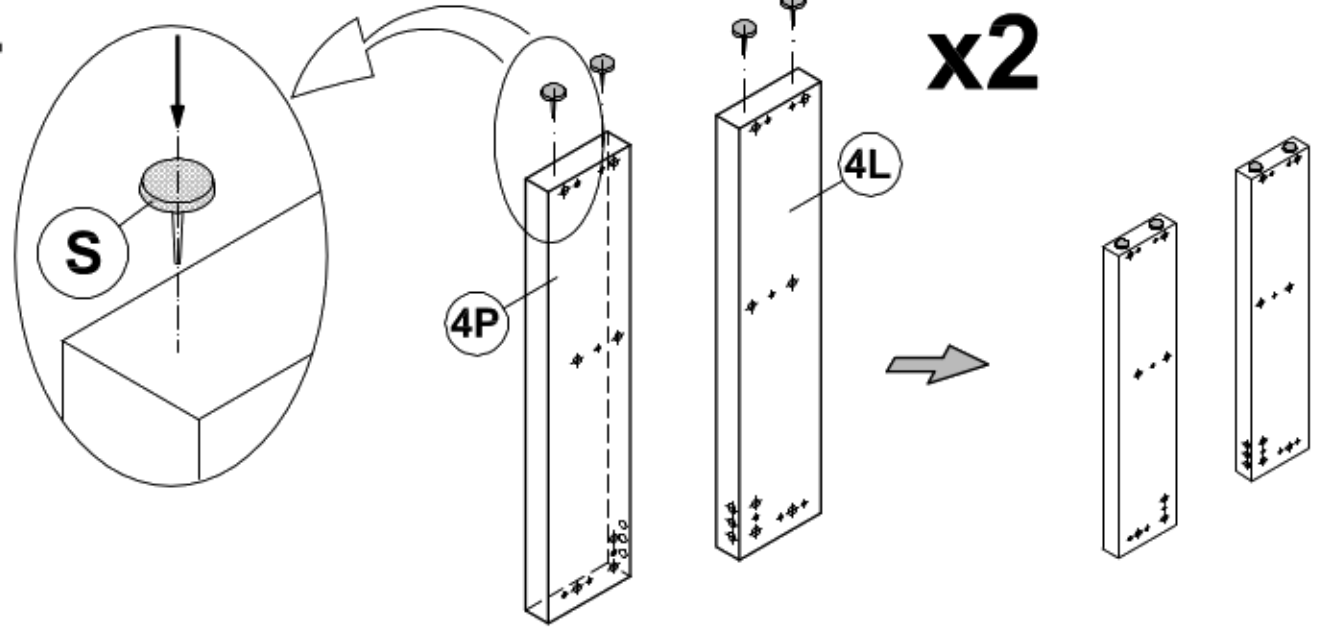


3



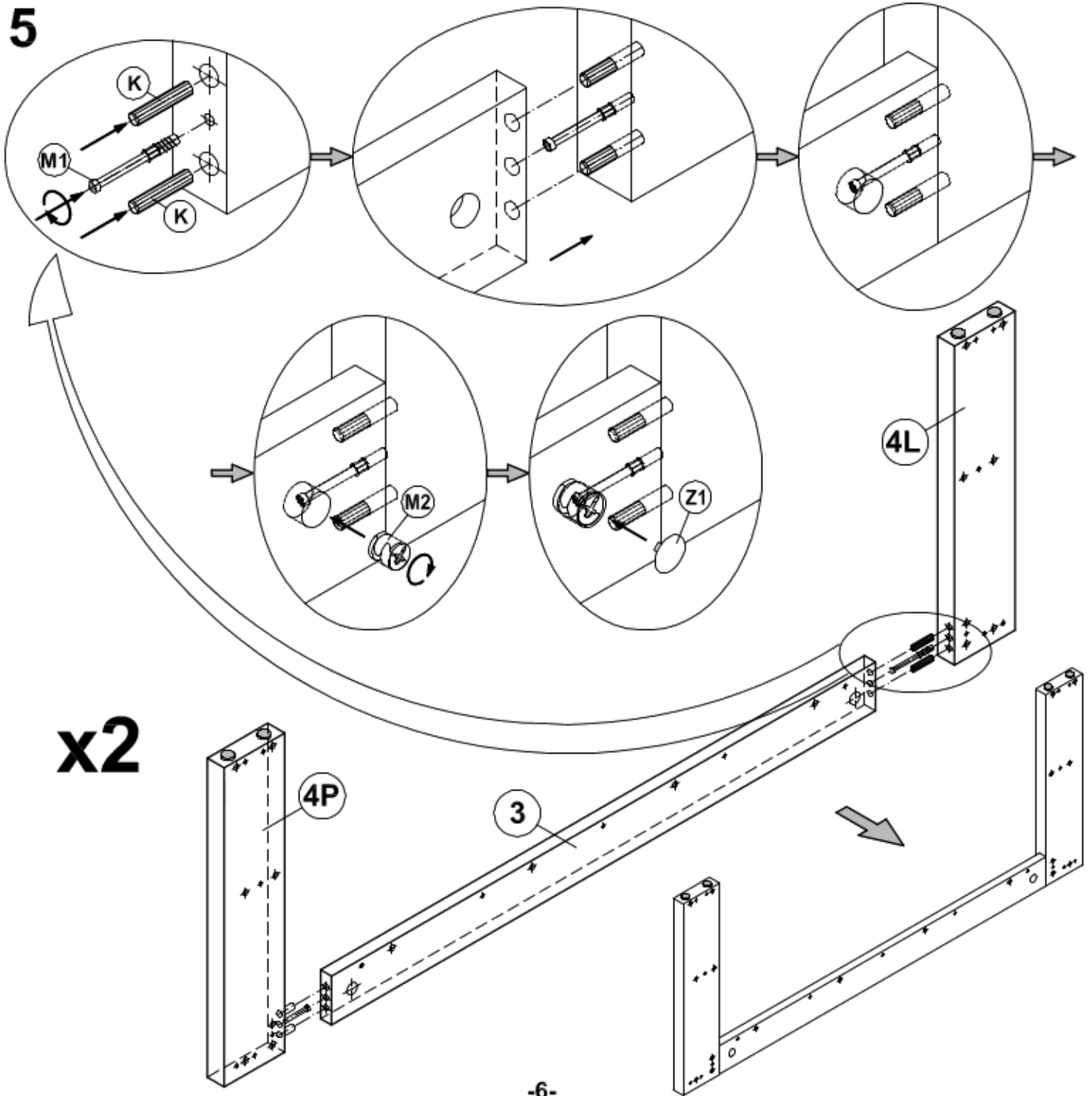
4

x2

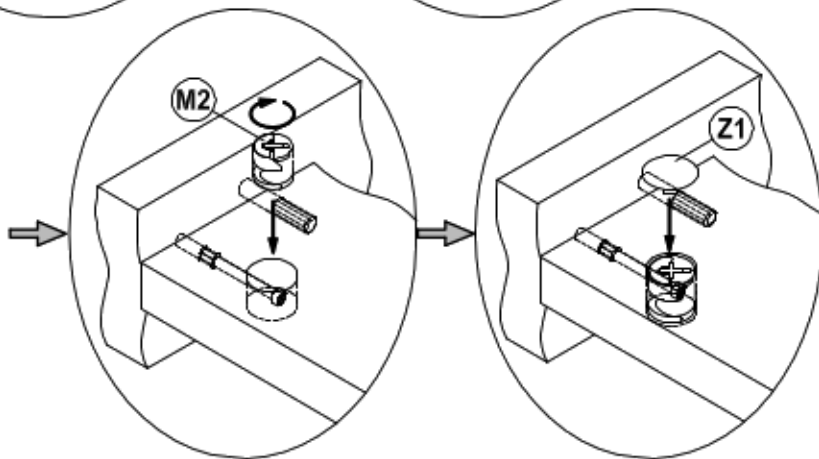
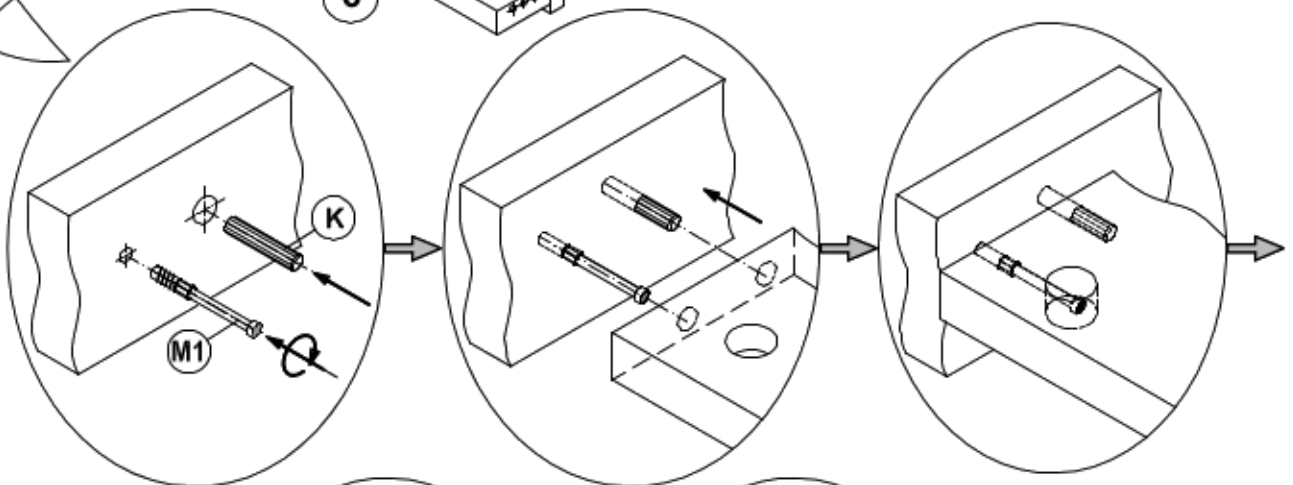
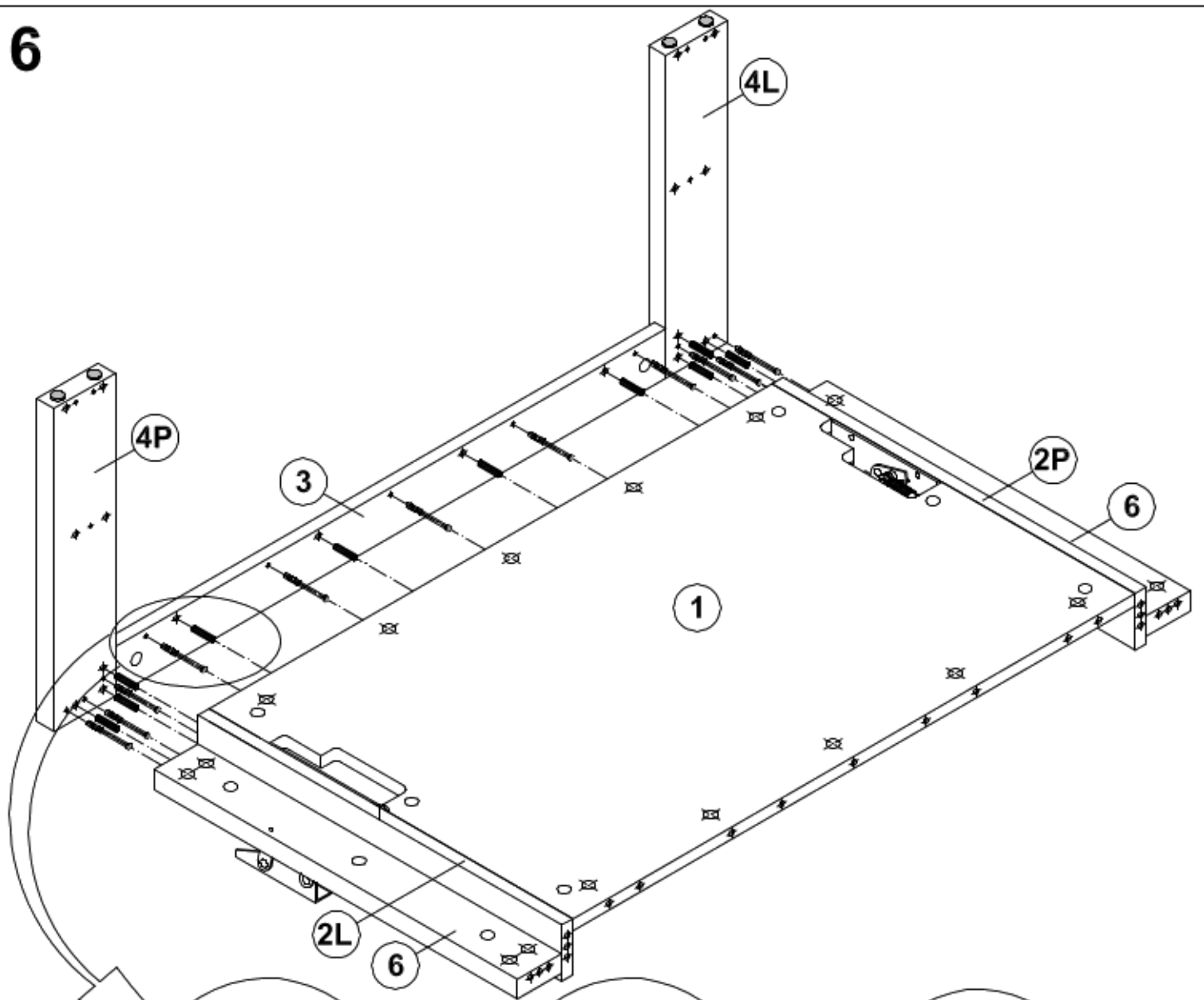


5

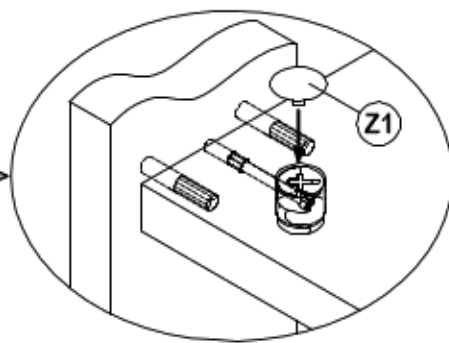
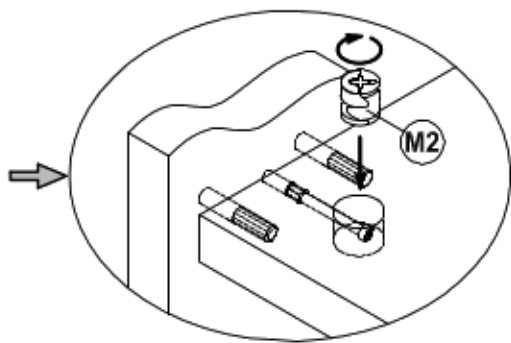
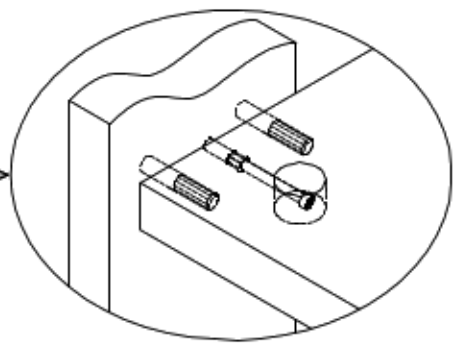
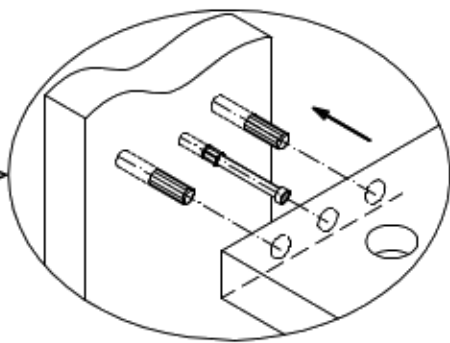
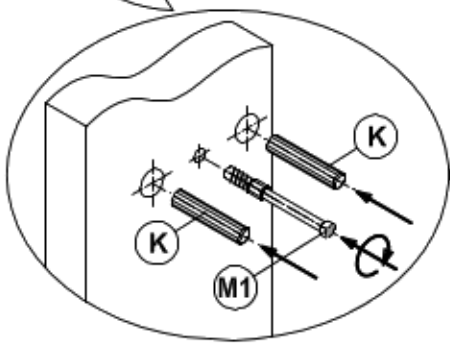
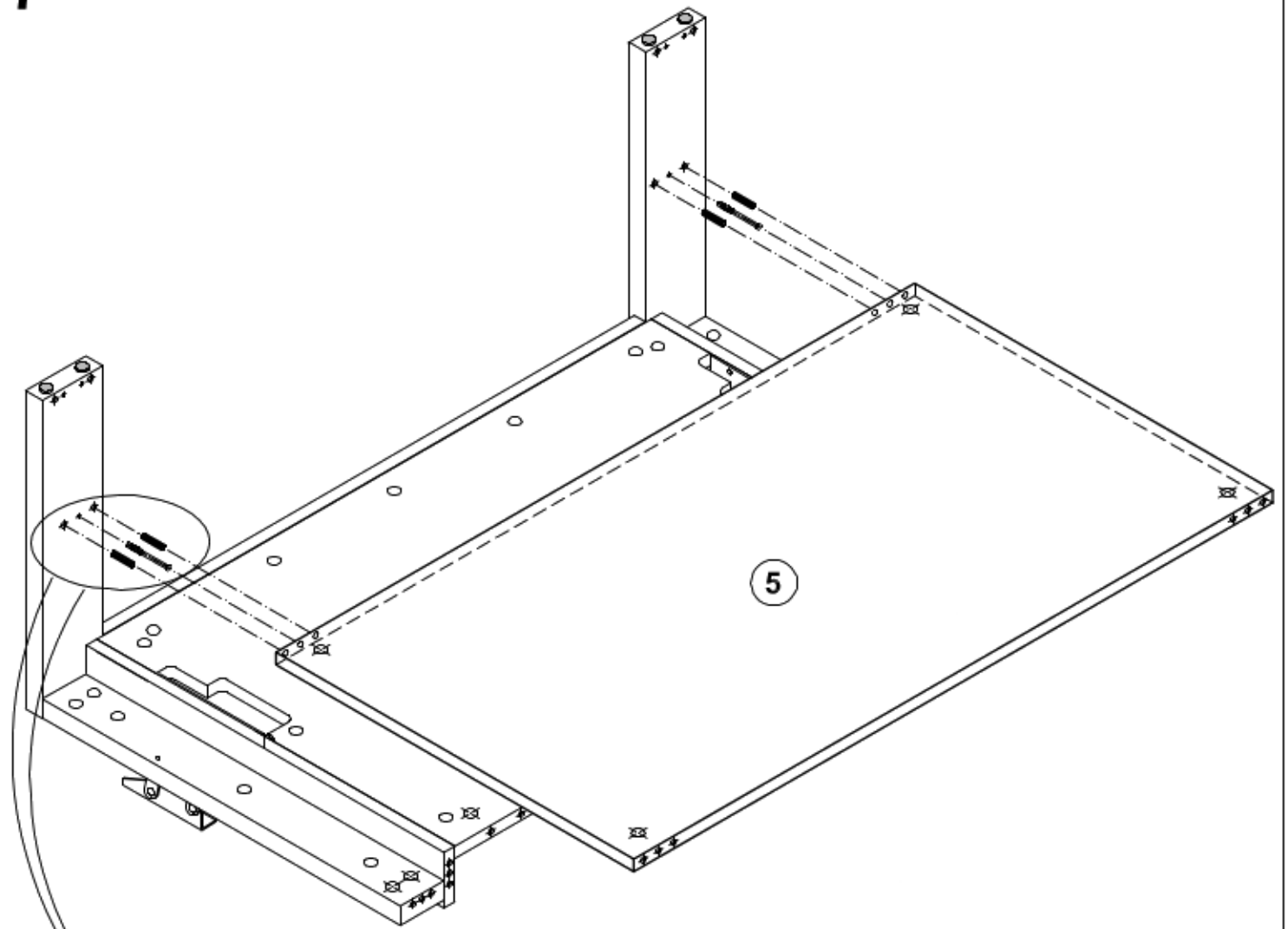
x2



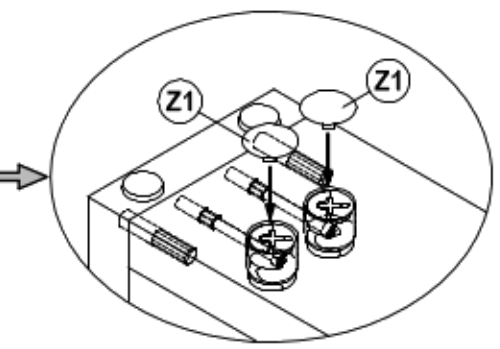
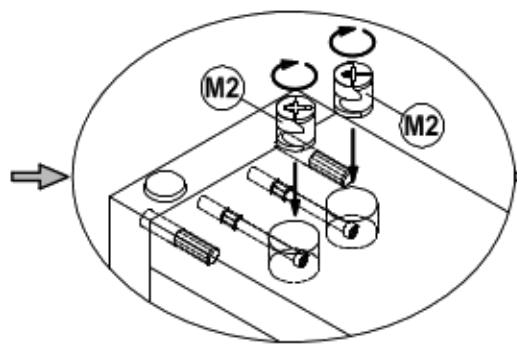
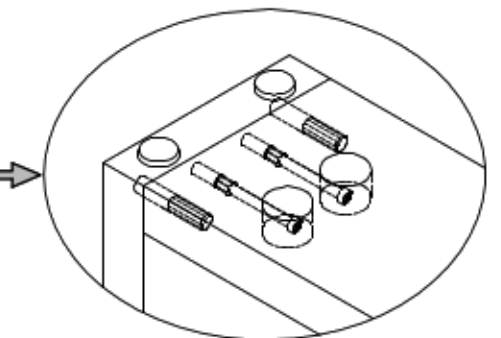
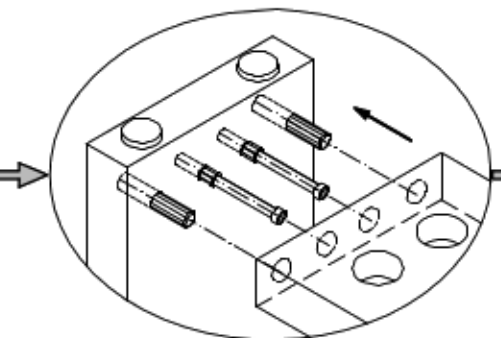
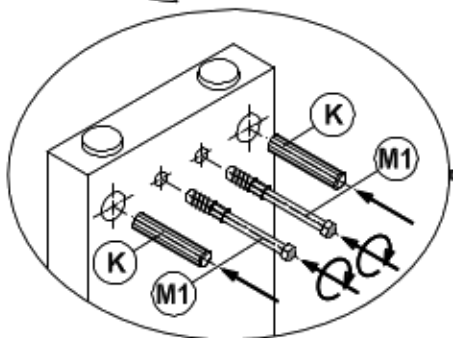
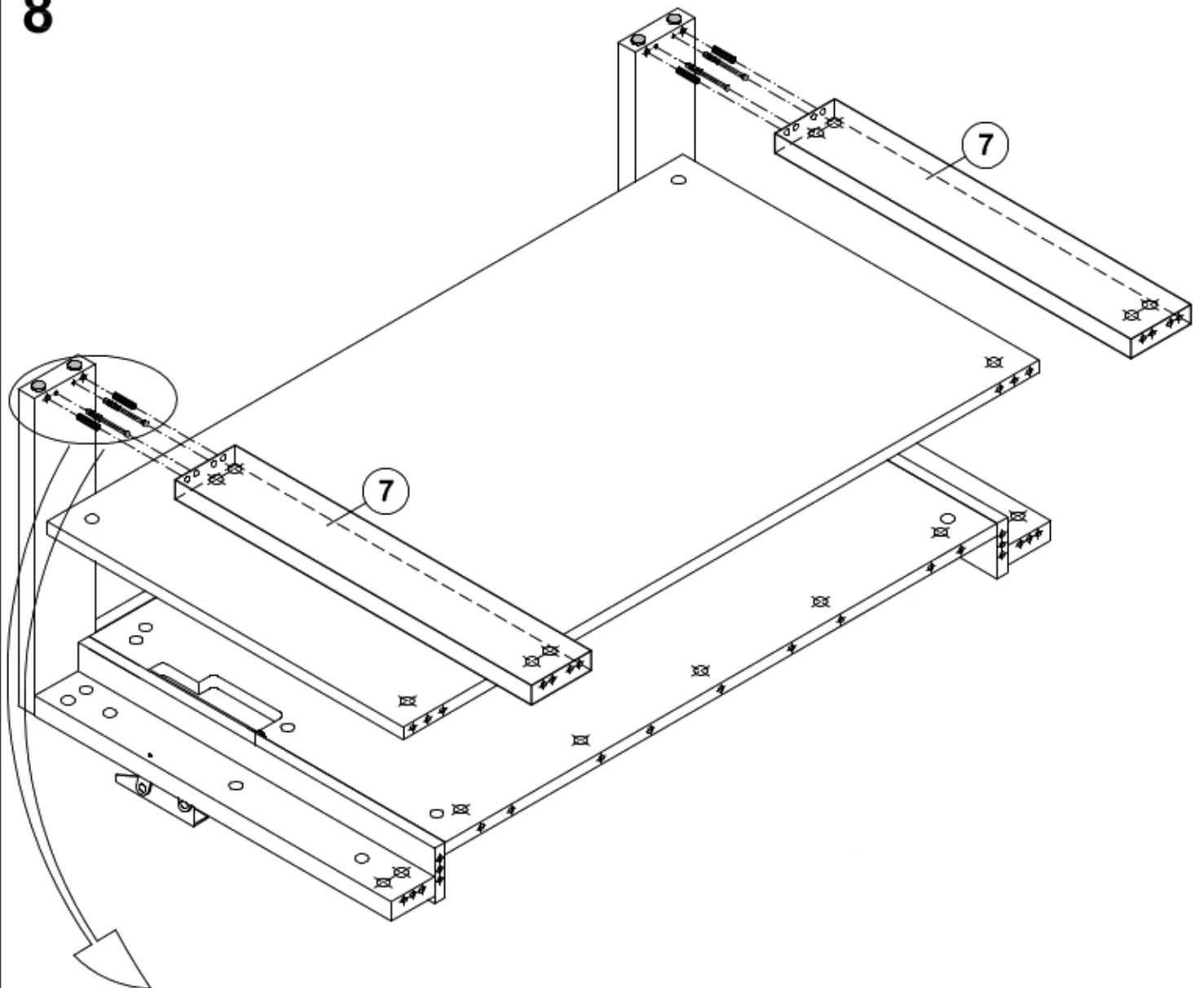
6



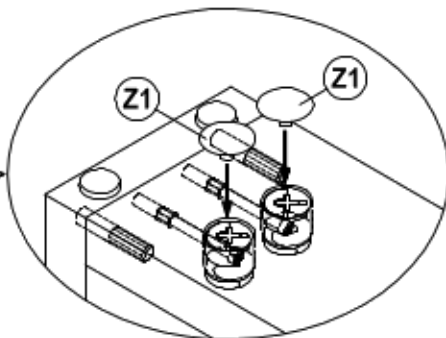
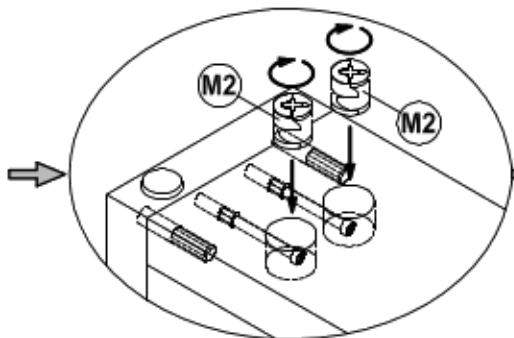
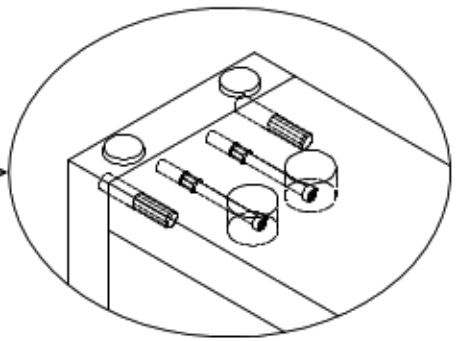
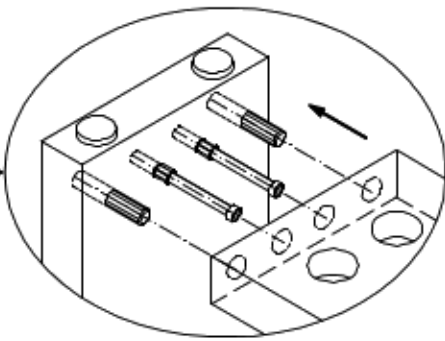
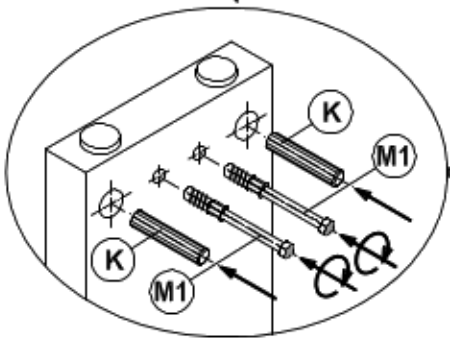
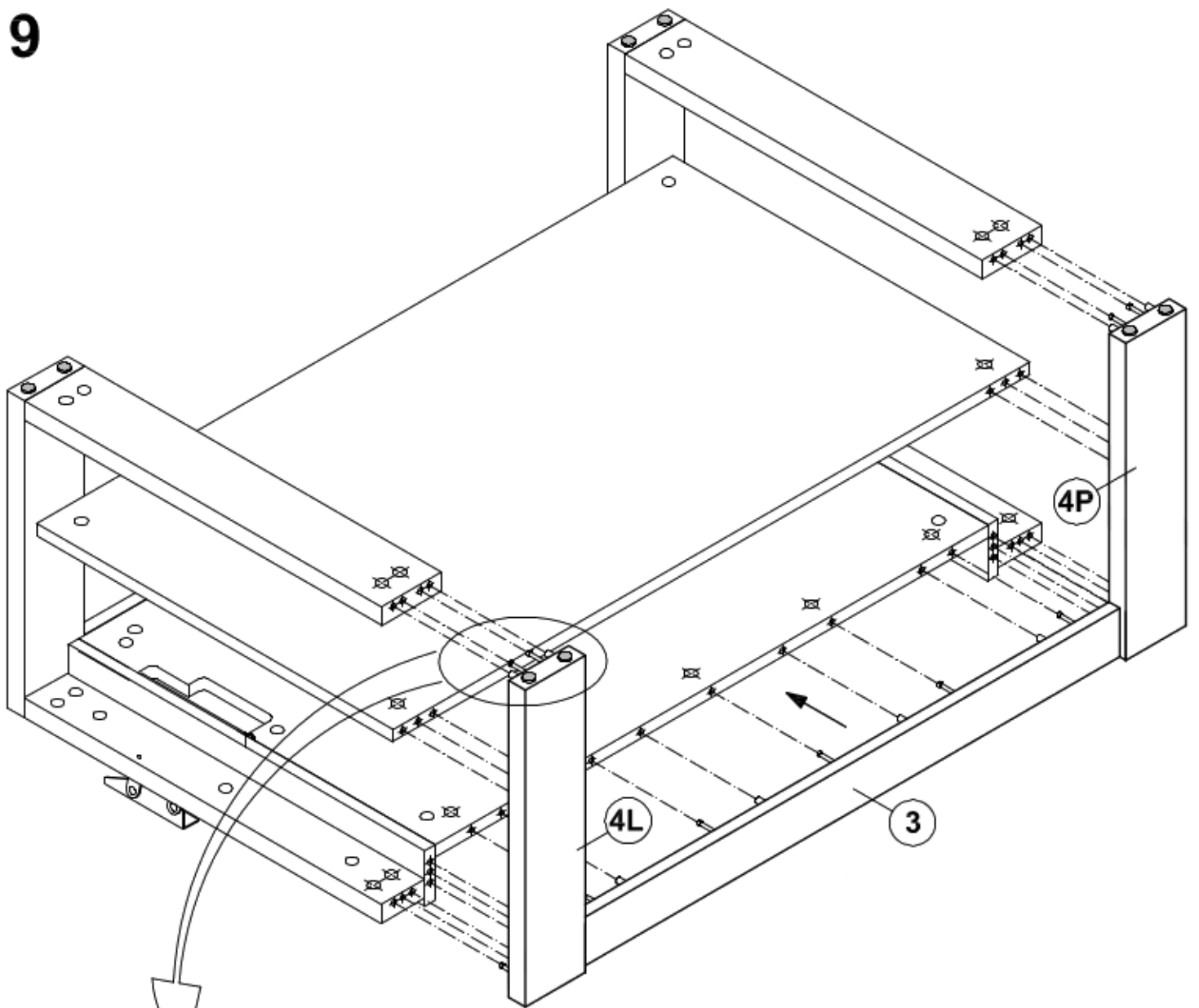
7



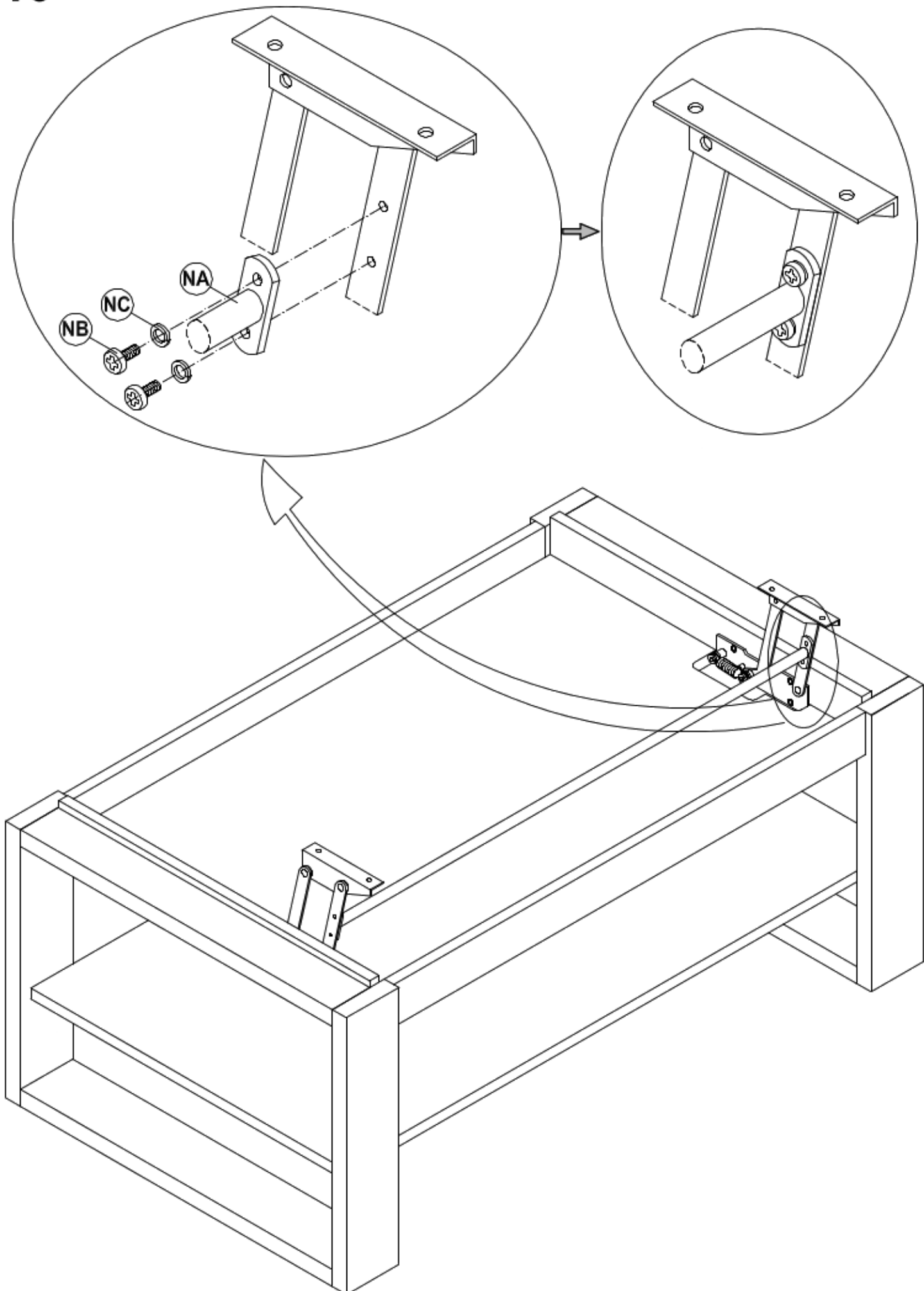




9

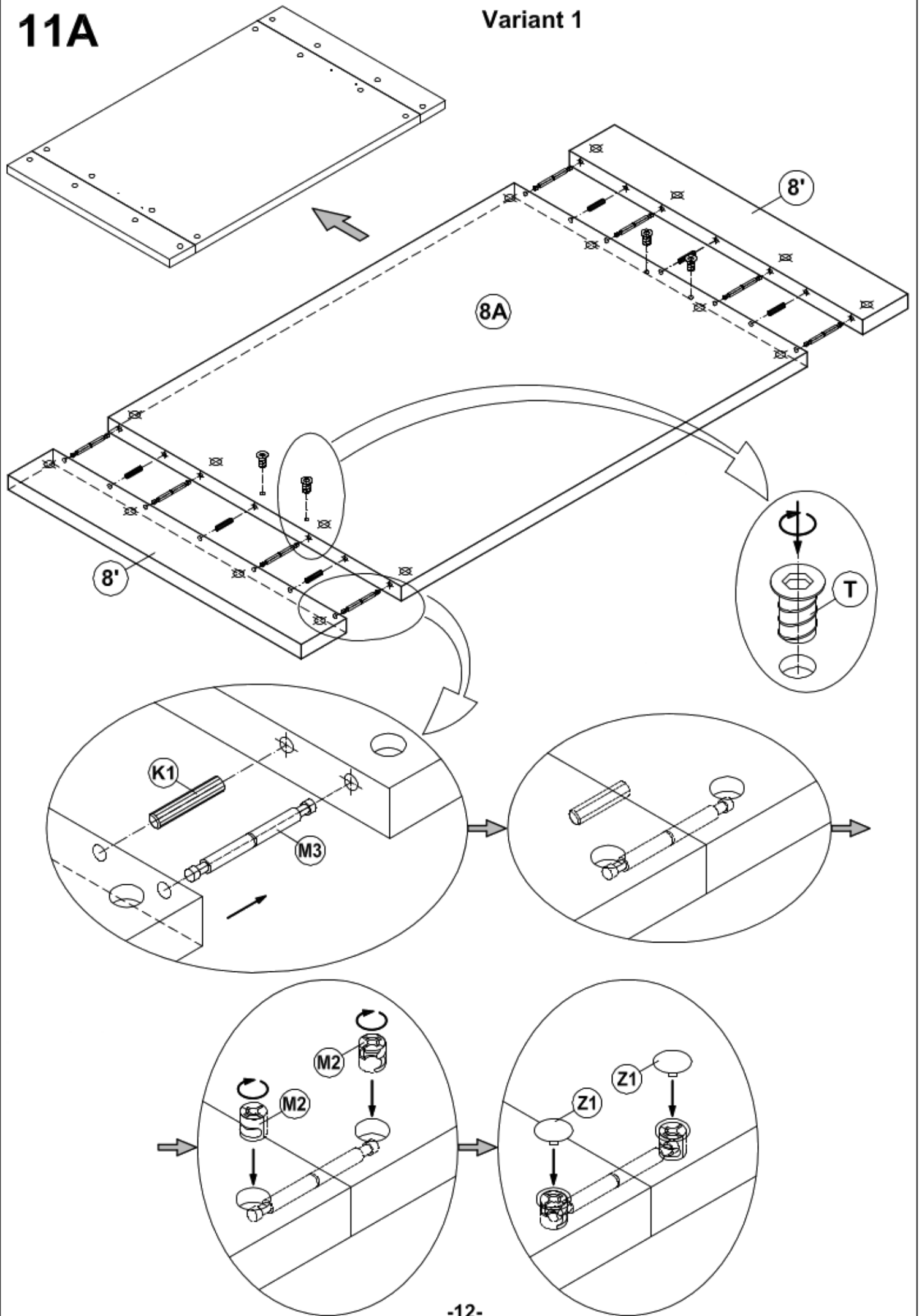


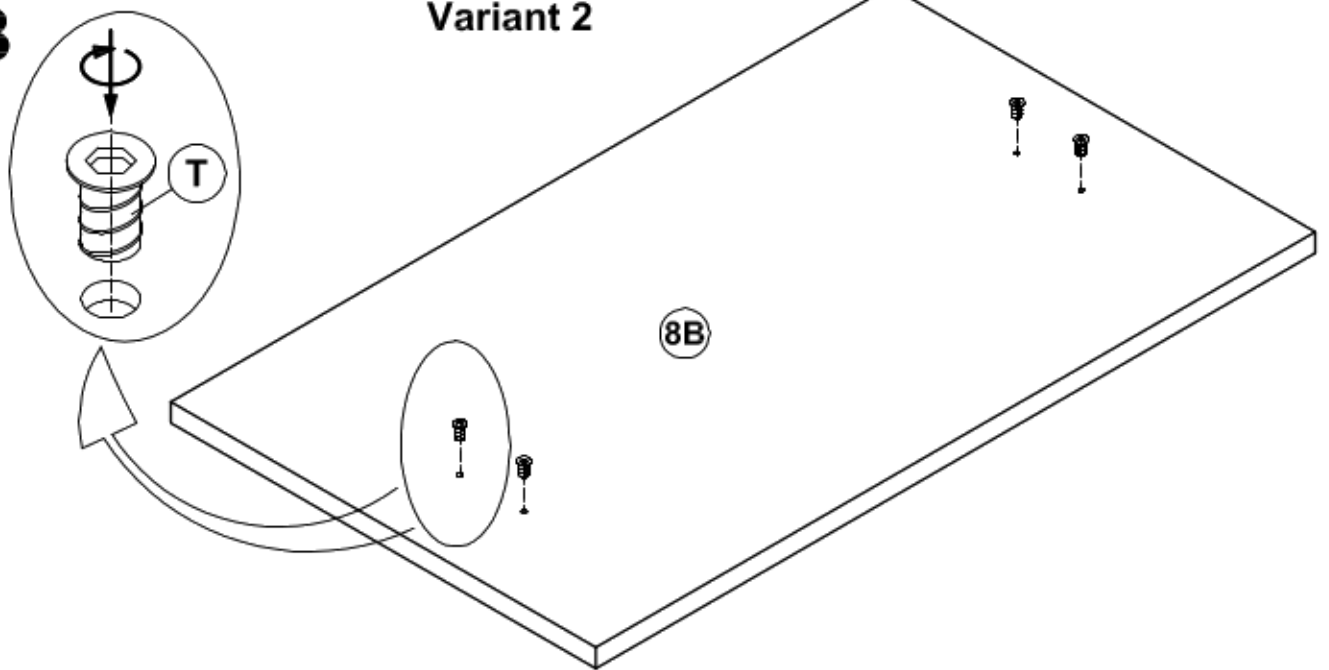
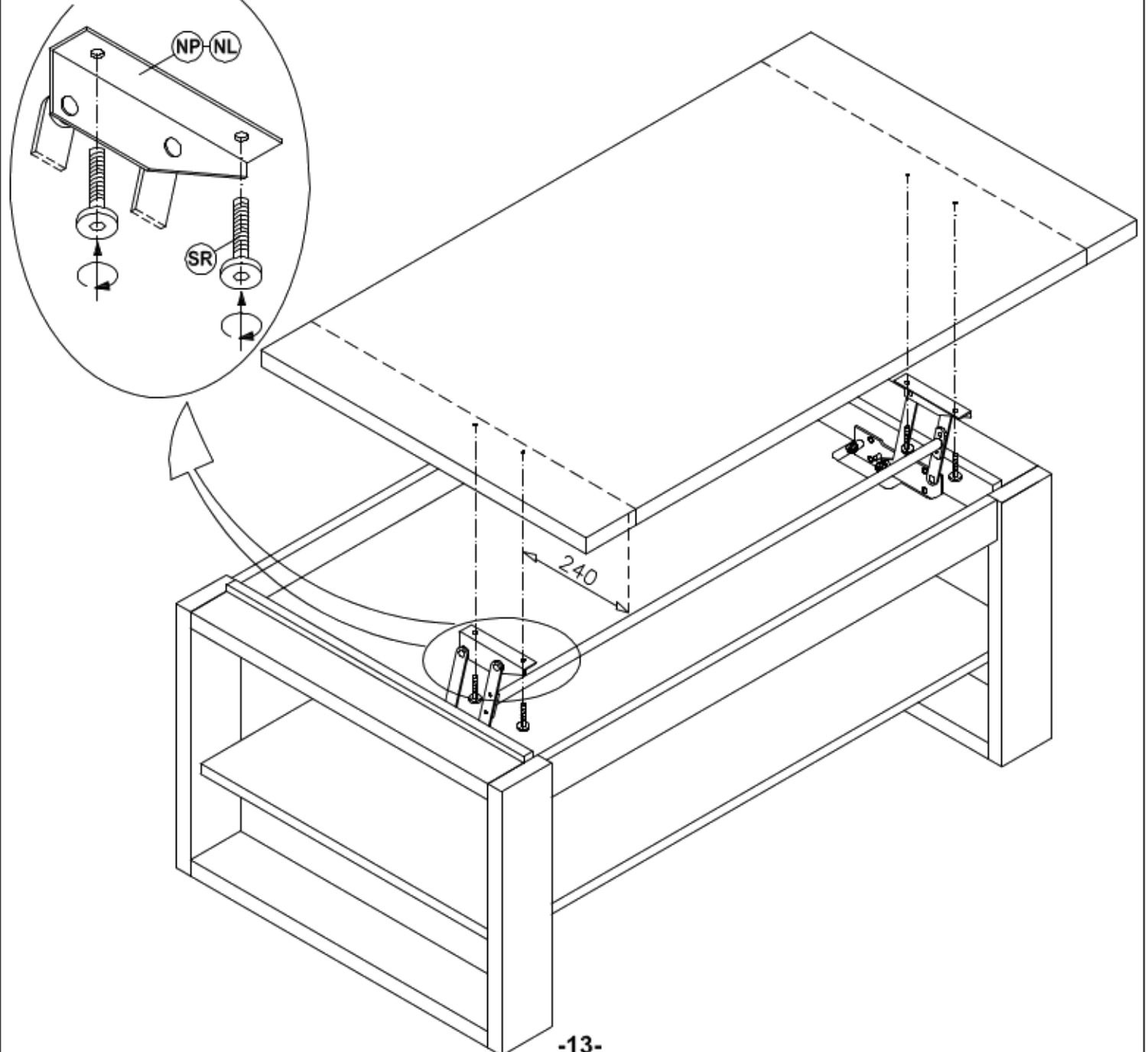
10



# 11A

## Variant 1



**11B****Variant 2****11A/B****Variant 1 / Variant 2**

**12A/B**

Variant 1 / Variant 2

