



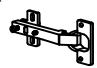



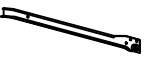







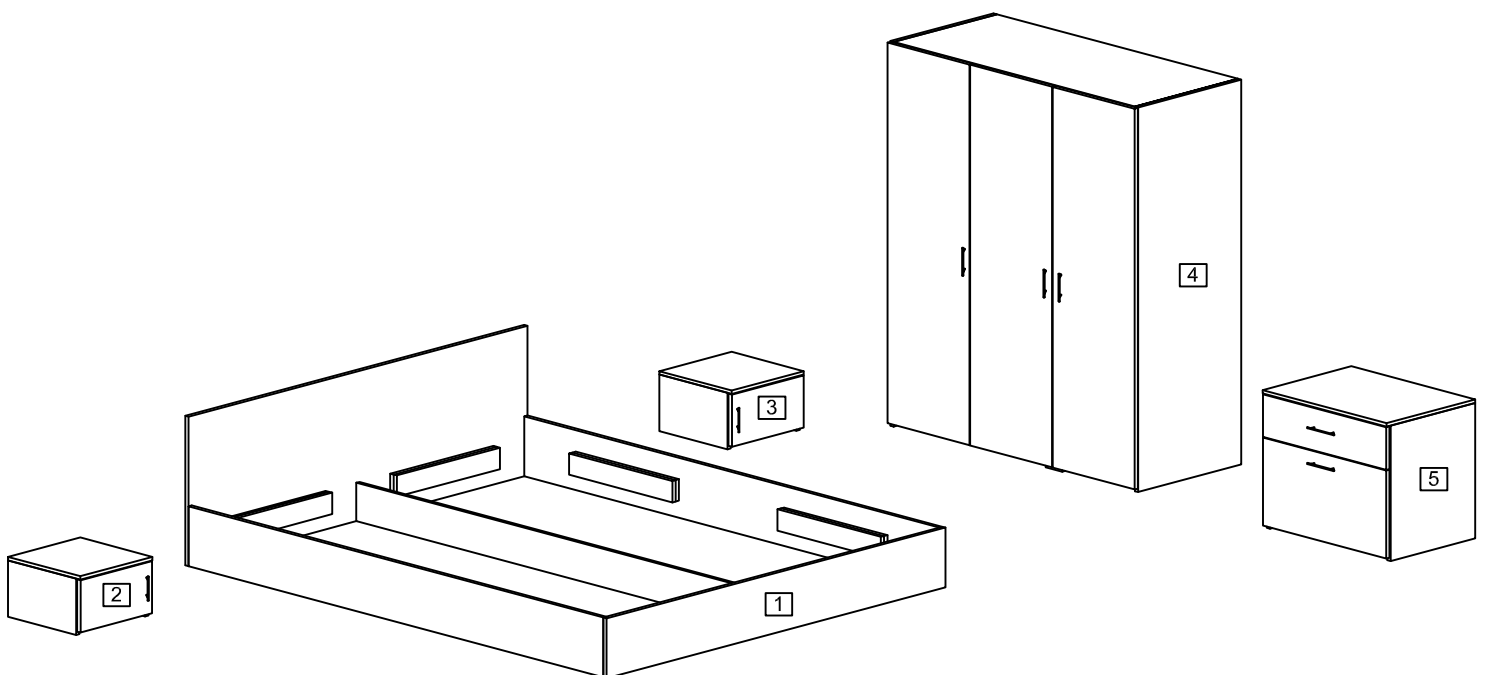


# Piza

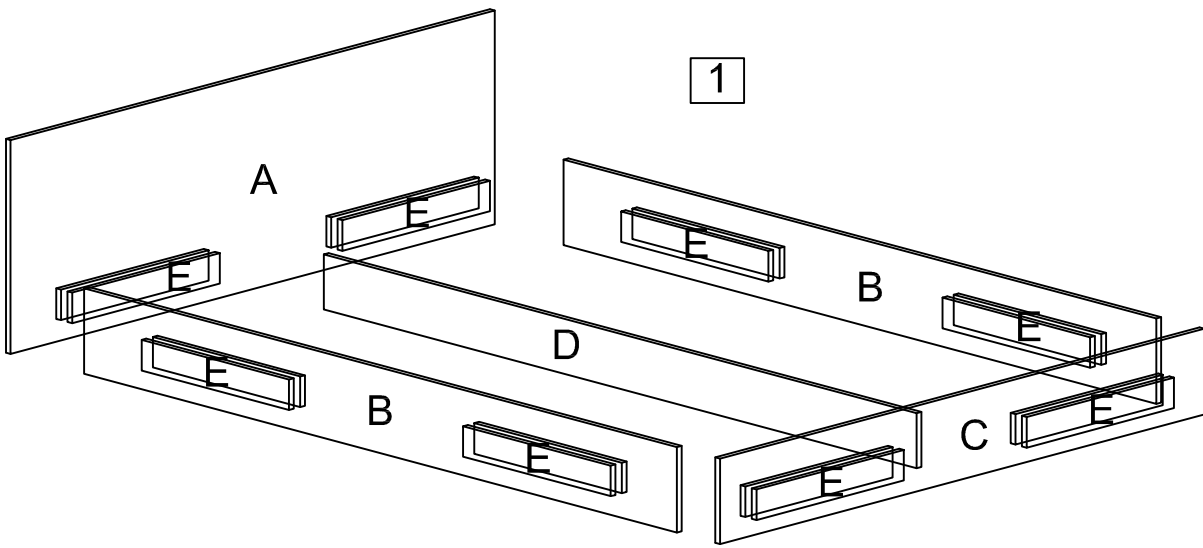
A	1642x700	2/7
B	2x 2010x280	1/7
C	1642x280	2/7
D	2010x180	1/7
E	16x 500x100	1,2/7
F	2x 350x350	3/7
G	2x 245x347	3/7
H	2x 318x330	3/7
I	264x330	3/7
J	264x330	3/7
K	260x345	3/7
L	1800x500	4/7
M	1752x500	4/7
N	1800x500	4/7
O	1168x500	5/7
P	1168x500	5/7

Q	2x 384x420	5/7
R	500x80	5/7
T	3x 1781x397	6/7
U	1780x405	4/7
V	2x 1780x394	4/7
W	634x410	7/7
X	634x410	7/7
Y	568x410	7/7
Z	600x430	7/7
AA	2x 400x150	7/7
AB	511x150	7/7
AC	200x597	7/7
AD	540x408	7/7
AE	412x597	7/7
AF	630x595	2/7

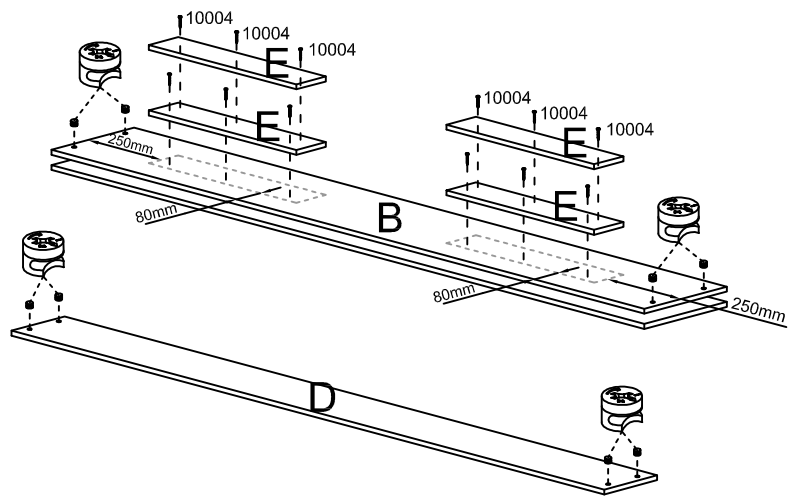
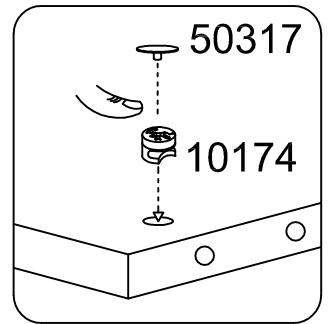
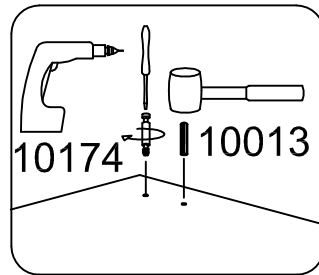
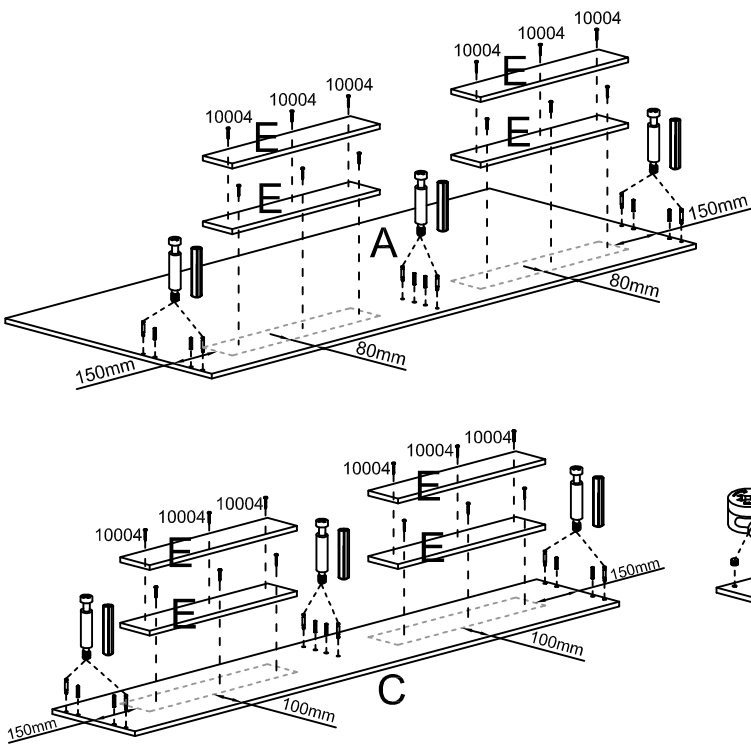
52x  10174	56x  Φ 8/30 10013	52x  50317	2x  40161	13x  40202	2x  50011	1x  40011	7x  20340
1x  L= 400mm 50955	27x  50246	14x  M 4x20 10063	80x  Φ 3,5/16 10001	55x  Φ 3,5/20 10002	65x  Φ 3,5/30 10004	8x  50332	 10033



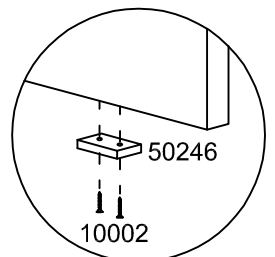
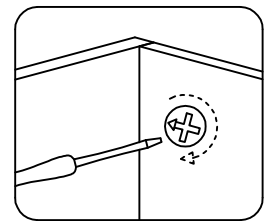
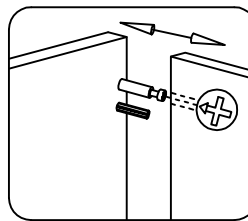
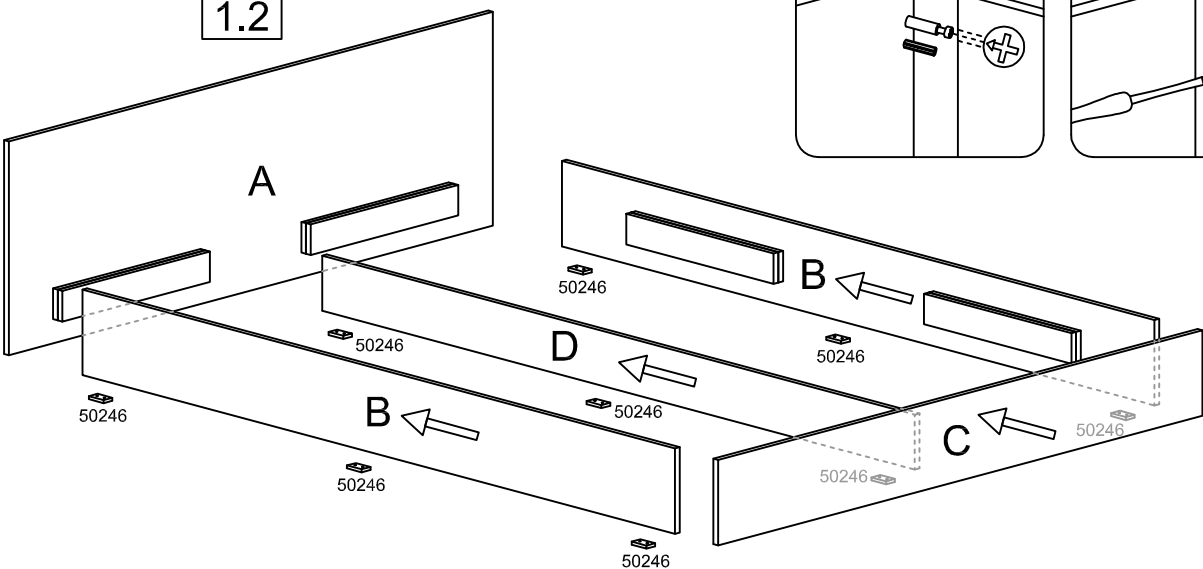
1



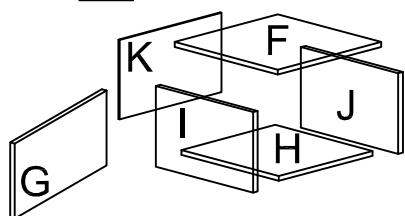
1.1



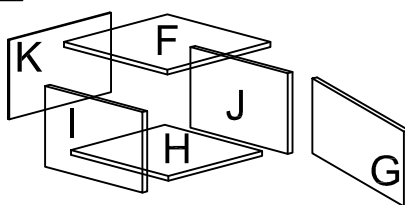
1.2



2

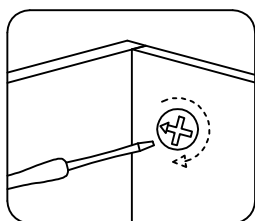
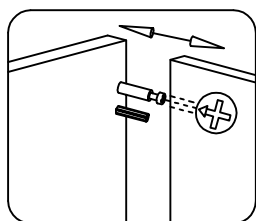
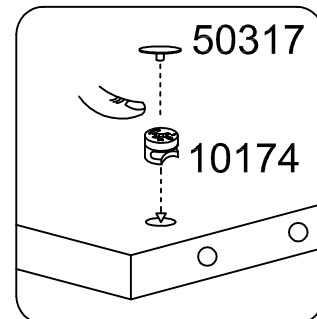
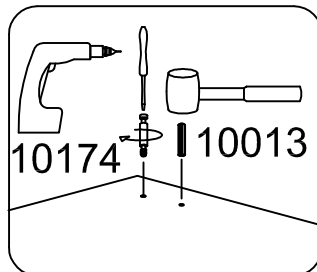
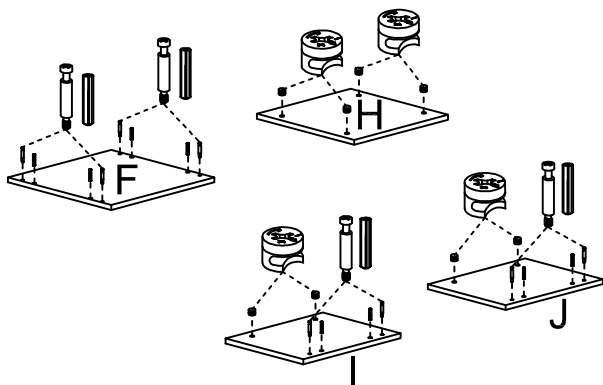


3



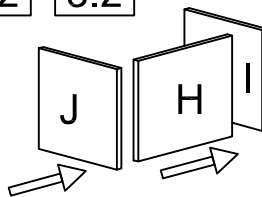
2.1

3.1



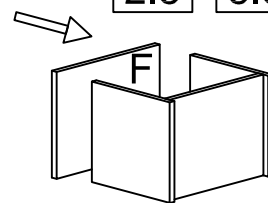
2.2

3.2



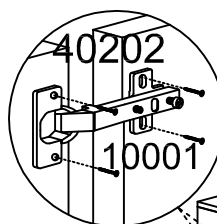
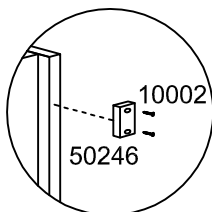
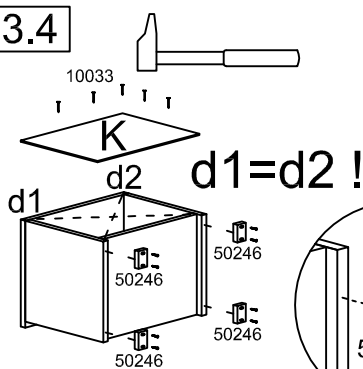
2.3

3.3

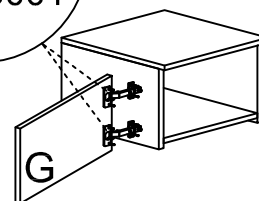
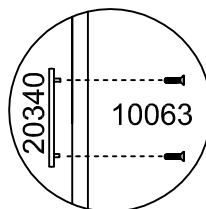


2.4

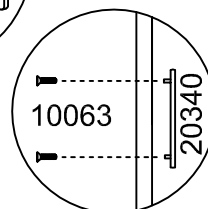
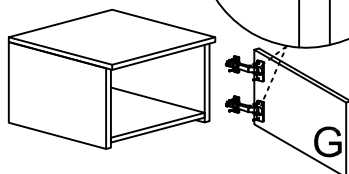
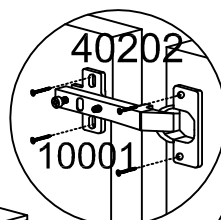
3.4



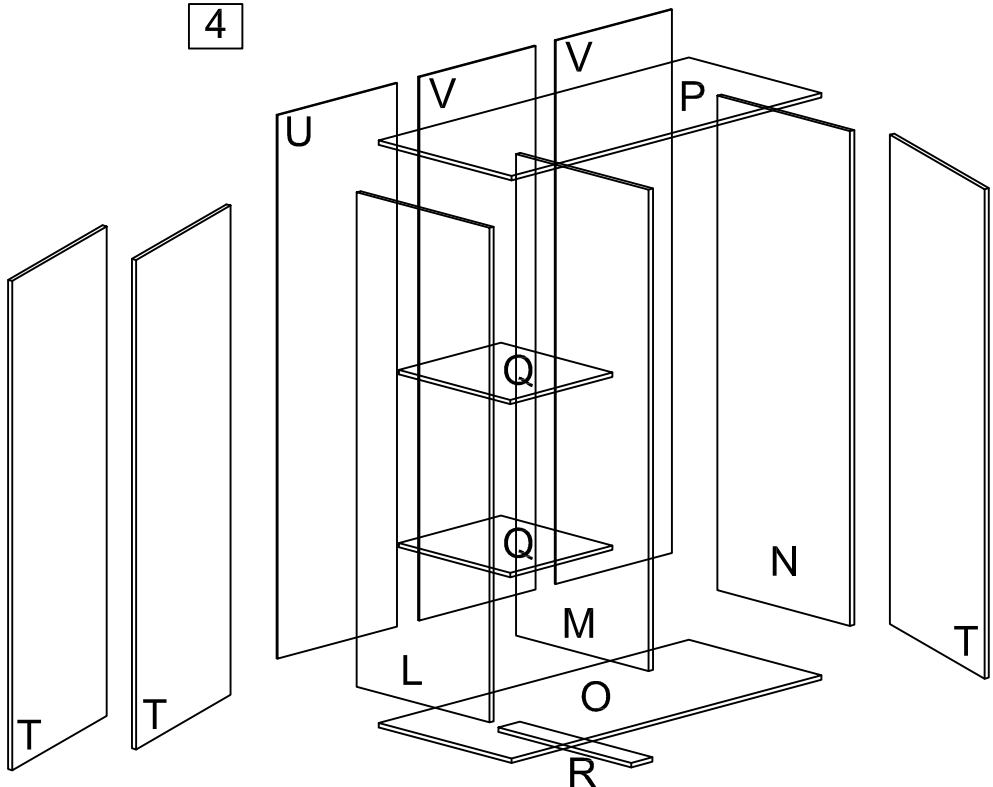
2.5



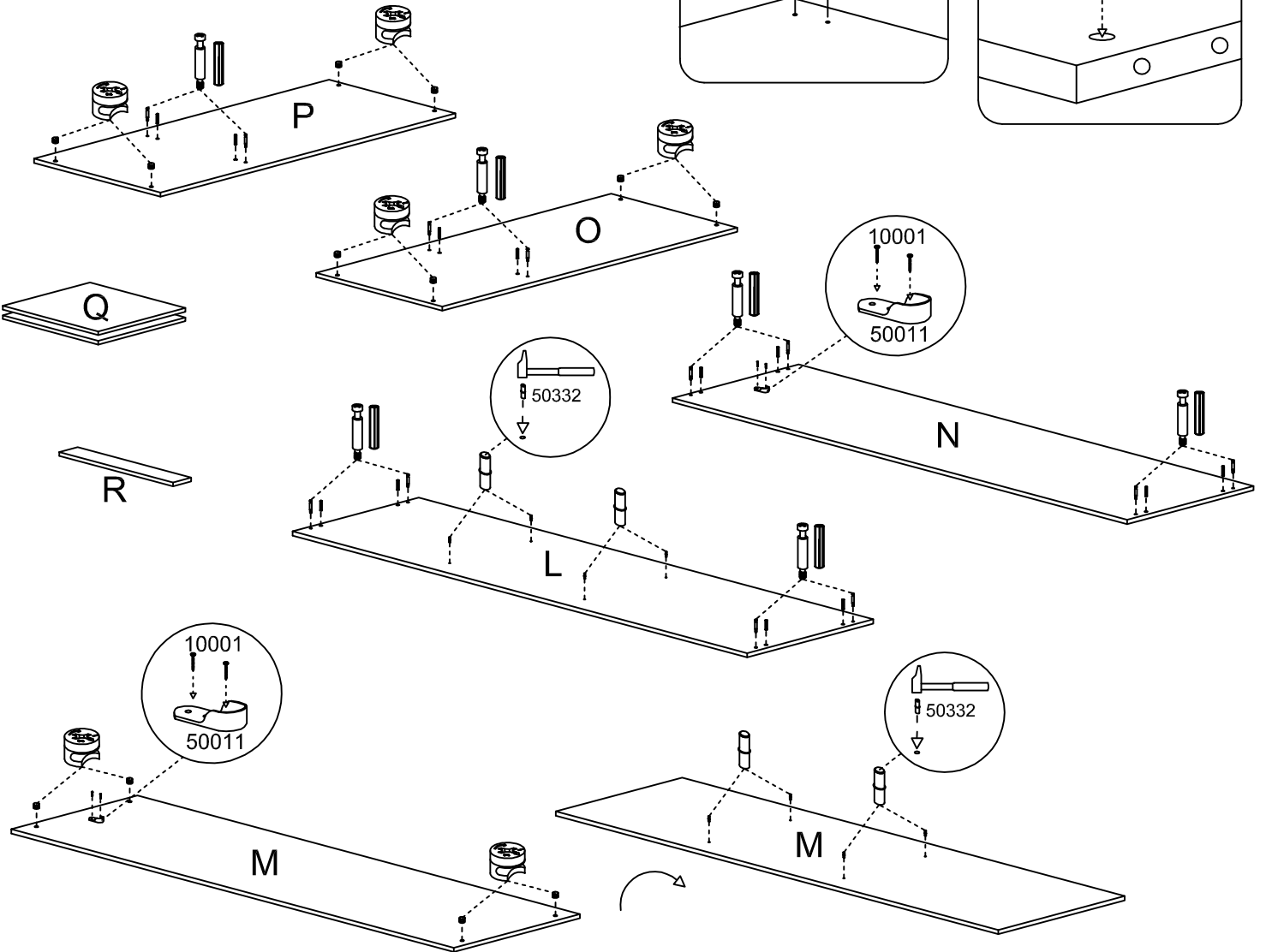
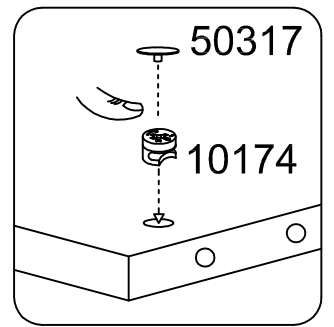
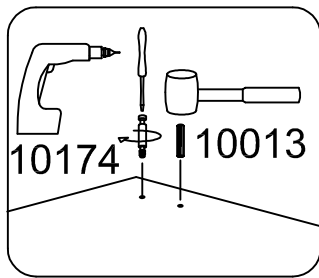
3.5

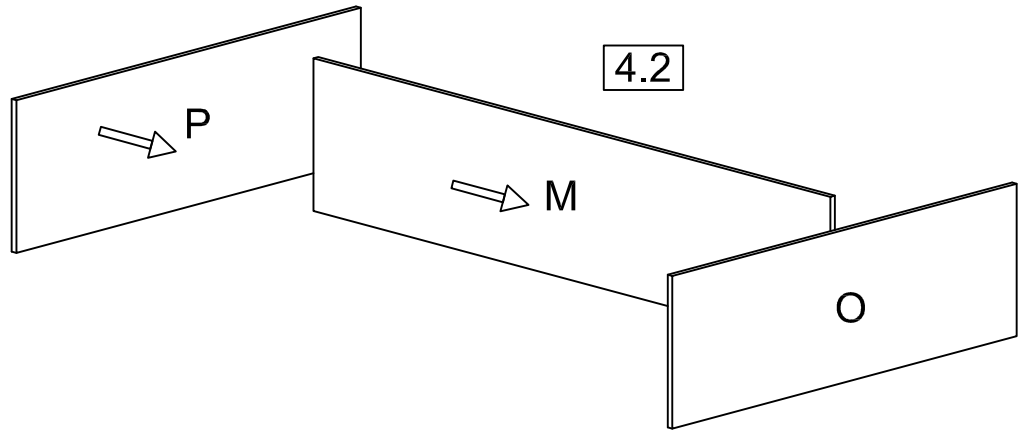
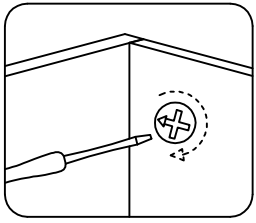
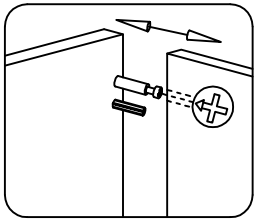


4

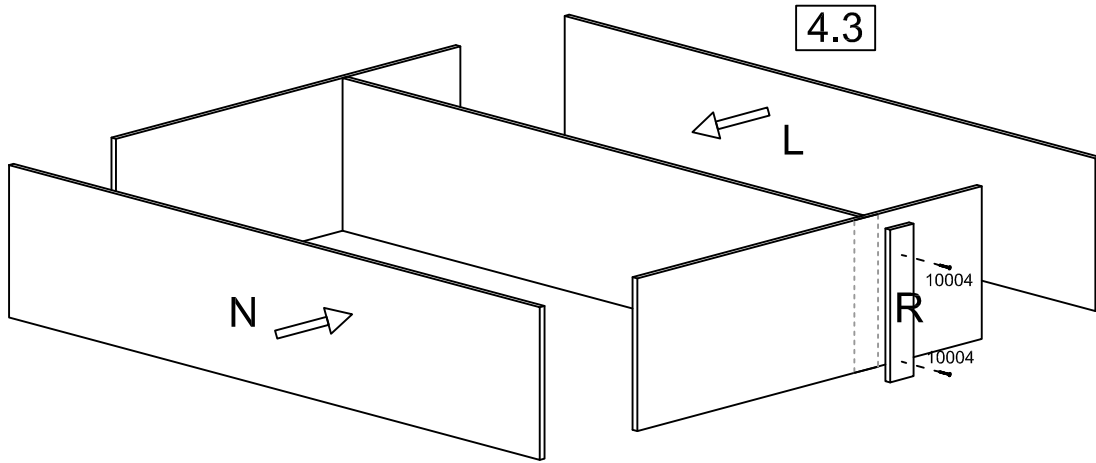


4.1

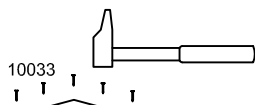
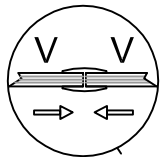
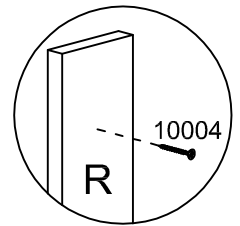




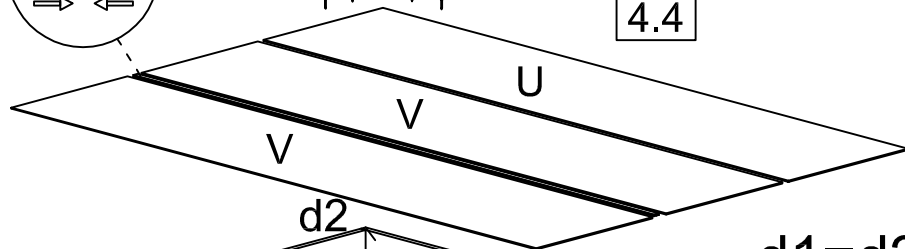
4.2



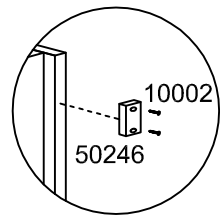
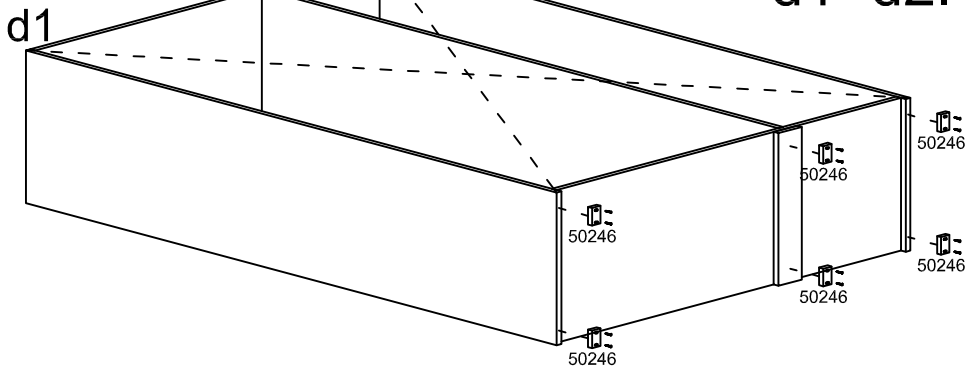
4.3

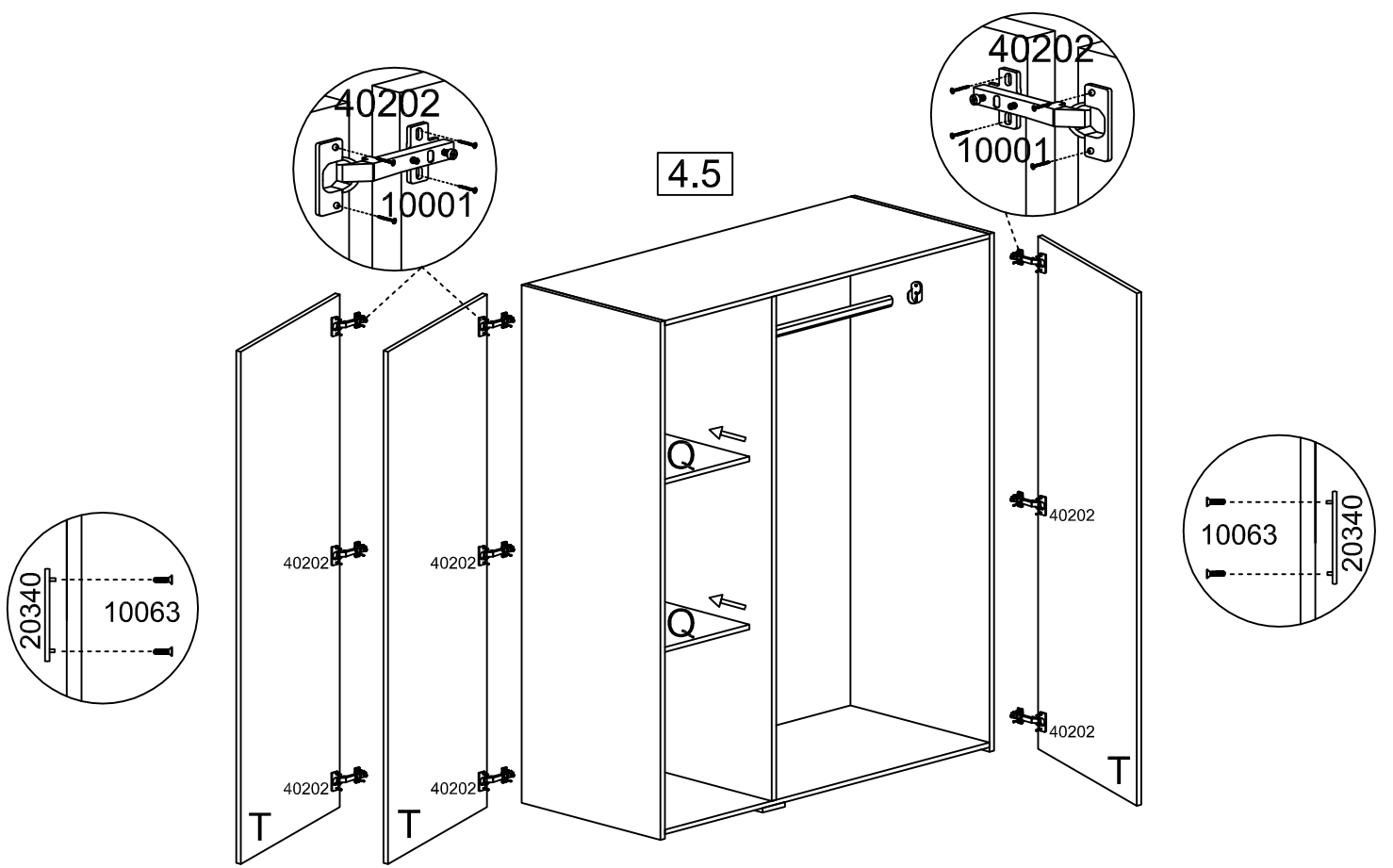


4.4

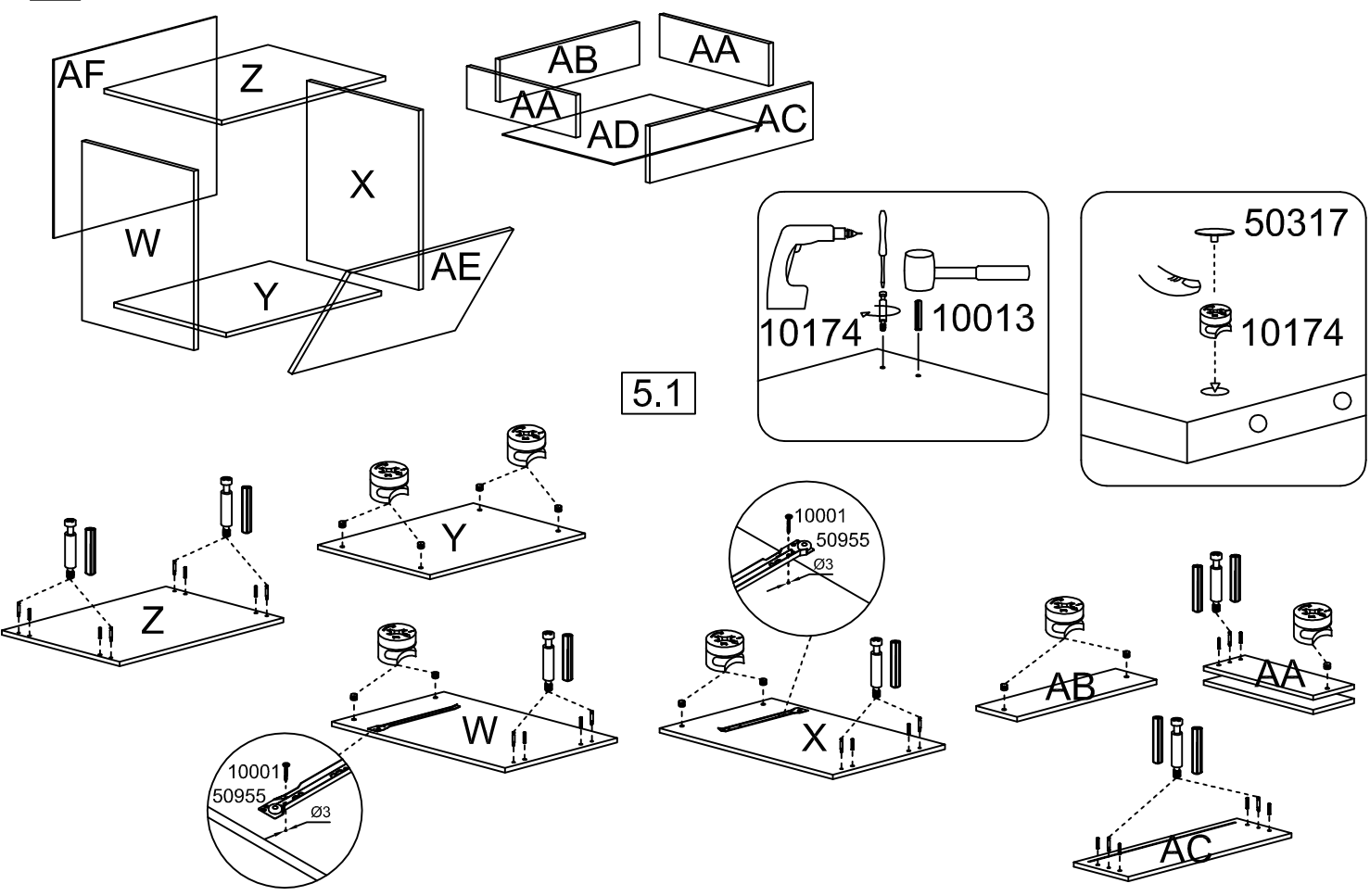


$d1=d2!$





5



5.1

