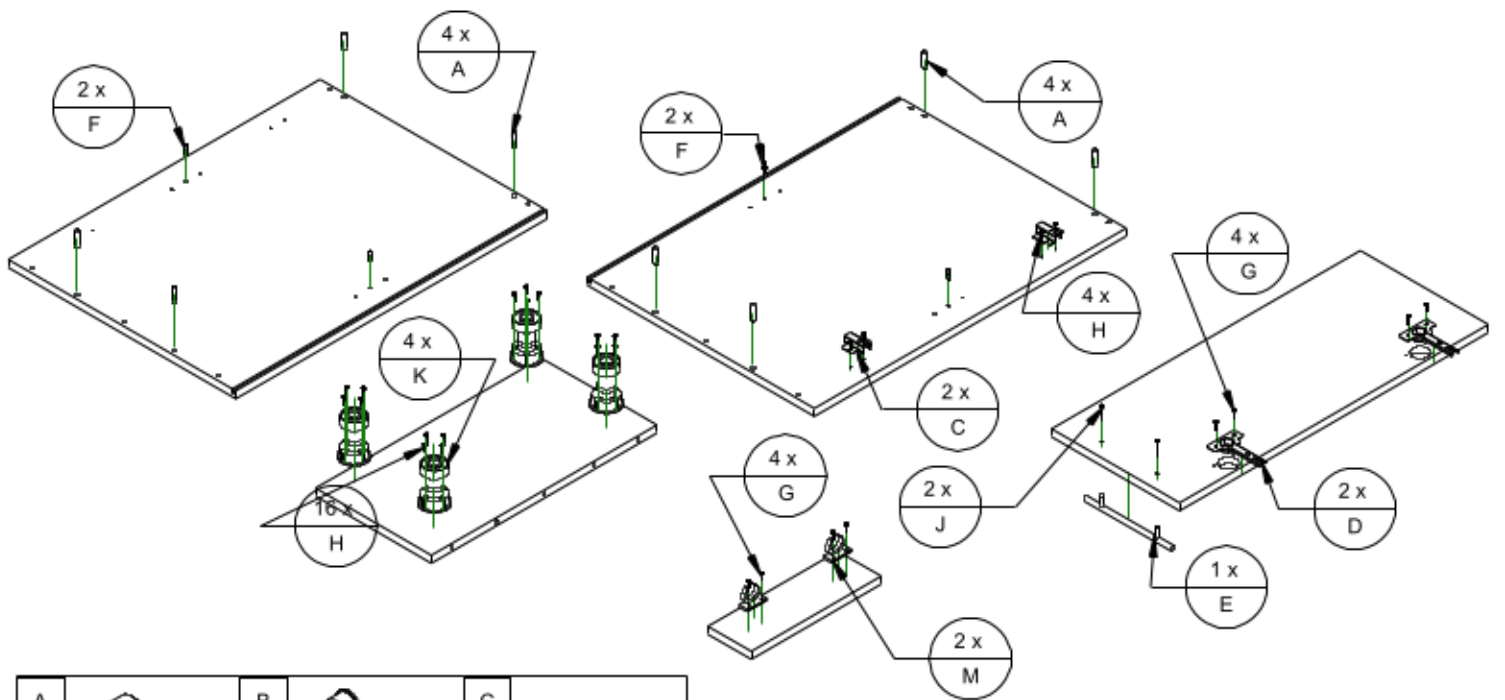
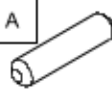



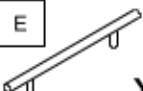

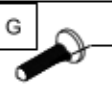
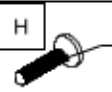


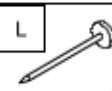
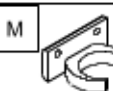
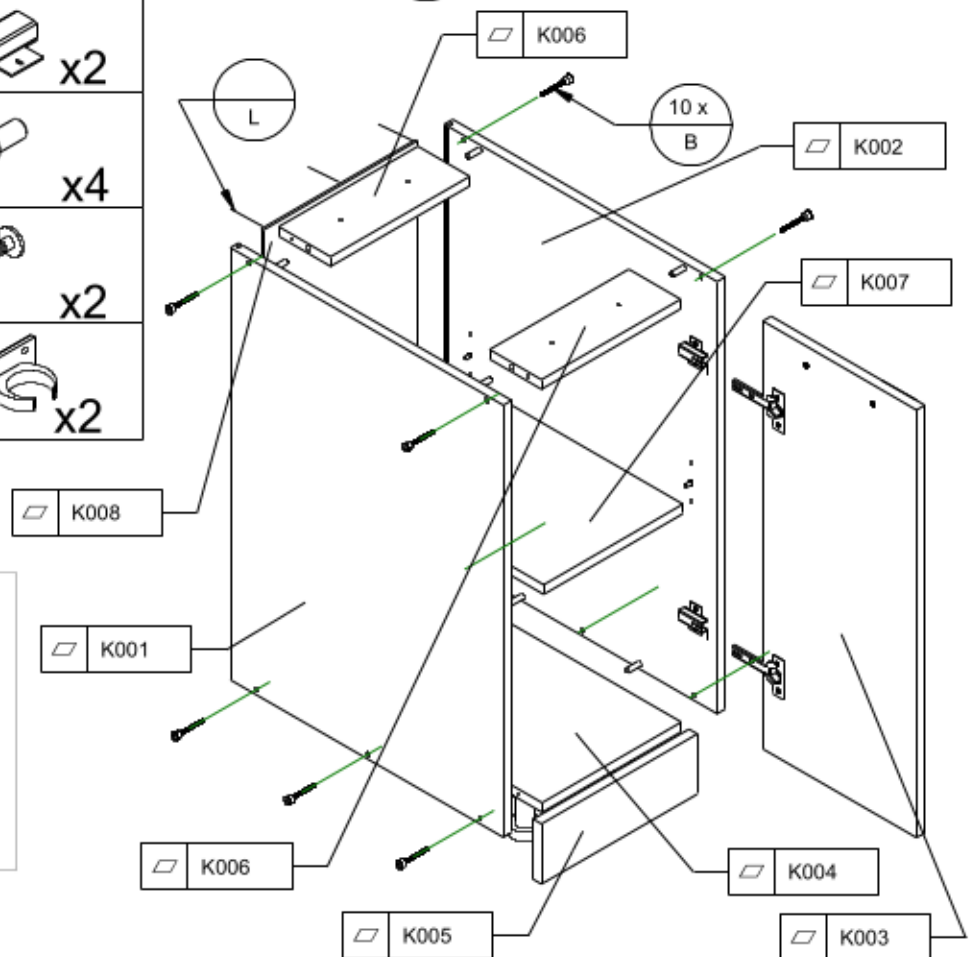
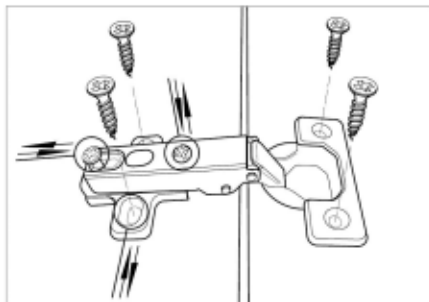


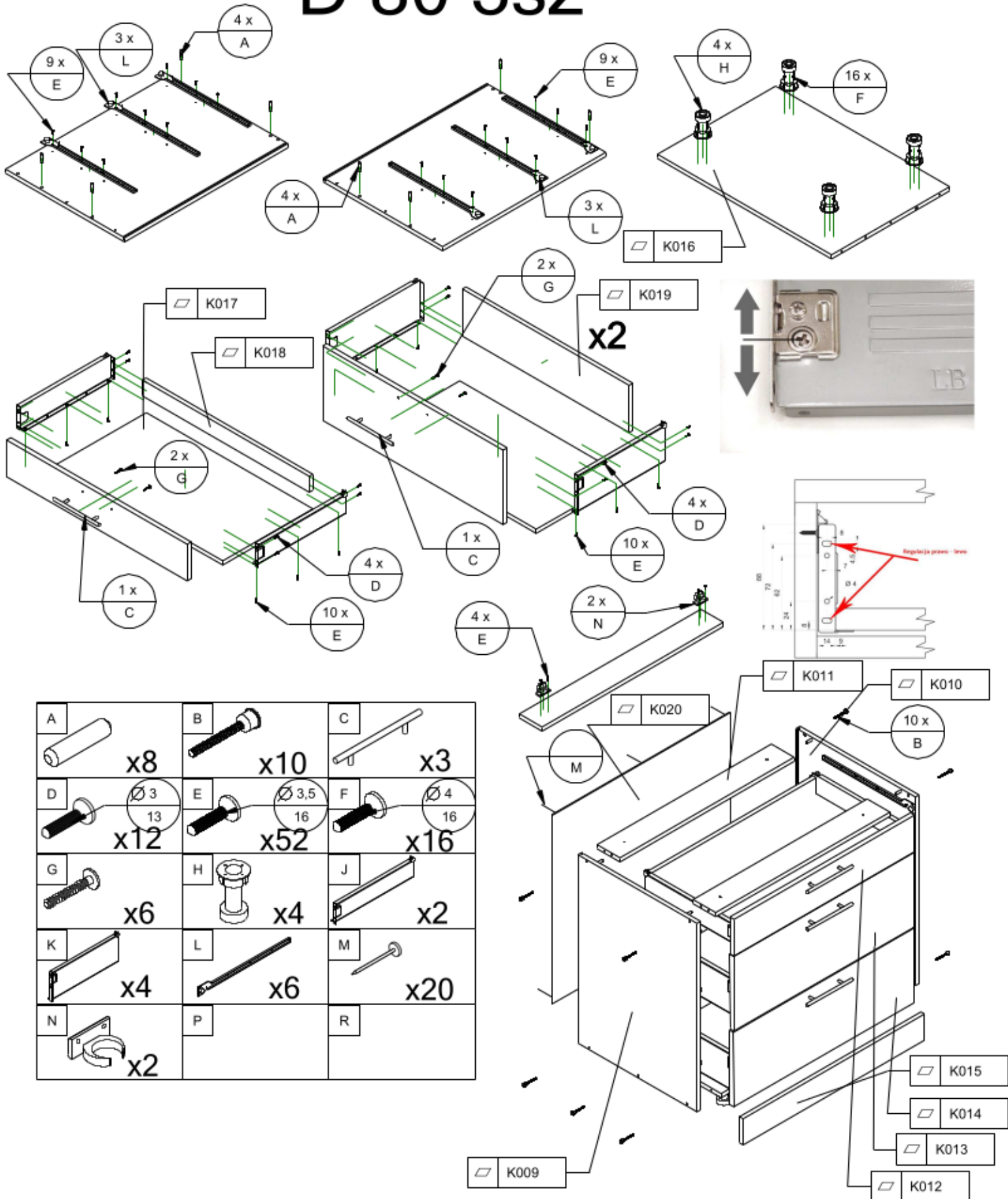
D 30/40/60 1F



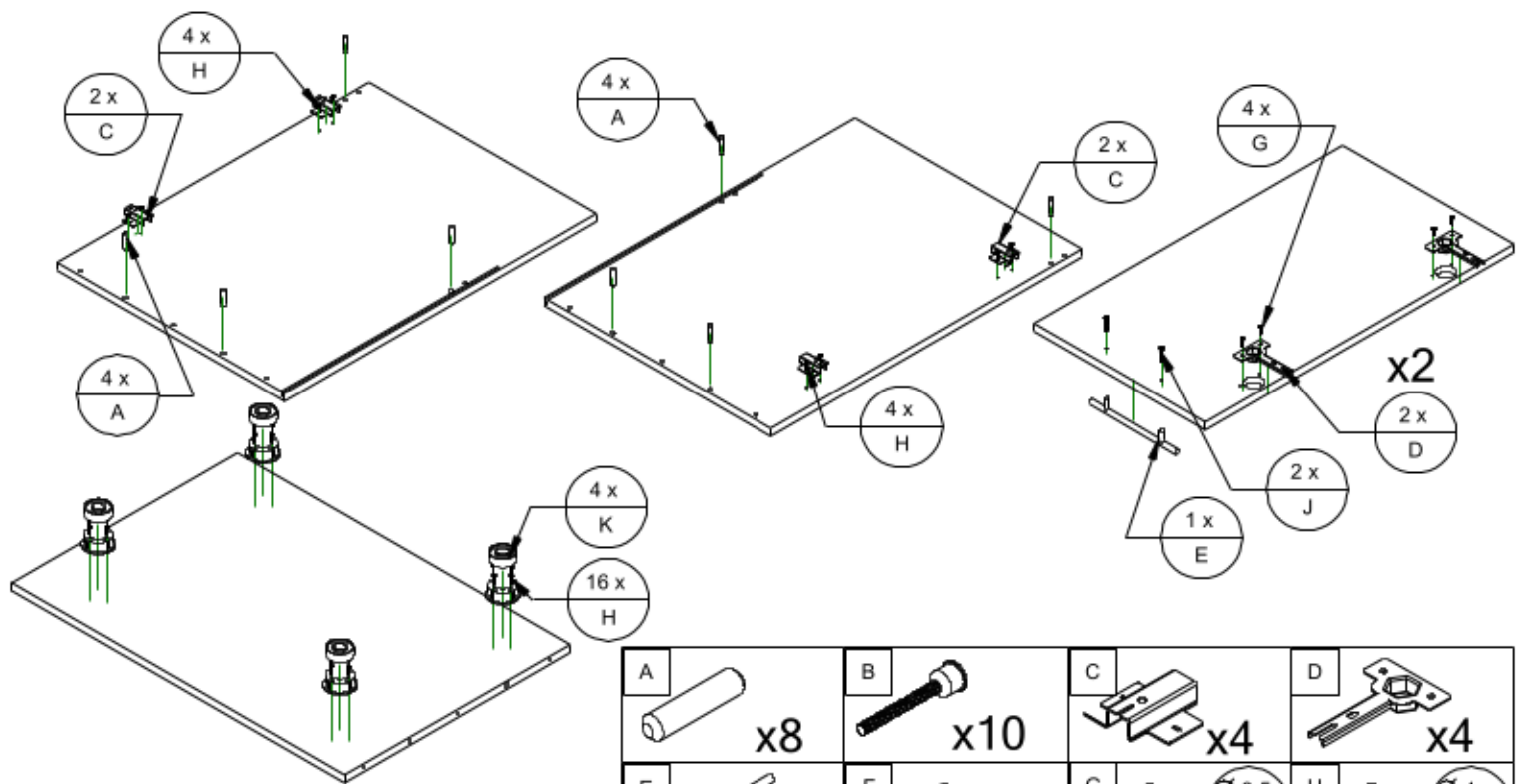
A	 x8	B	 x10	C	 x2
D	 x2	E	 x1	F	 x4
G	 $\varnothing 3,5$ 16 x8	H	 $\varnothing 4$ 16 x20	J	 x2
K	 x4	L	 x20	M	 x2








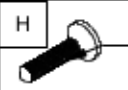





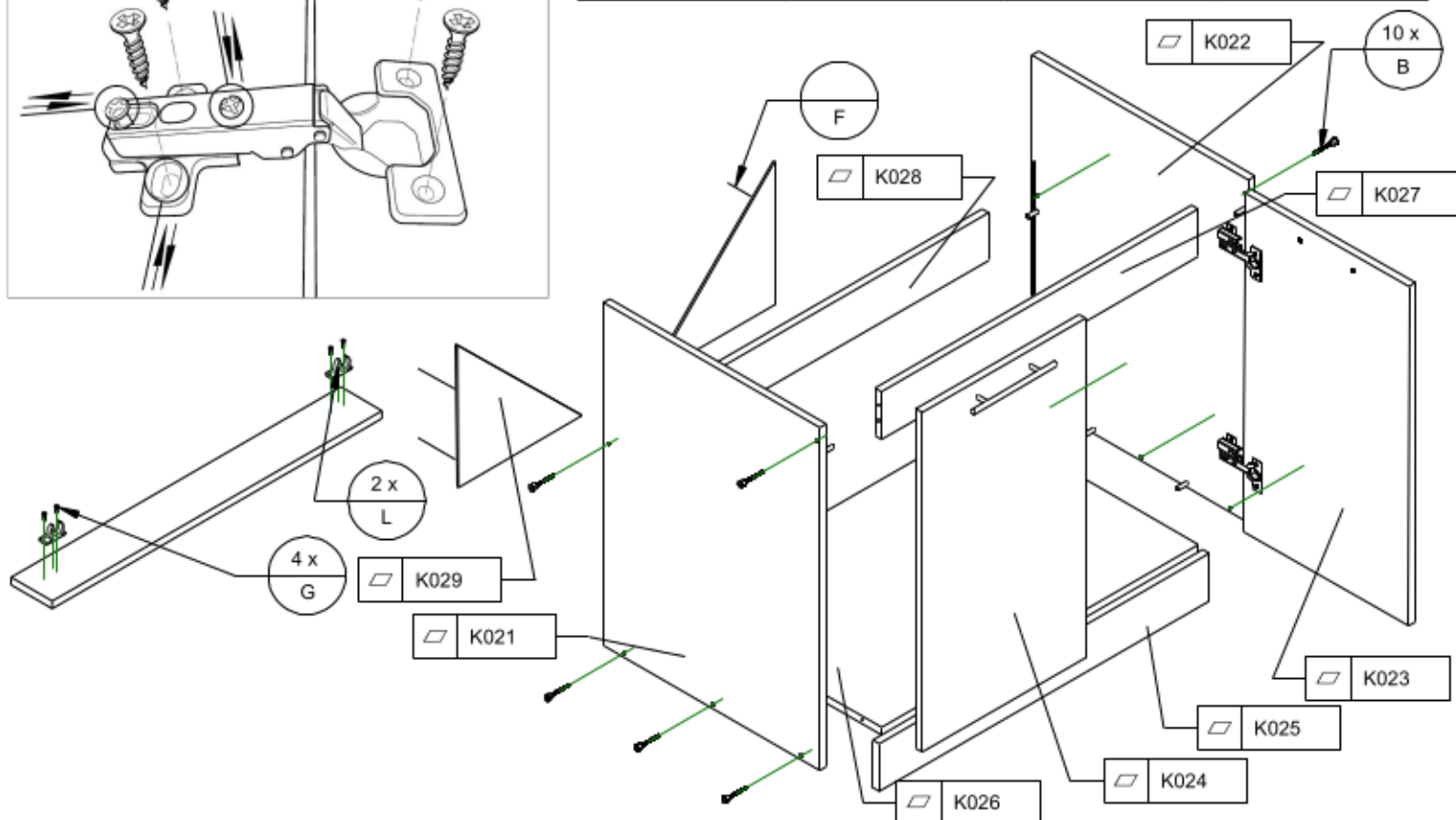
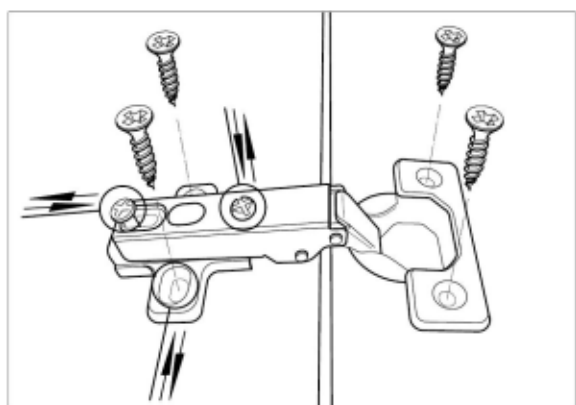
D 80 3sz



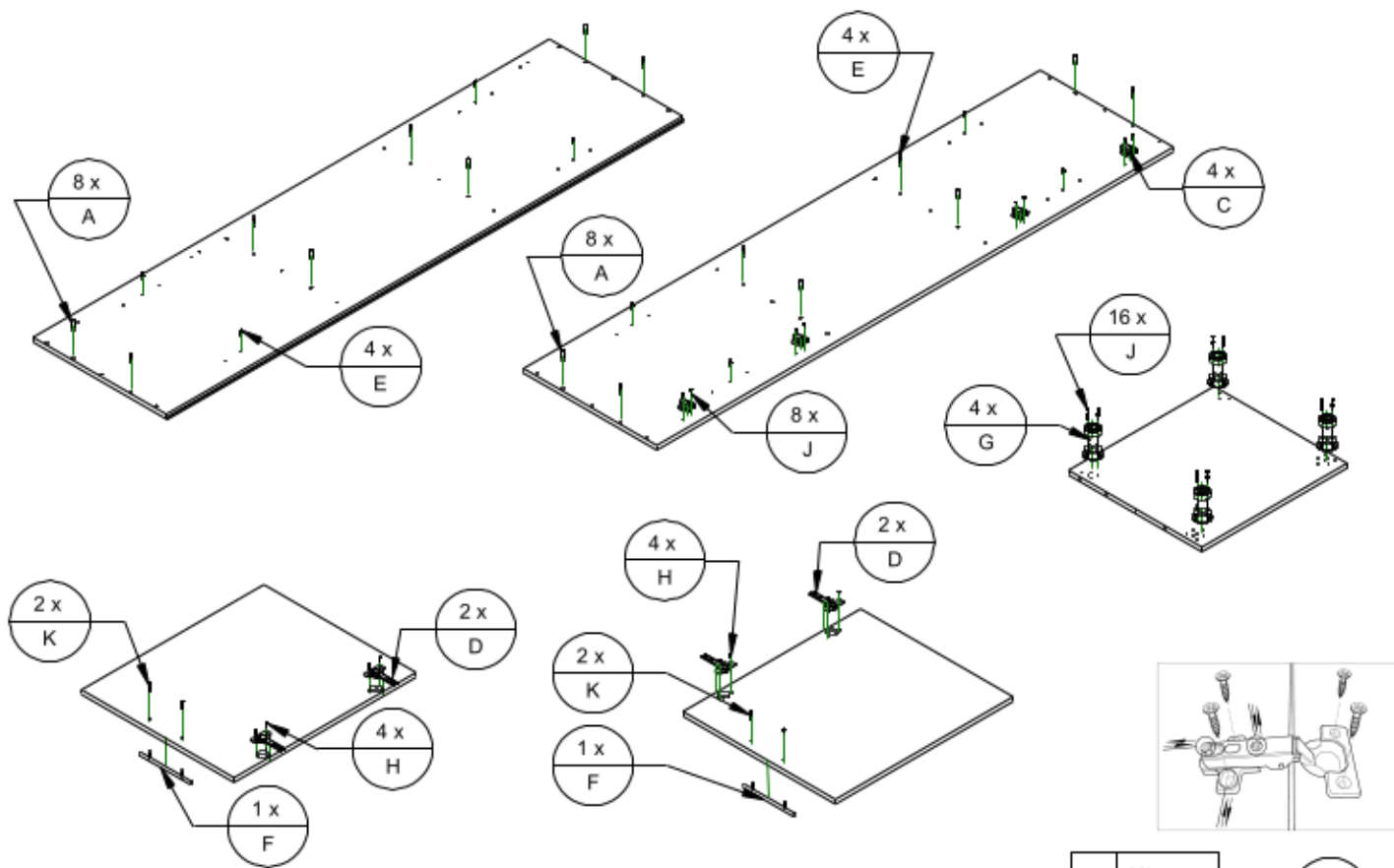
D 80zi

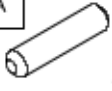

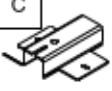
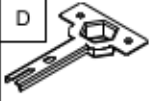
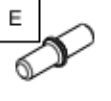
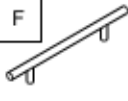

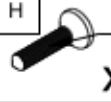
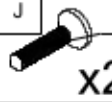




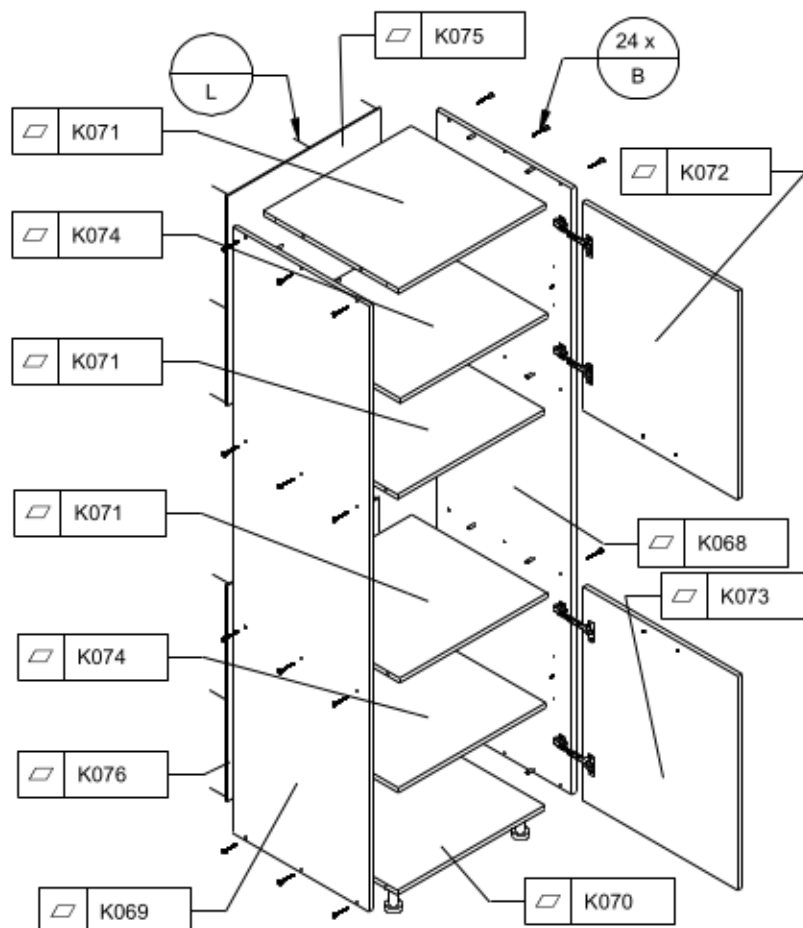
A	B	C	D
			
x8	x10	x4	x4
E	F	G	H
			
x2	x10	$\varnothing 3,5$ 16 x12	$\varnothing 4$ 16 x8
J	K	L	M
			
x4	x4	x2	



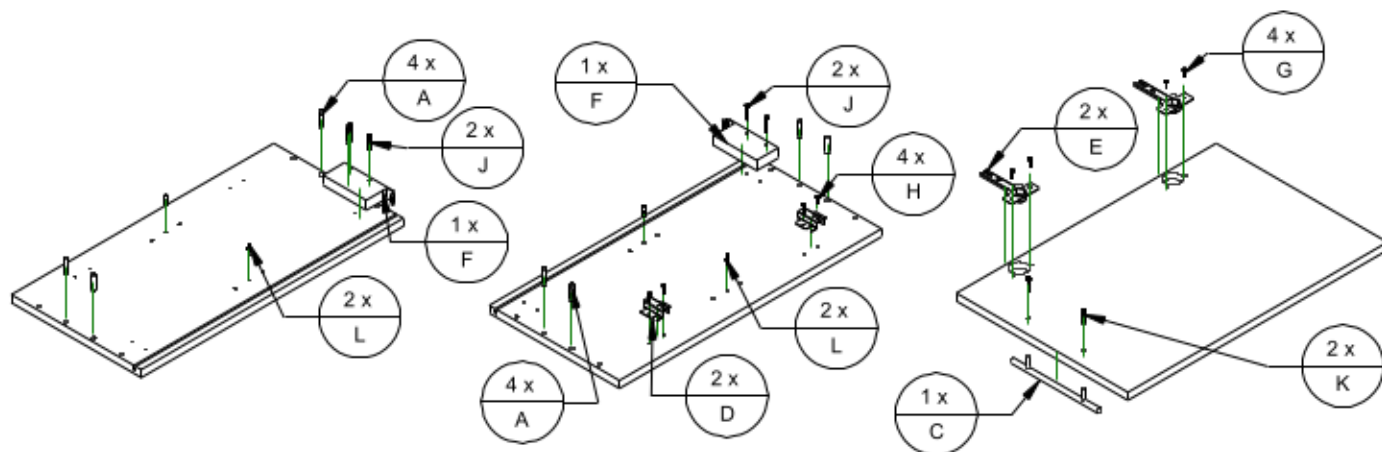
DK60 - SŁUPEK

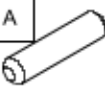
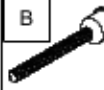



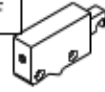
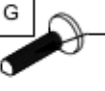






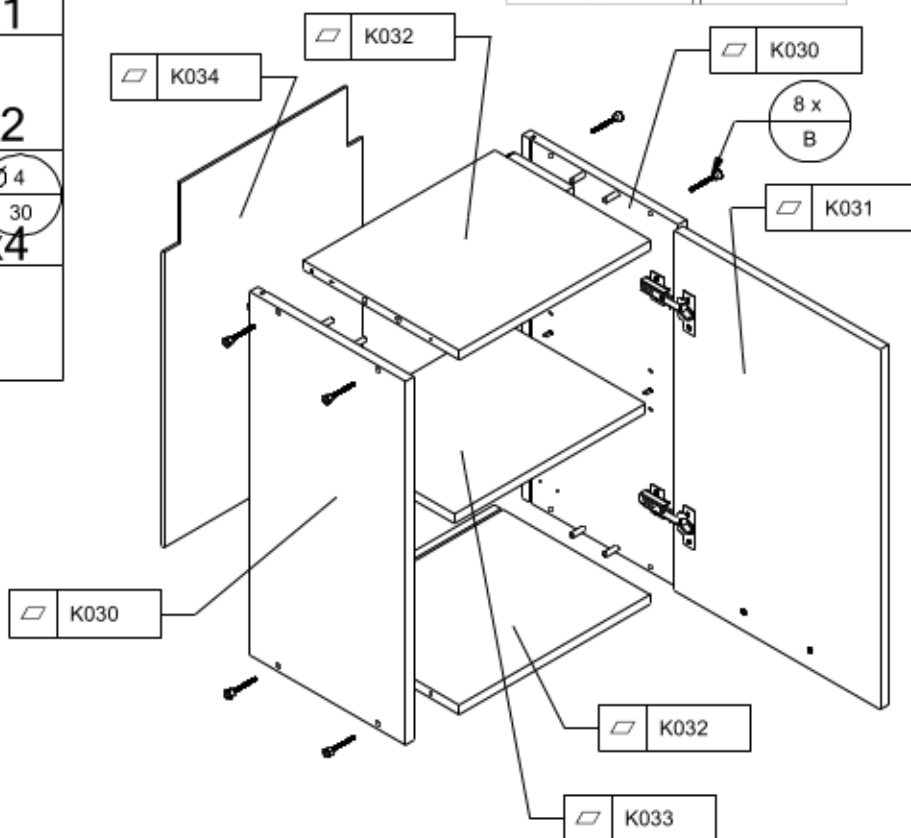
A	B	C
 x16	 x24	 x4
D	E	F
 x4	 x8	 x2
G	H	J
 x4	 x8	 x24
K	L	M
 x4	 x50	



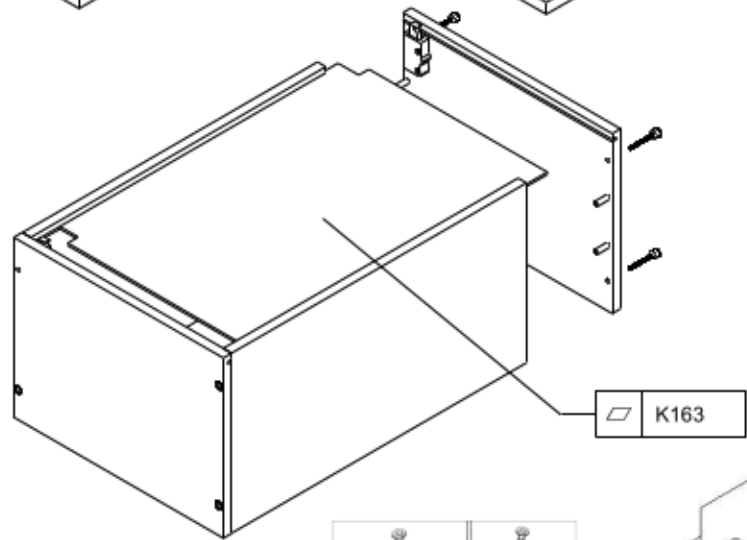
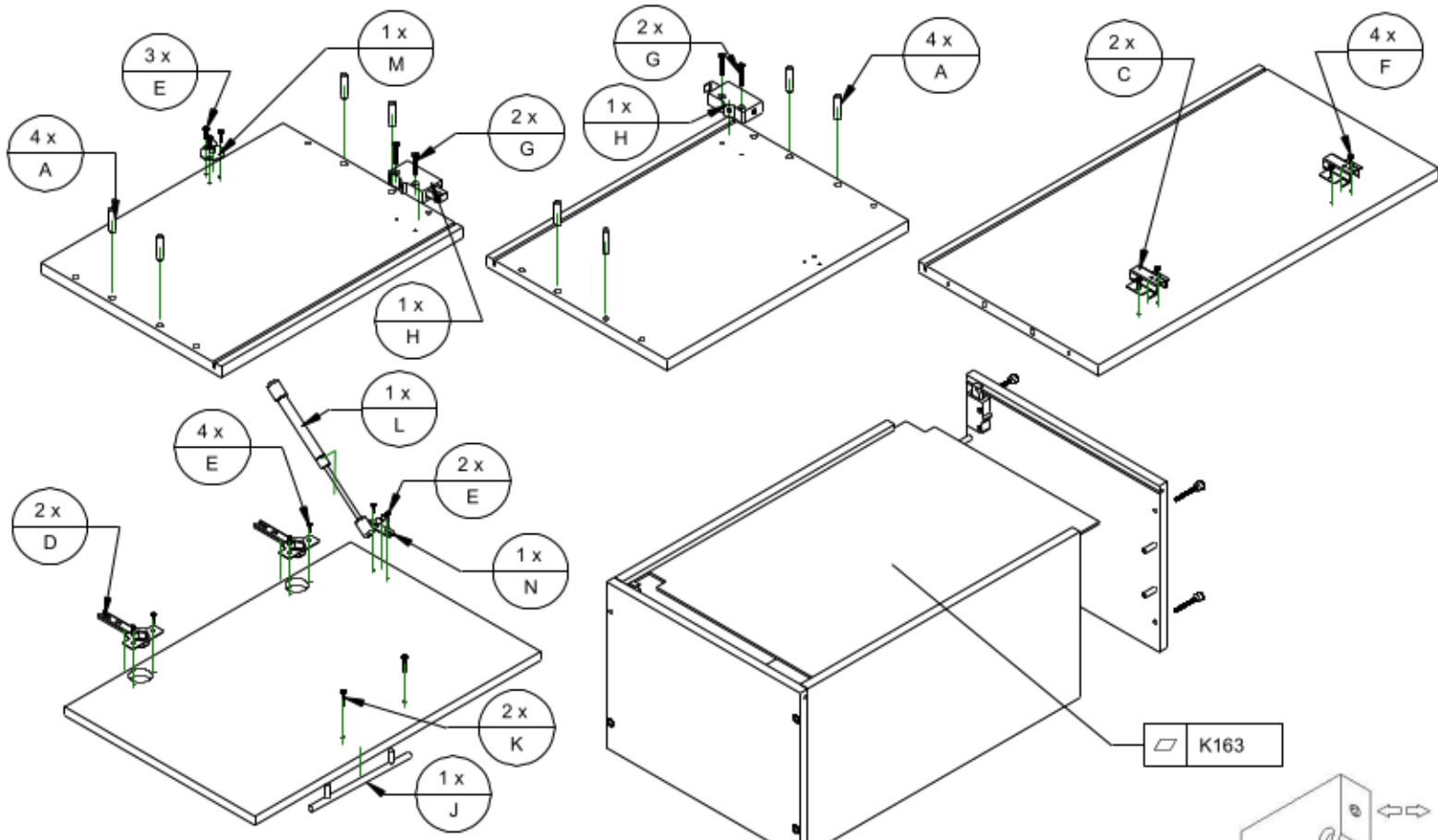
G30/40/60 1F





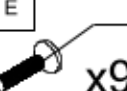
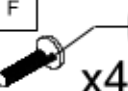
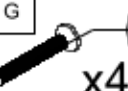
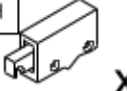
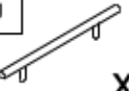






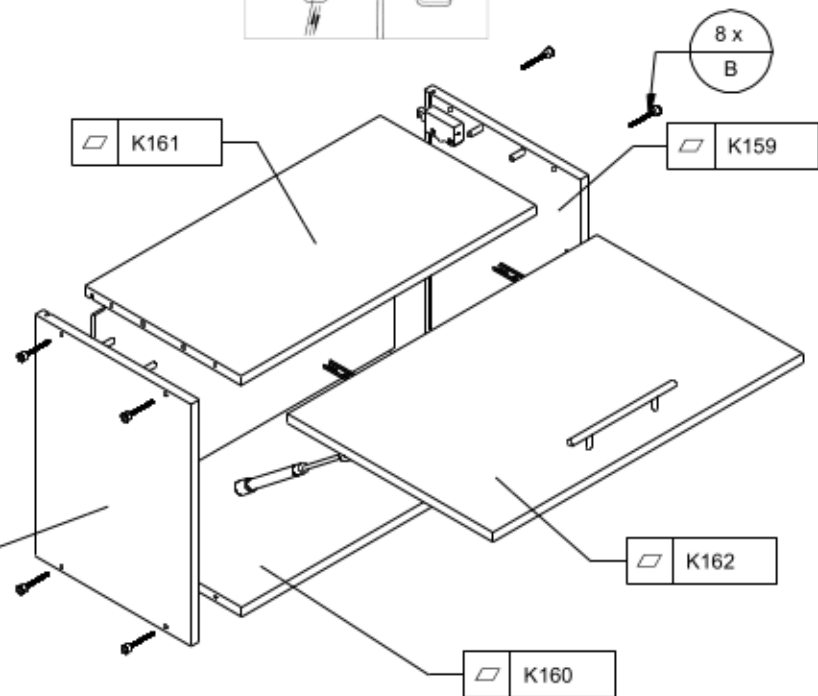
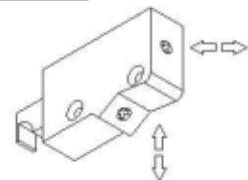
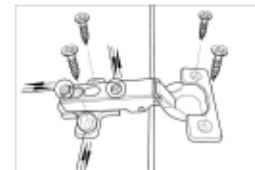
A	B	C
 x8	 x8	 x1
D	E	F
 x2	 x2	 x2
G	H	J
 x4	 x4	 x4
K	L	M
 x2	 x4	



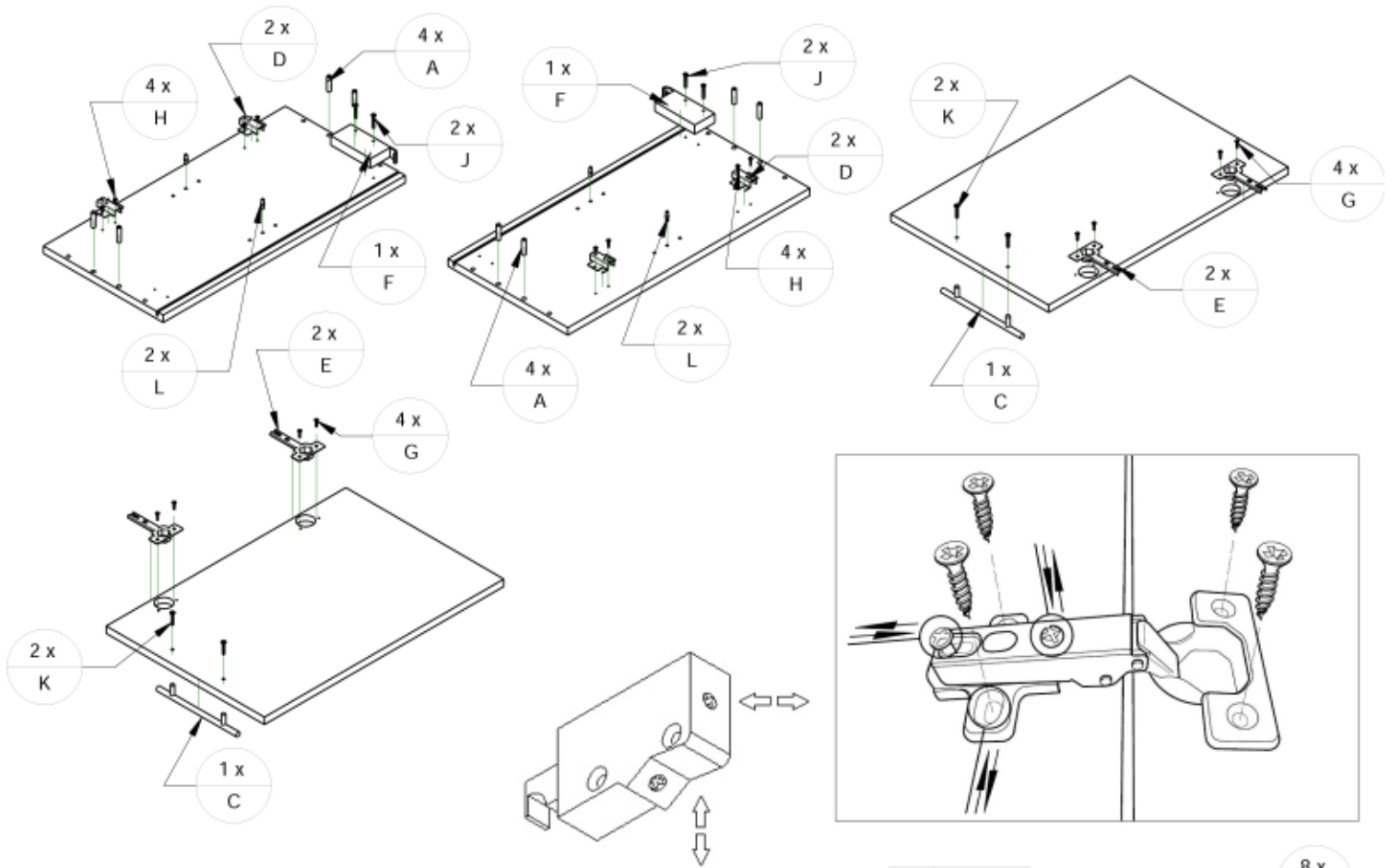
G50/60 ok














A	B	C
 x8	 x8	 x2
D	E	F
 x2	 x9 $\varnothing 3.5$ 16	 x4 $\varnothing 4$ 16
G	H	J
 x4 $\varnothing 4$ 30	 x2	 x1
K	L	M
 x2	 x1	 x1
N	P	R
 x1		



G80 / G60



A	B	C
		
x8	x8	x2
D	E	F
		
x4	x4	x2
G	H	J
		
x8	x8	x4
K	L	M
		
x4	x4	

