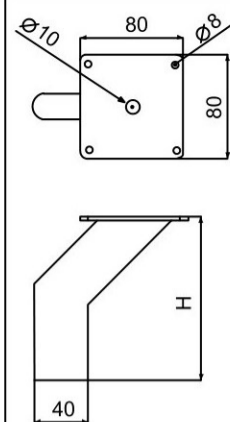
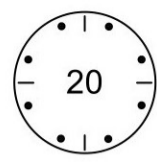
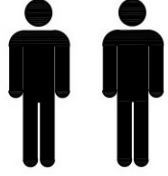


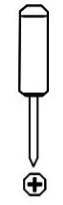
**3/3**


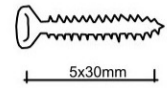
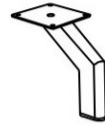



MONTAGEANLEITUNG  
NAVCD SESTAVA  
NAVCD ZOSTAWA

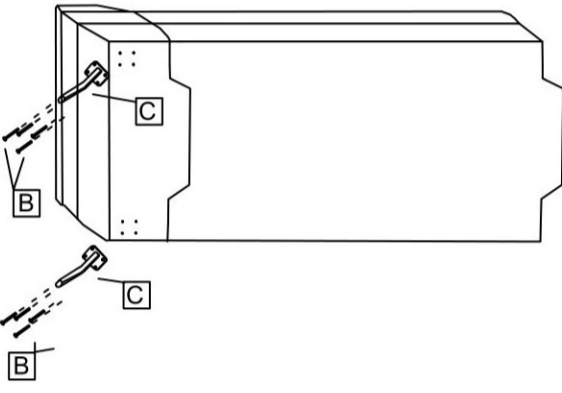




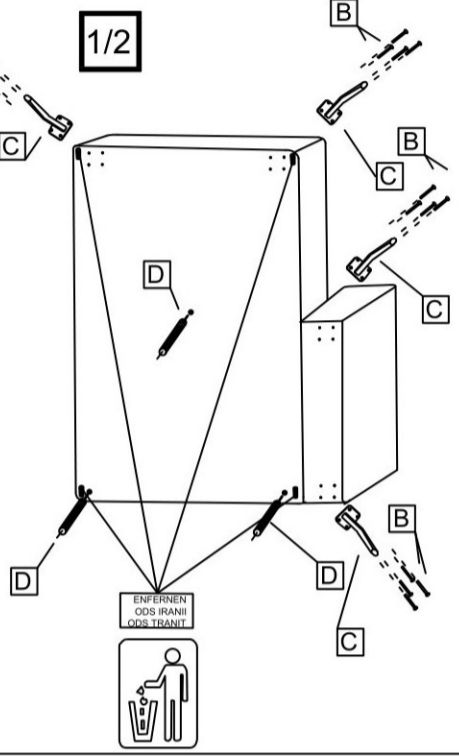


x4 	x24 	x6 	x3 
-------------------------------------------------------------------------------------------	--------------------------------------------------------------------------------------------	-------------------------------------------------------------------------------------------	-------------------------------------------------------------------------------------------


**2/2**



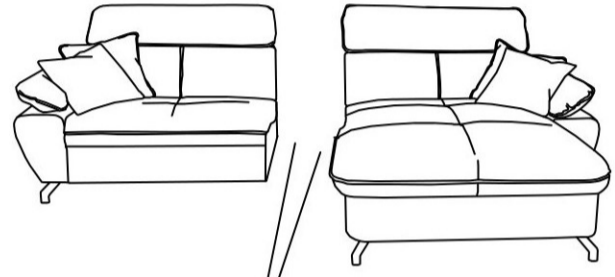
**1/2**



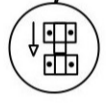
ENFERMEN  
ODS IRANII  
ODS TRANIT

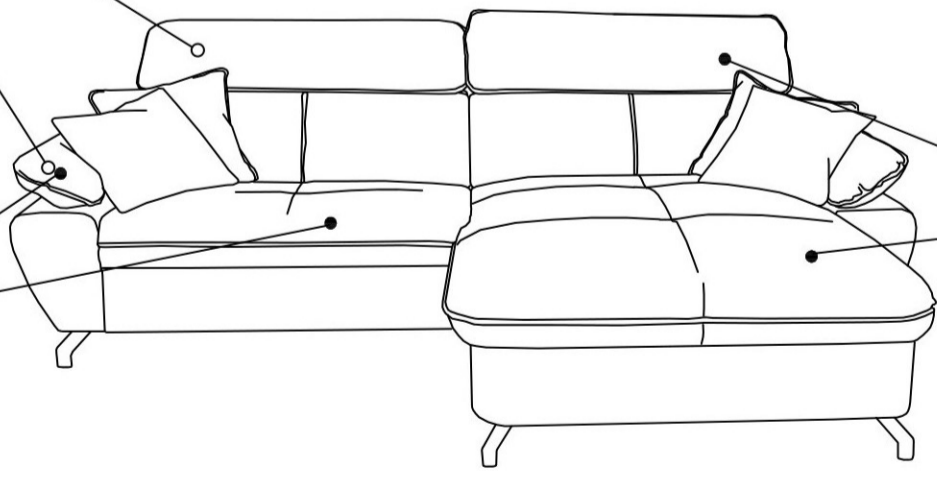



**1/2**

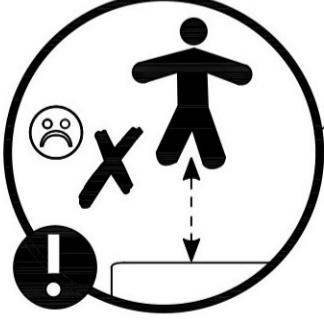


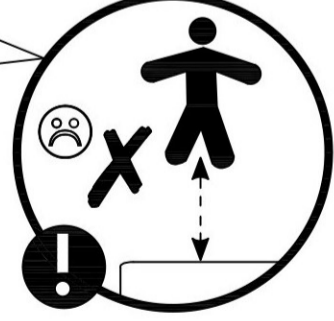
**2/2**


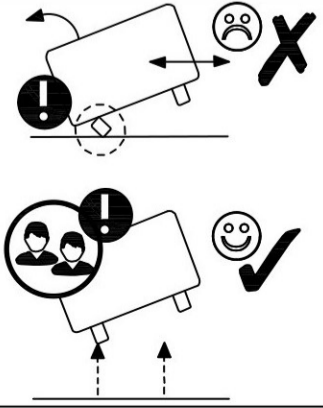
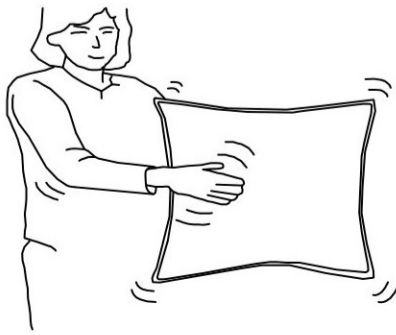
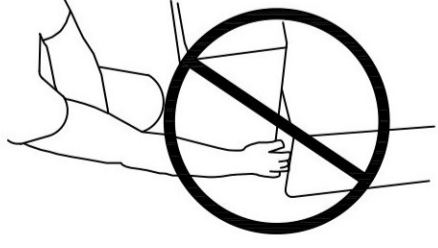










			
-------------------------------------------------------------------------------------	-------------------------------------------------------------------------------------	---------------------------------------------------------------------------------------	---------------------------------------------------------------------------------------