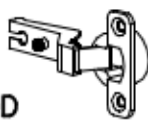


N13
M4x22 x6



C4
Z350D x2



F1
x8



S2
x11



S1
530mm x1



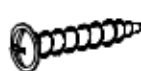
E11
x3



D4
PZ350D x2



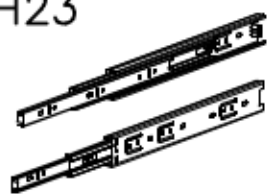
G8
4x30 x16



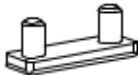
B2
ø6x30 x17



H23
300mm x1



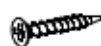
P3
x6



G4
4x16 x4



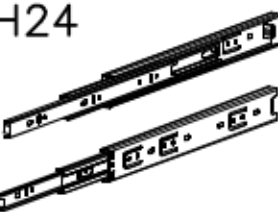
G2
3x20 x55



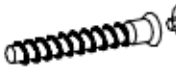
W1
x3



H24
350mm x2



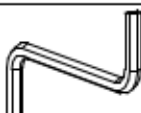
A1
ø7x50 x9



B7
ø8x30 x60



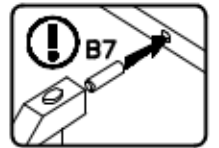
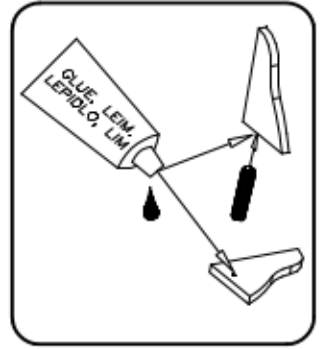
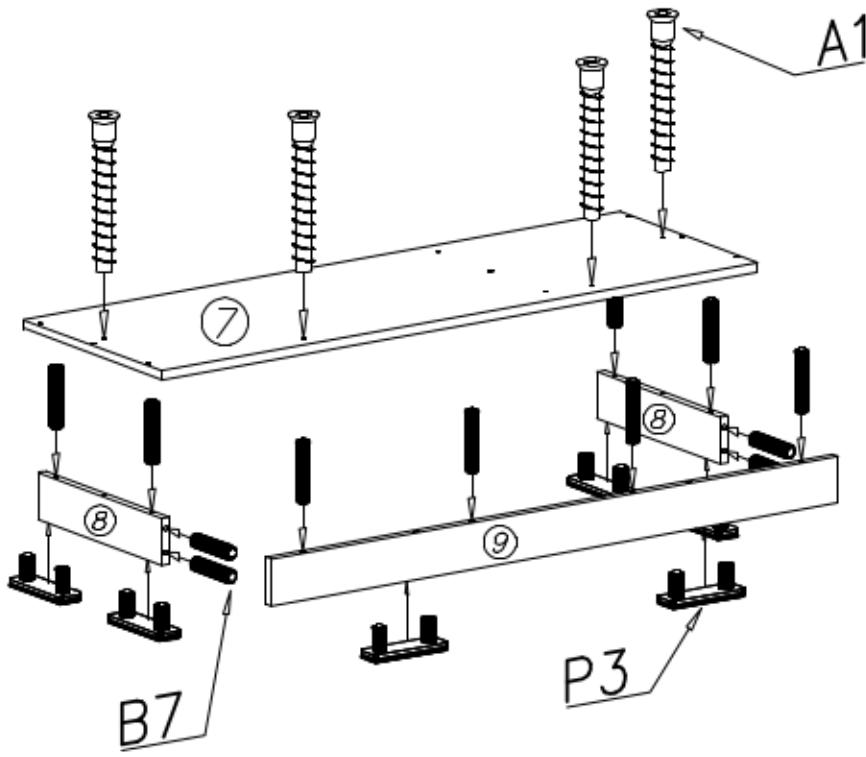
W2
x1



G1
4x13 x30



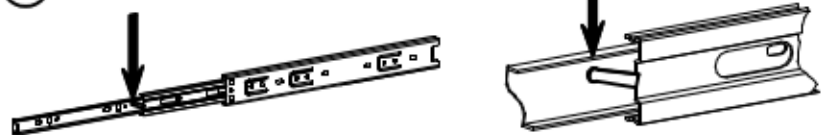
I



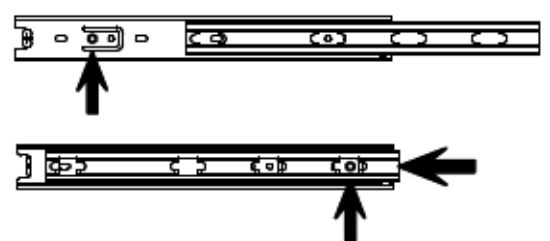
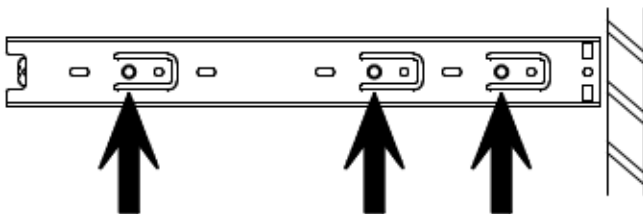
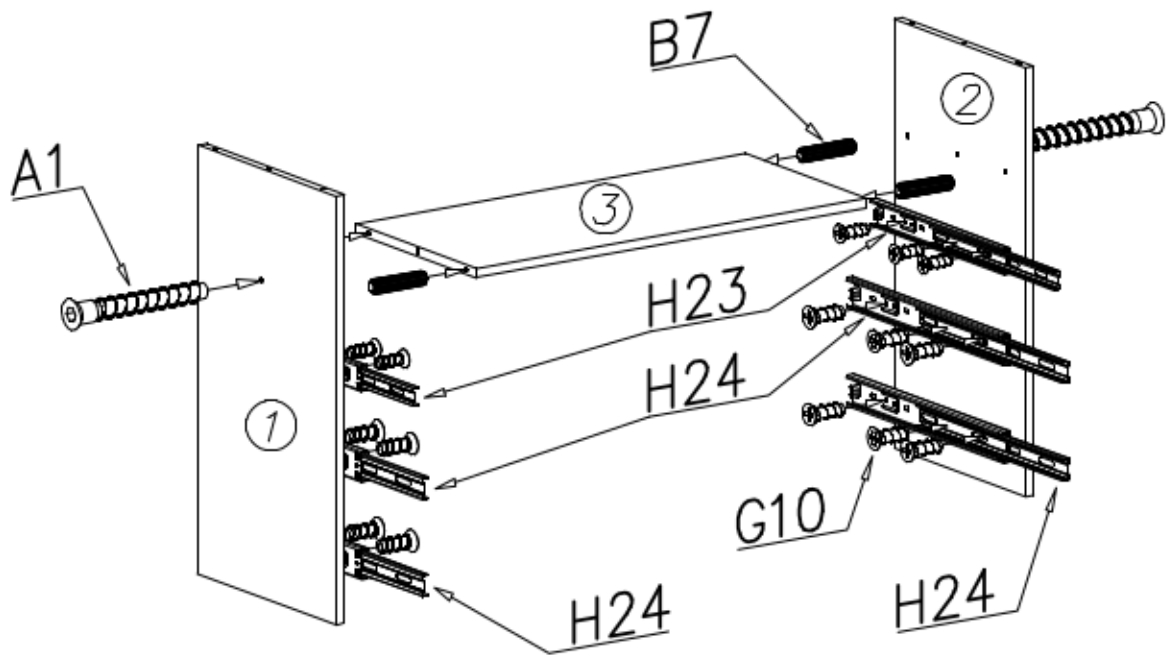
A

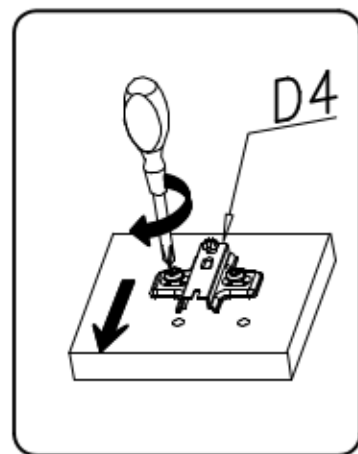
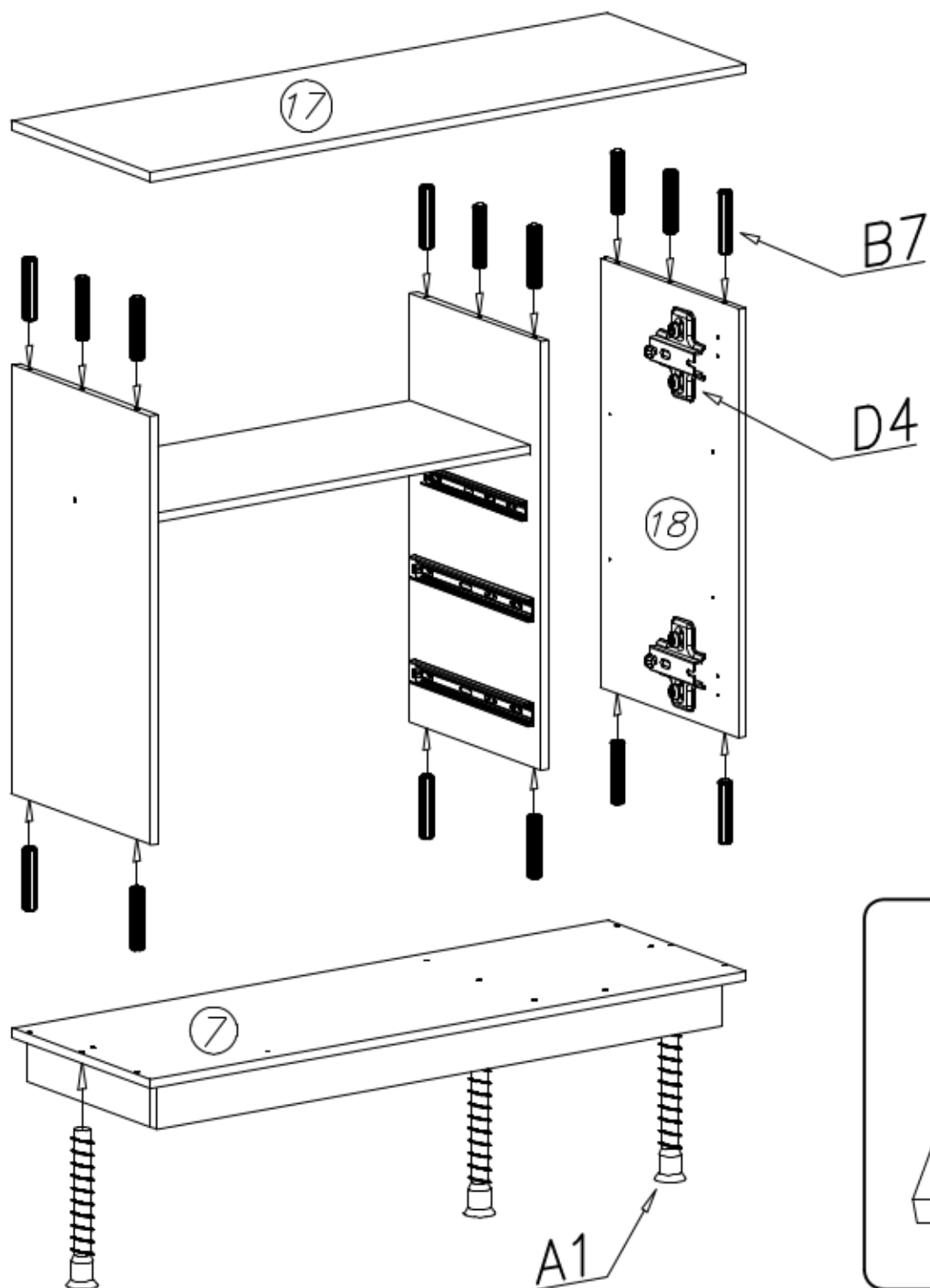
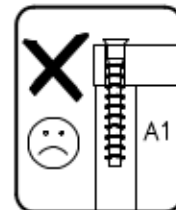
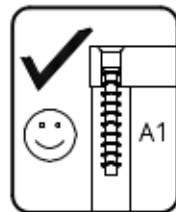
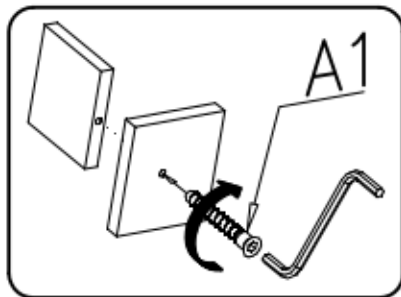
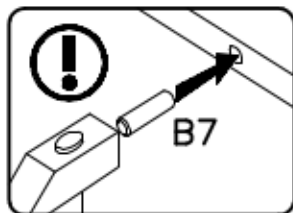
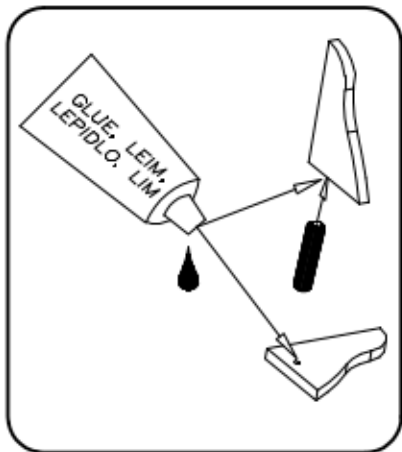


B

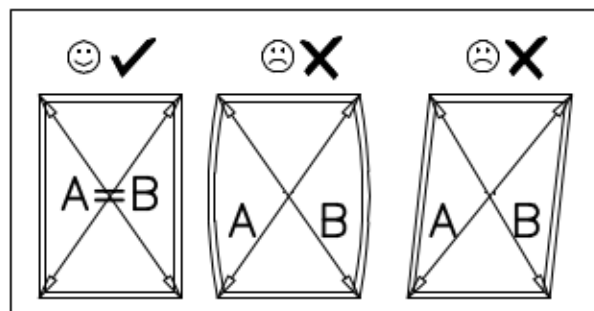
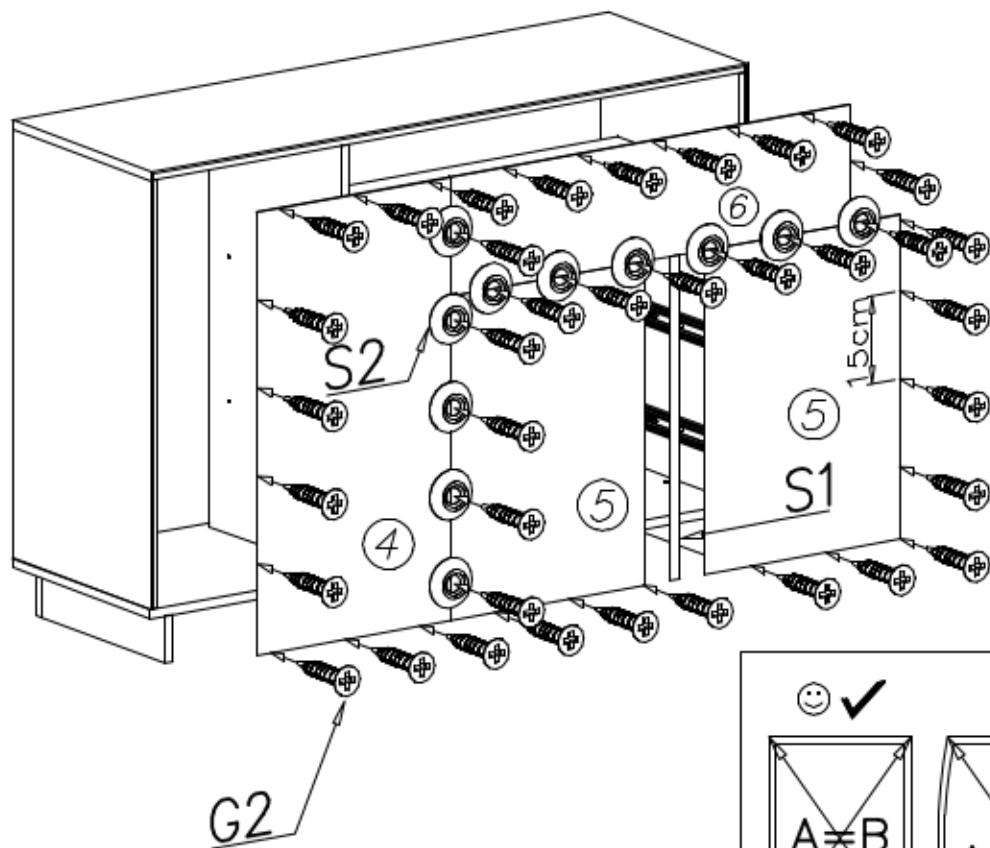


II

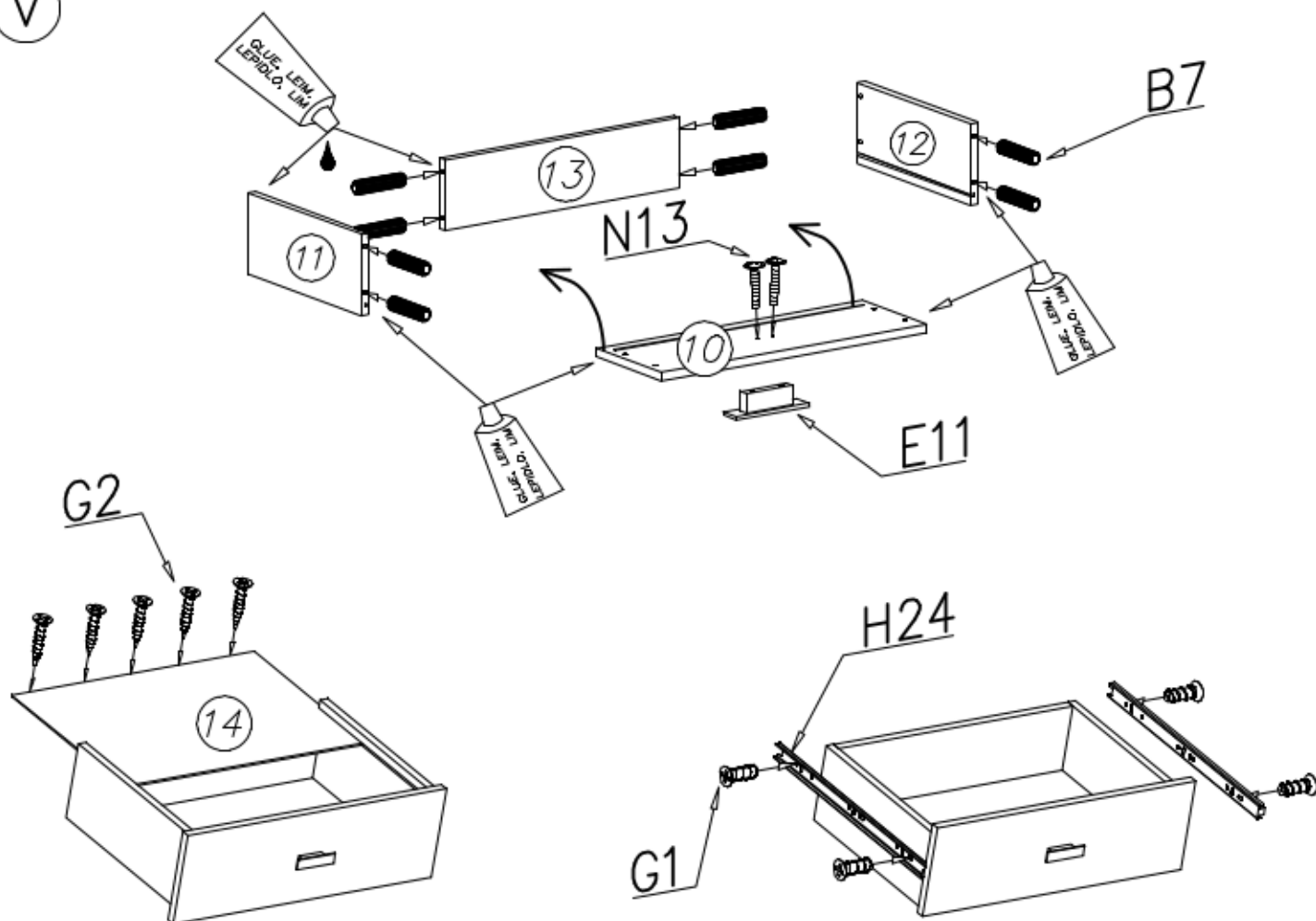




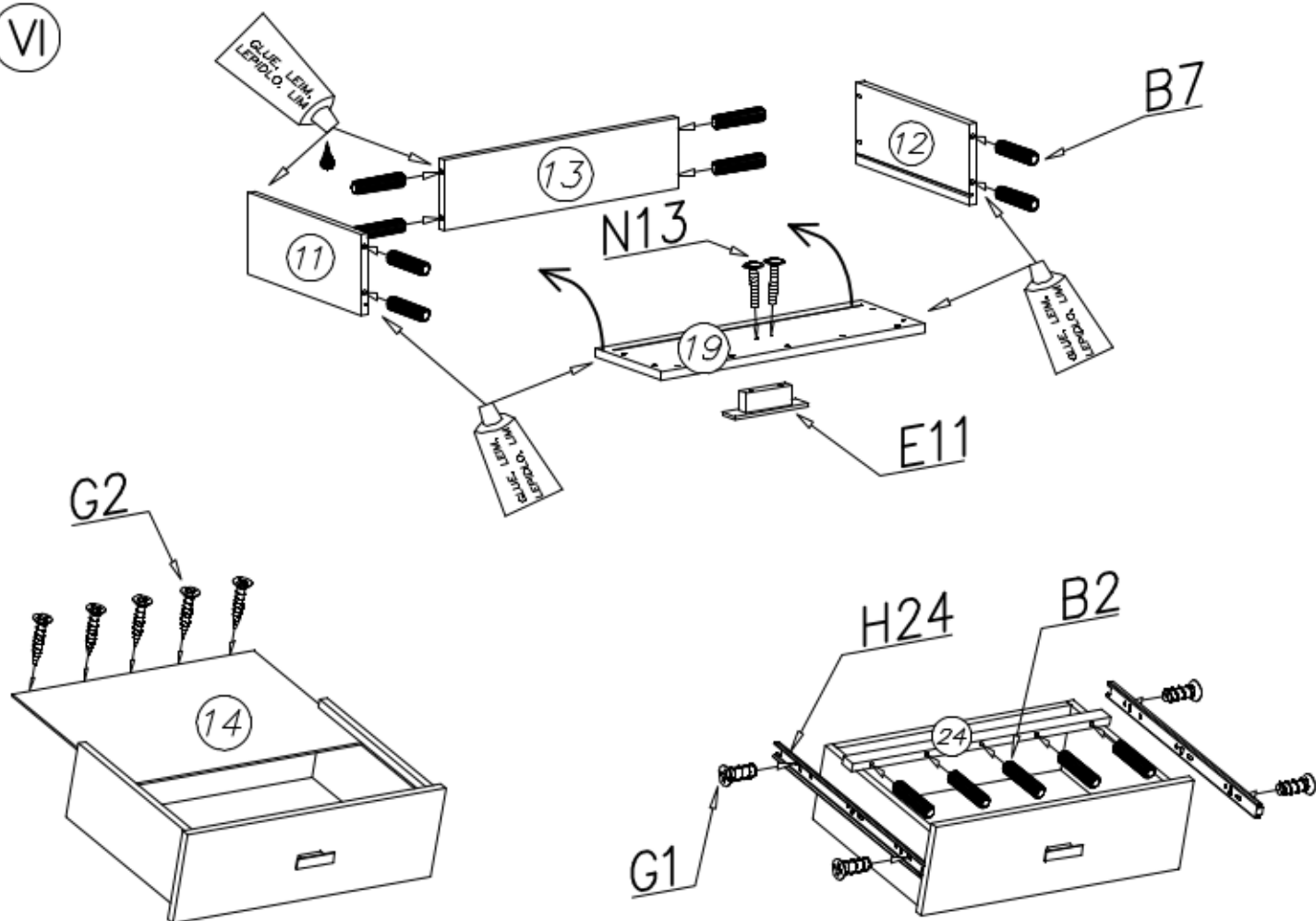
IV



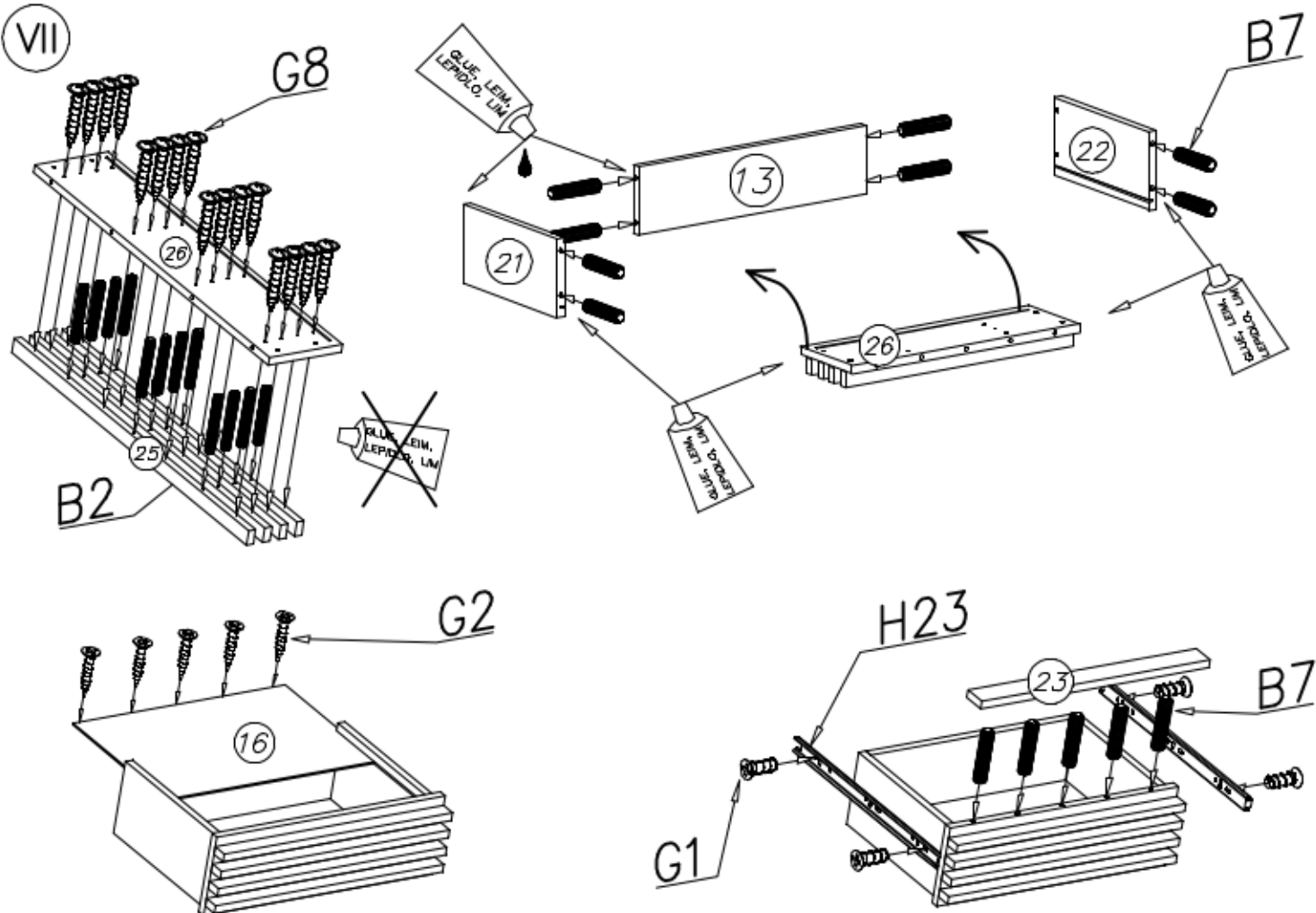
V



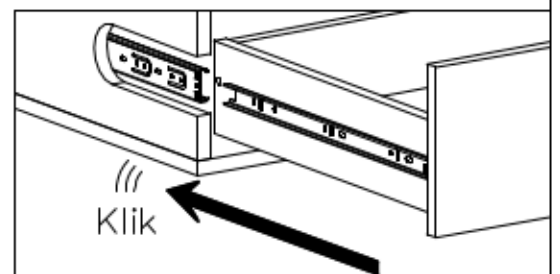
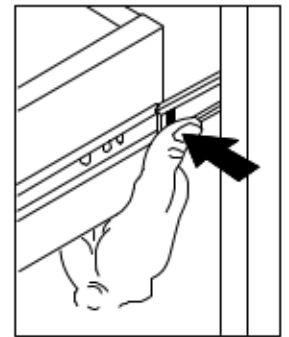
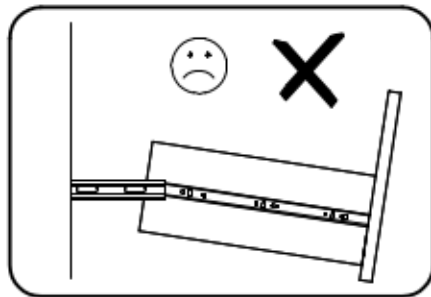
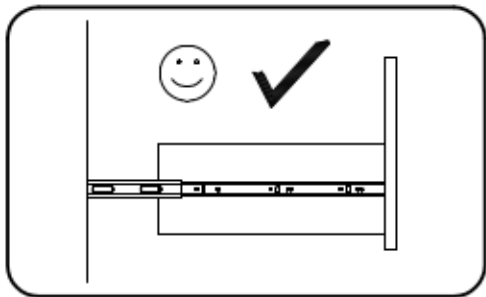
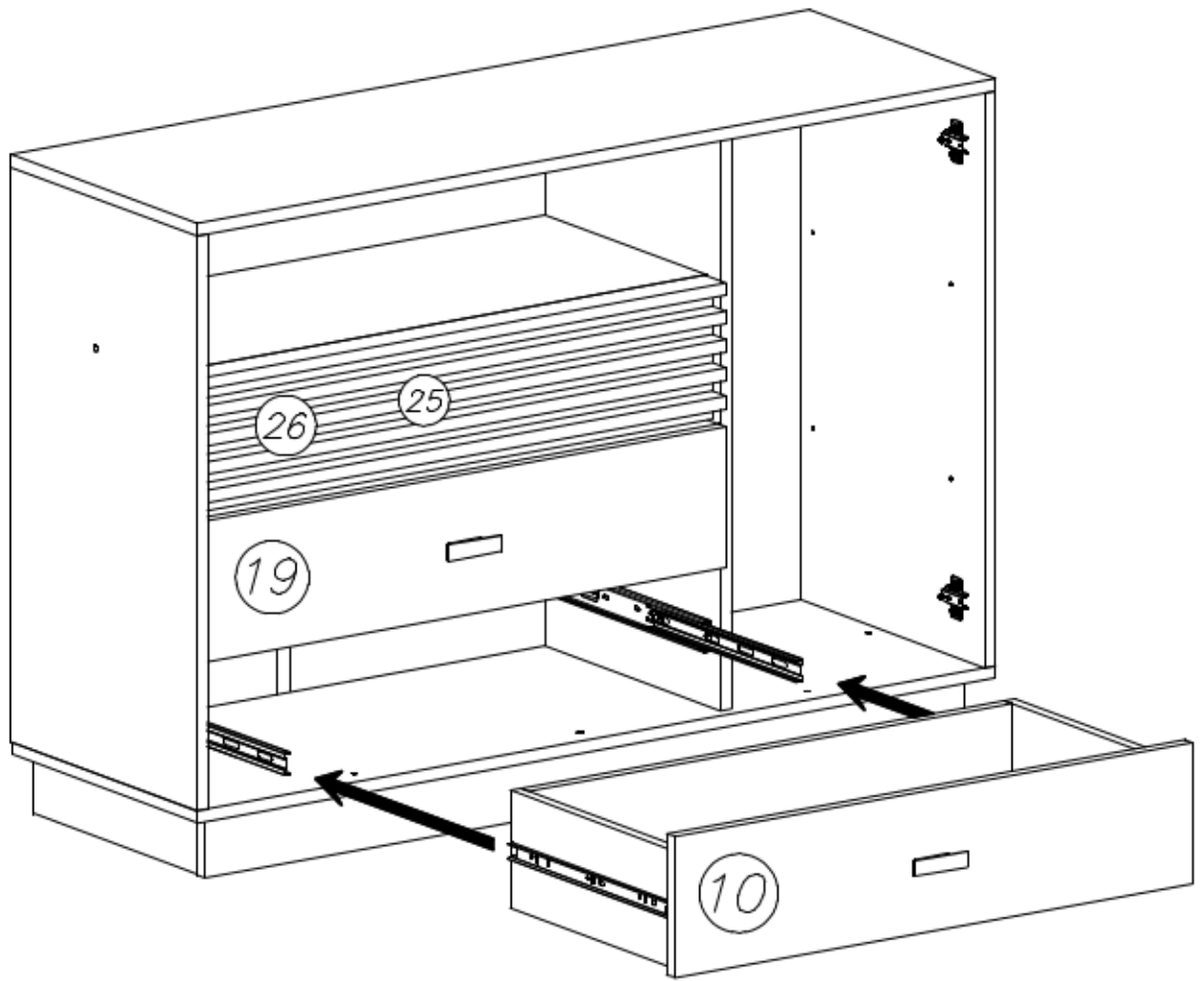
VI



VII

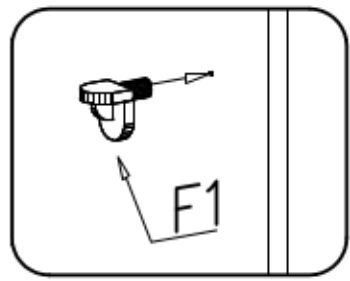


VIII



IX

1



2

