
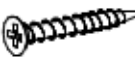













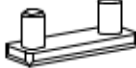
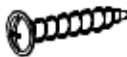
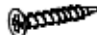

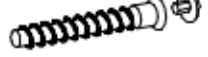

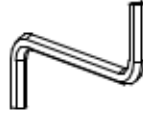


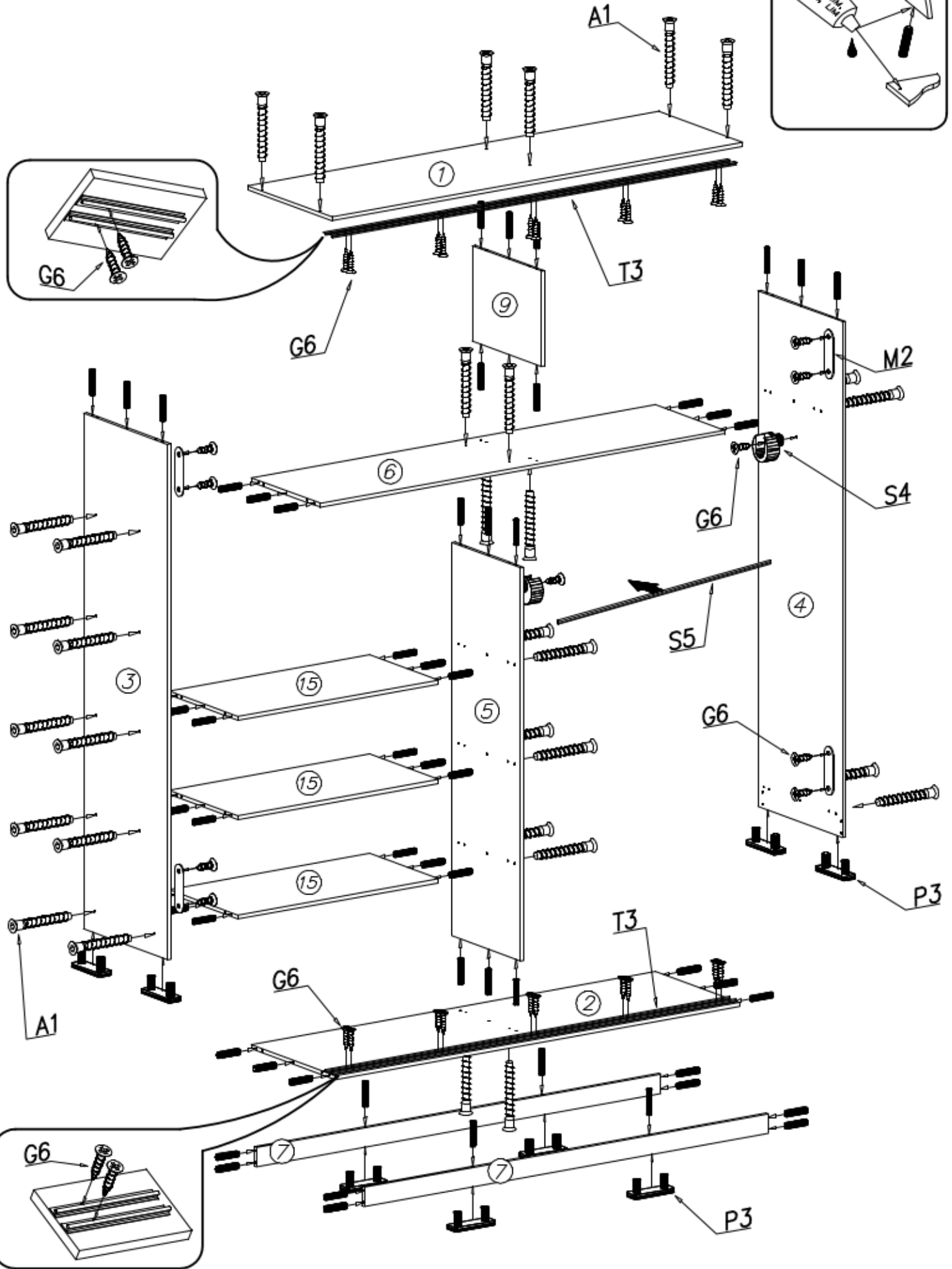
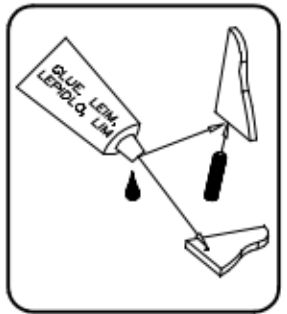
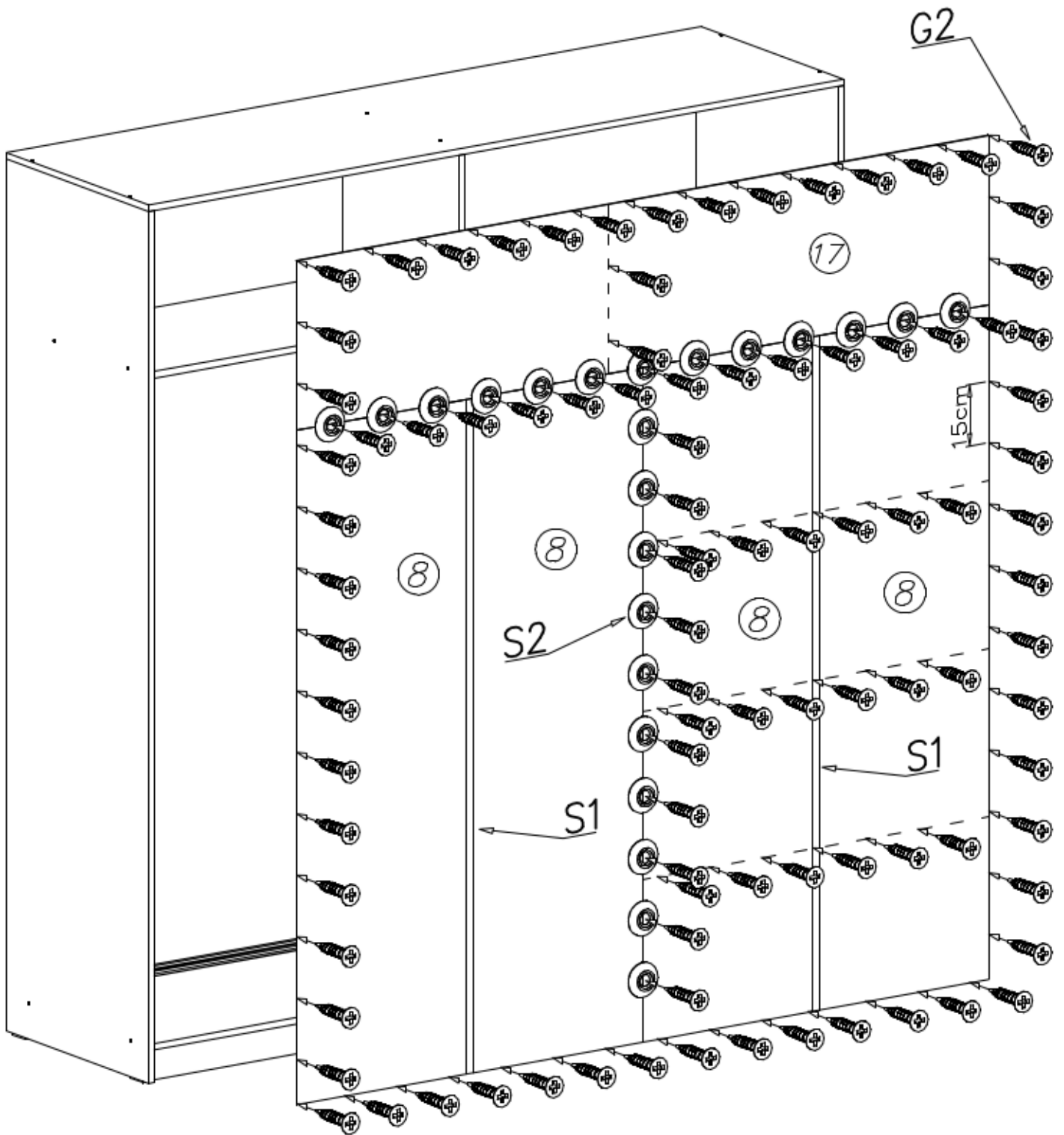


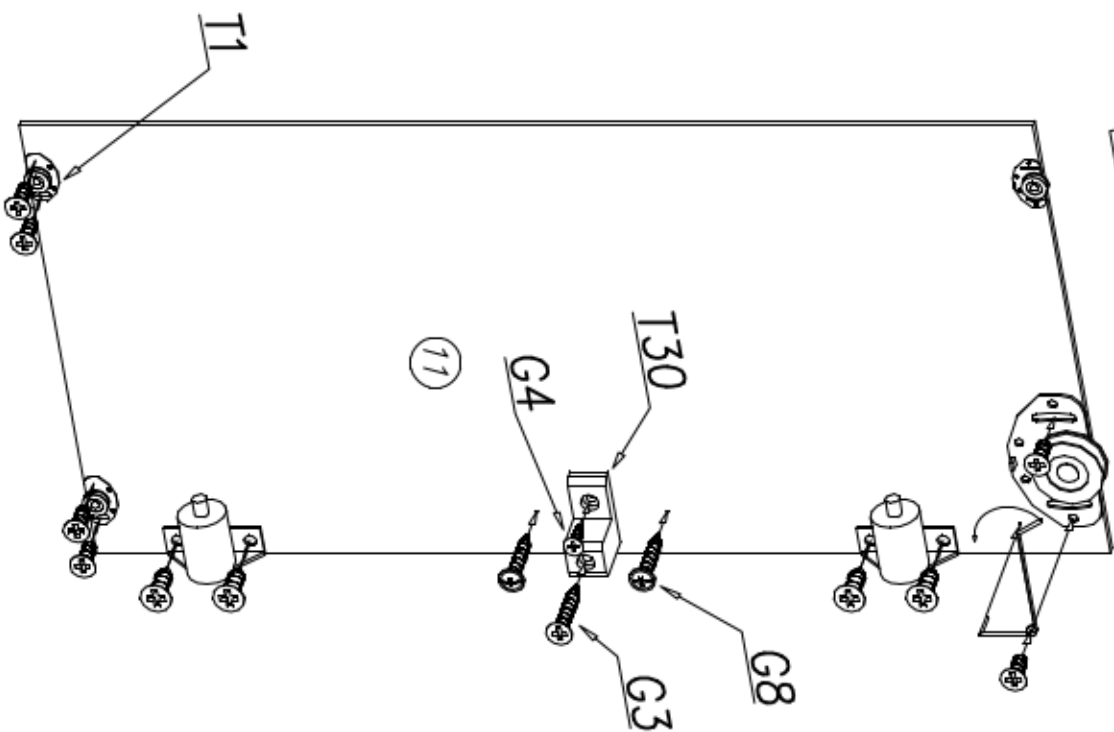
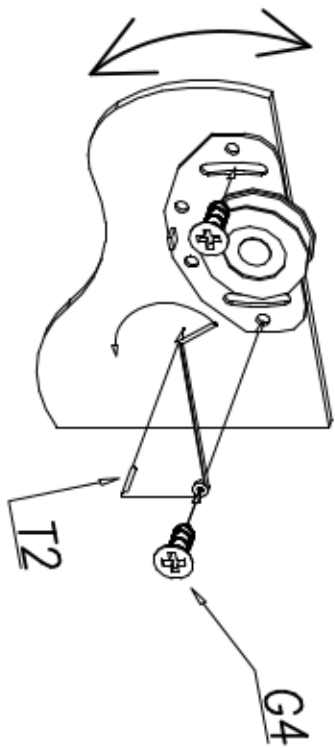
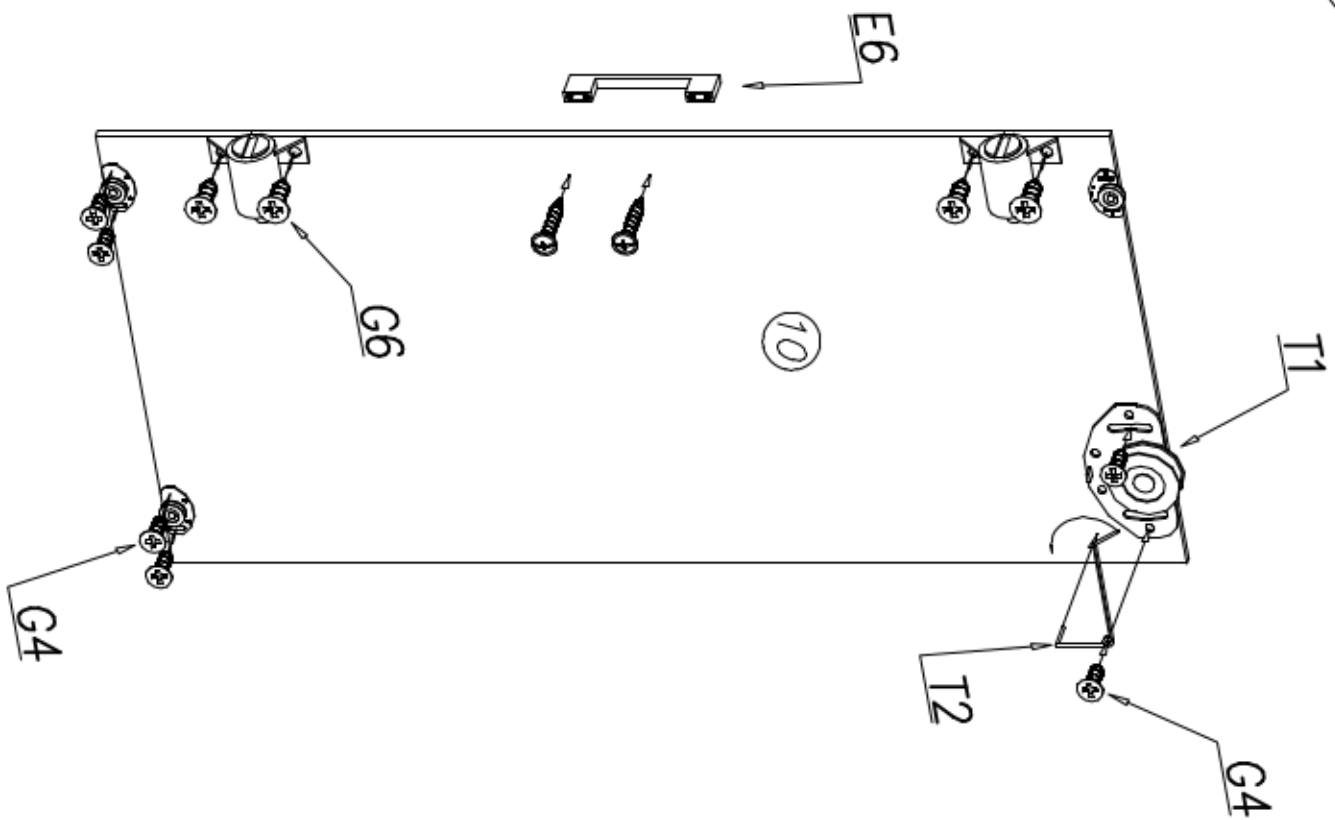
| | | | | |
|--|--|--|---|---|
| | T3  1960mm x4 | G3  4x30 x1 | T30  x1 | S1  1621mm x2 |
| T1  x8 | T2  x4 | L3  x4 | K6  x2 | K1  ø15x12 x16 |
| S2  x23 | W1  x4 | E6  x2 | G6  3x13 x38 | K15  x12 |
| S5  966mm x1 | P3  x8 | G8  4x30 x4 | G2  3x20 x90 | G4  4x16 x17 |
| A1  ø7x50 x32 | B7  ø8x30 x74 | W2  x1 | M2  x4 | S4  x2 |

1

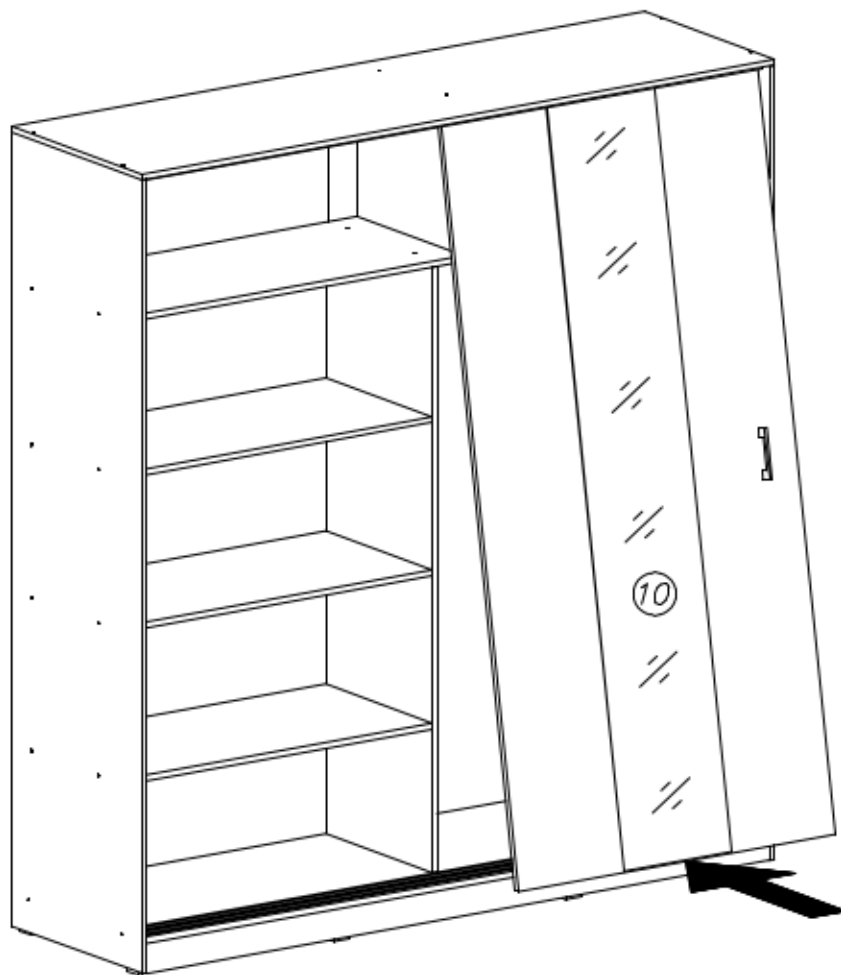


11

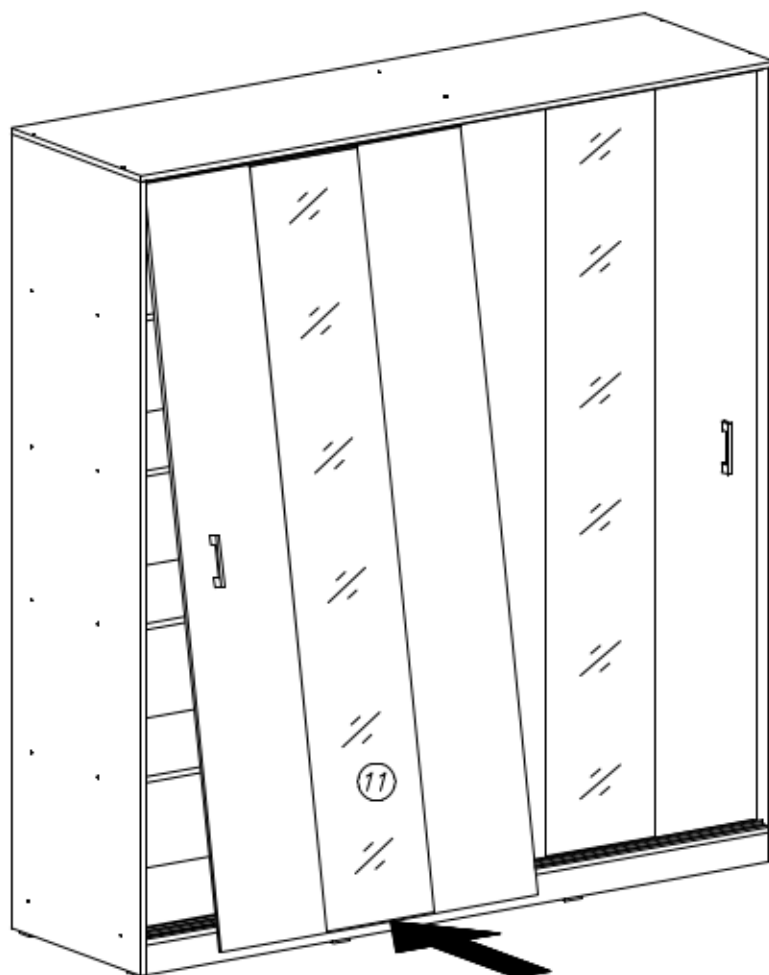




IV



V



VI

