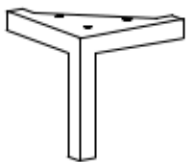


P13



x4

G44



6x16

x12

M8



M6x85

x1

W3



6mm

x1

G8



4x30

x24

N34



M6x50

x12

Q5



100mm

x1

K1



ø15x12

x12

K10



x12

7L



x1

7P



x1

Q6



128mm

x1

N35



M6x25

x6

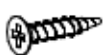
N36



M6x20

x10

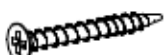
G11



4x20

x12

G9



3,5x35

x28

I8



x28

A5



ø7x60

x2

B2



ø6x30

x18

A1



ø7x50

x4

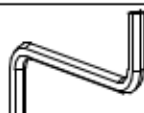
B7



ø8x30

x22

W2



x1

W1



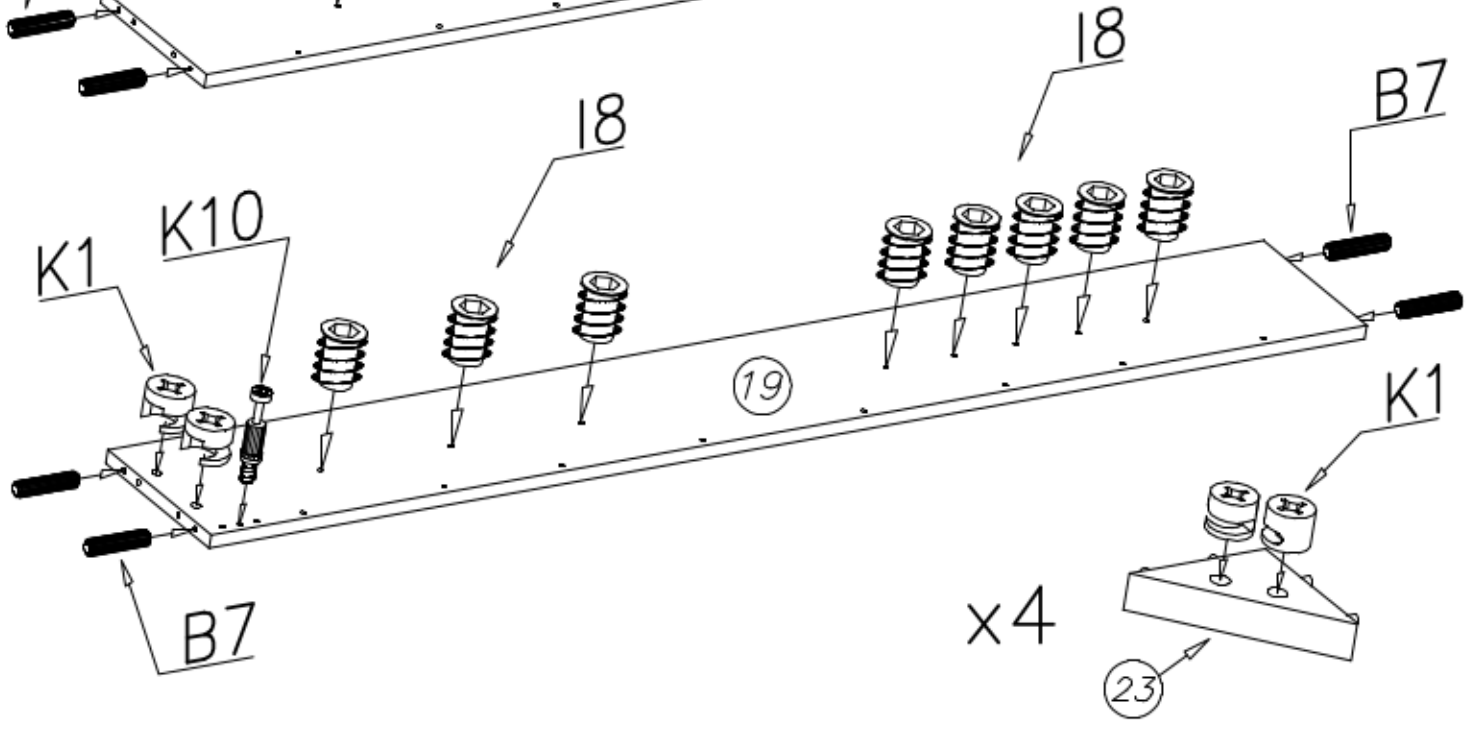
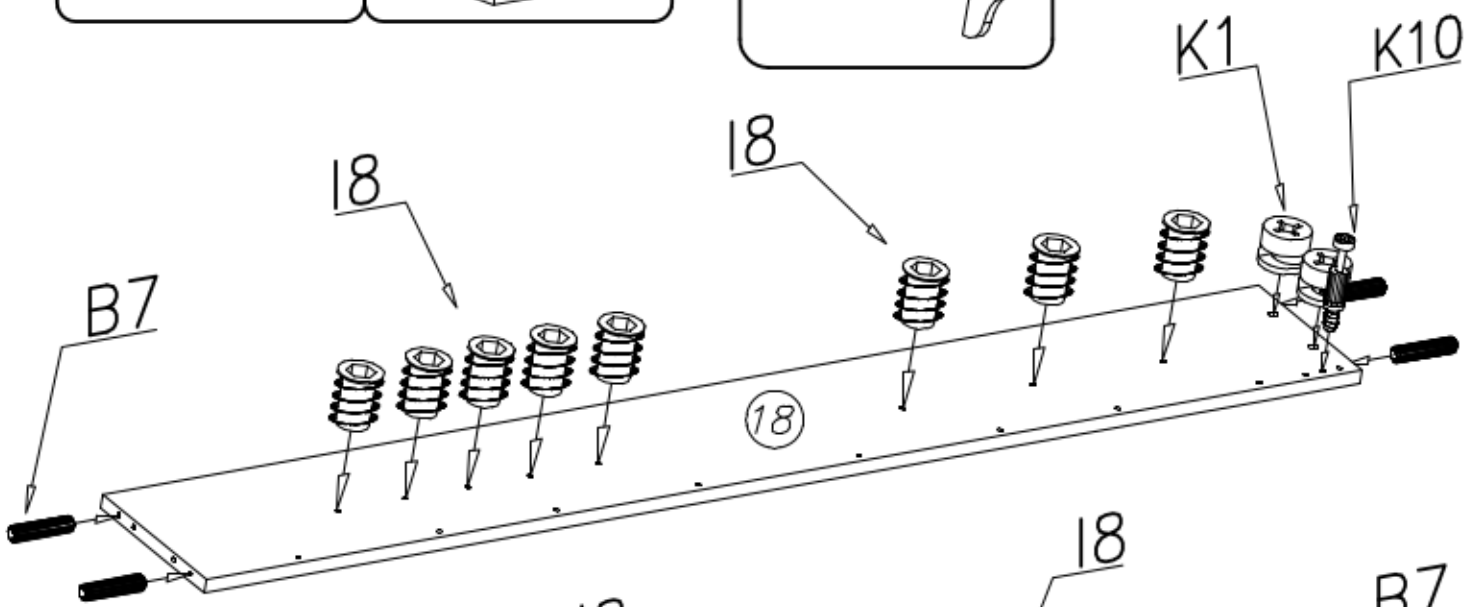
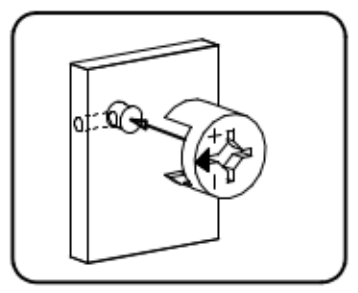
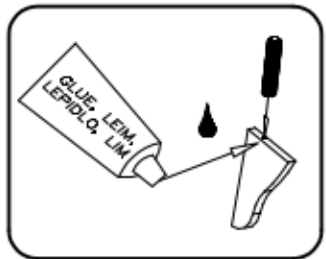
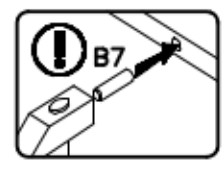
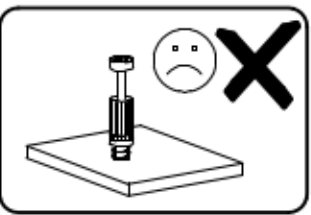
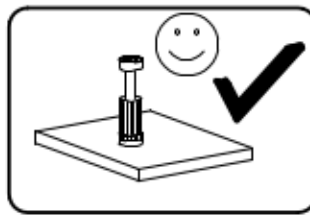
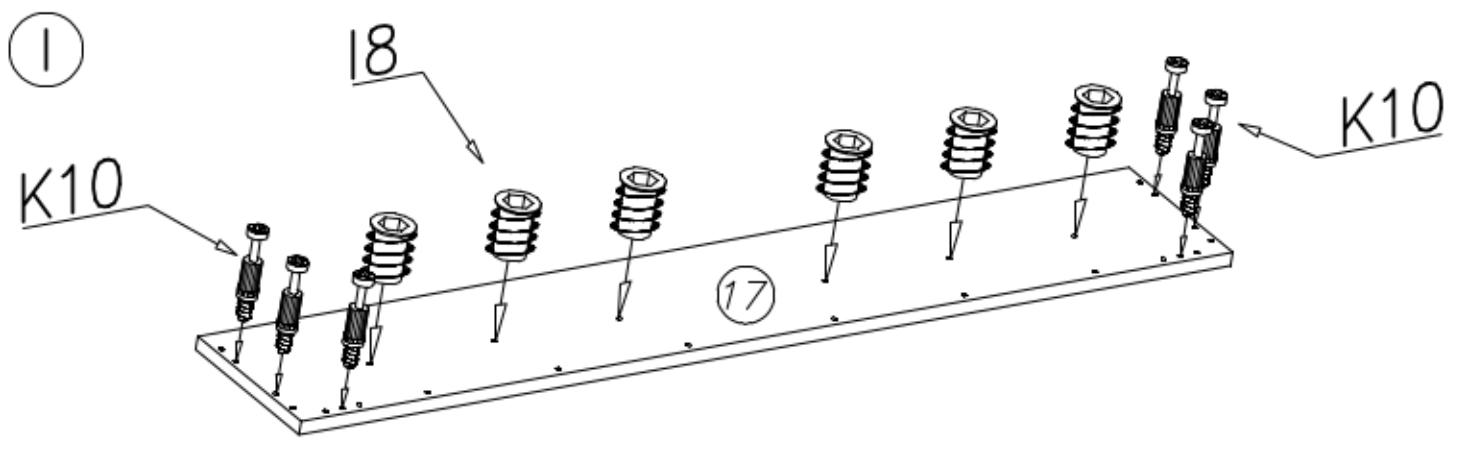
x1

M3

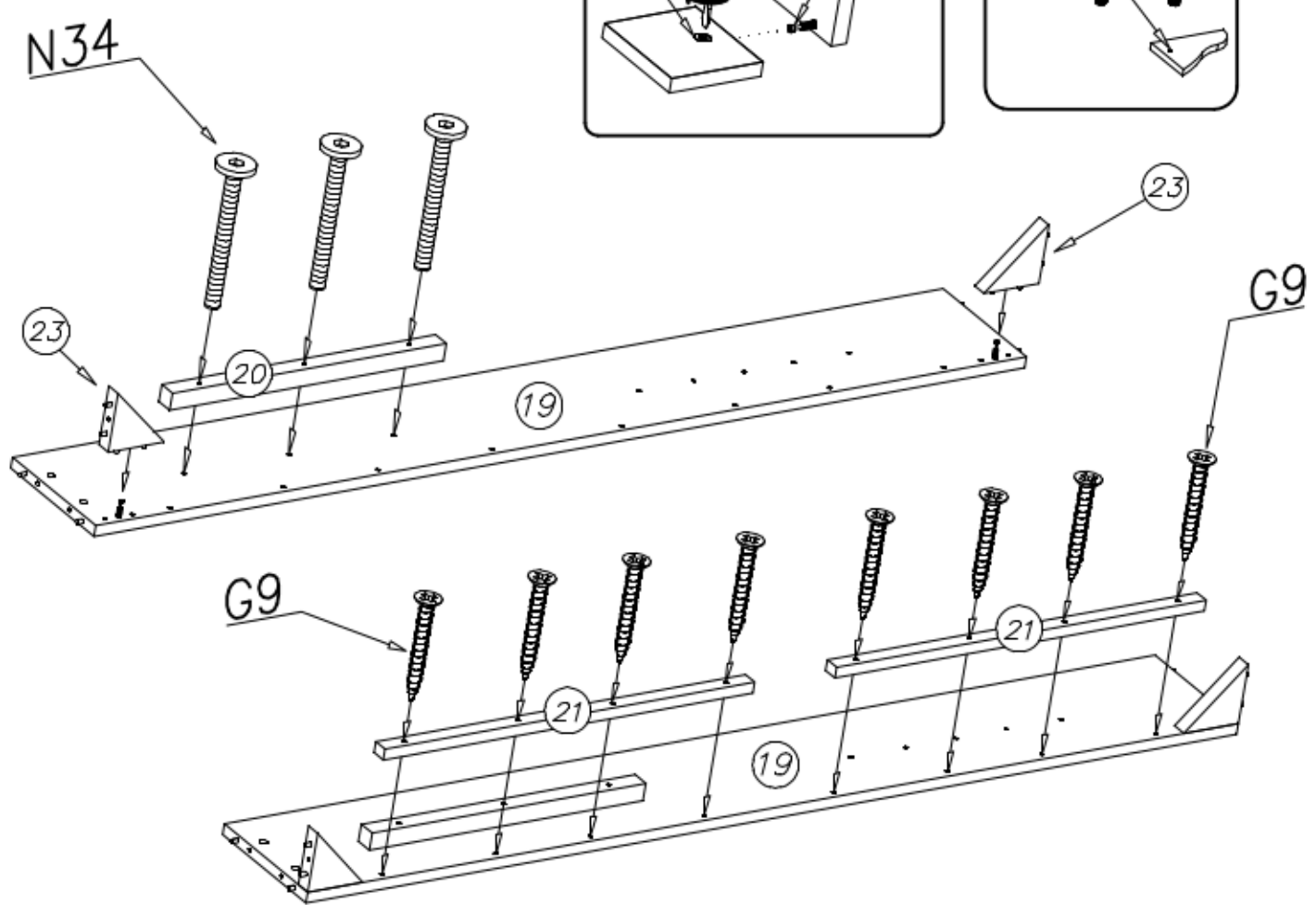
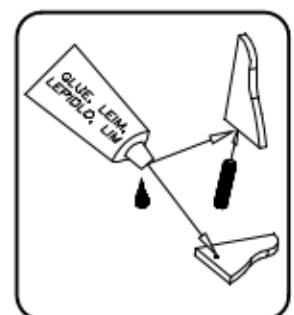
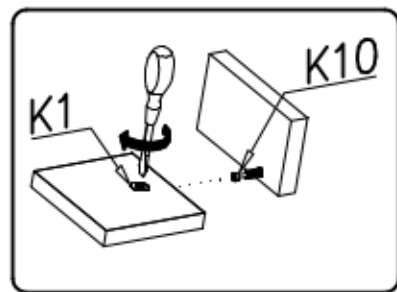
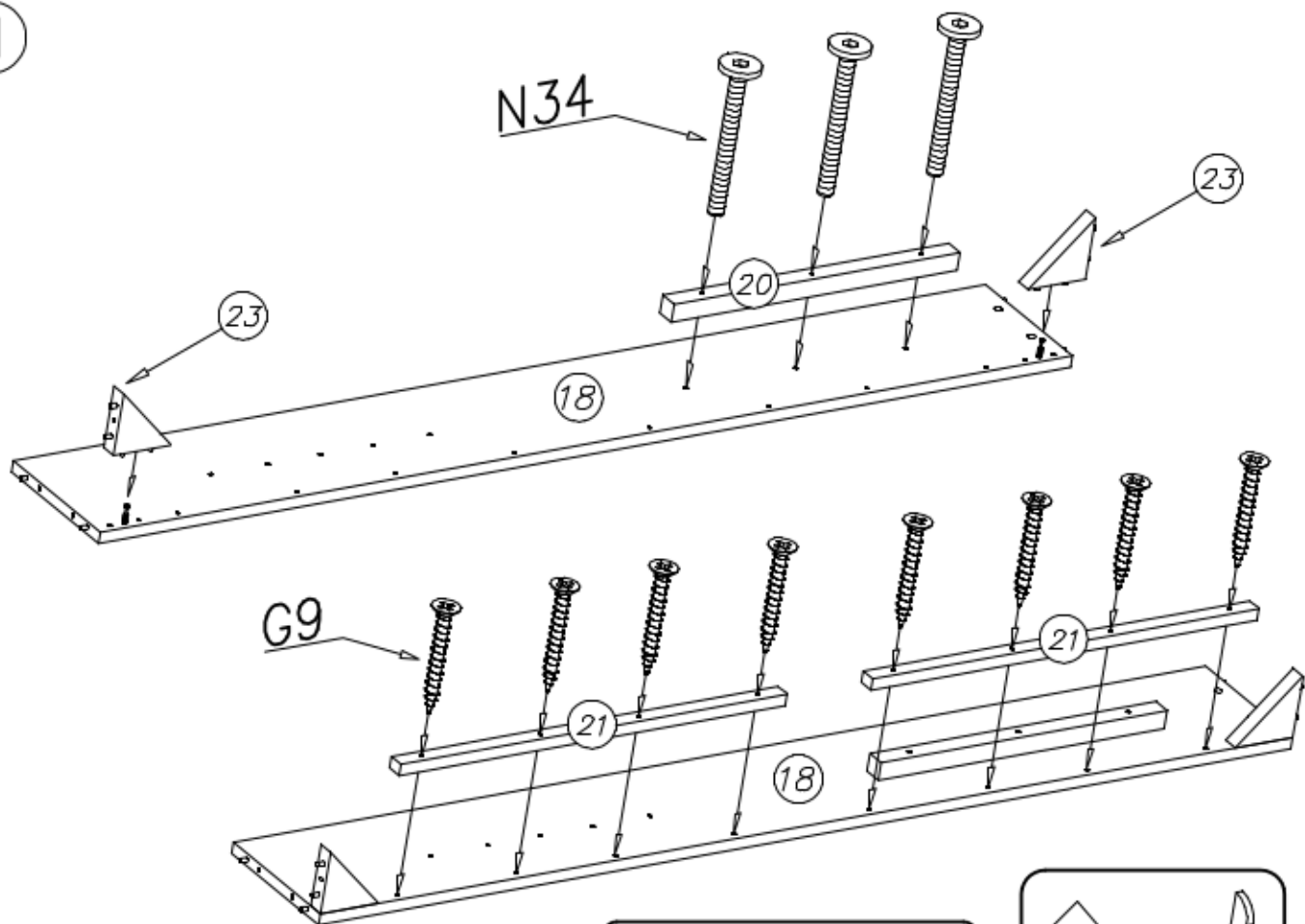


50x50x25

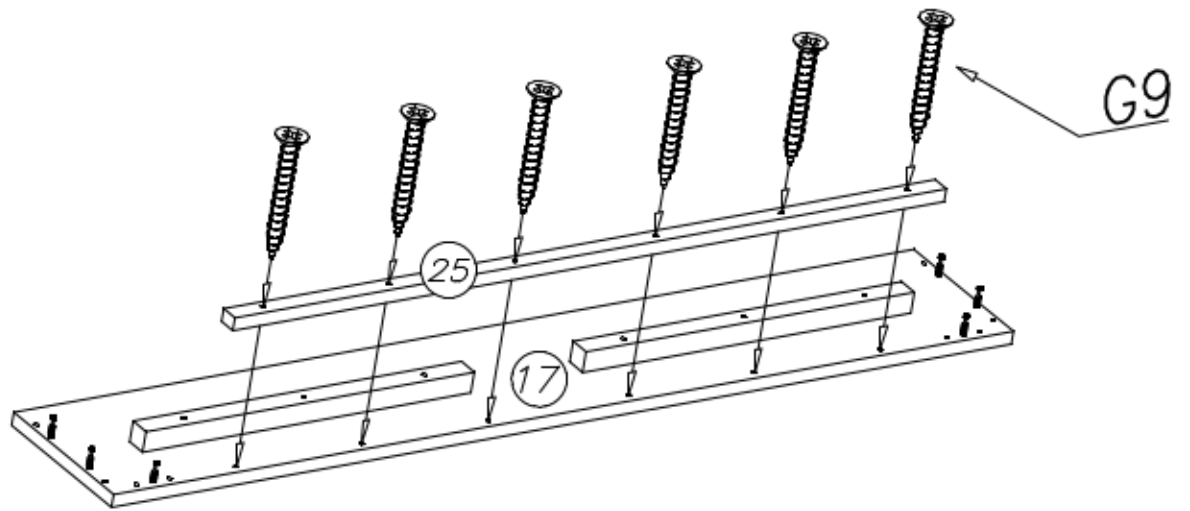
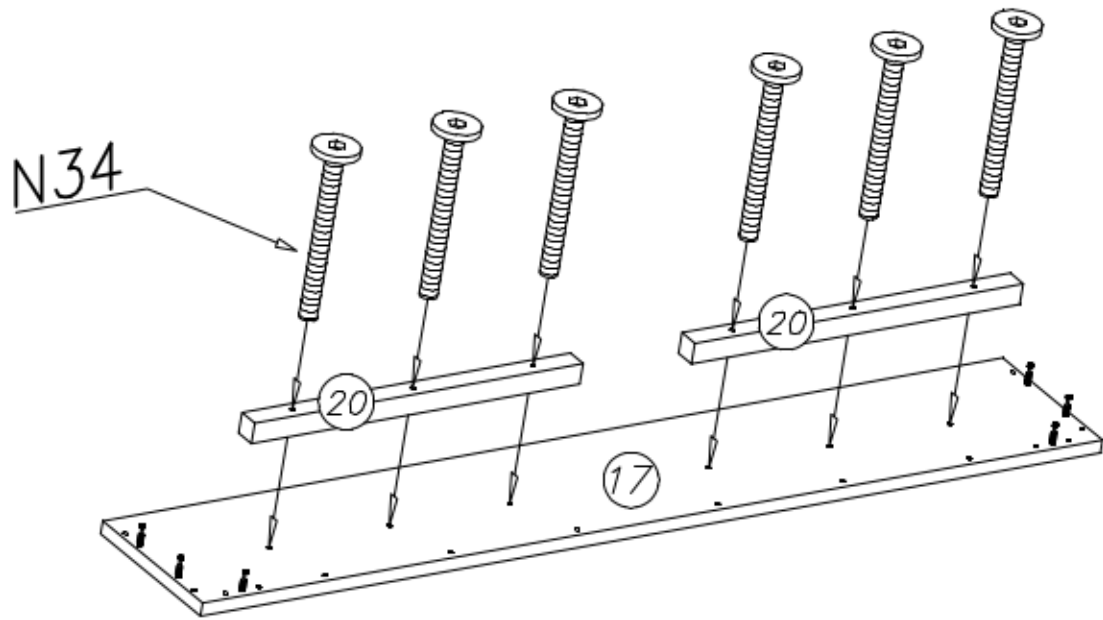
x2



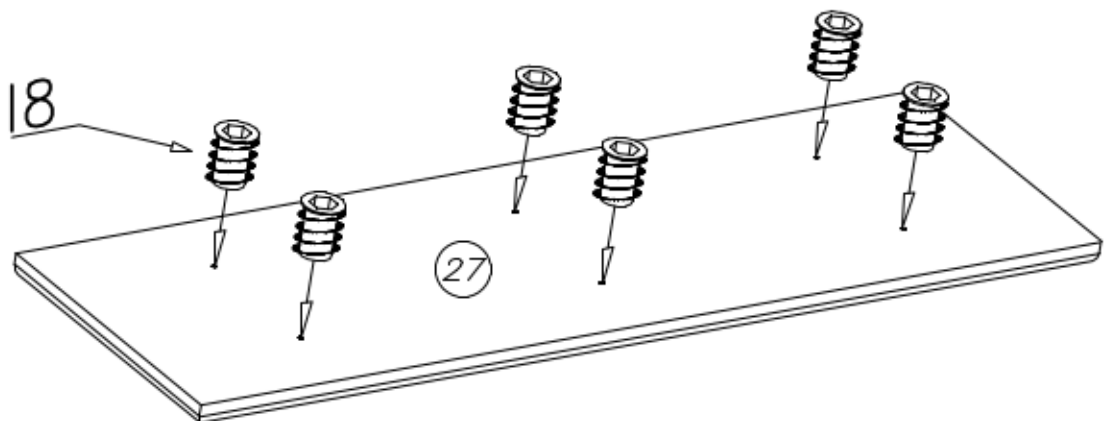
II



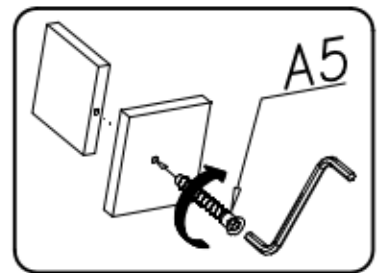
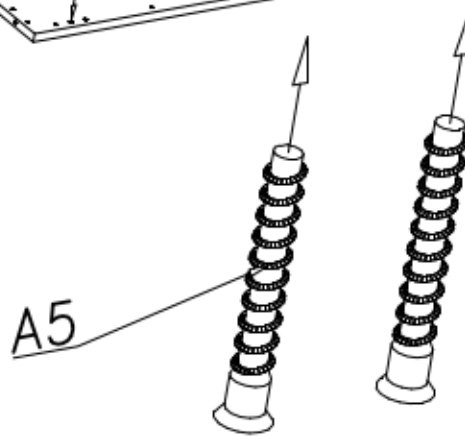
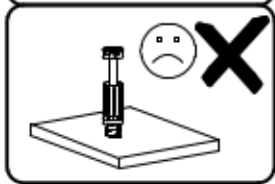
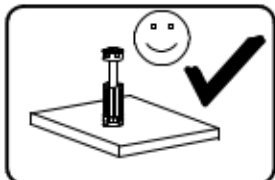
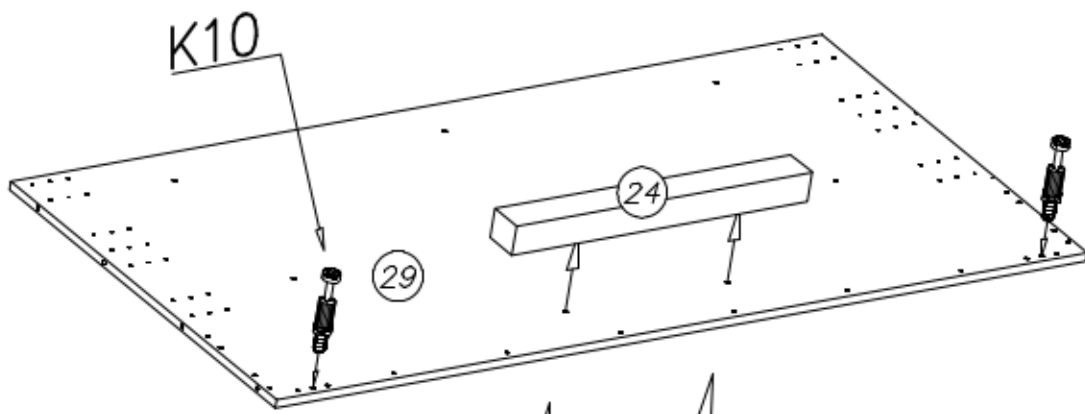
III



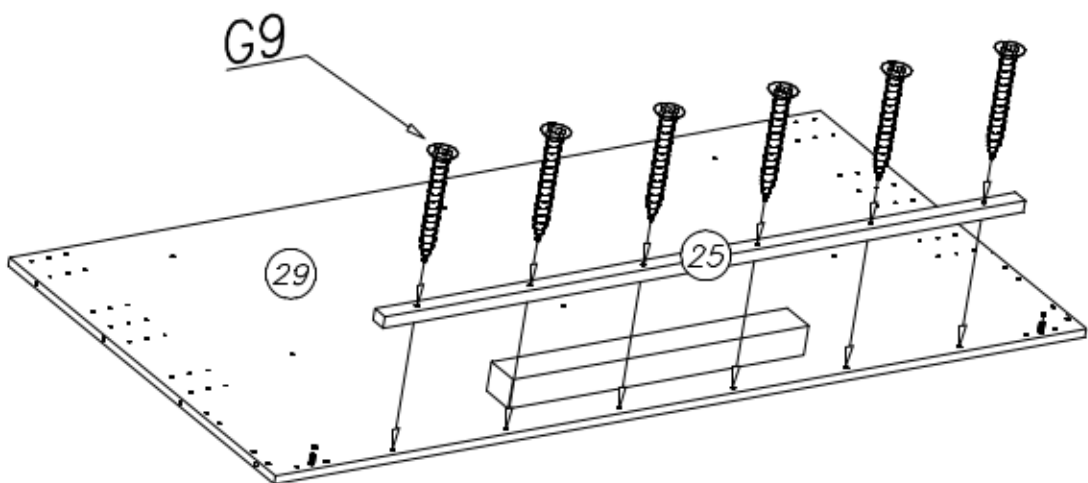
IV



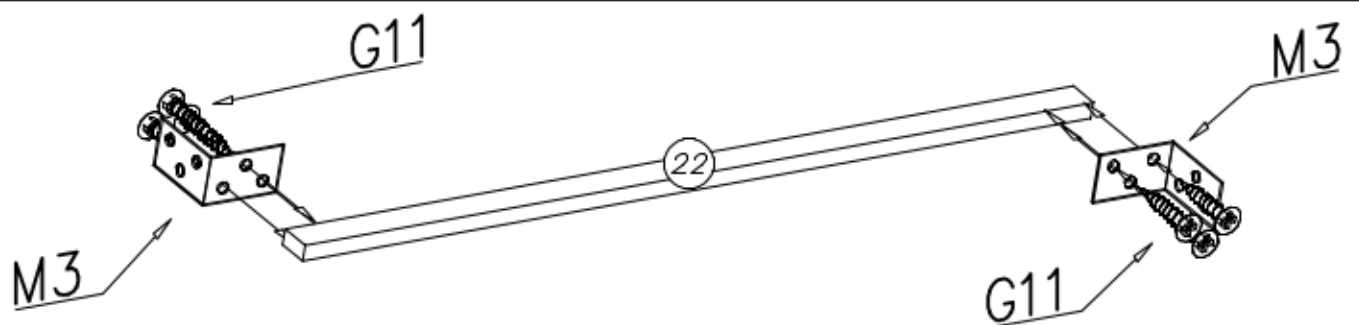
V



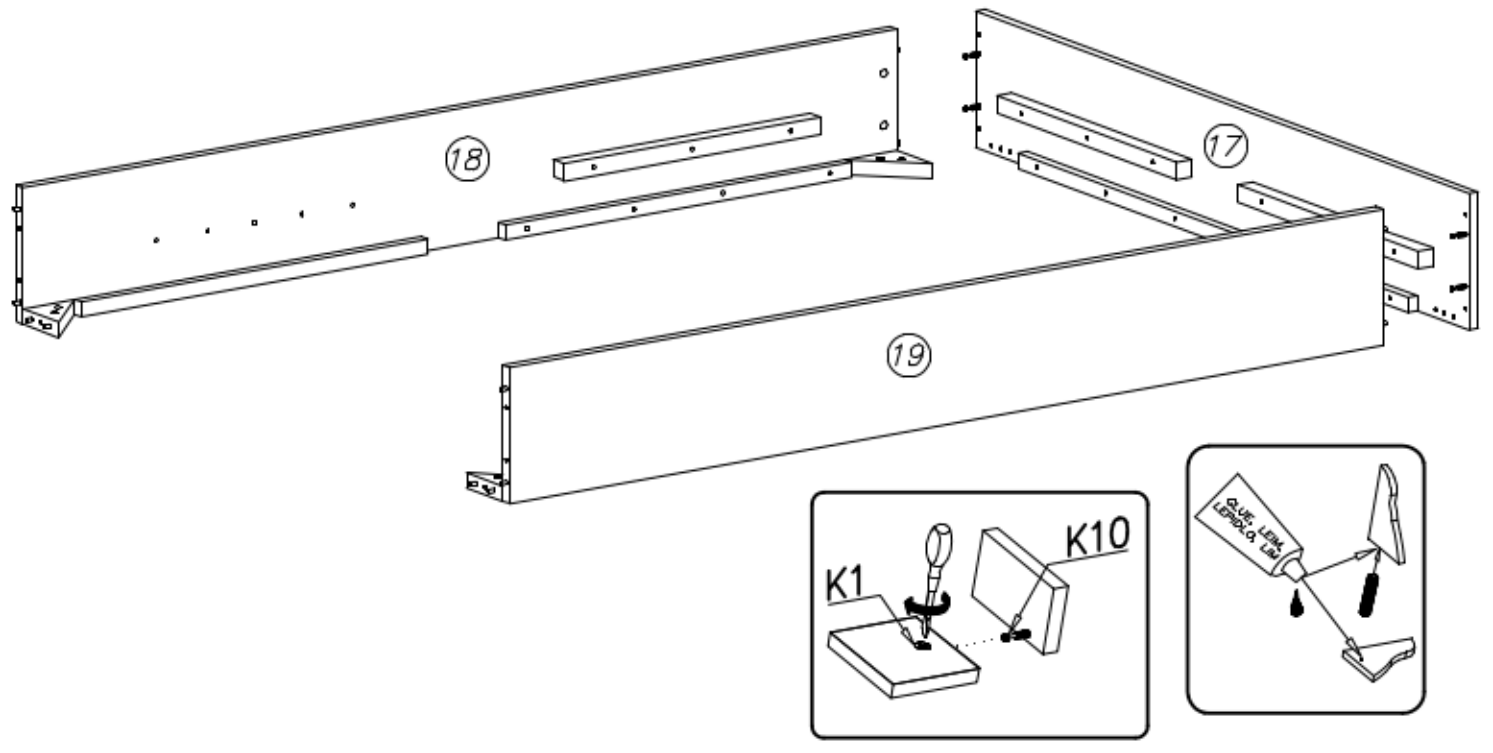
VI



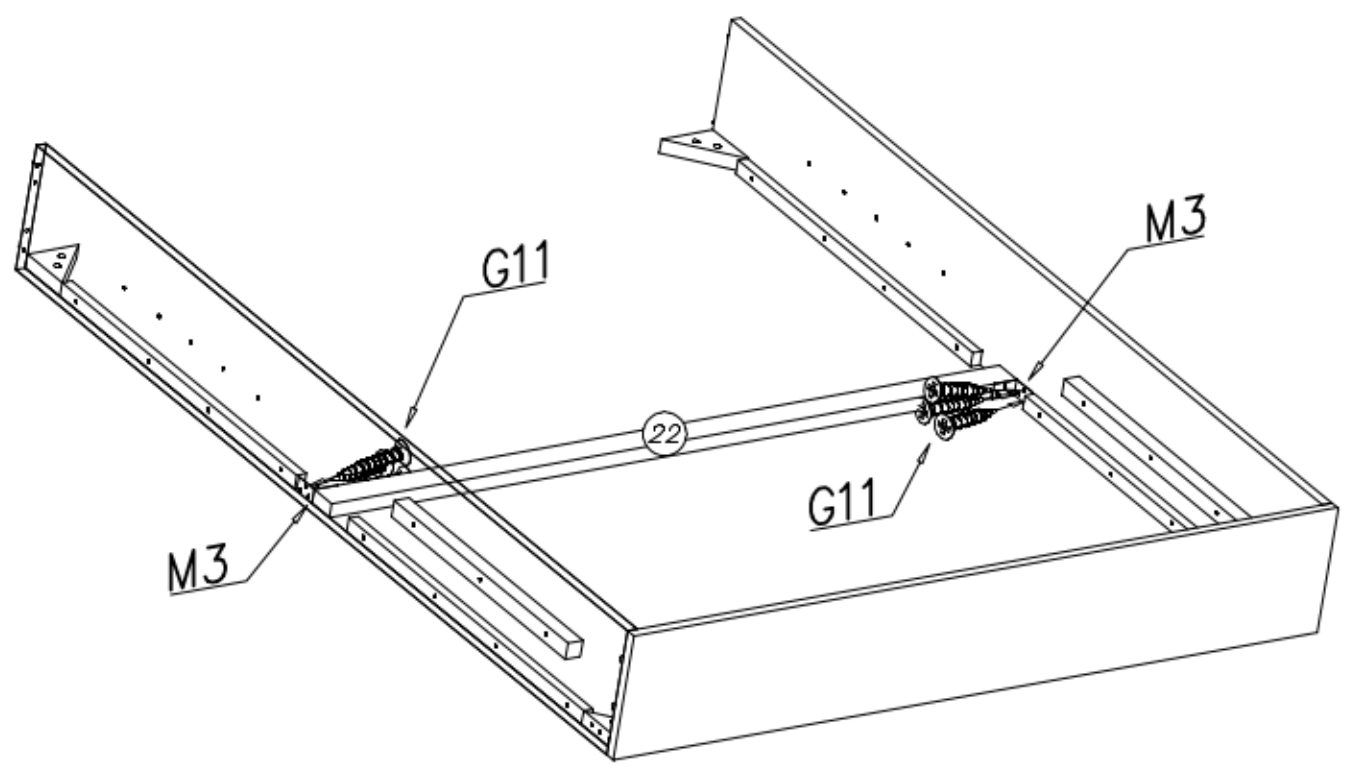
VII



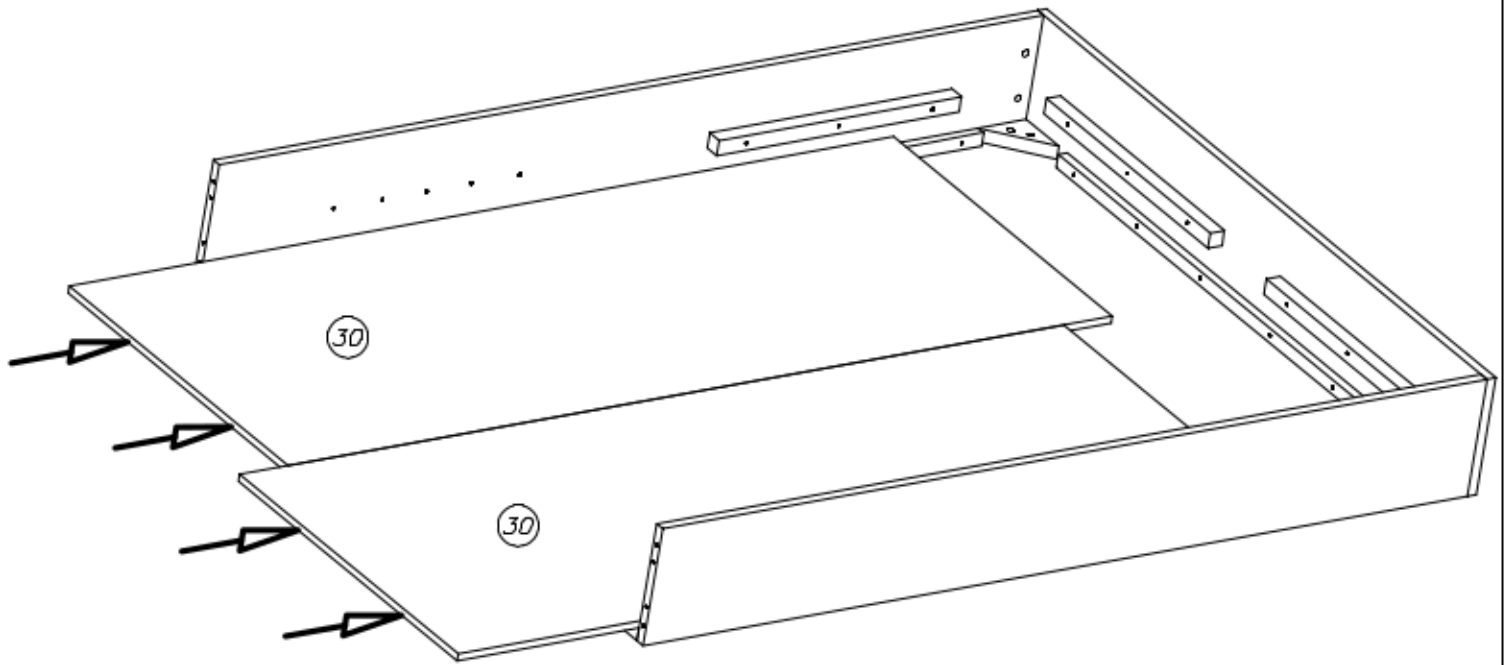
VIII



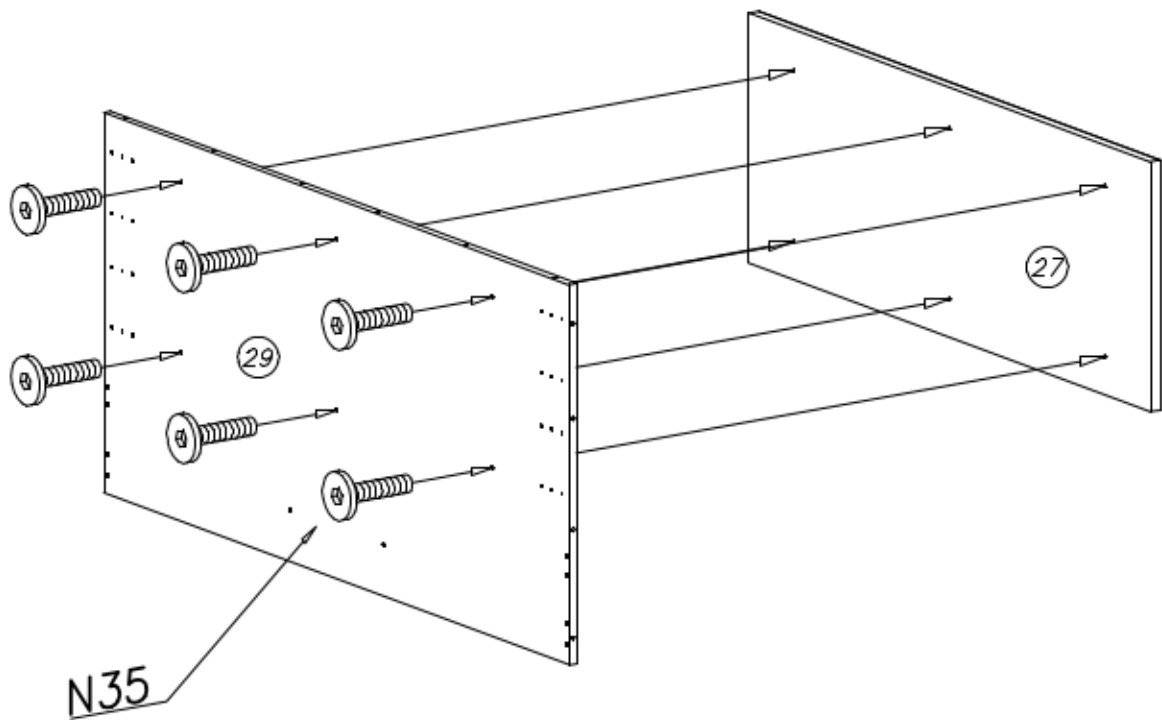
IX



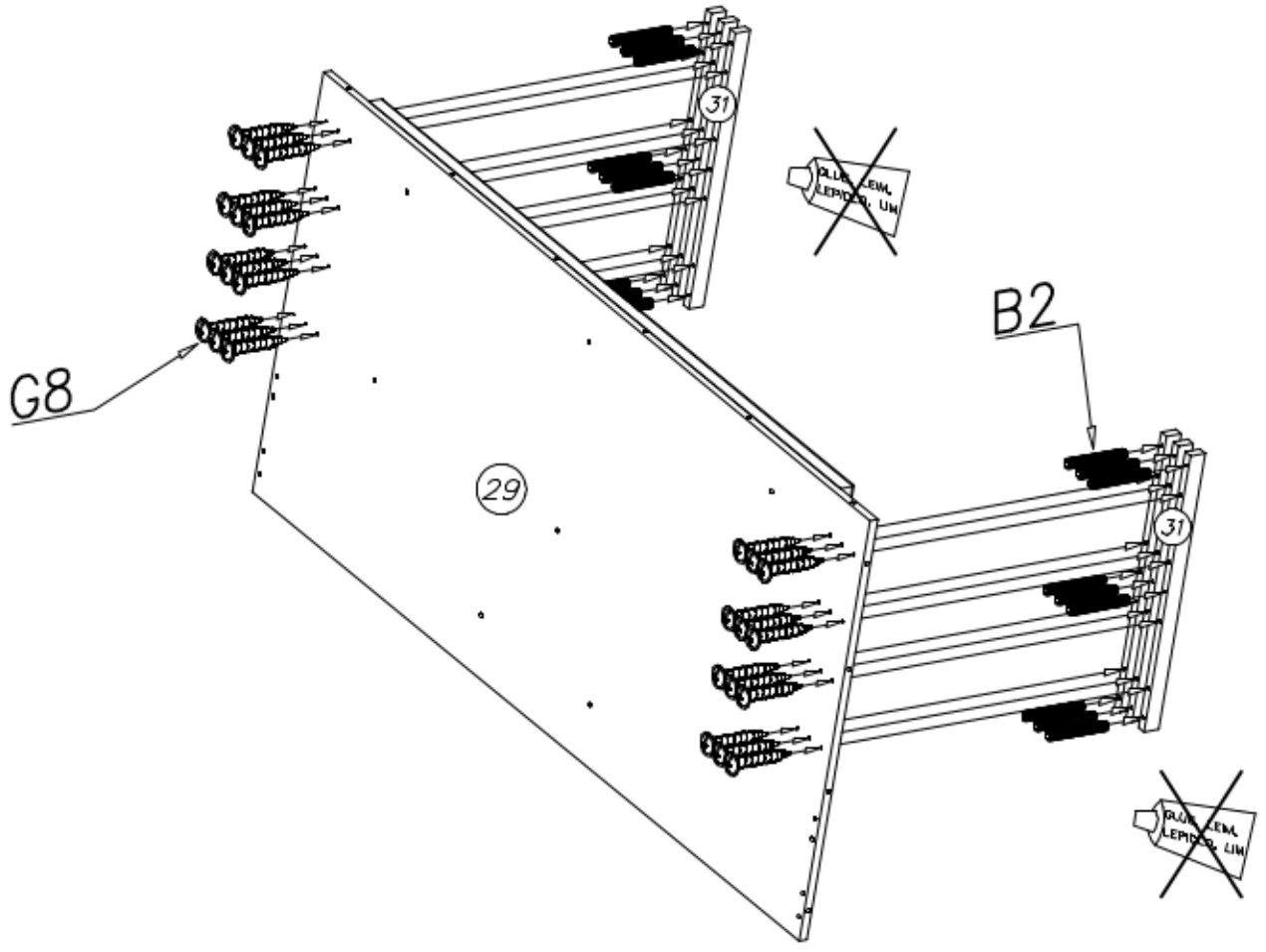
(X)



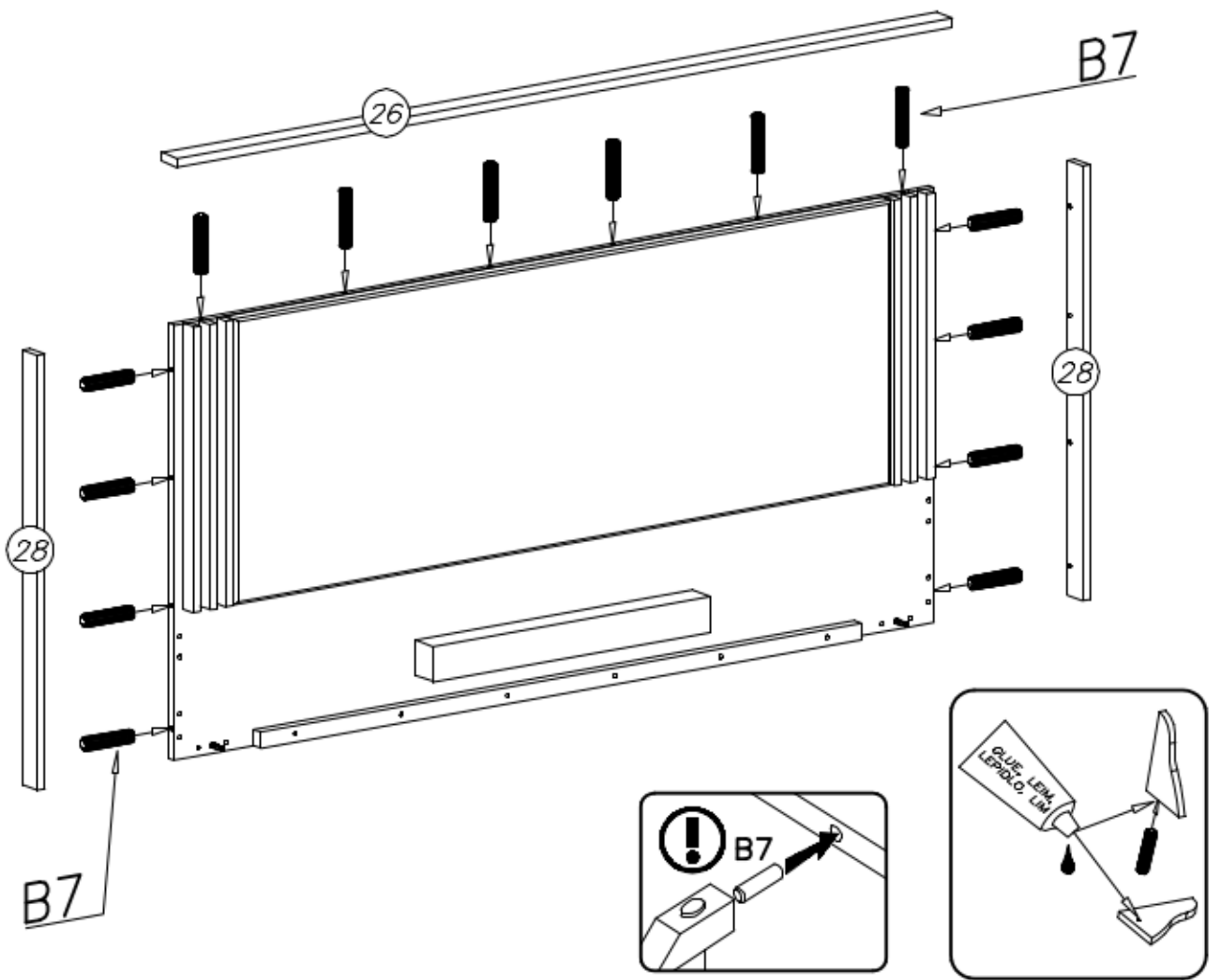
(XI)



XII



XIII





XIV

