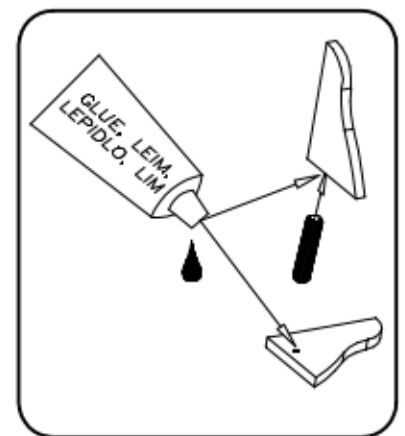
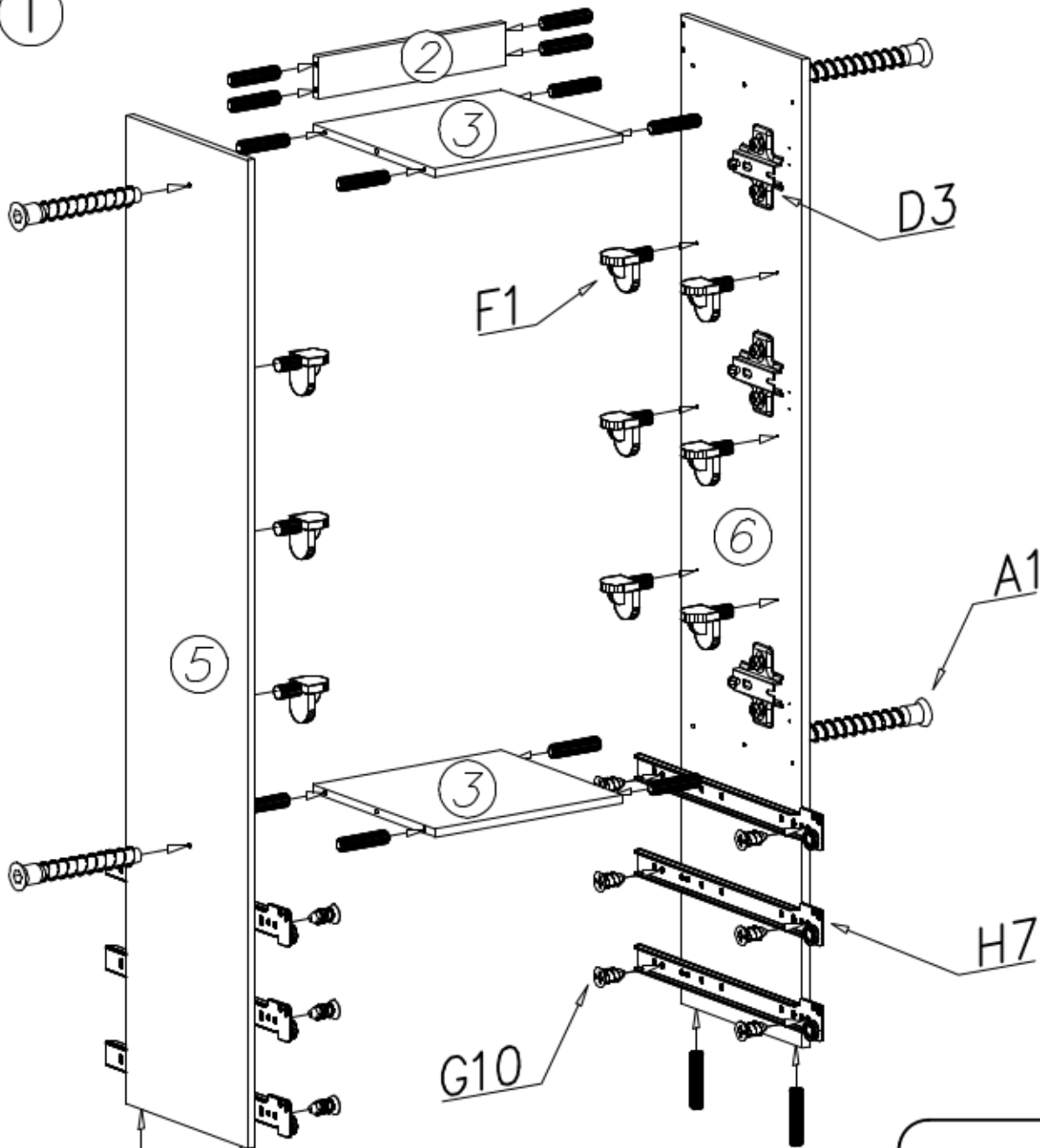


1



B7

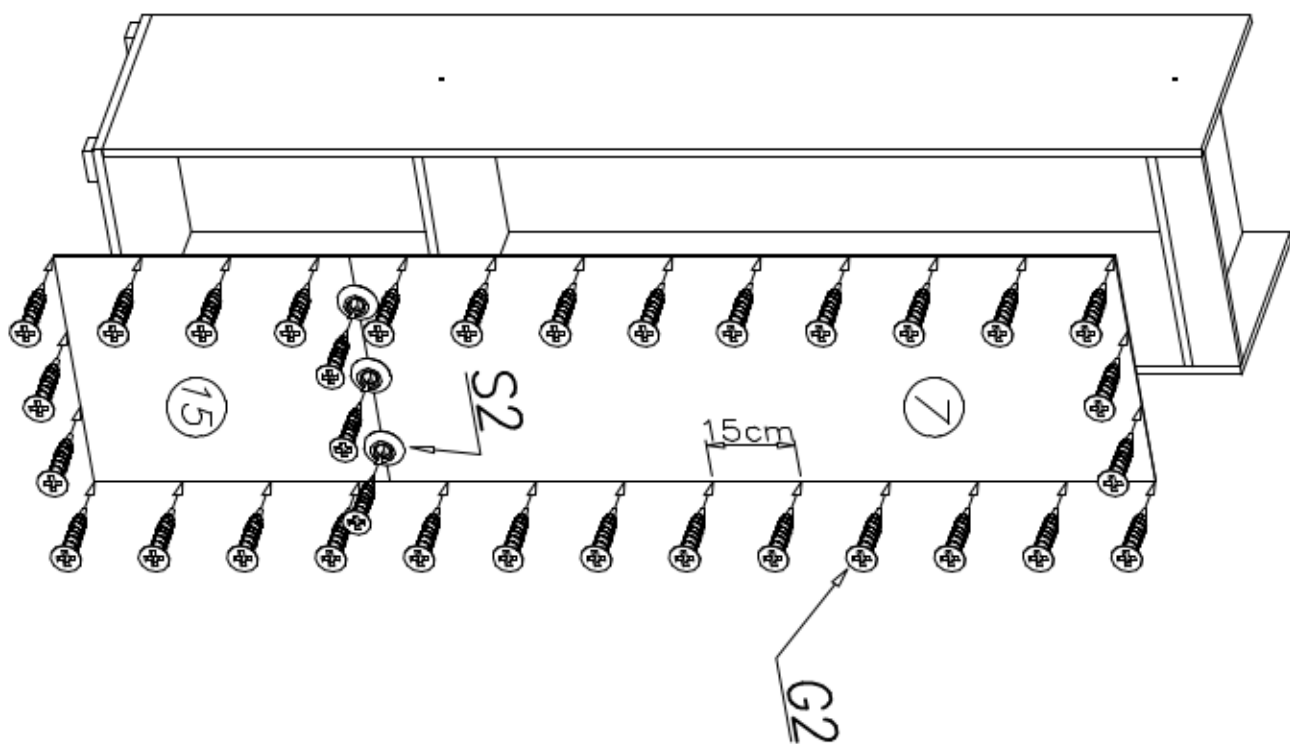
G10

GLUE. LEM. LEPIDLO. LIM

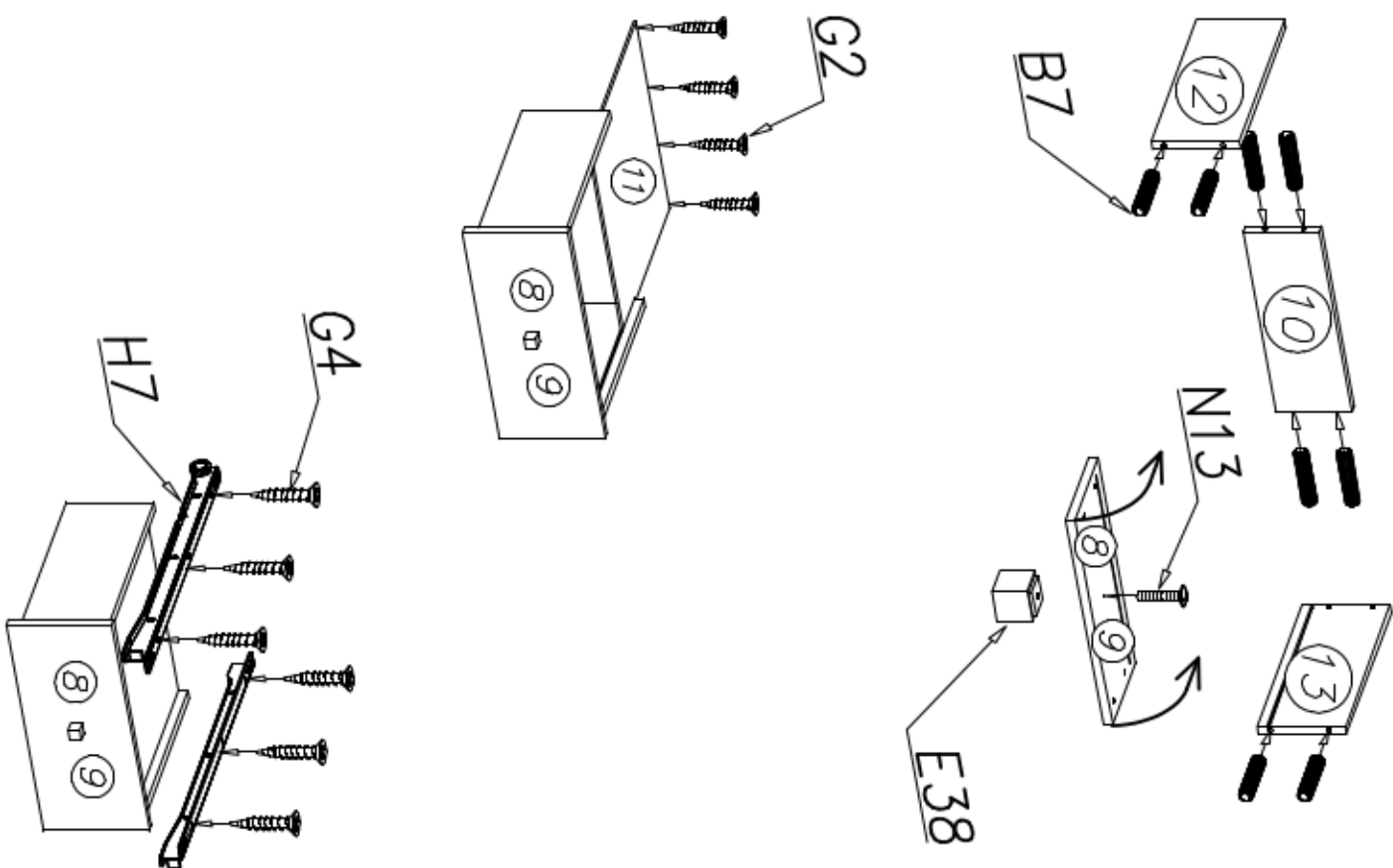
P15

G12

II



III



IV

