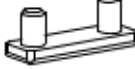


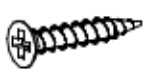




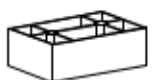

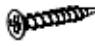
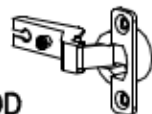

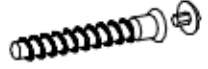

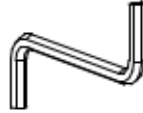


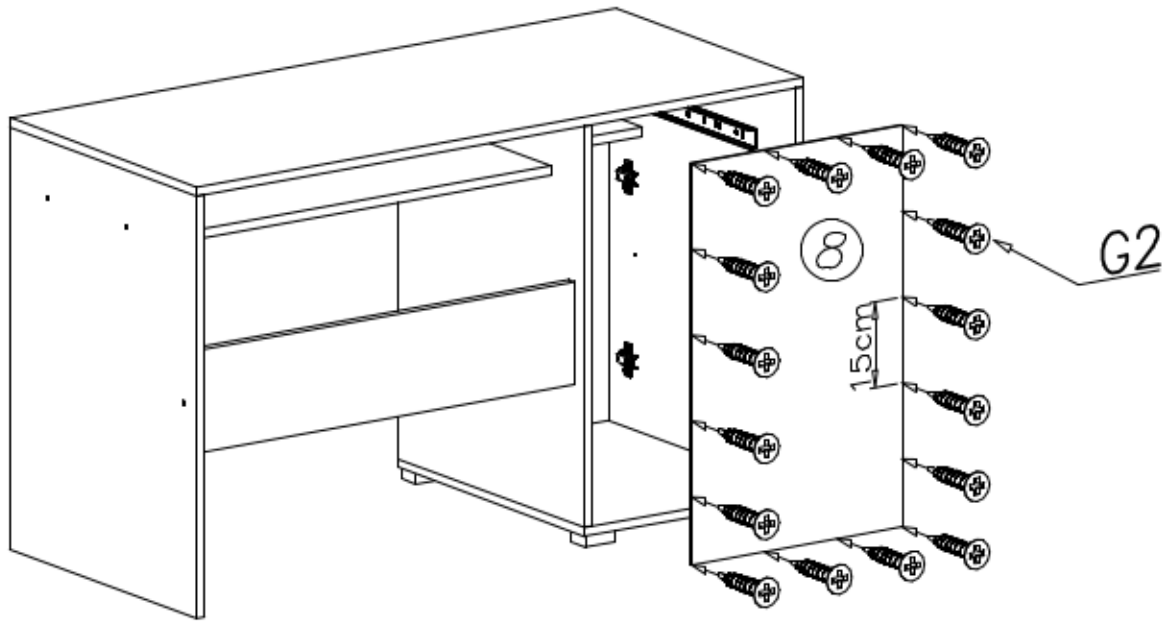


		P3  x2	E7  x1	E8  x1
G12 3,5x25 x8 	W1 GLUE, LEIM, LEPIDLO, LIM x2 	N13 M4x22 x3 	D4 PZ350D x2 	H8  x1
P2  x4	G4 4x16 x10 	G2 3x20 x20 	C4 Z350D x2 	400mm x1 
A1 ø7x50 x12 	B7 ø8x30 x35 	W2  x1	F1  x4	G10 6x13 x4 

III



IV

