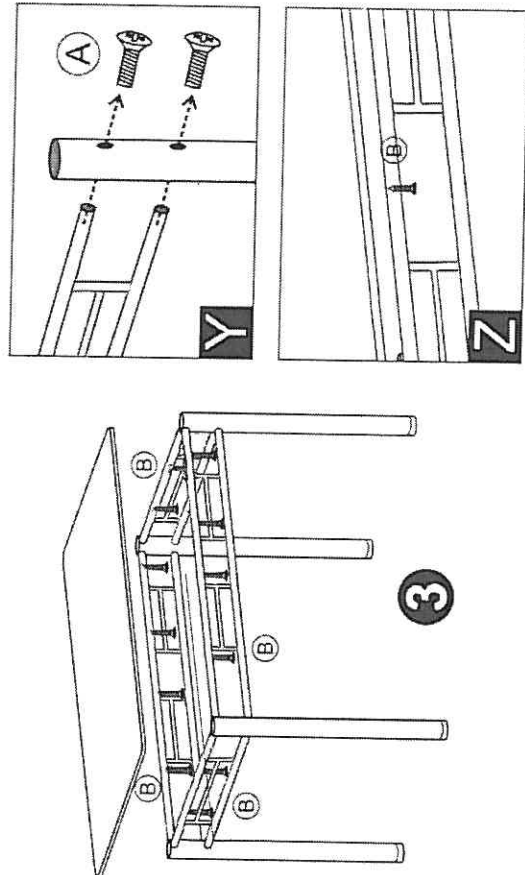
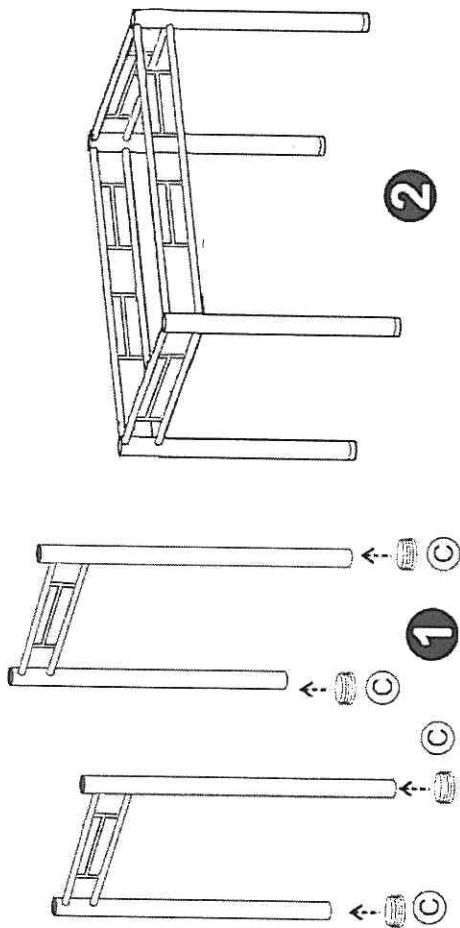


| Item | (A) | (B) | (D) | (E) |
|-------------|--------|--------|--------|------|
| Accessories | | | | |
| QTY | 8pcs*4 | 4pcs*4 | 6pcs*4 | 1pcs |



| Item | (A) | (B) | (C) |
|-------------|------|-------|------|
| Accessories | | | |
| QTY | 8pcs | 12pcs | 4pcs |