



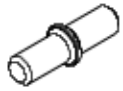













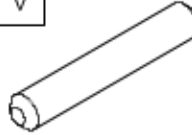
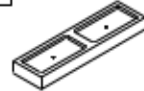
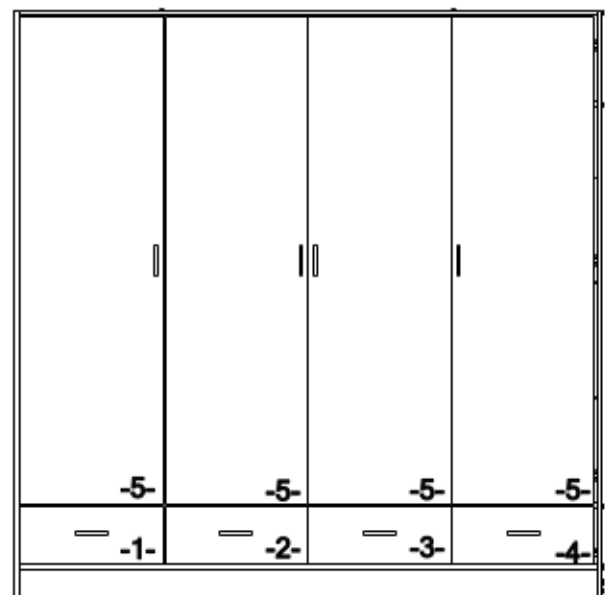
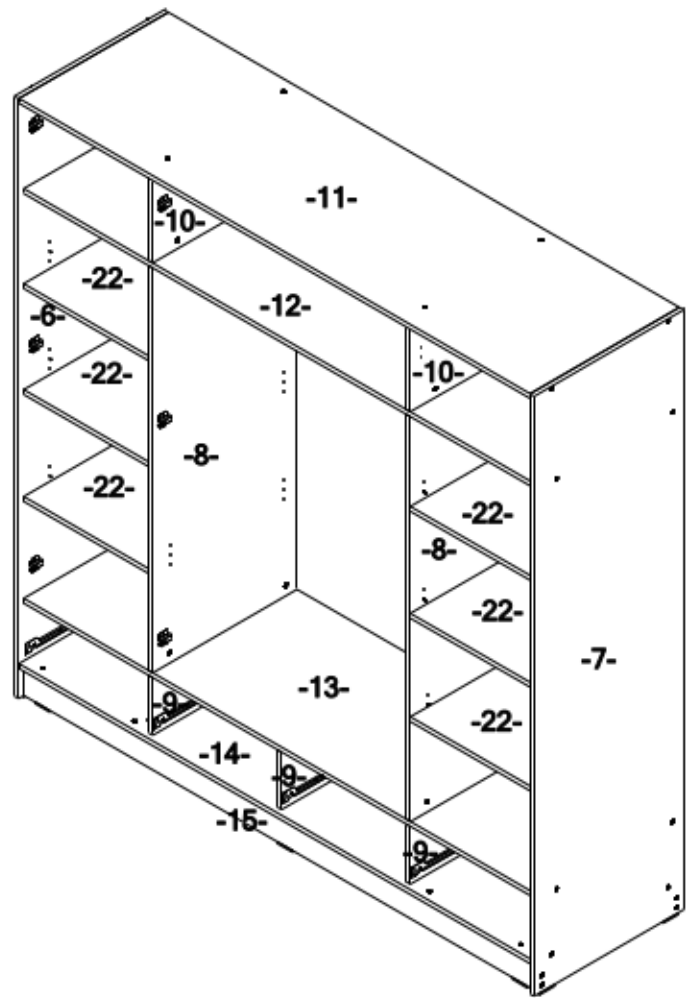
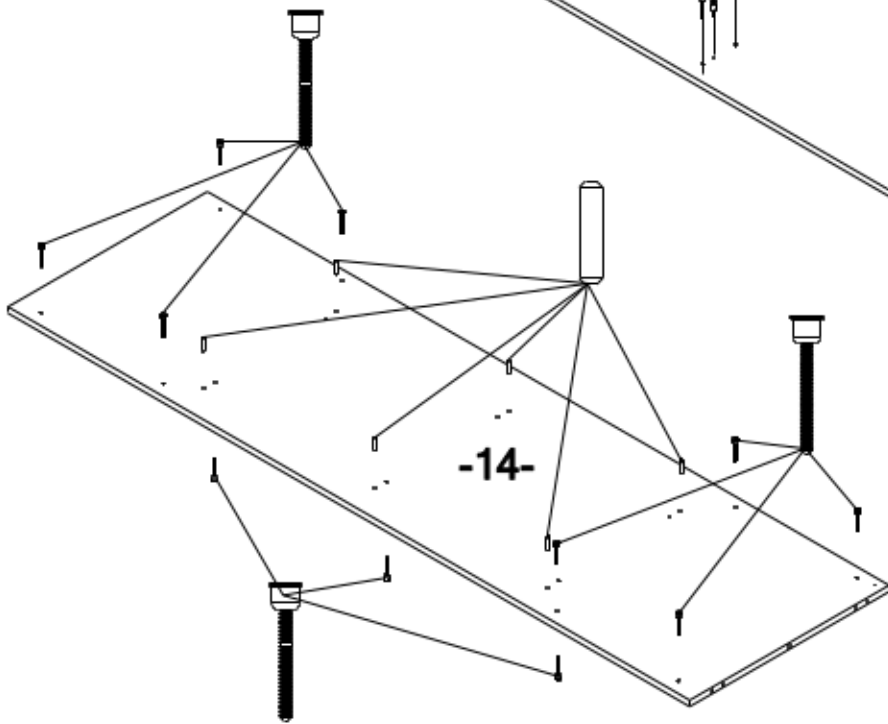
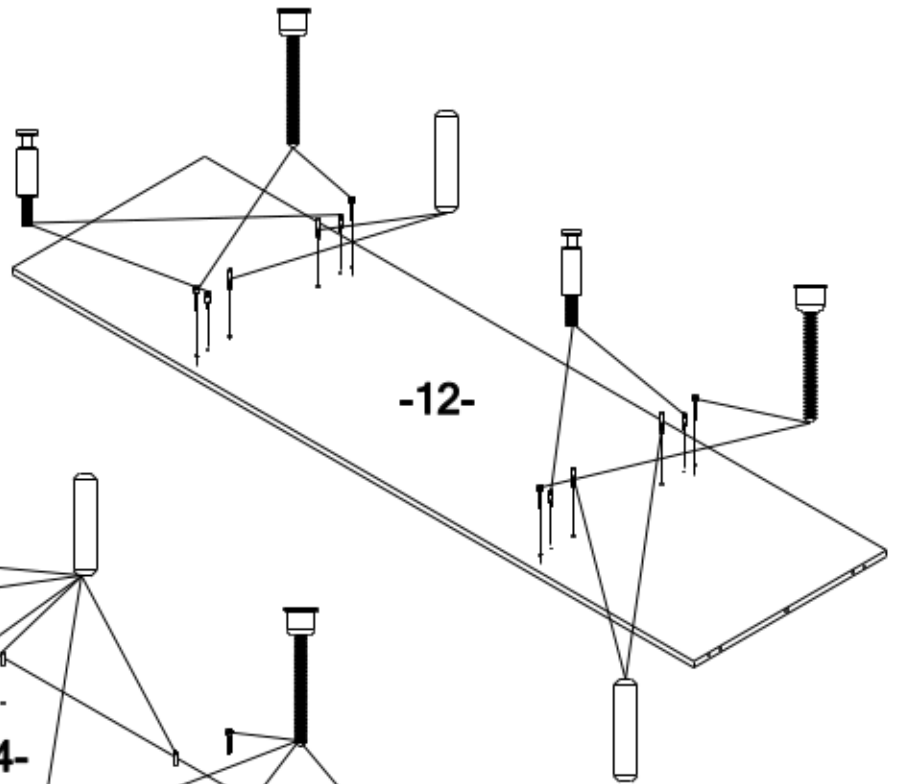
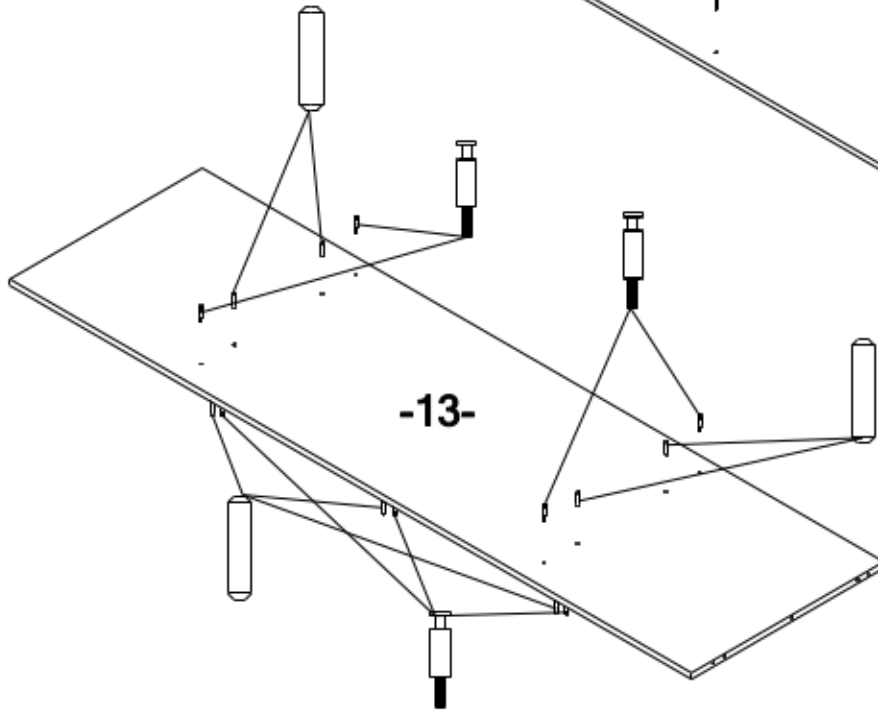
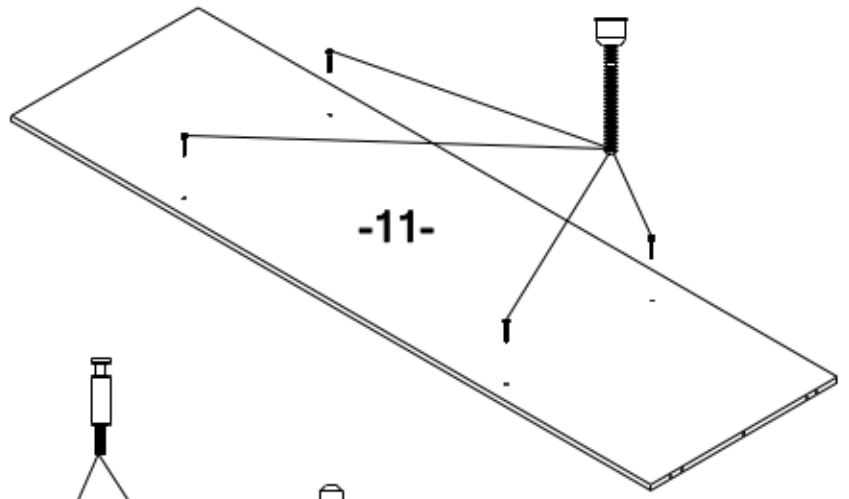
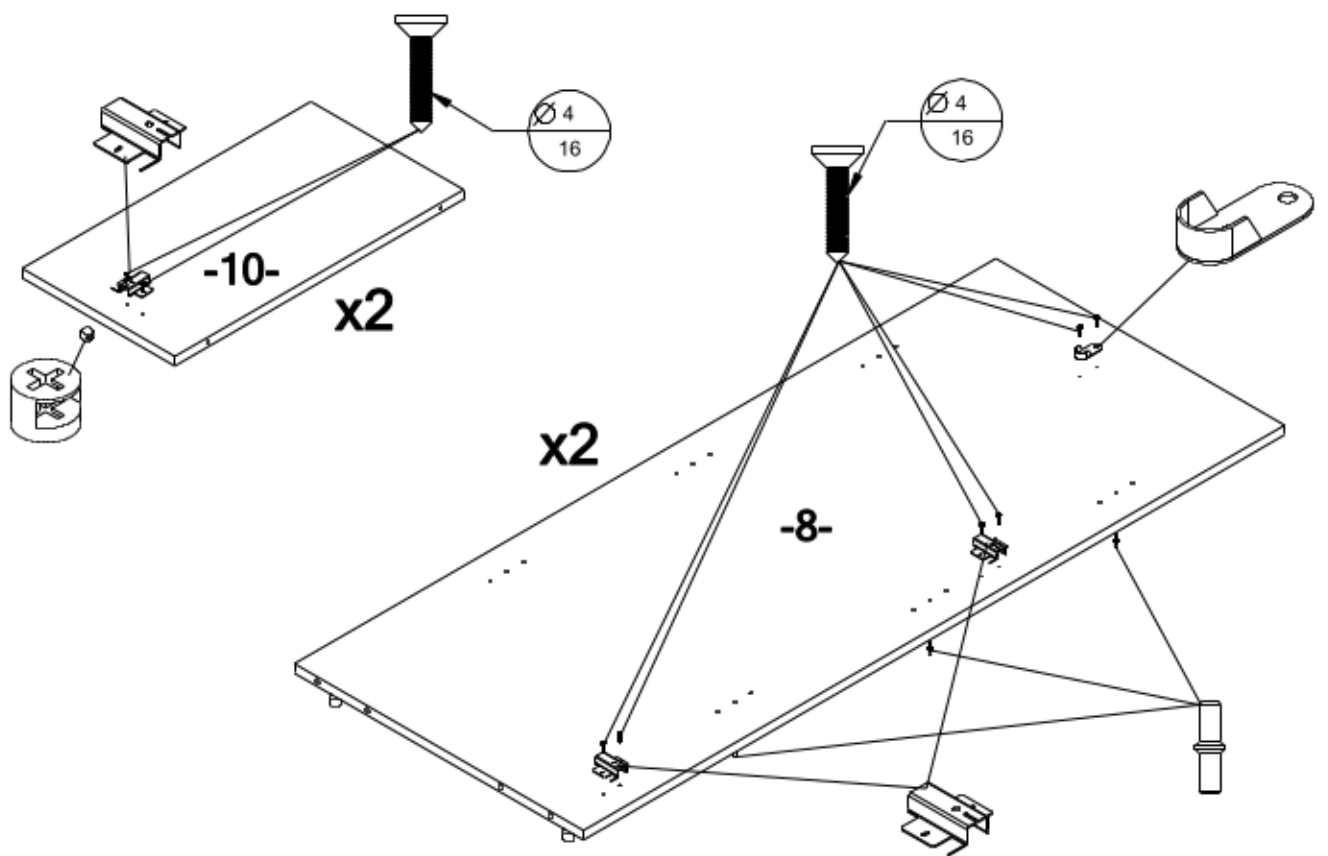
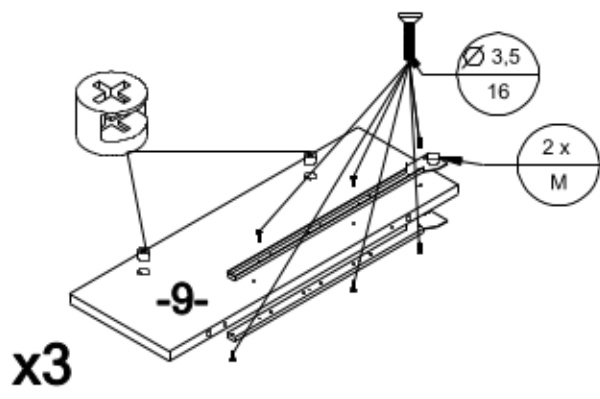


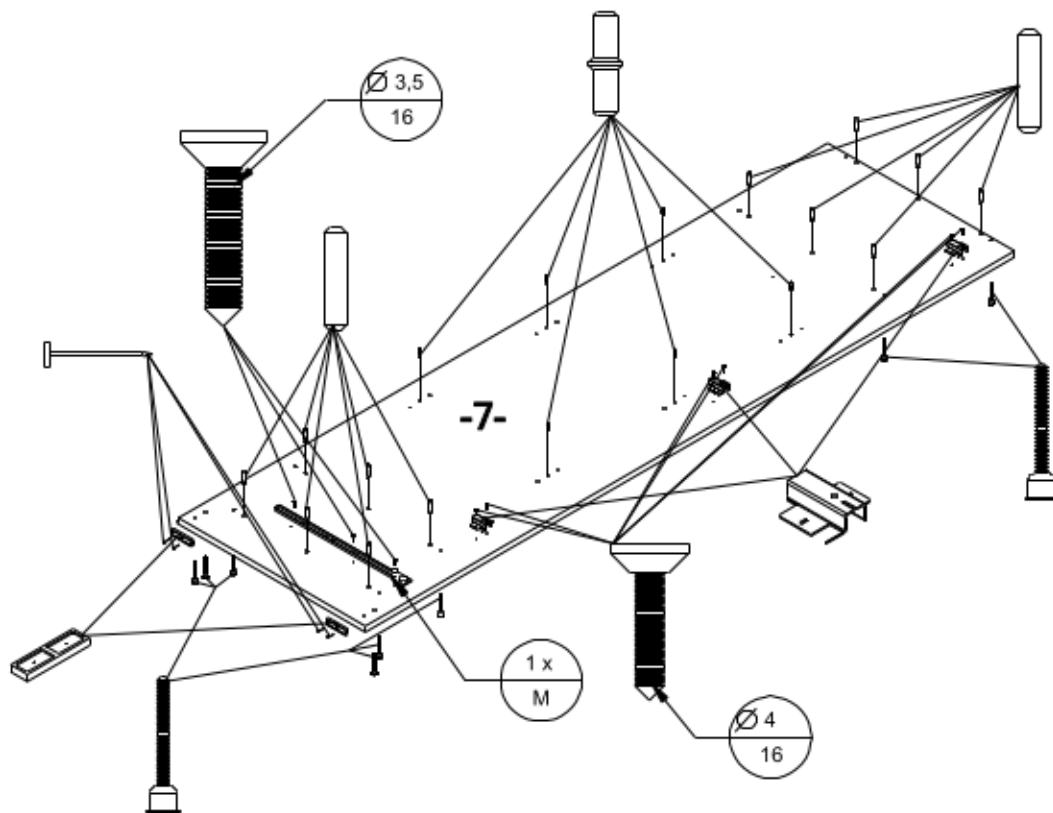
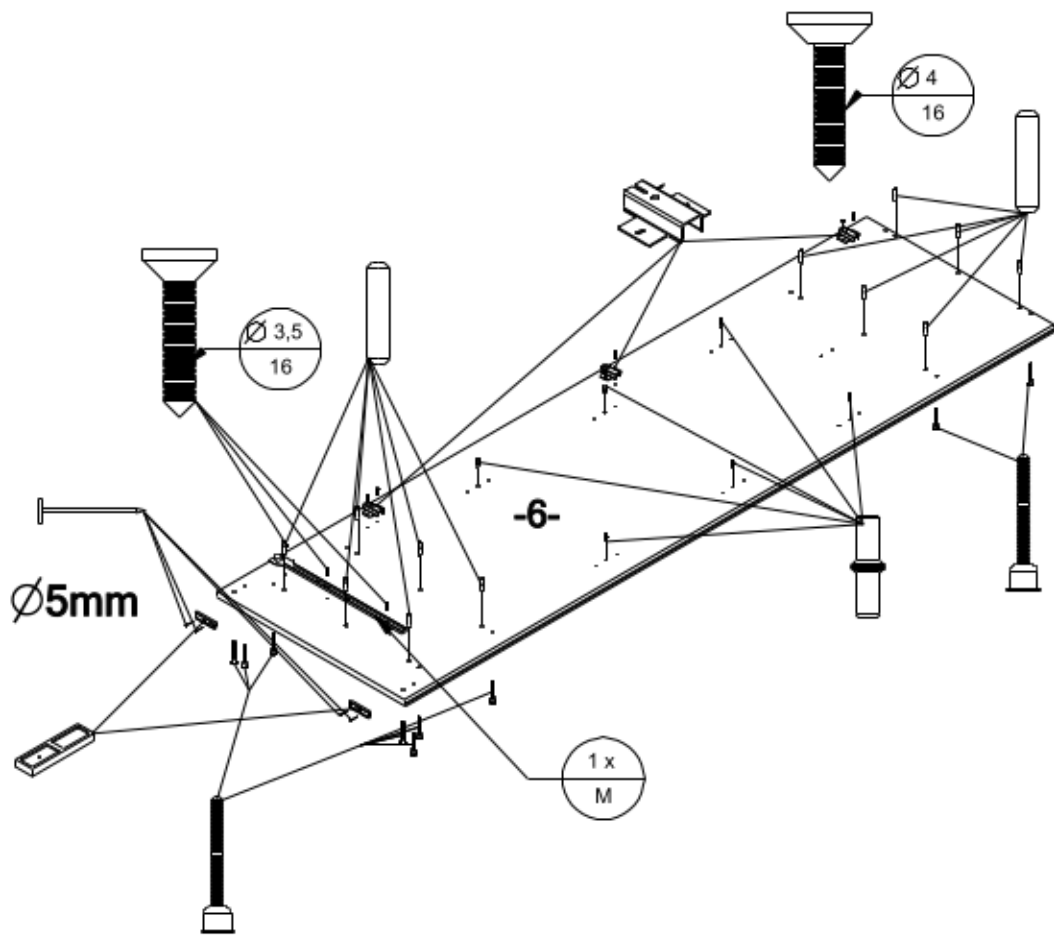
A  40	B  30	C  30	D  62	E  24
F  6	G  6	H  2	J  3,5 x 16 52	K  4 x 16 24
L  3 x 25 24	M  4	N  4	P  8	R  16
S  25	T  150	U  12	V  4	W  10

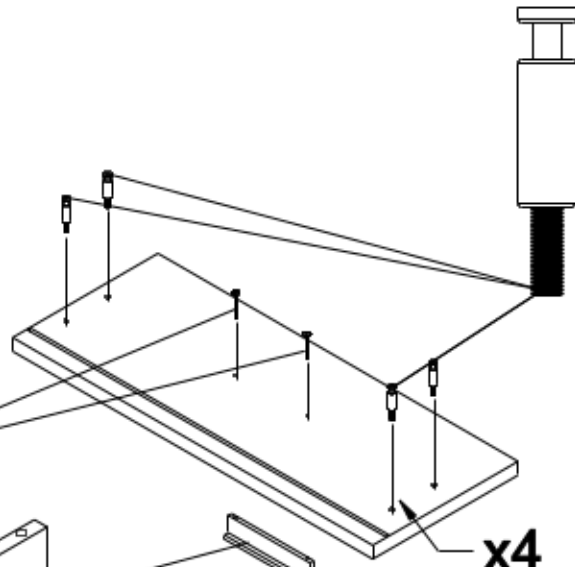
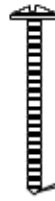
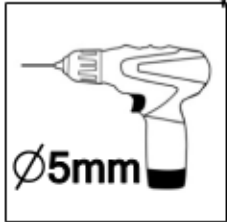
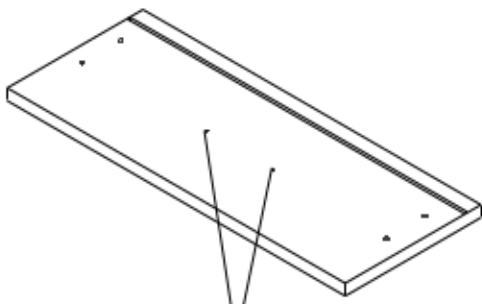
-1-	488x196	3/4
-2-	488x196	3/4
-3-	488x196	3/4
-4-	488x196	3/4
-5-	4x 1662x448	3/4
-6-	2000x580	1/4
-7-	2000x580	1/4
-8-	2x 1350x556	1/4
-9-	3x 556x294	1/4
-10-	2x 556x294	1/4
-11-	1968x575	2/4
-12-	1968x556	2/4
-13-	1968x556	2/4
-14-	1968x575	2/4
-15-	2x 1968x100	2/4
-16-	1580x495	1/4
-17-	1989x322	1/4
-18-	4x 452x406	1/4
-19-	4x 400x140	2/4
-20-	4x 400x140	2/4
-21-	4x 423x140	2/4
-22-	6x 540x478	1/4



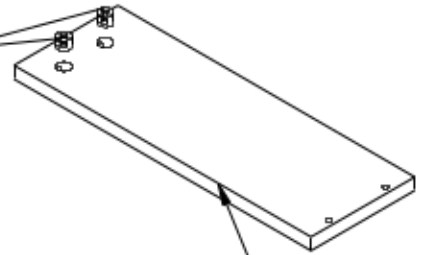
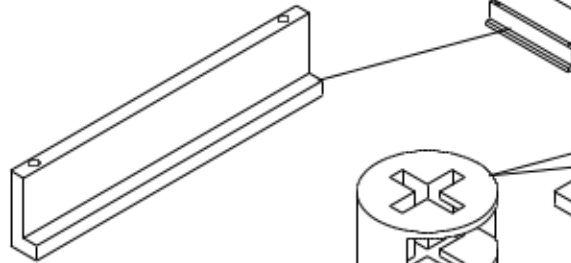




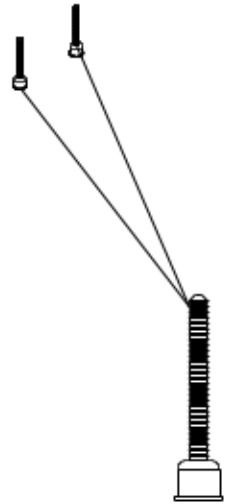
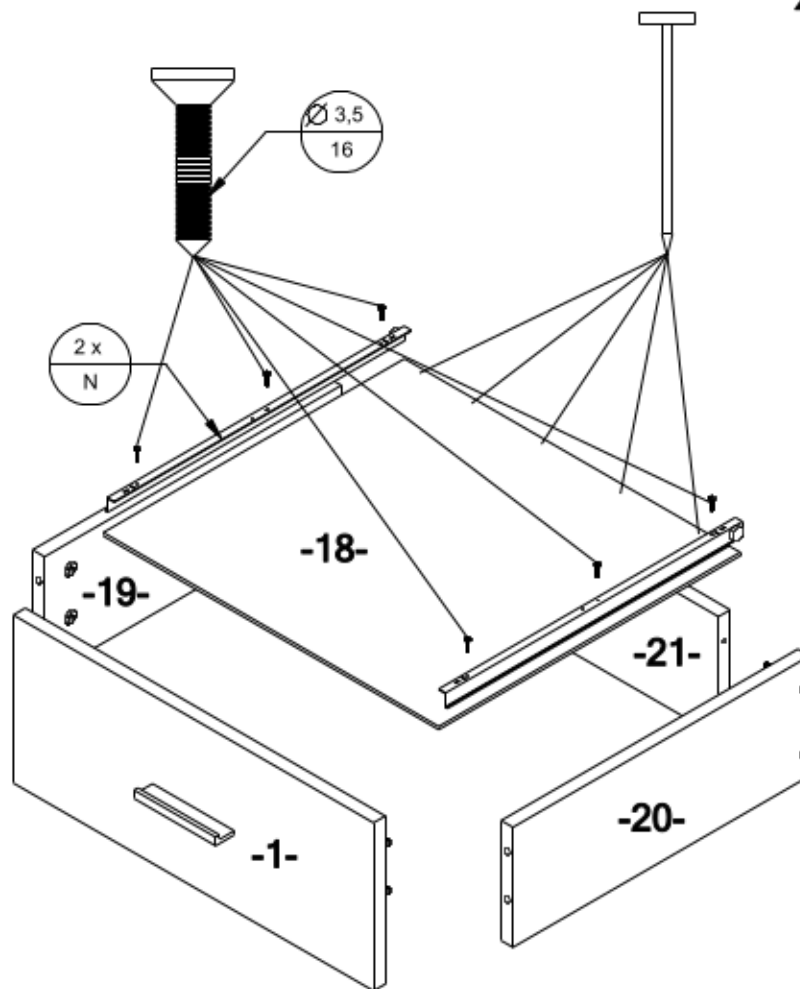


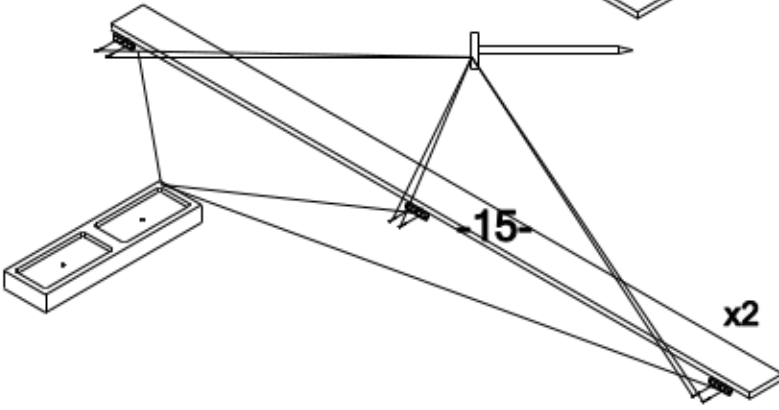
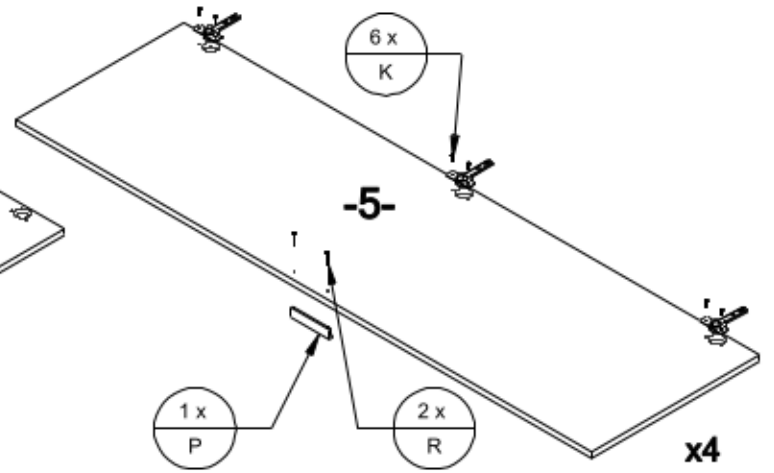
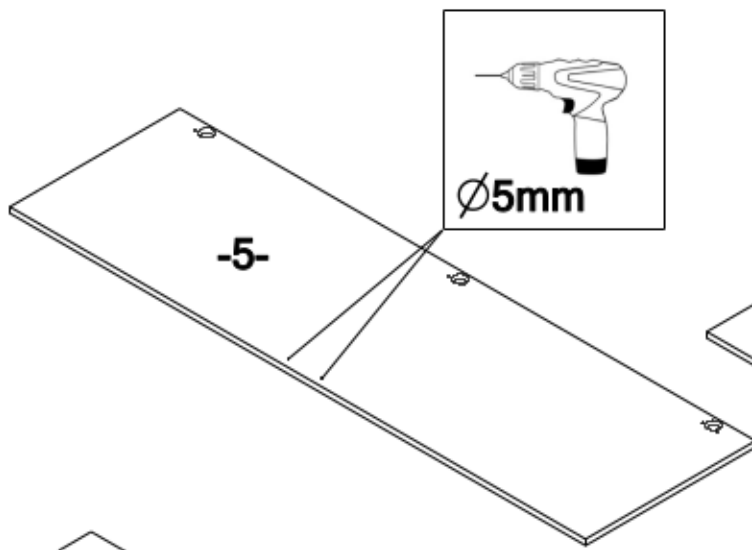


x4

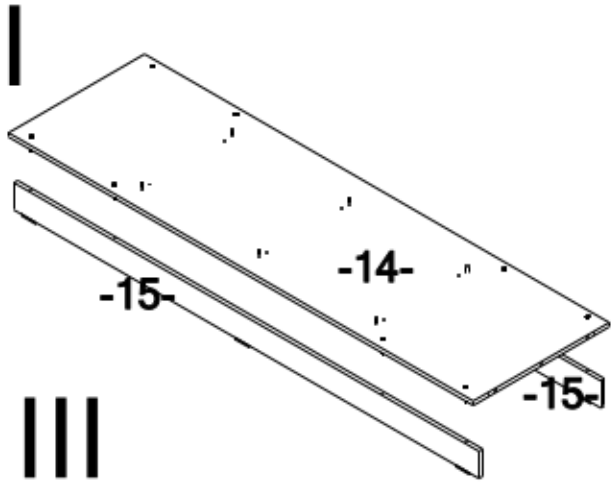
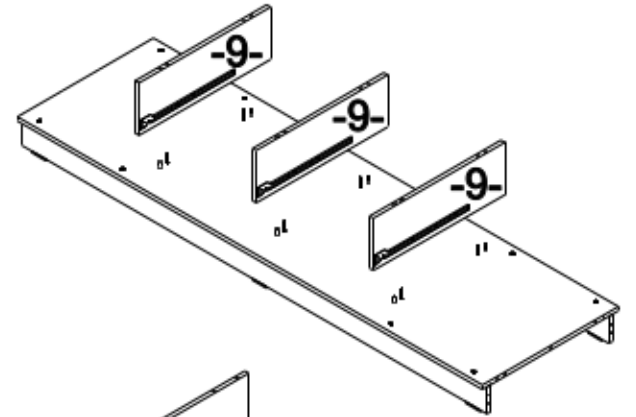


x8

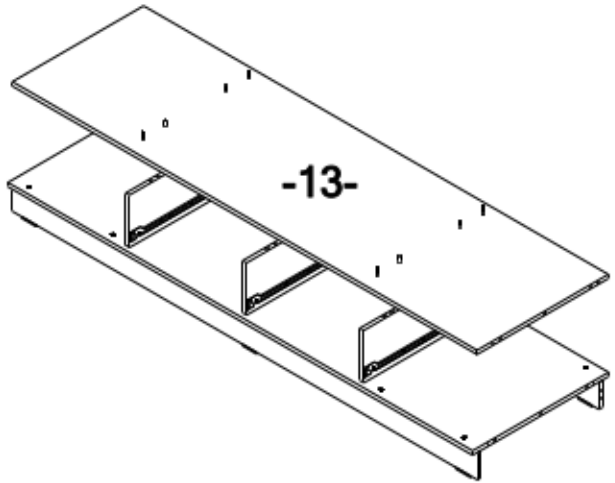




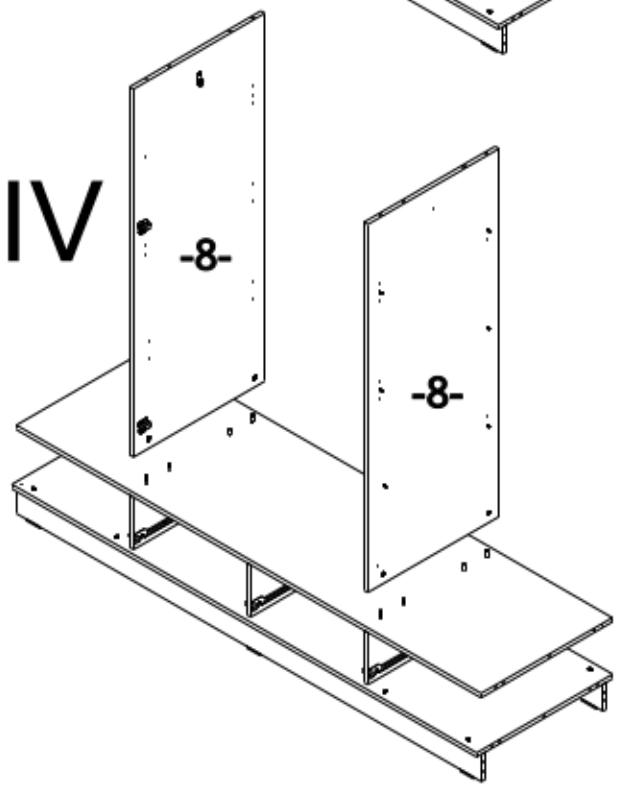
II

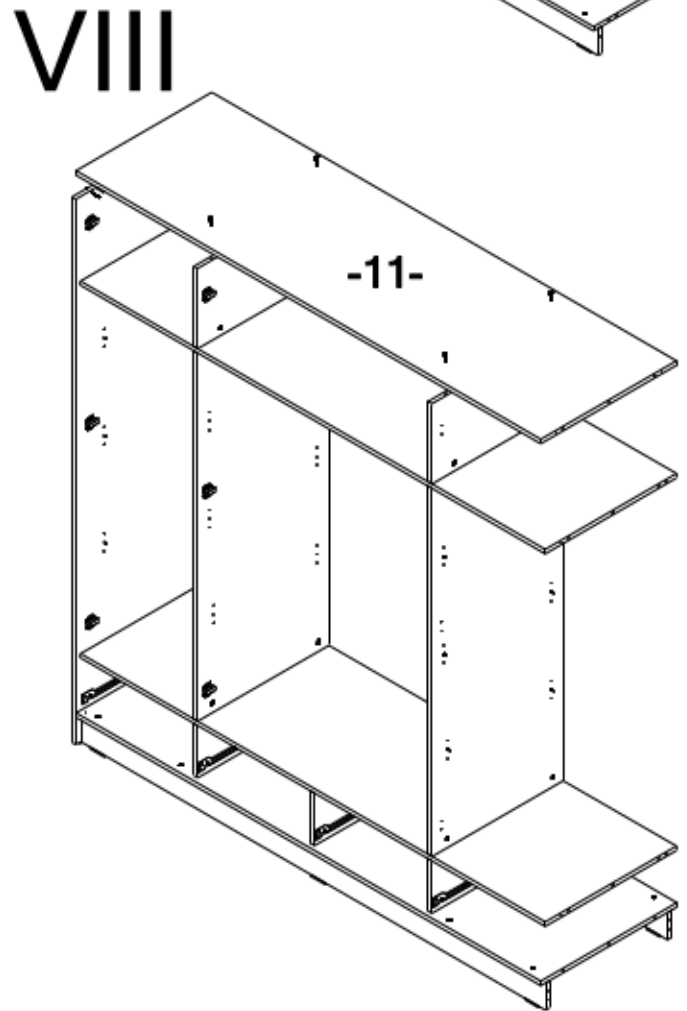
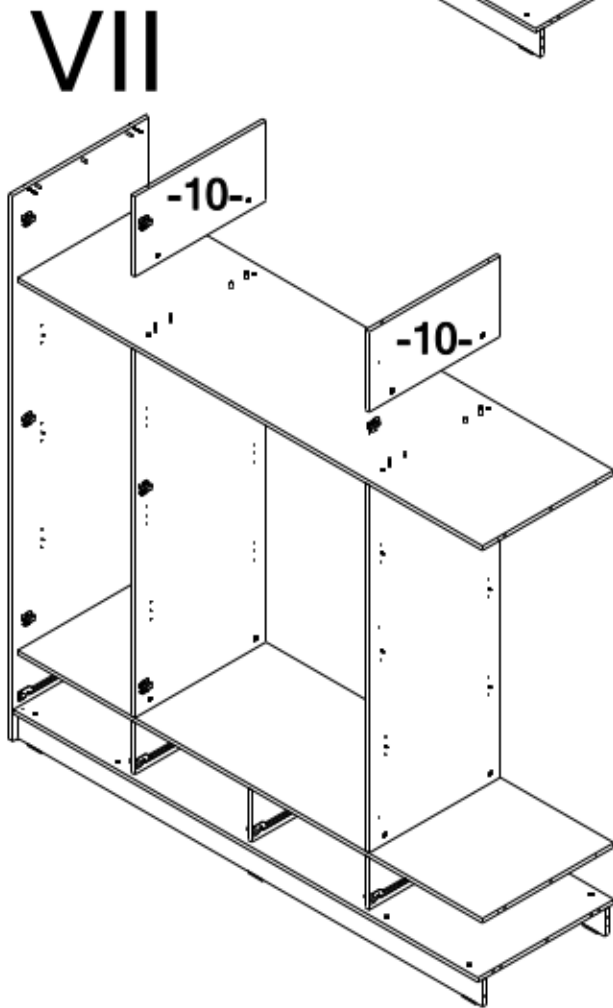
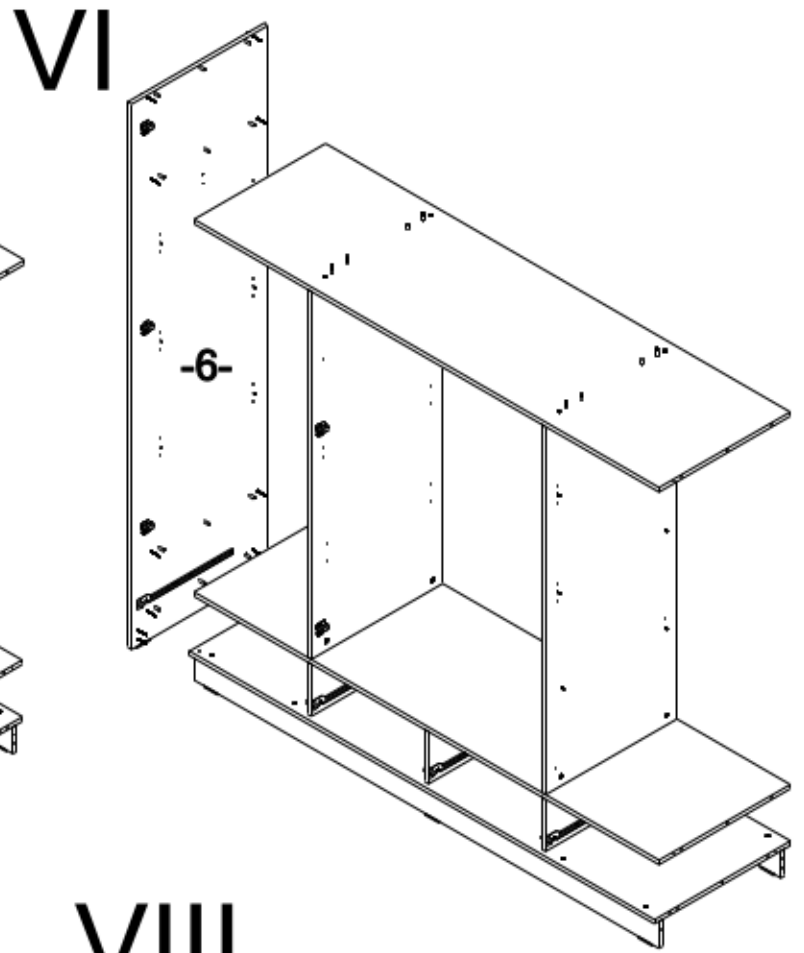
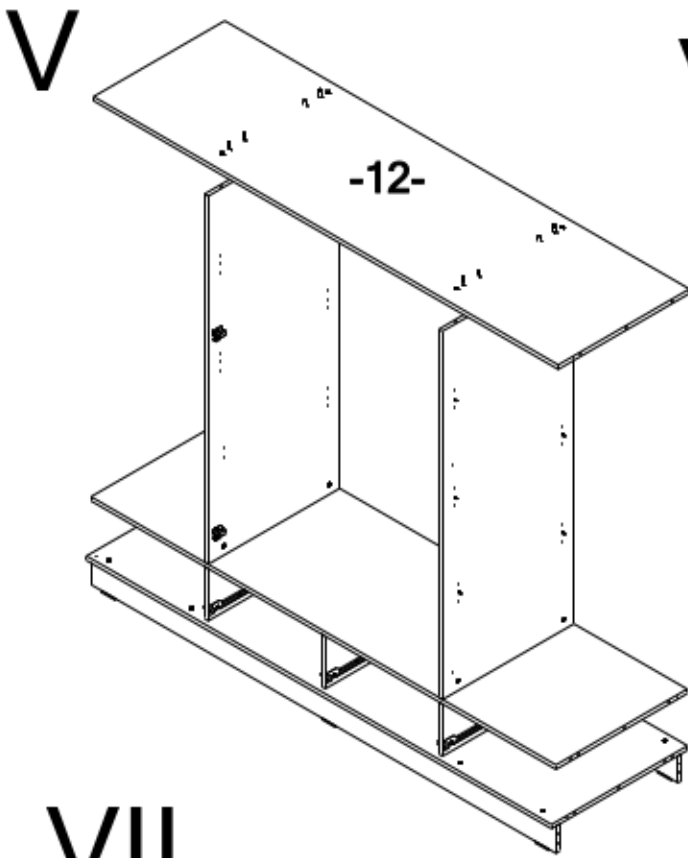


III



IV







# IX

# X

