

I7
ø18 x14

K5
x14

K1
x14

S2
x11

S9
x4

P6
x4

N13
M4x22 x5

W1
GLUE, LEIM, LEPIDLO, LIM x3

D4
PZ350D x6

C4
Z350D x6

E11
x5

G4
4x16 x24

G2
3x20 x50

F1
x13

H24
350mm x2

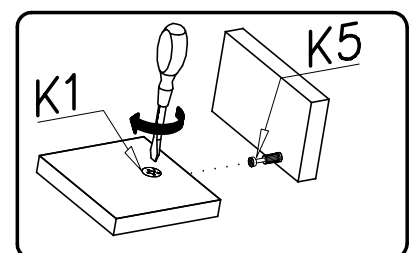
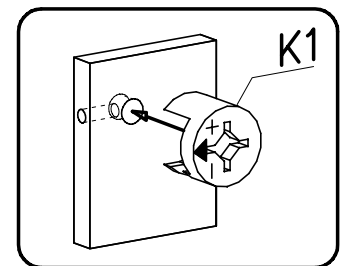
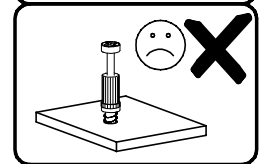
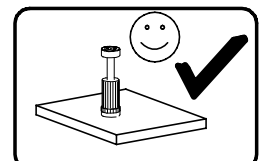
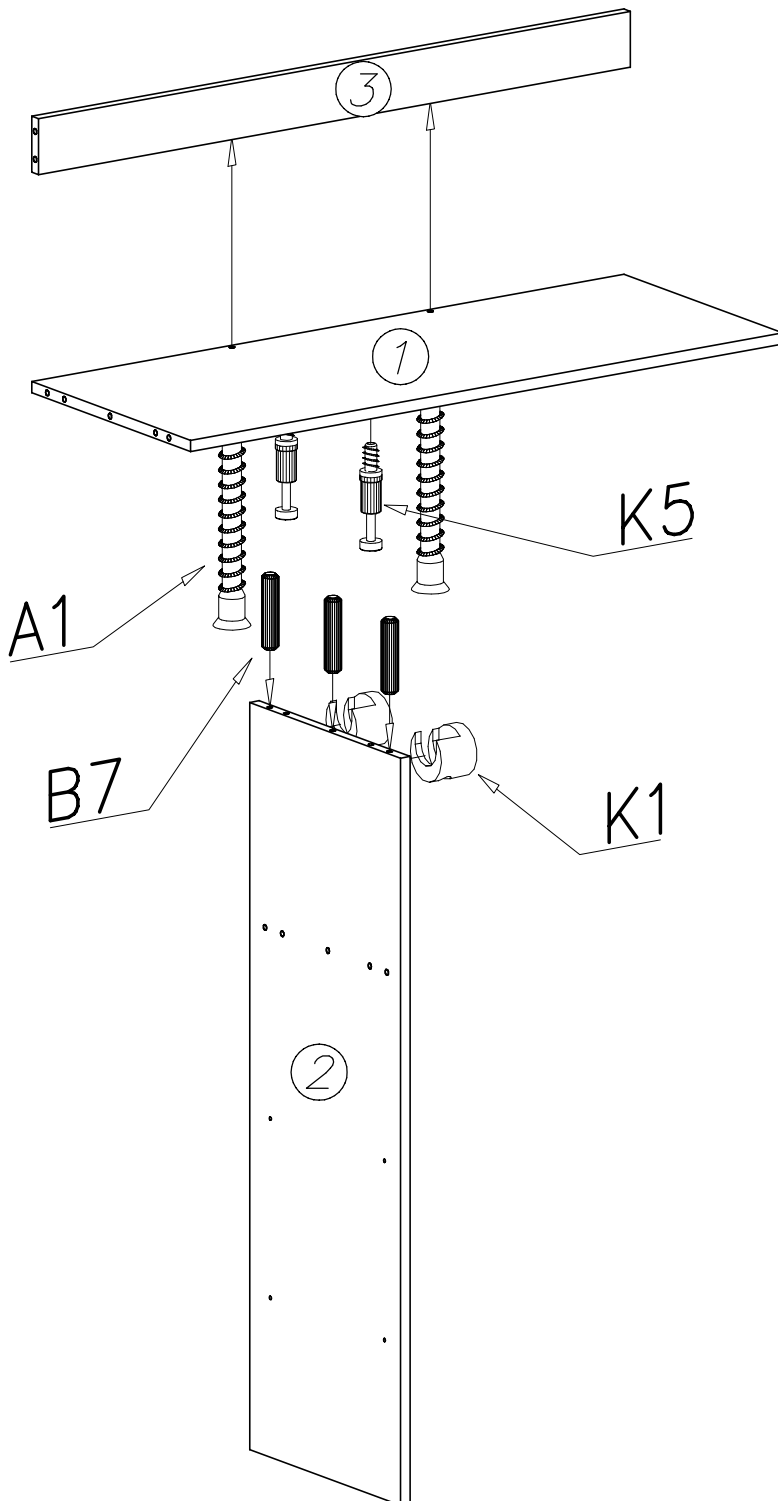
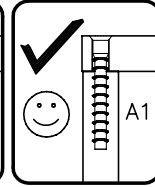
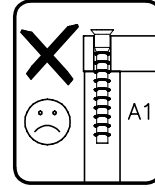
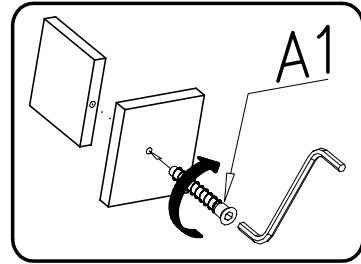
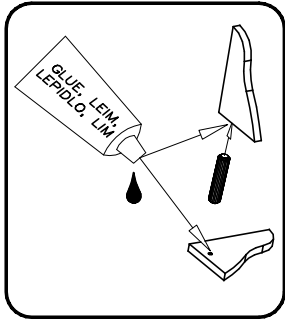
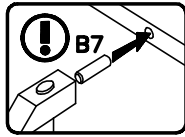
A1
ø7x50 x5

B7
ø8x30 x47

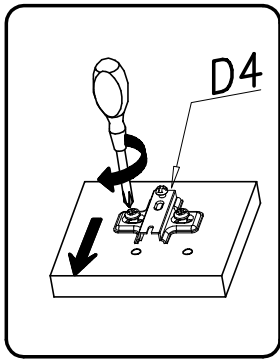
W2
x1

G1
4x13 x20

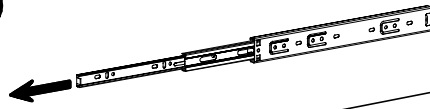
I



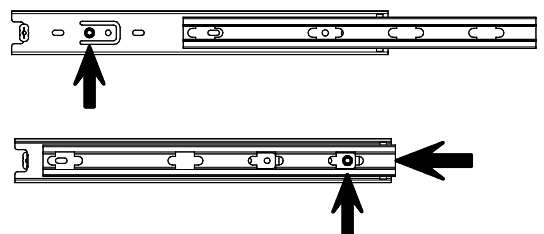
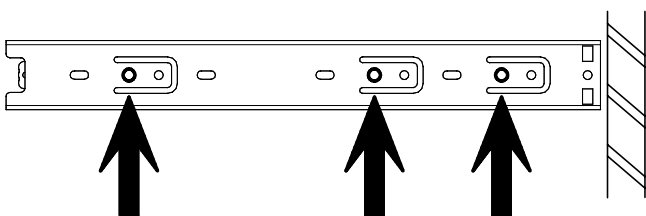
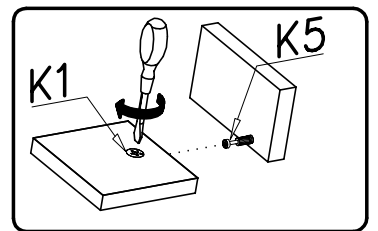
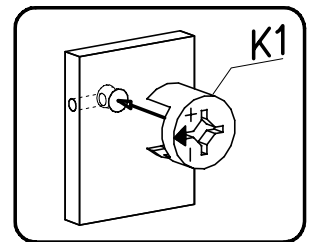
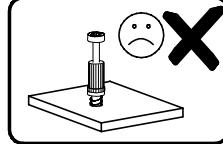
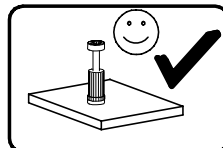
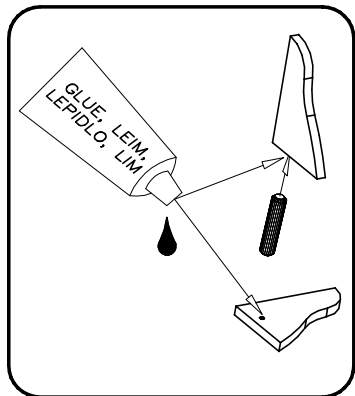
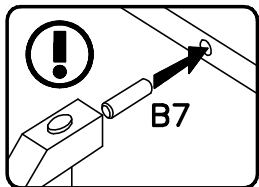
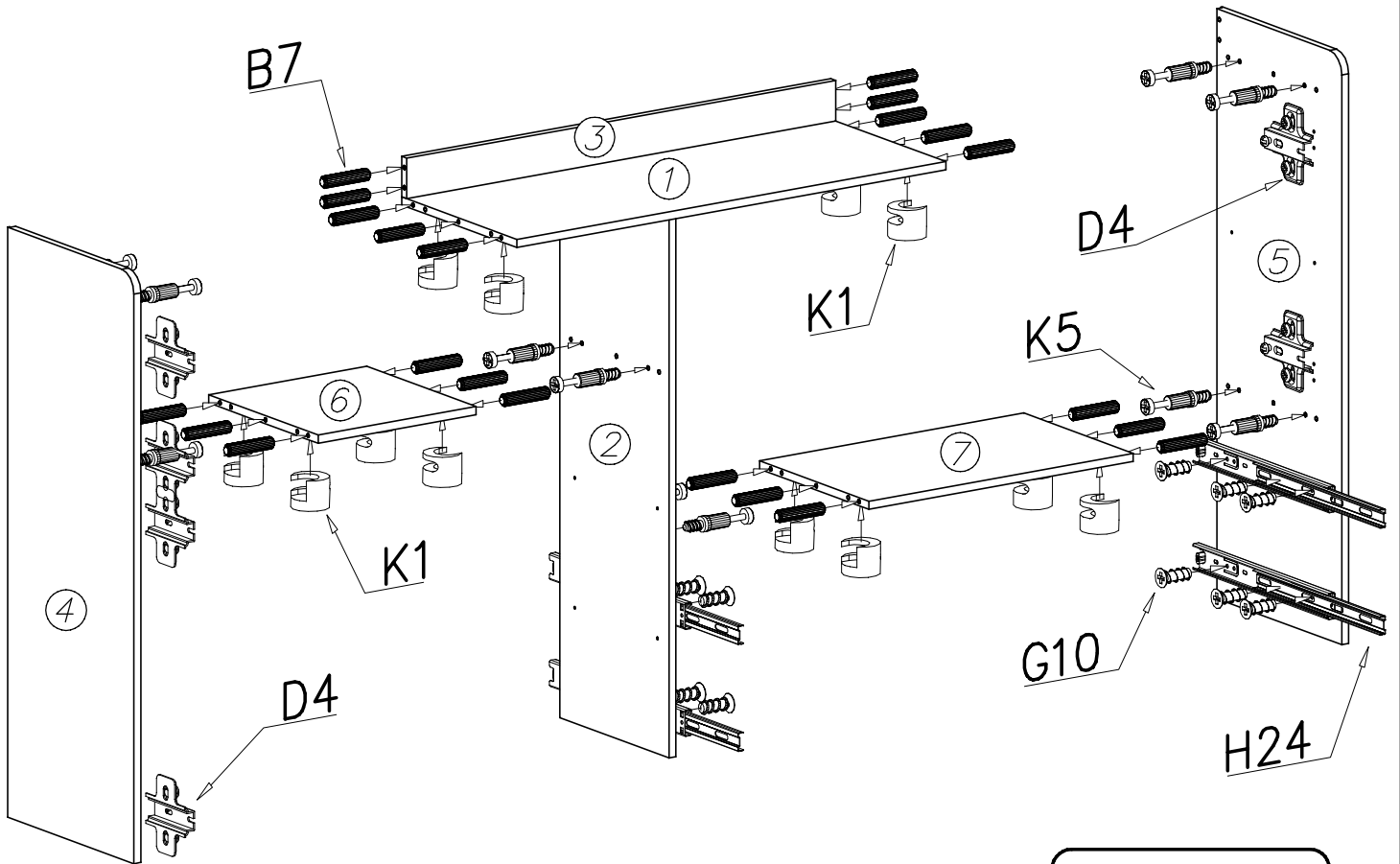
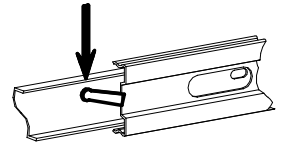
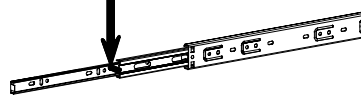
II

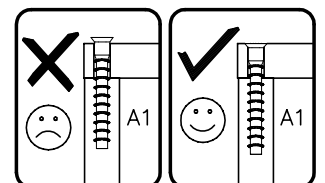
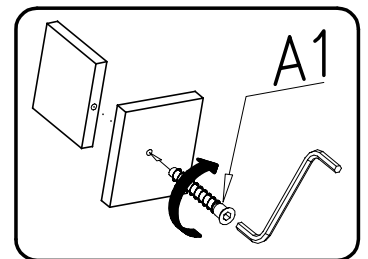
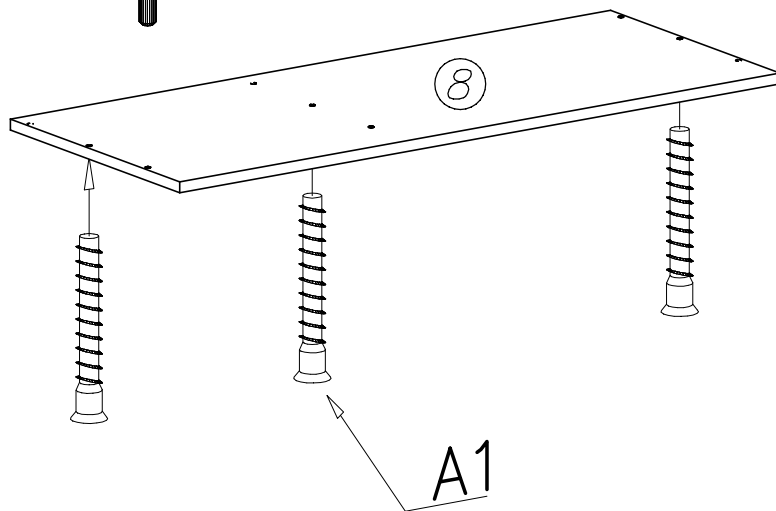
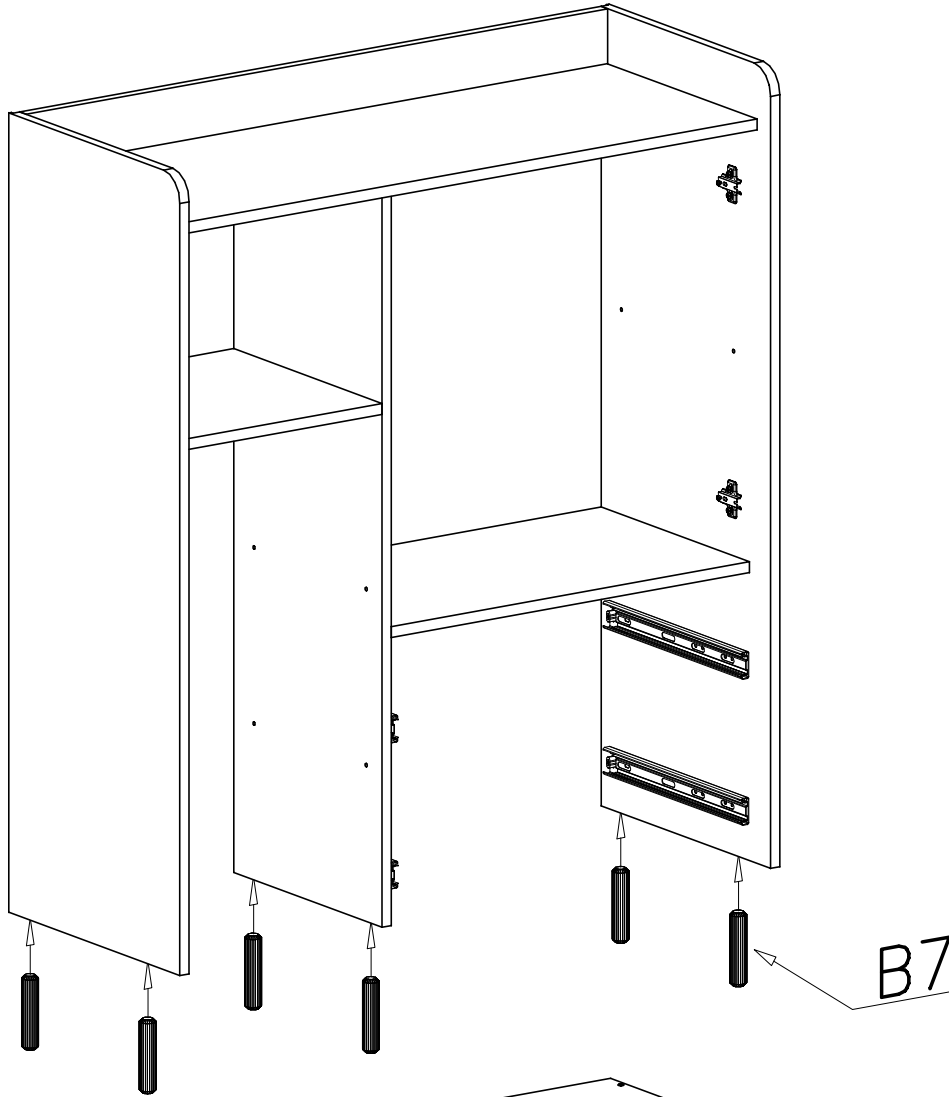
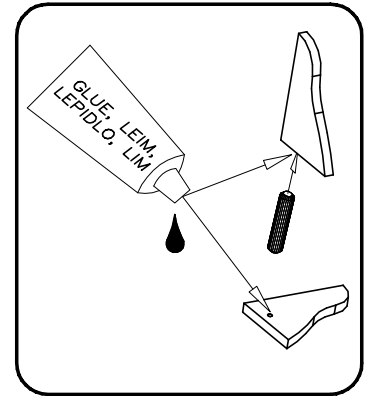
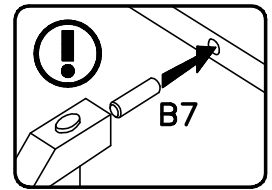


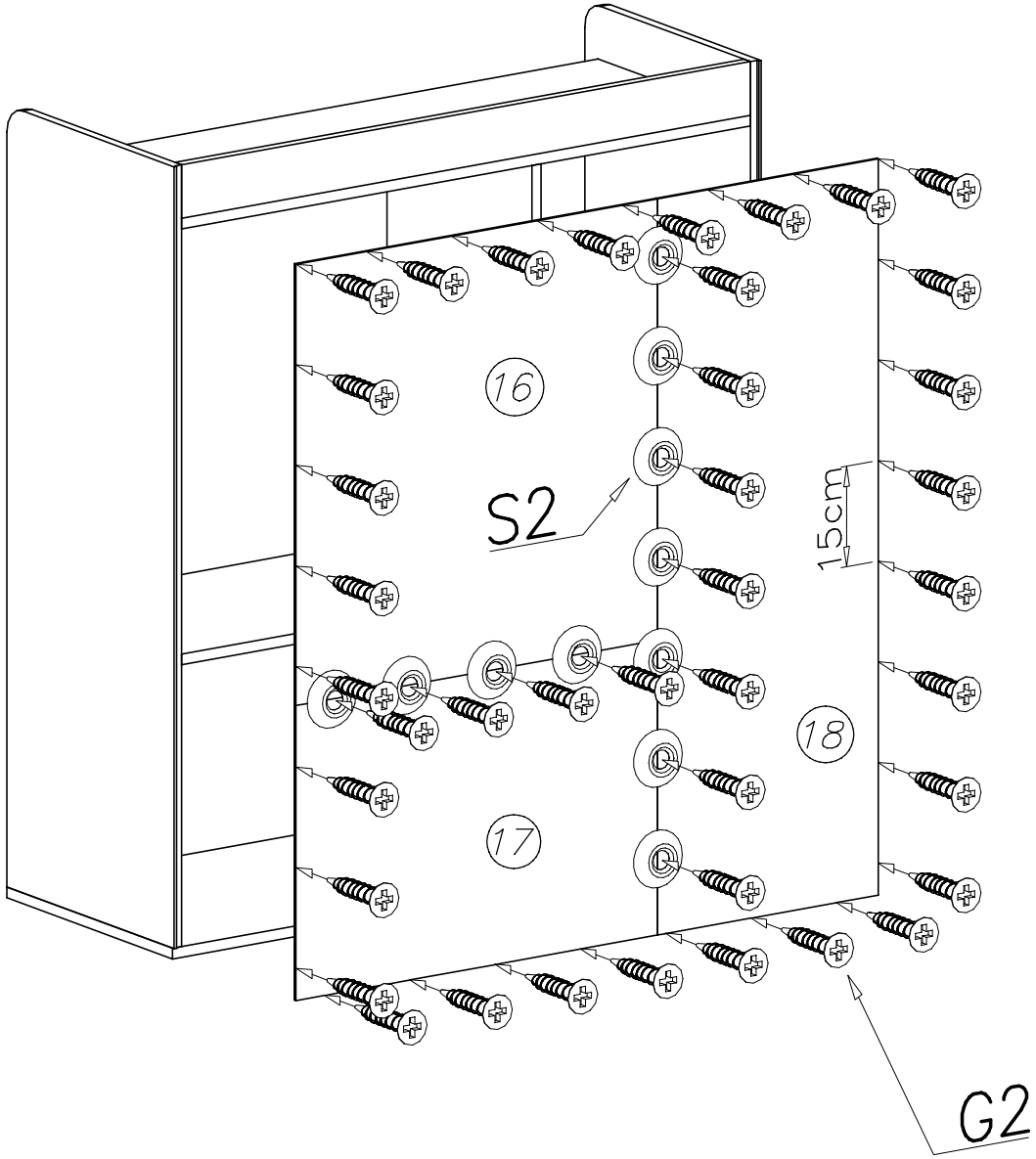
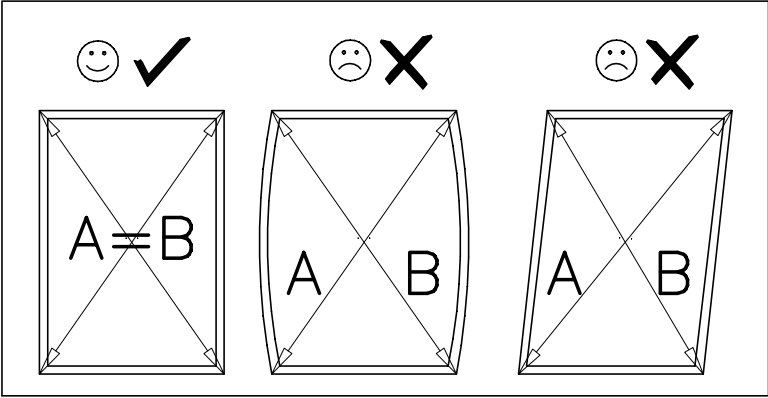
A



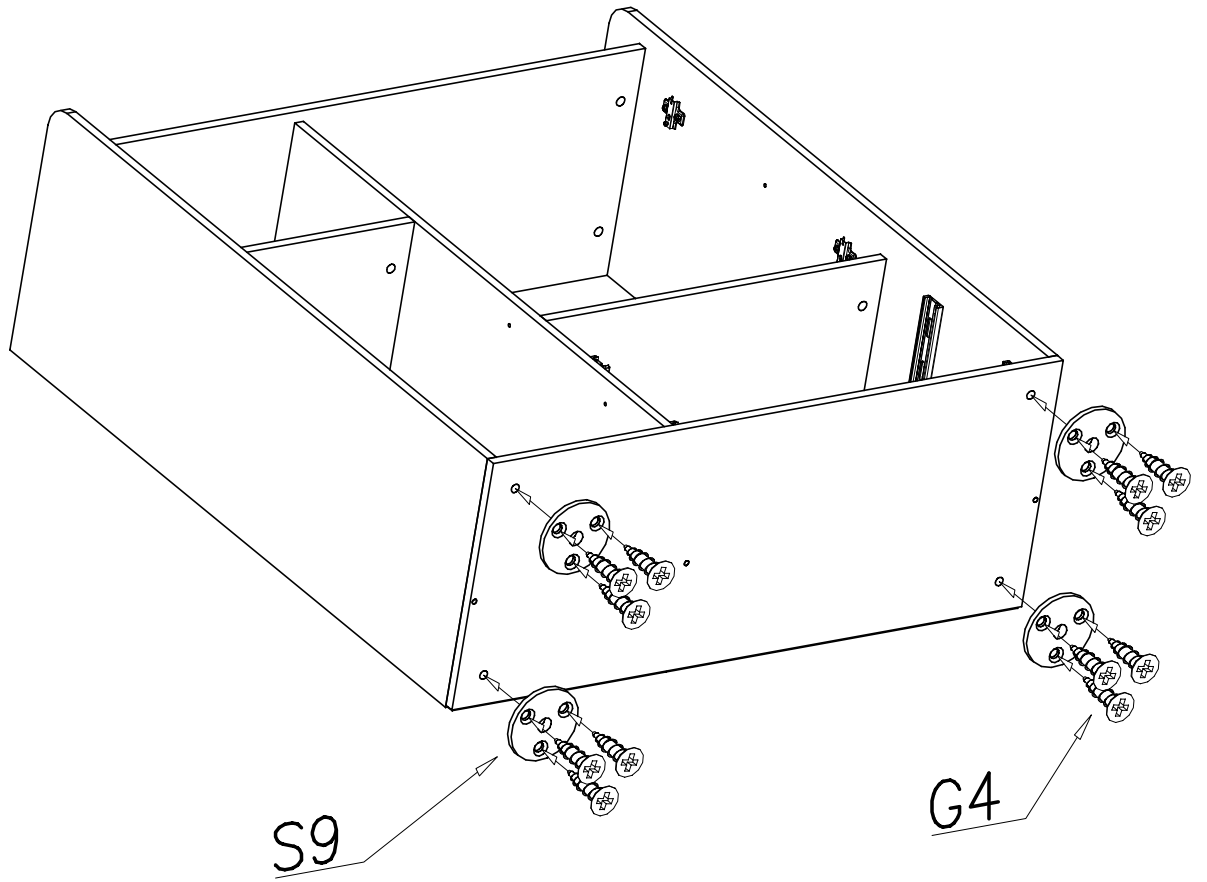
B



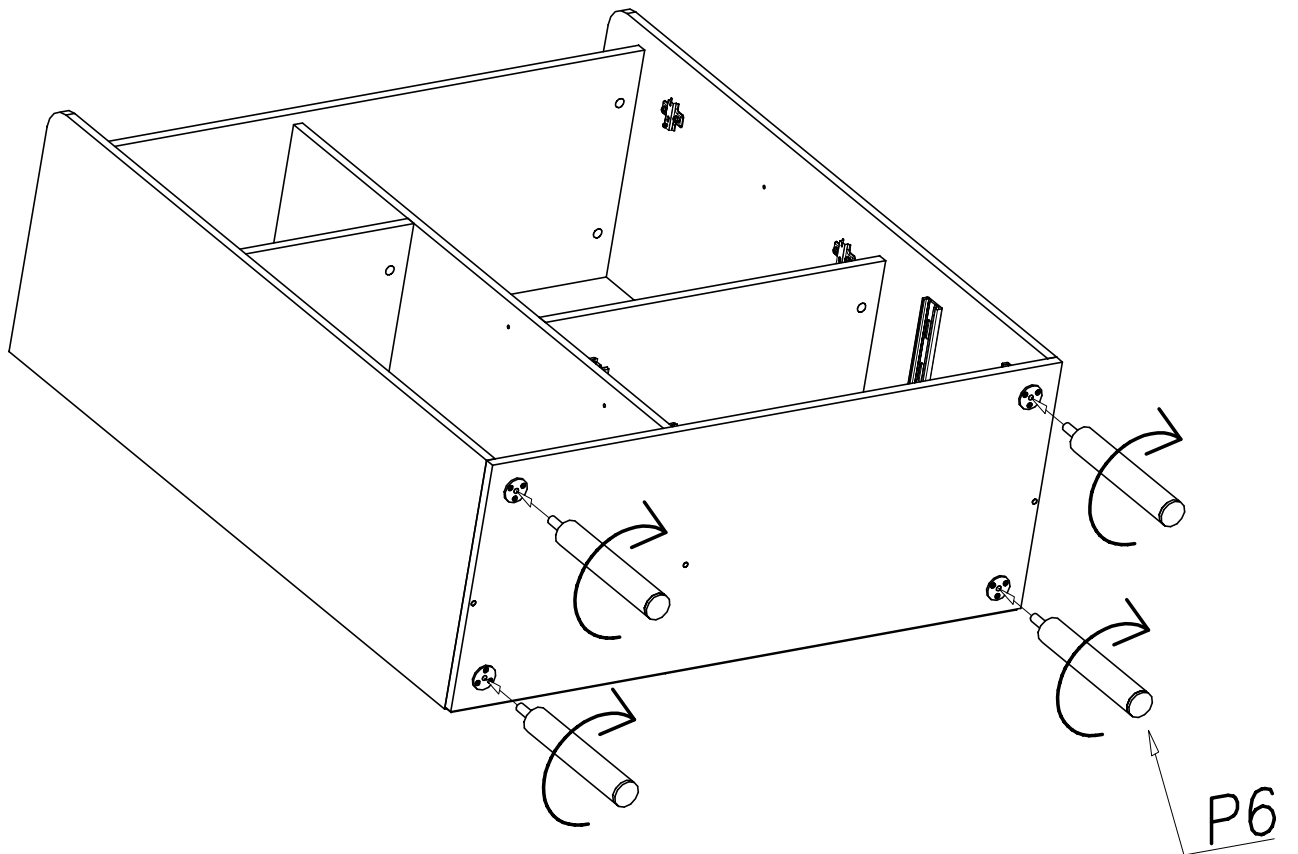




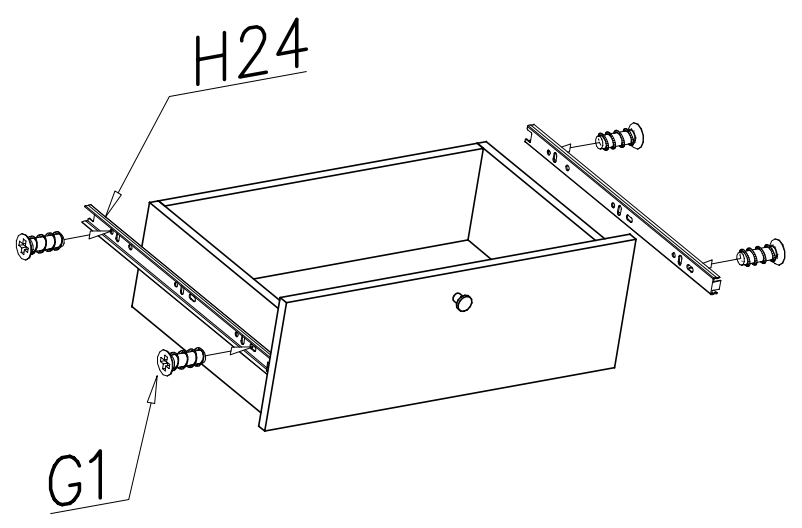
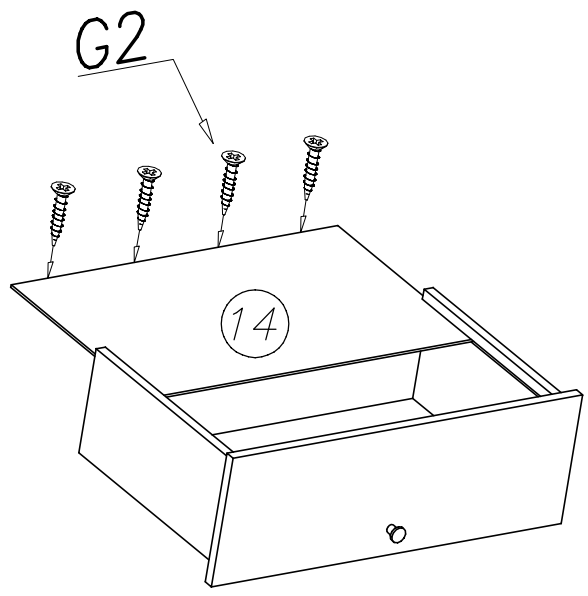
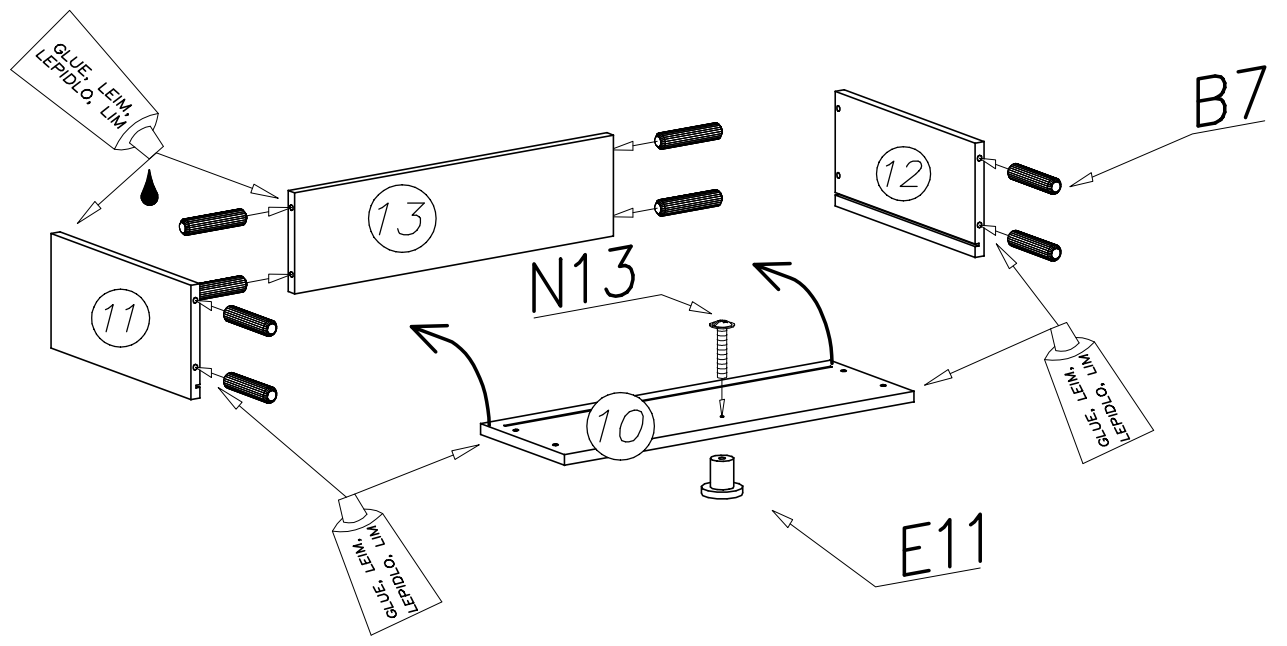
V

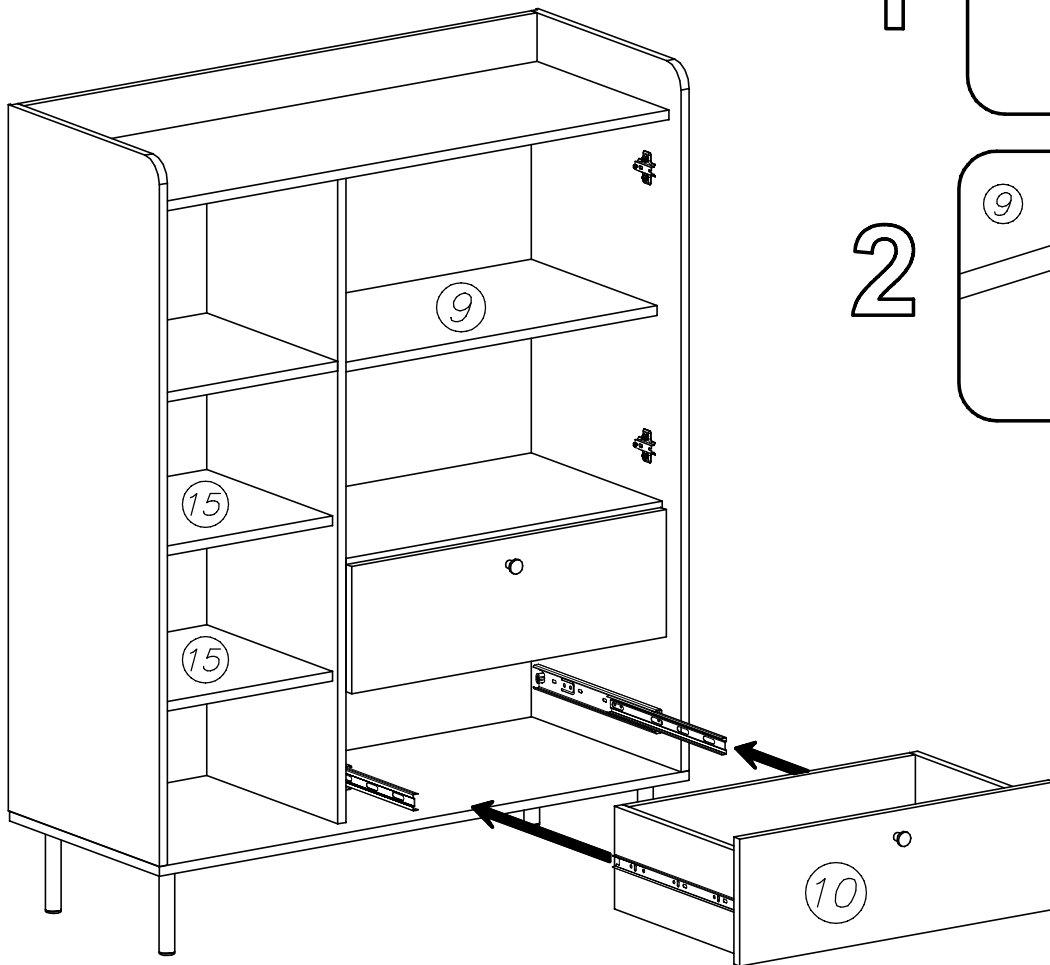


VI

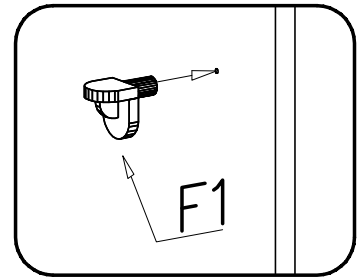


VII

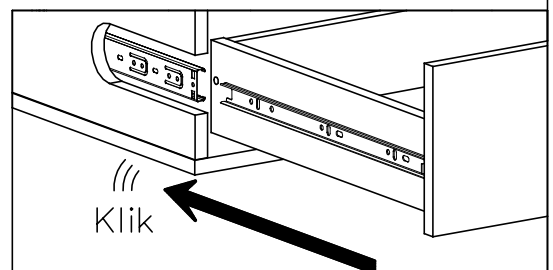
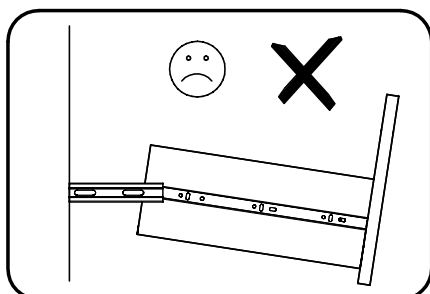
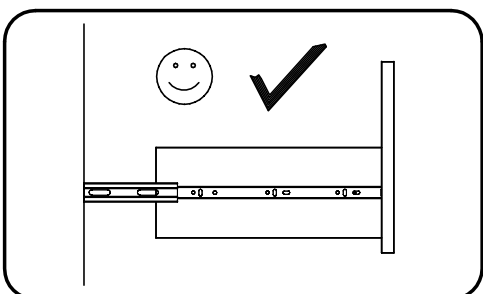
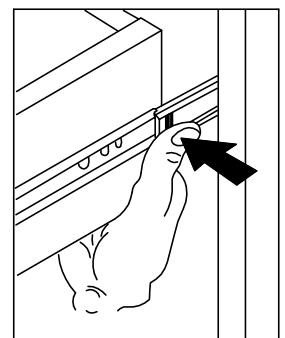
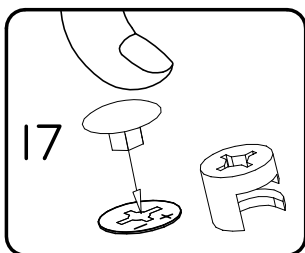
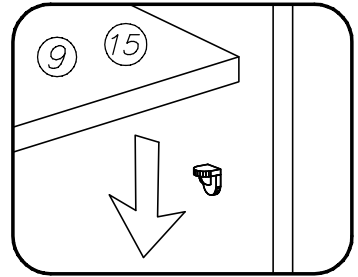




1



2



IX

