
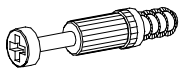




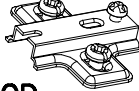
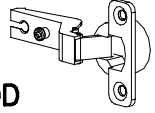


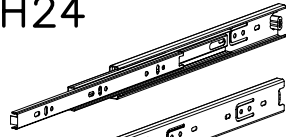
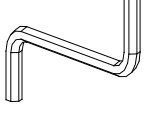

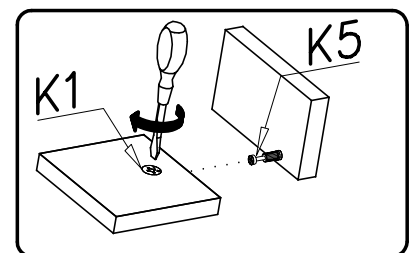
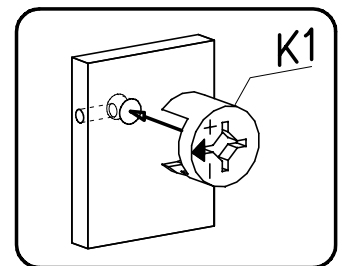
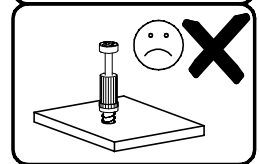
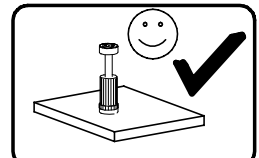
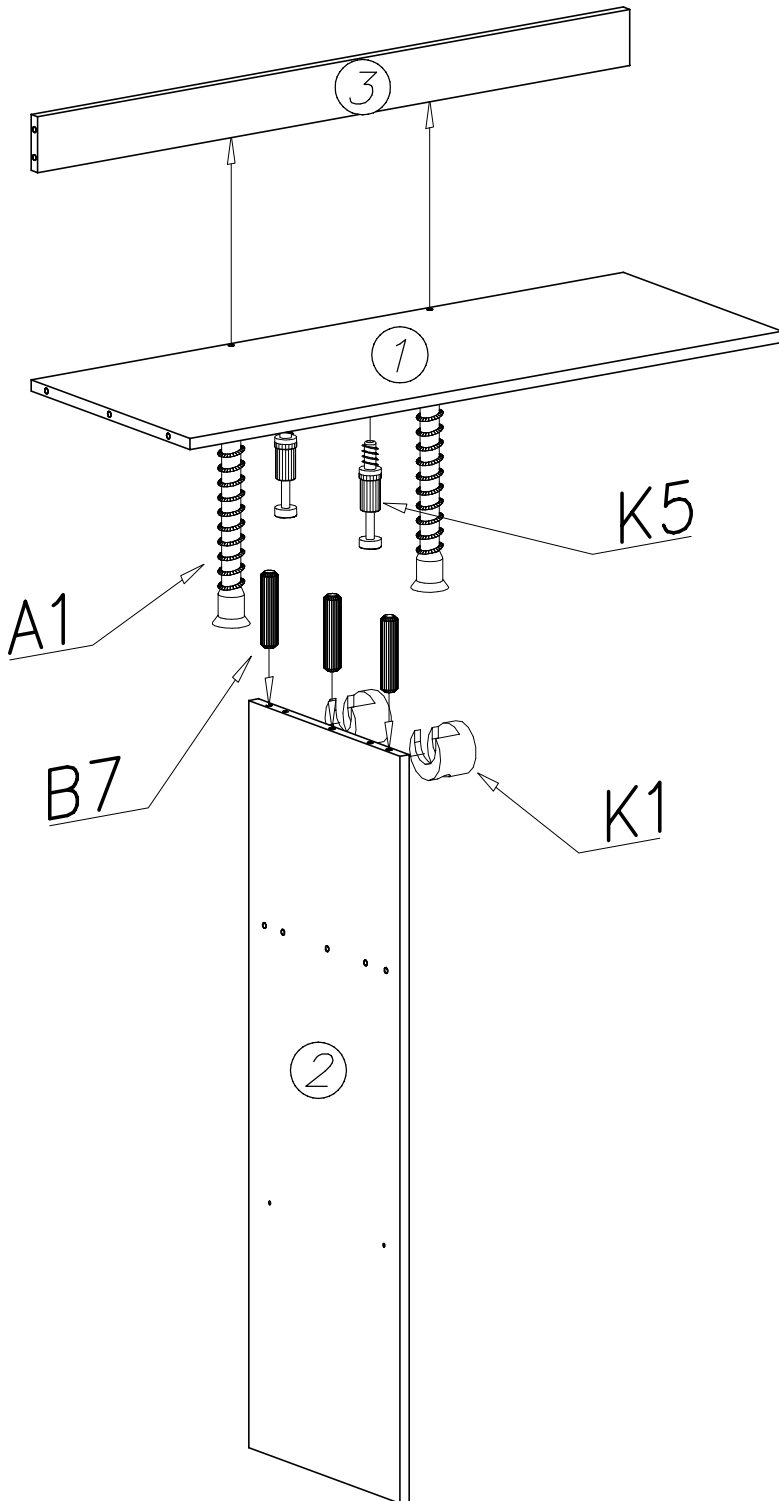
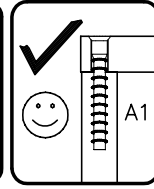
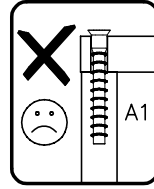
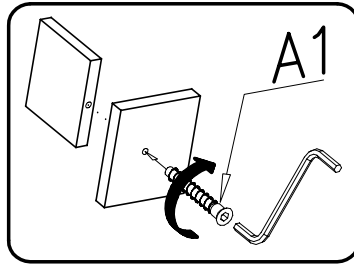
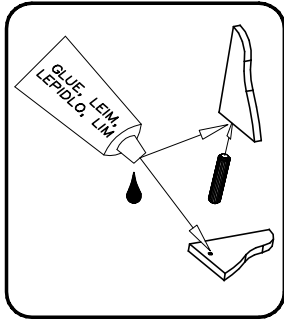
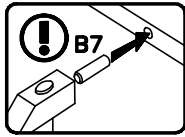
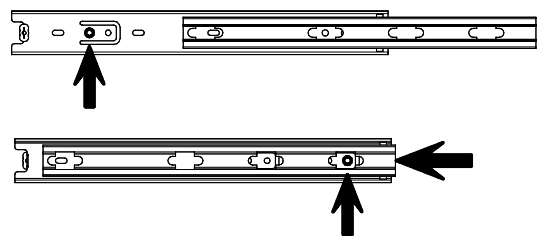
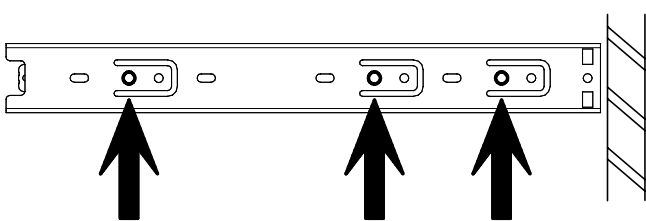
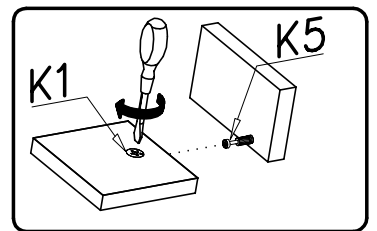
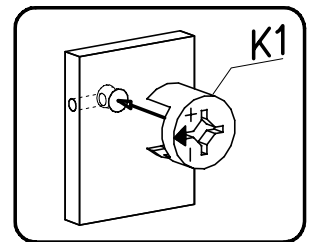
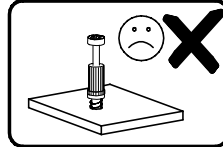
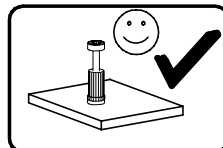
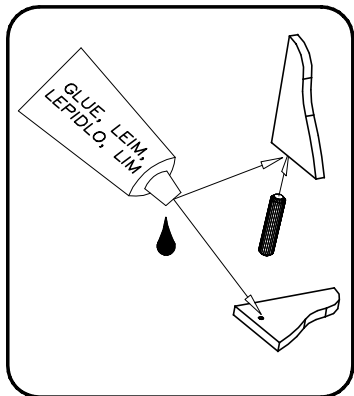
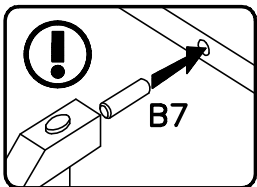
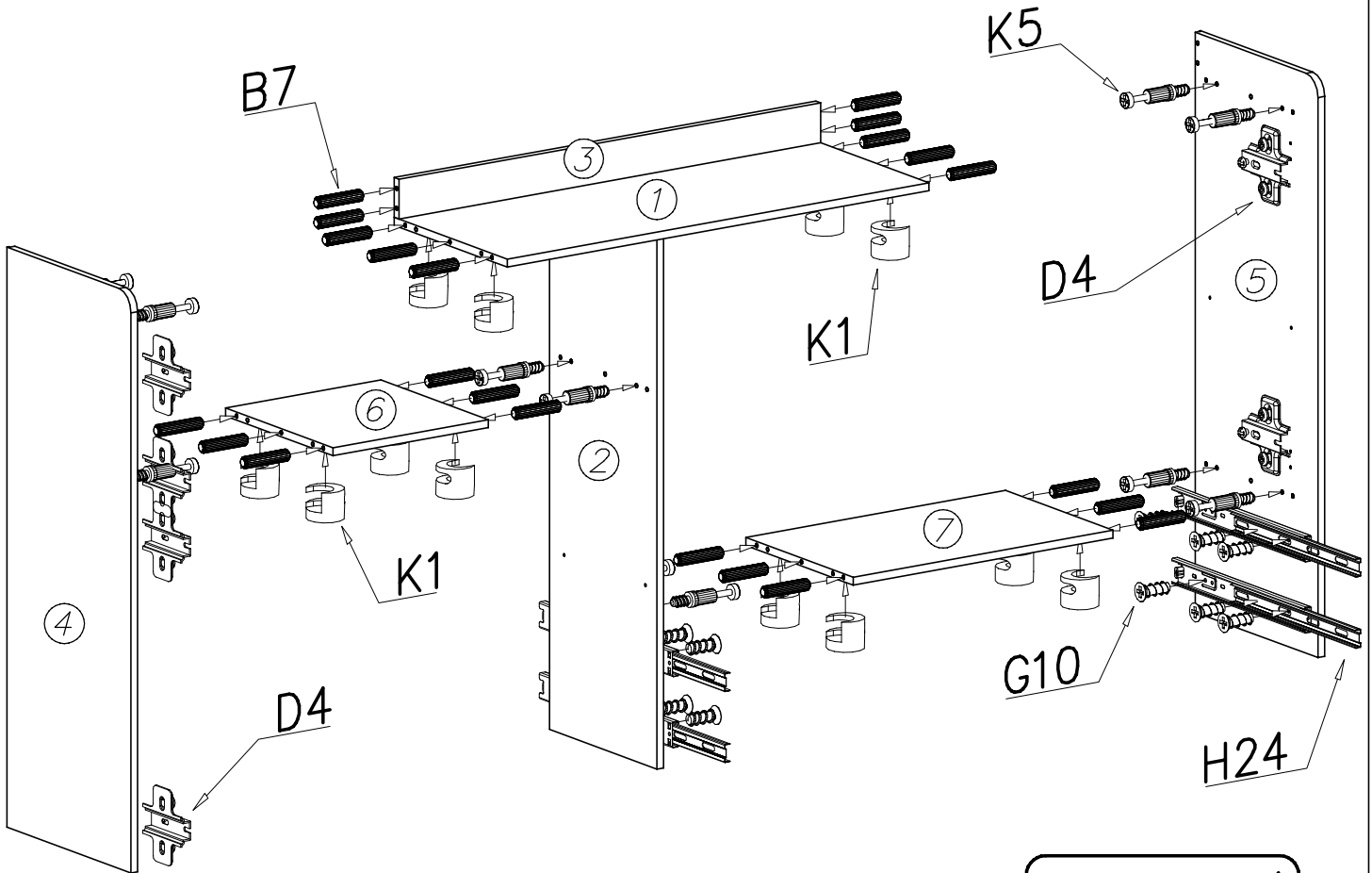
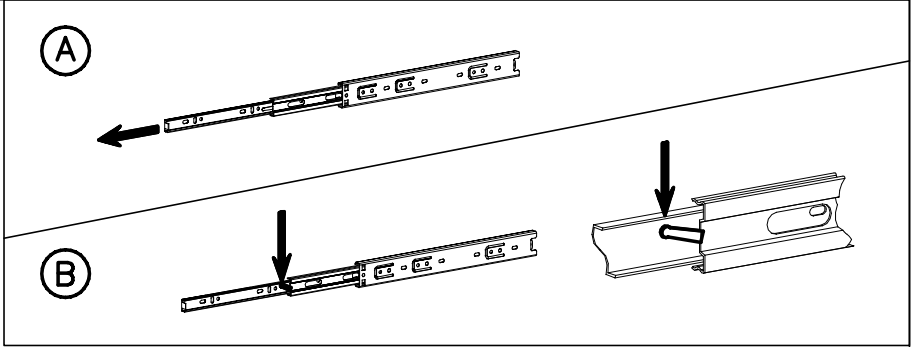
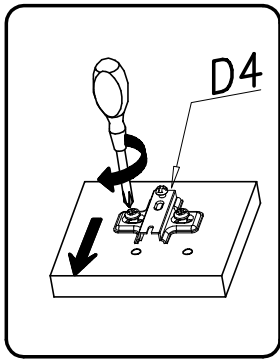


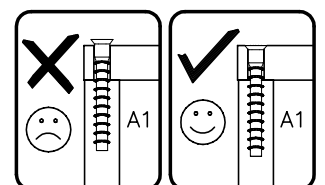
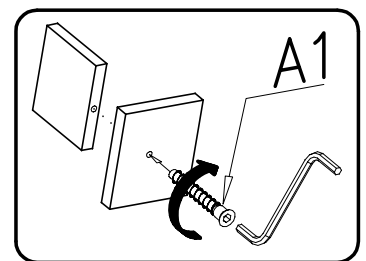
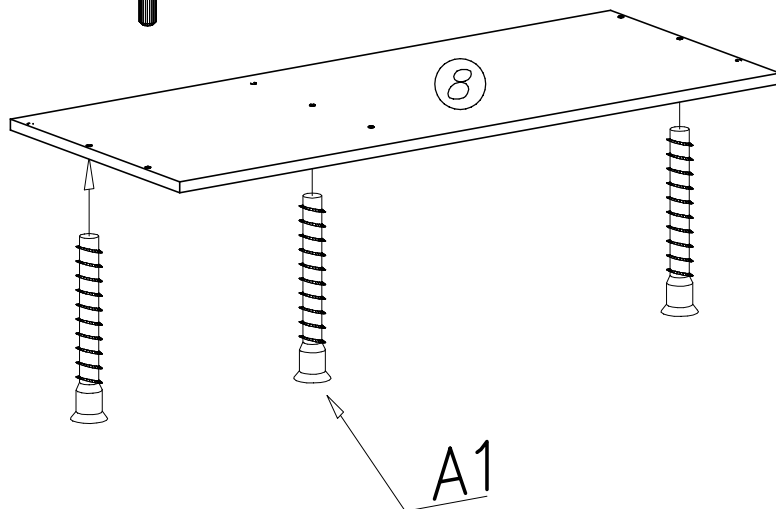
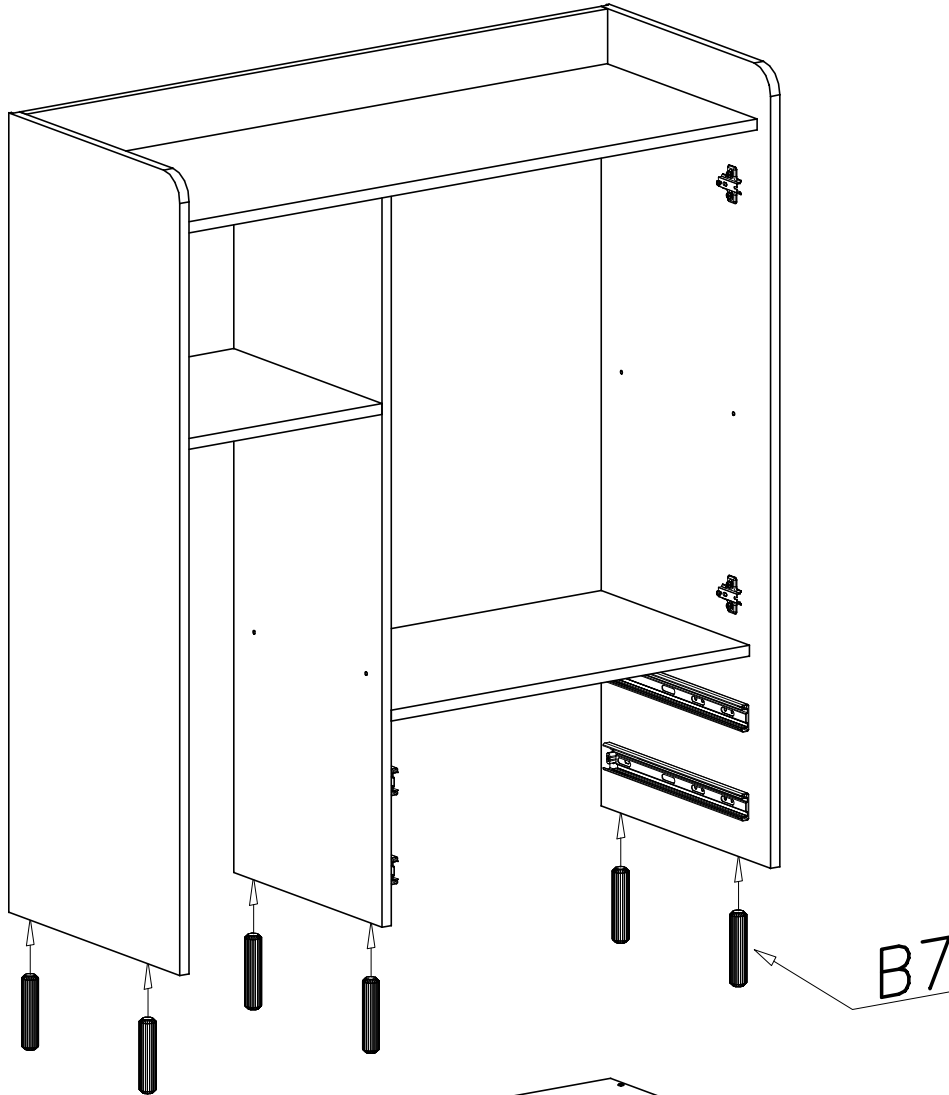
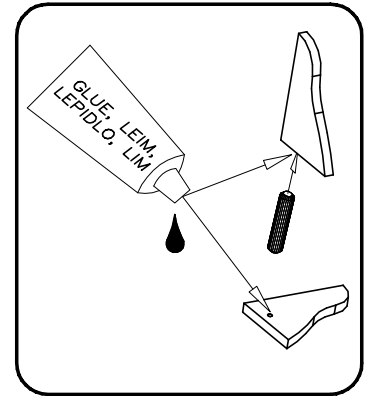
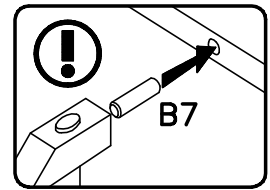
		I7 ø18 x14		K5 x14		K1 ø15x12 x14	
I3 x6	G11 4x20 x6	S2 x11		S9 x4		P6 x4	
N13 M4x22 x5	W1 GLUE, LEIM, LEPIDLO, LIM x3	D4 PZ350D x6		C4 Z350D x6			
E11 x5	G4 4x16 x24	G2 3x20 x50		F1 x9		H24 x2	
A1 ø7x50 x5	B7 ø8x30 x47	W2 x1		G1 4x13 x20			

I

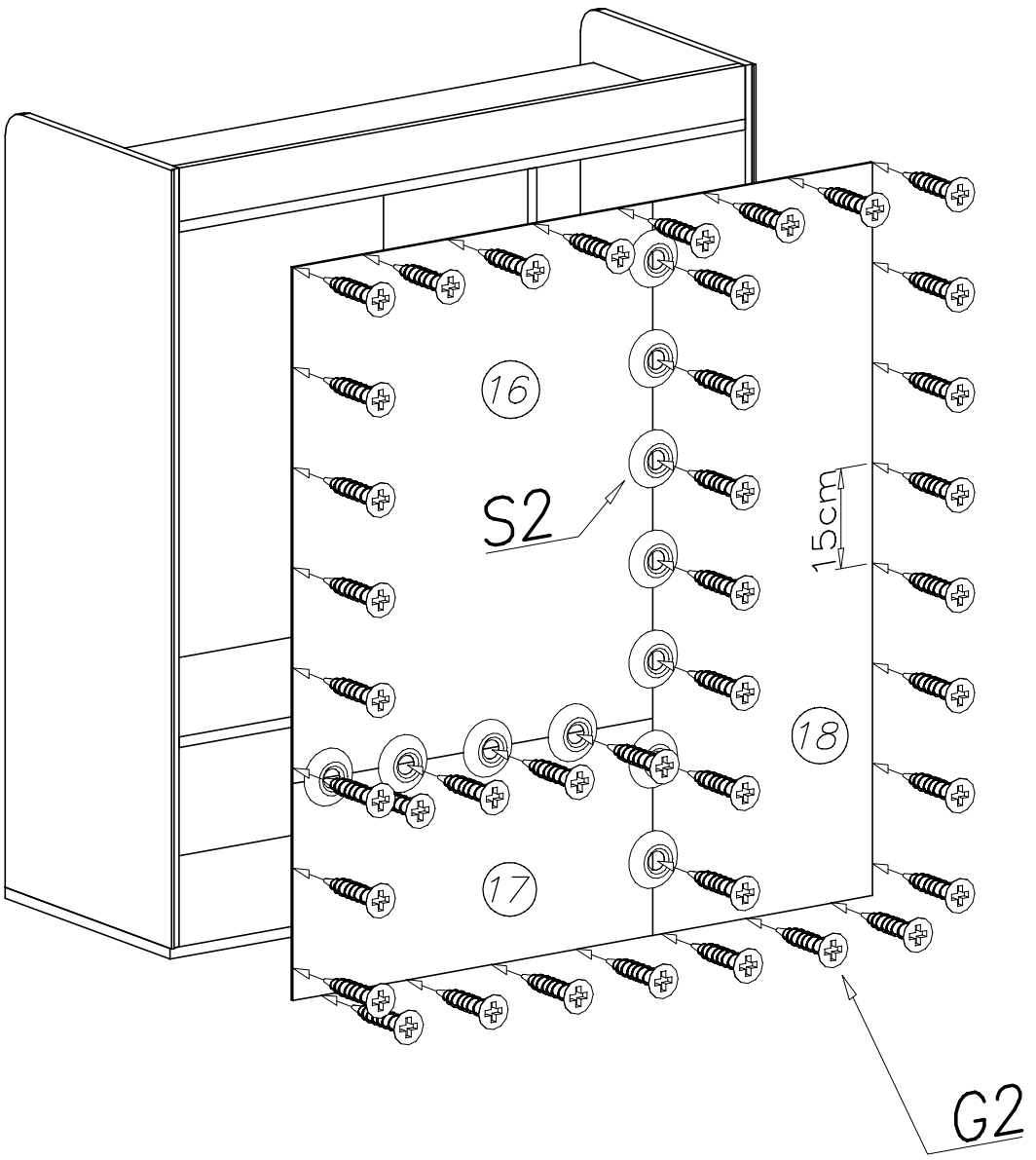
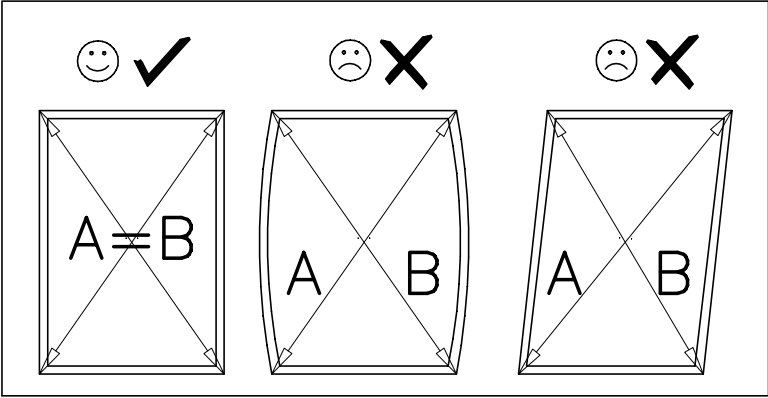


II

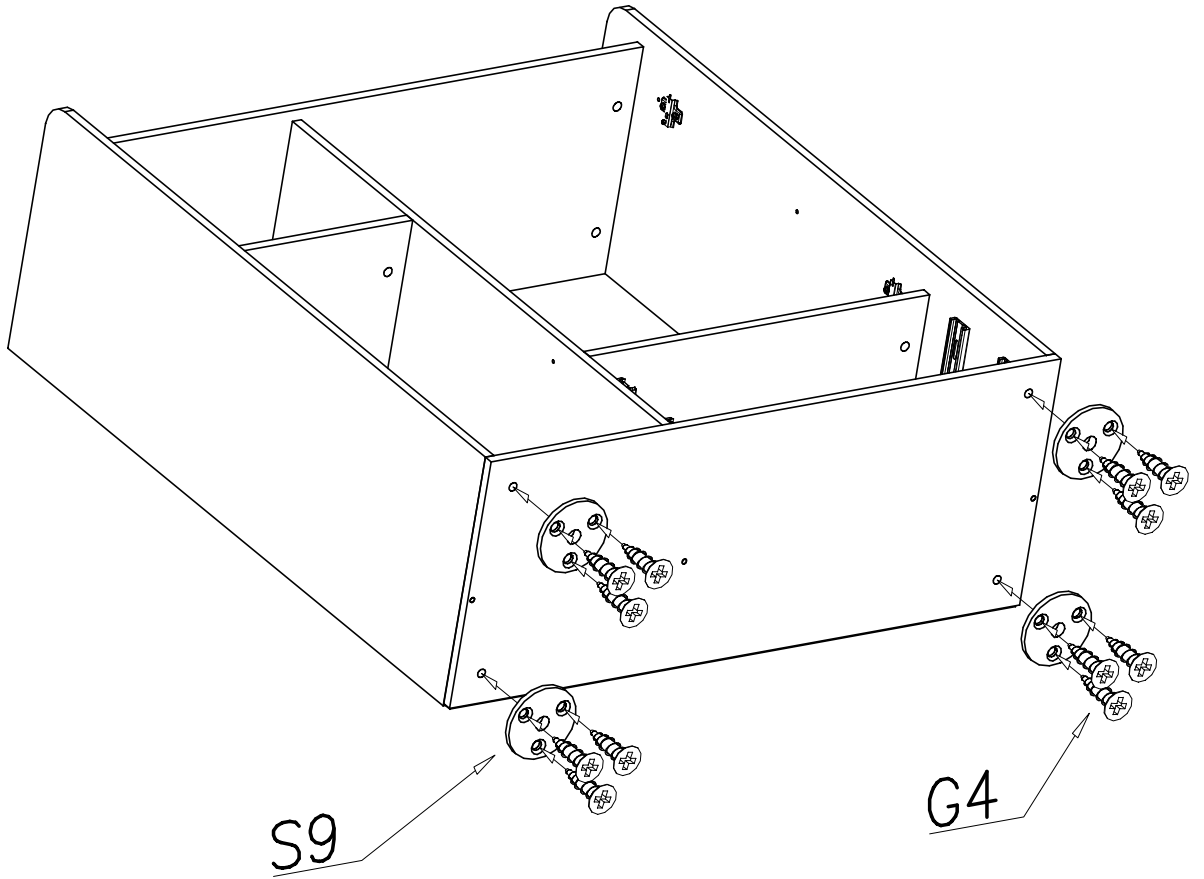




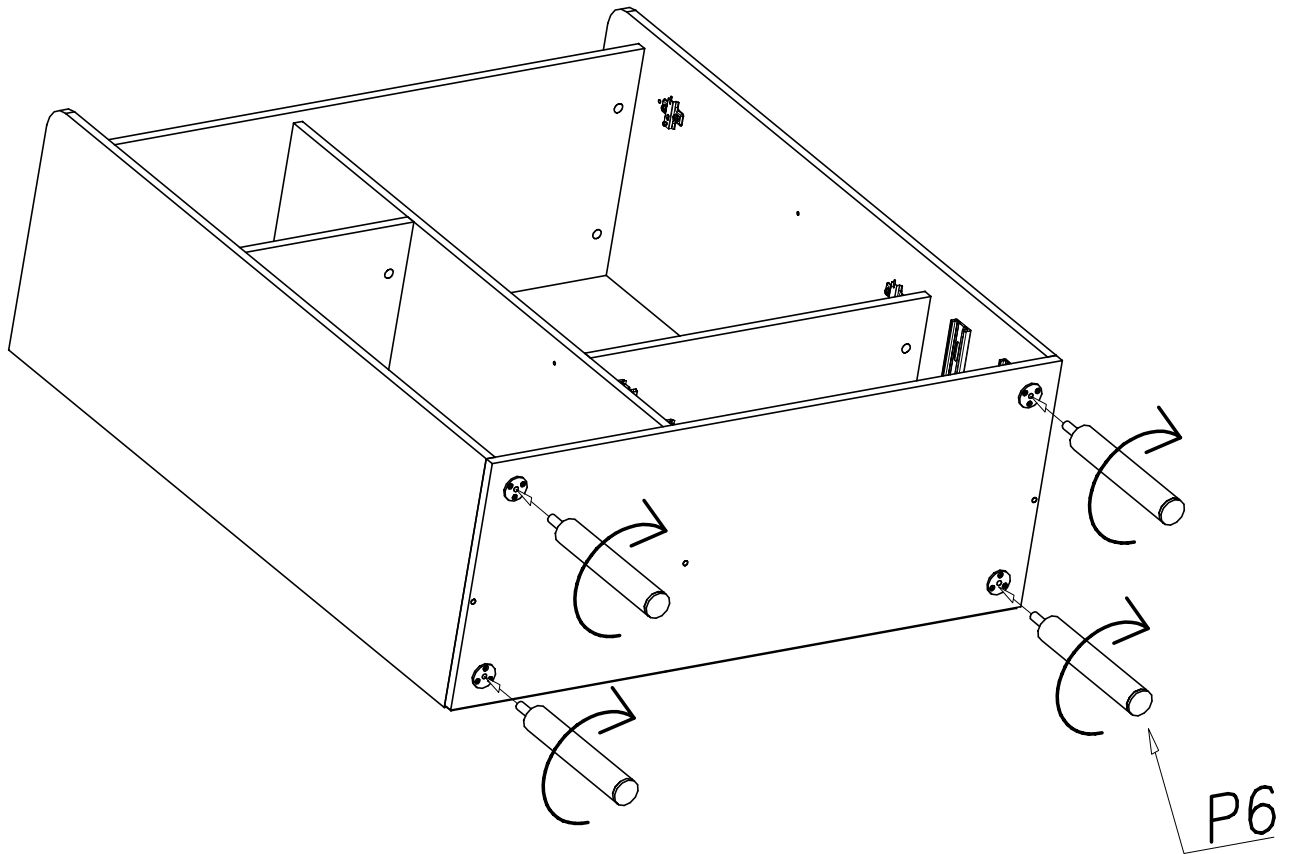
IV



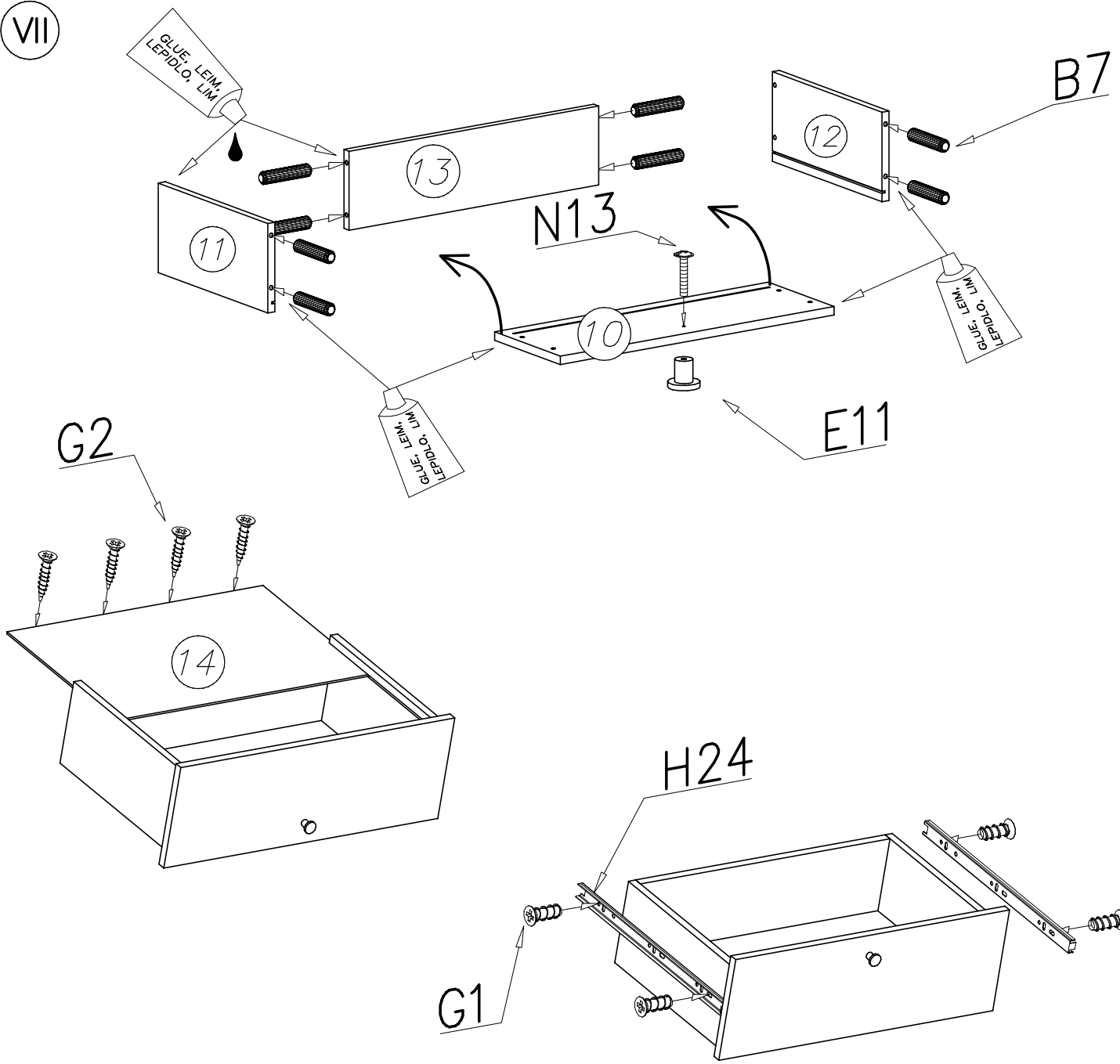
V



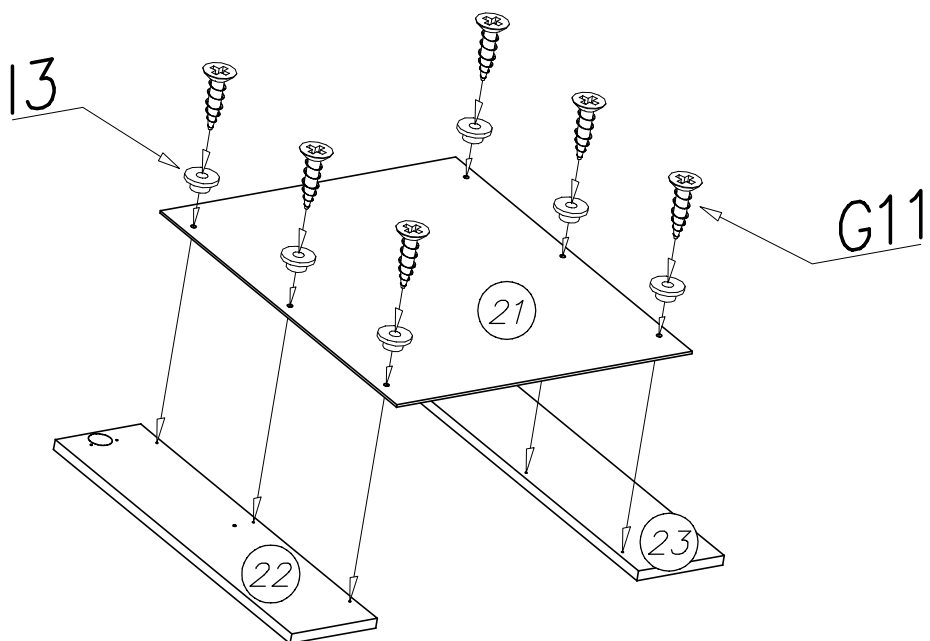
VI



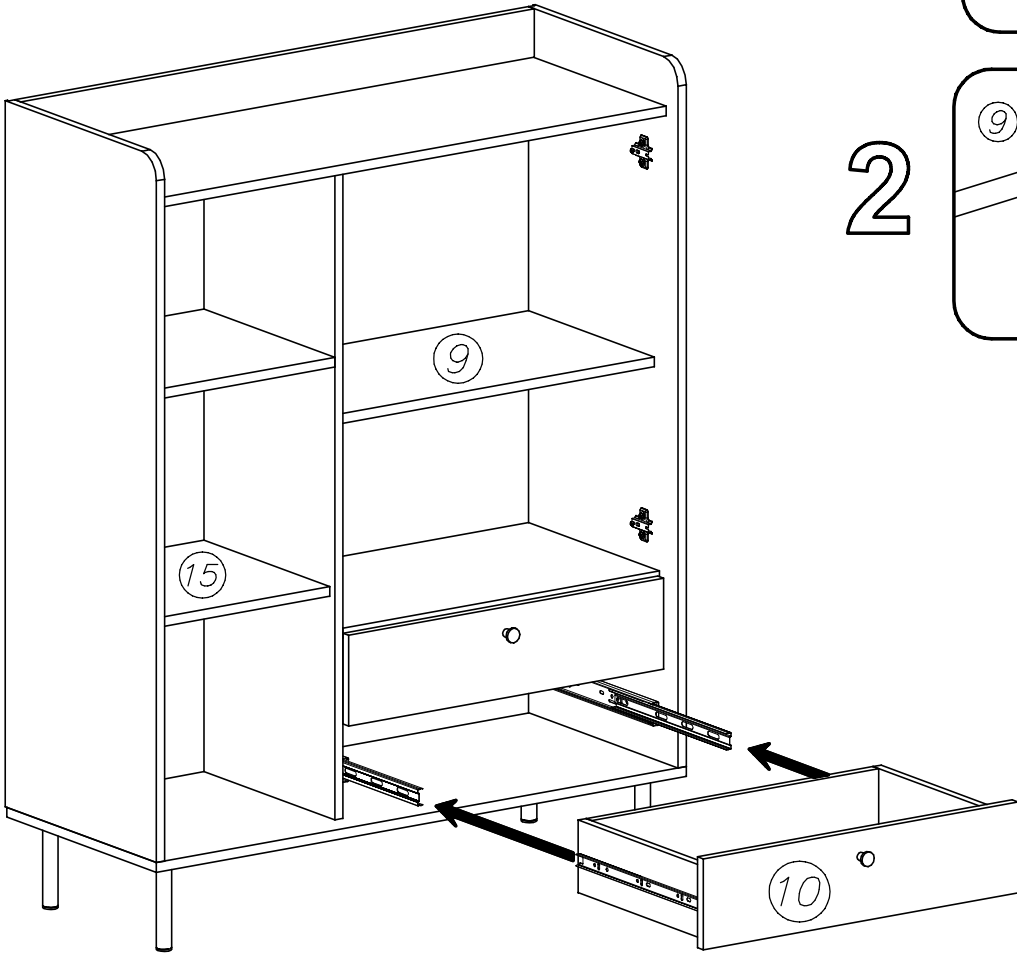
VII



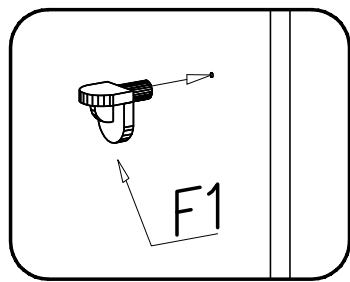
VIII



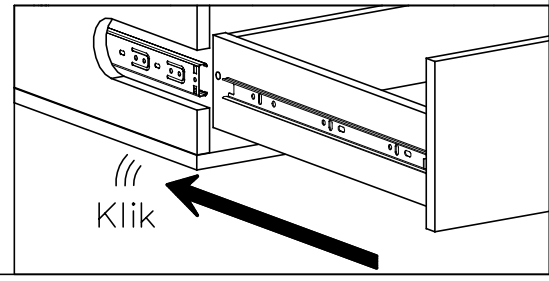
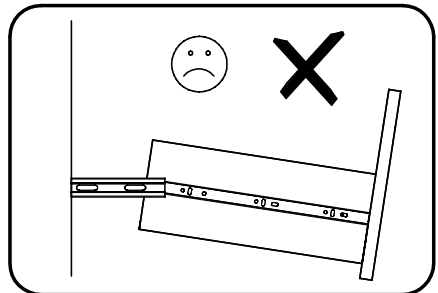
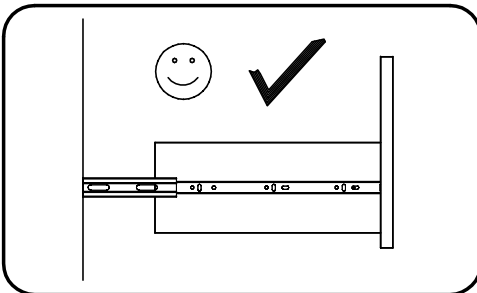
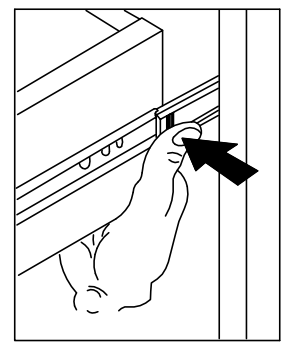
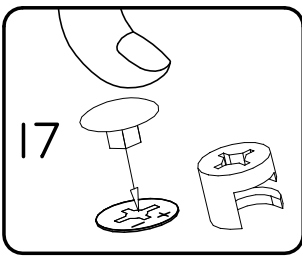
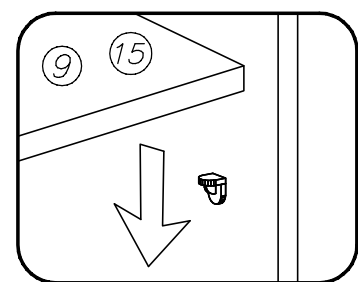
IX



1



2



(X)

