



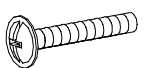

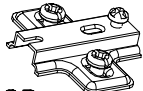
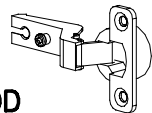



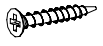

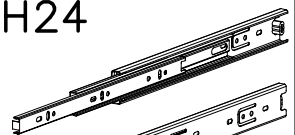
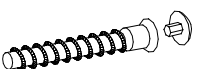

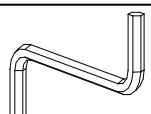
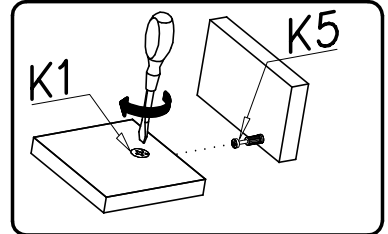
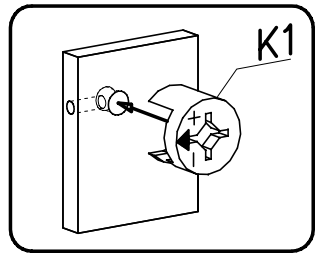
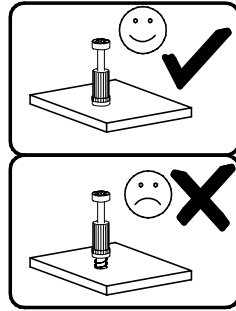
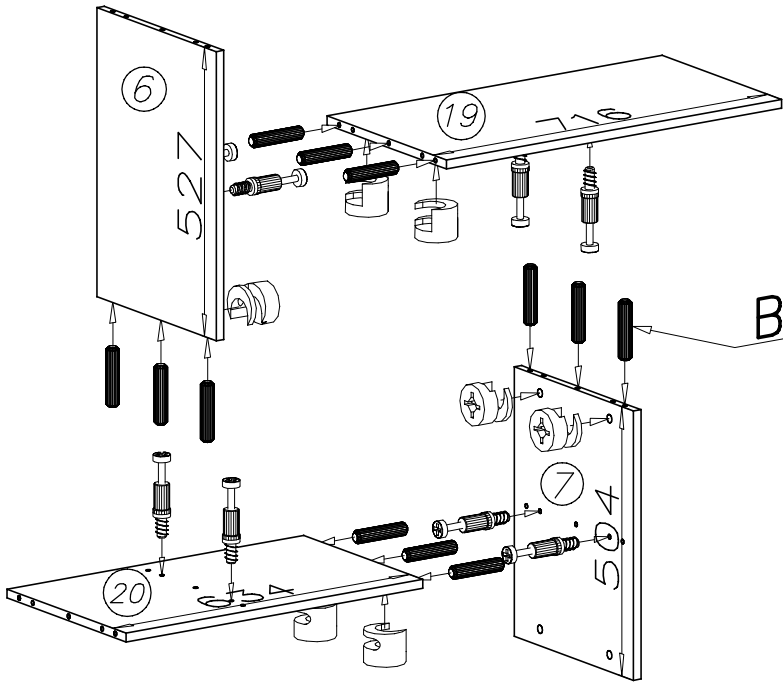


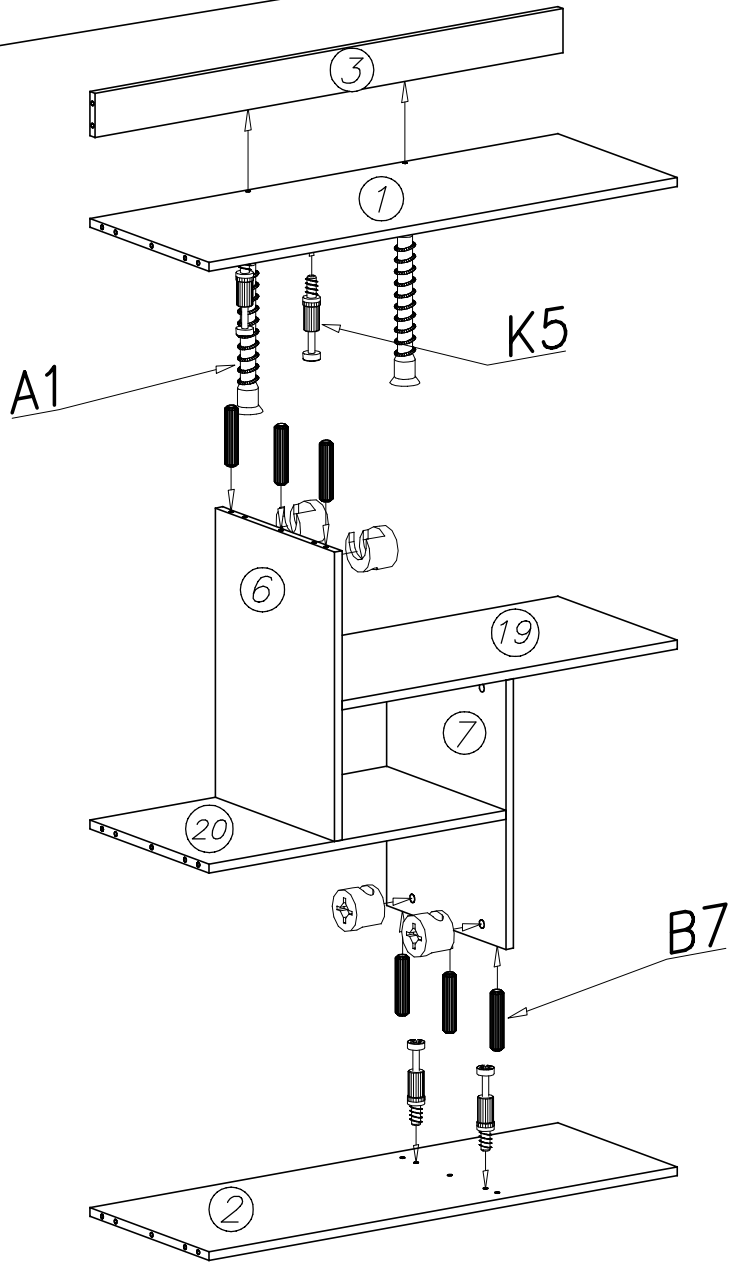
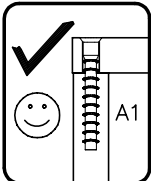
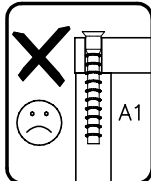
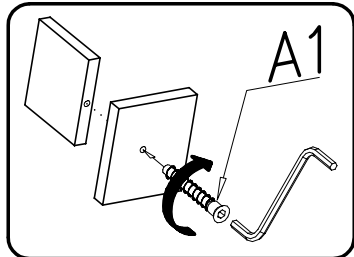
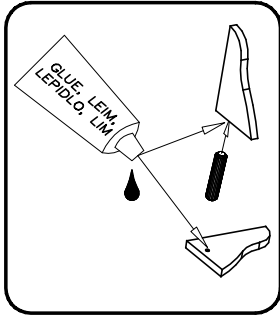
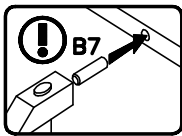
	S1  x1 275mm	S2  x17	S9  x4	I7  x26 ø18
N13  x3 M4x22	W1  x4 GLUE, LEIM, LEPIDLO, LIM	D4  x2 PZ350D	C4  x2 Z350D	G1  x20 4x13
E11  x3	G4  x16 4x16	G2  x50 3x20	P6  x4	H24  x2 350mm
A1  x5 ø7x50	B7  x65 ø8x30	W2  x1		

I



B7

II

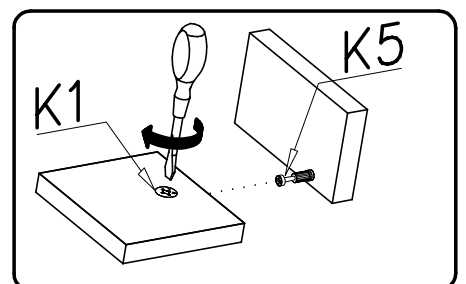
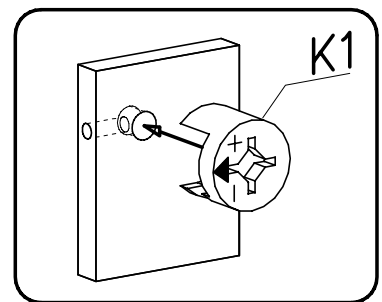
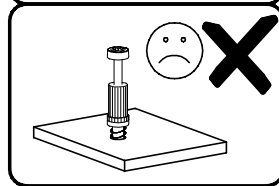
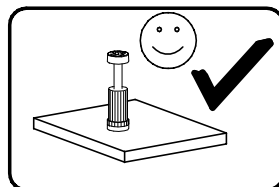
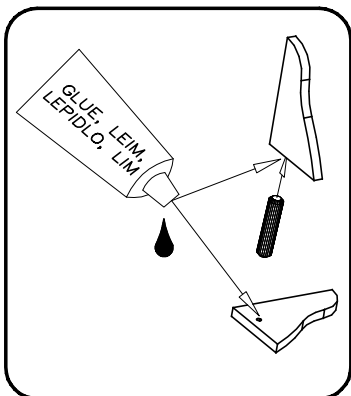
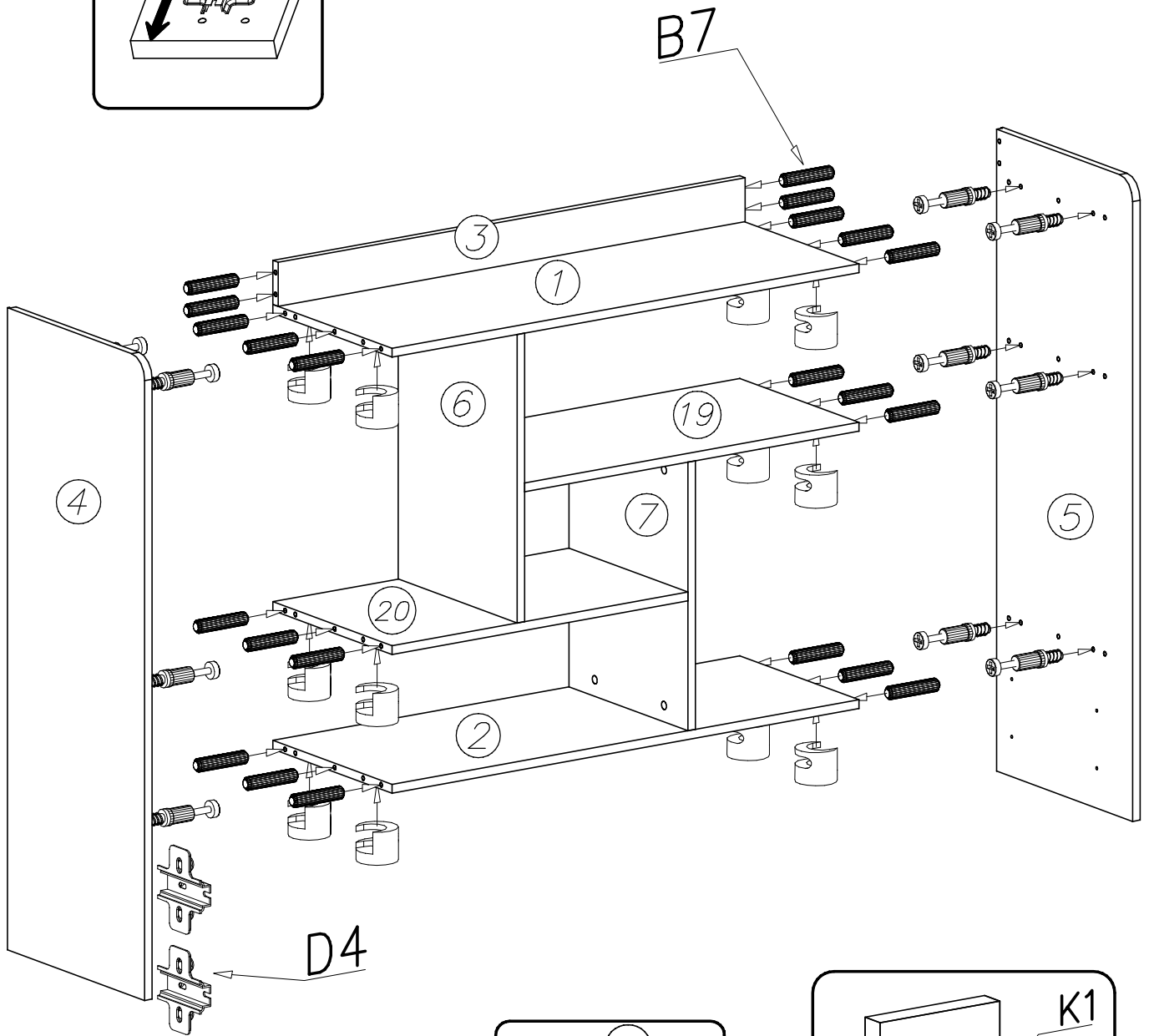
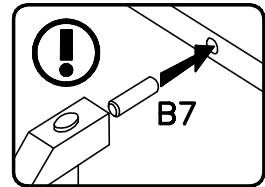
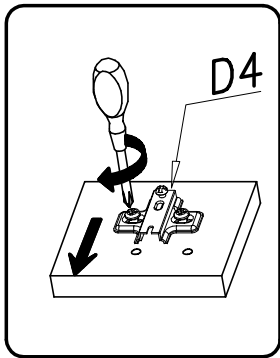


A1

K5

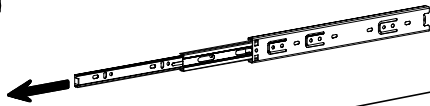
B7

III

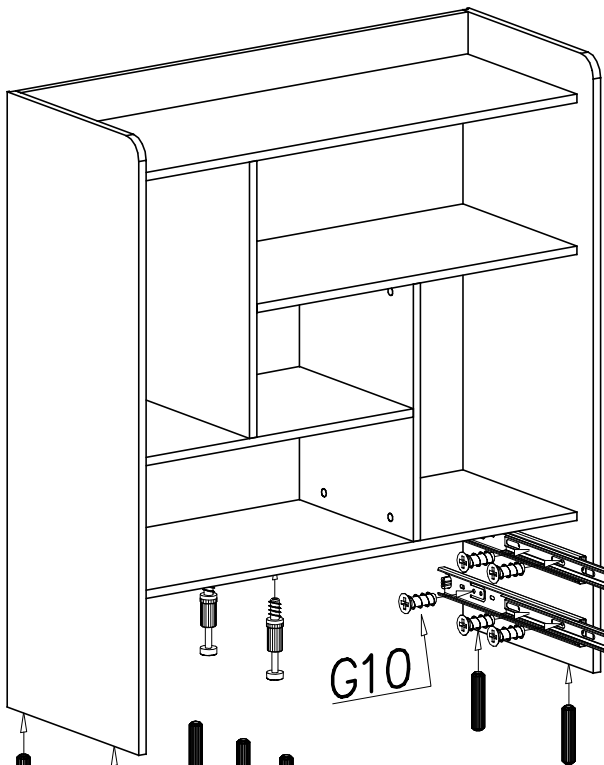
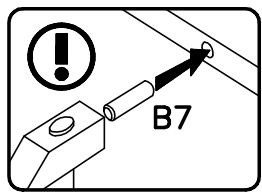
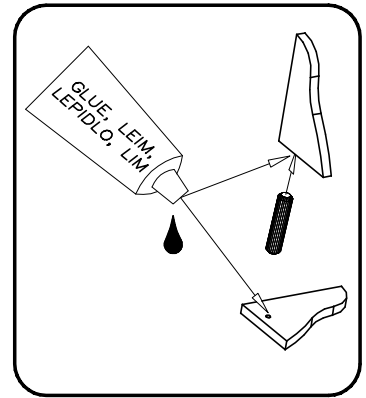
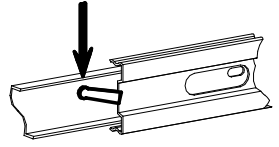
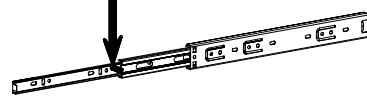


IV

A



B



G10

H24

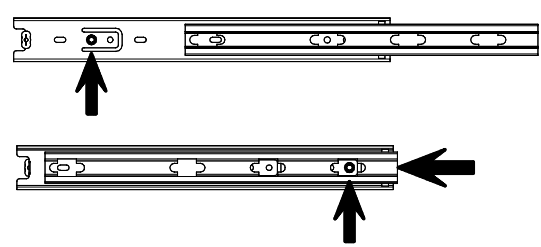
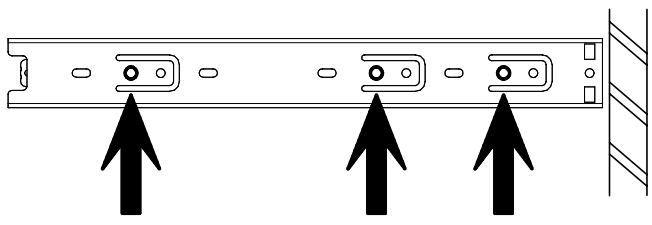
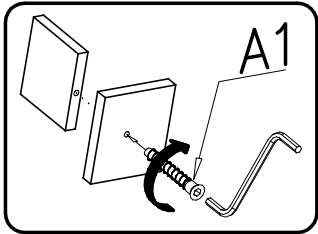
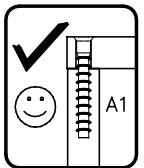
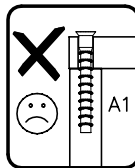
B7

K1

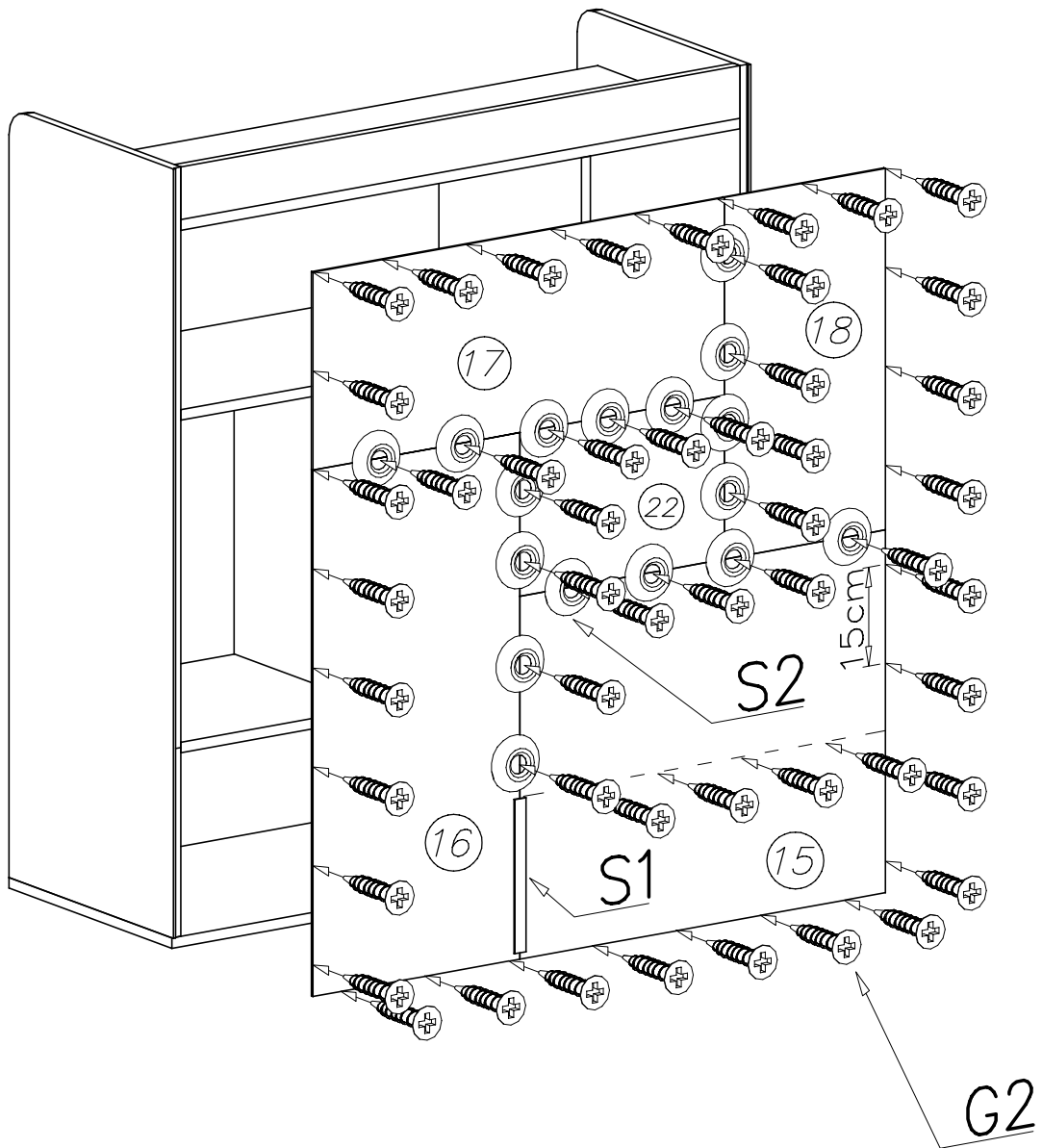
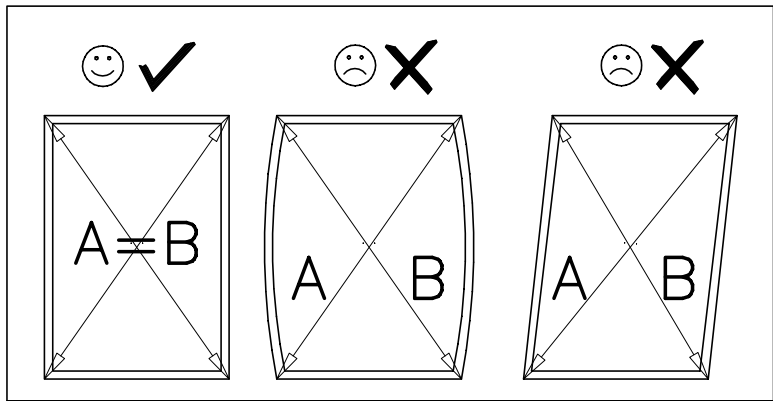
8

9

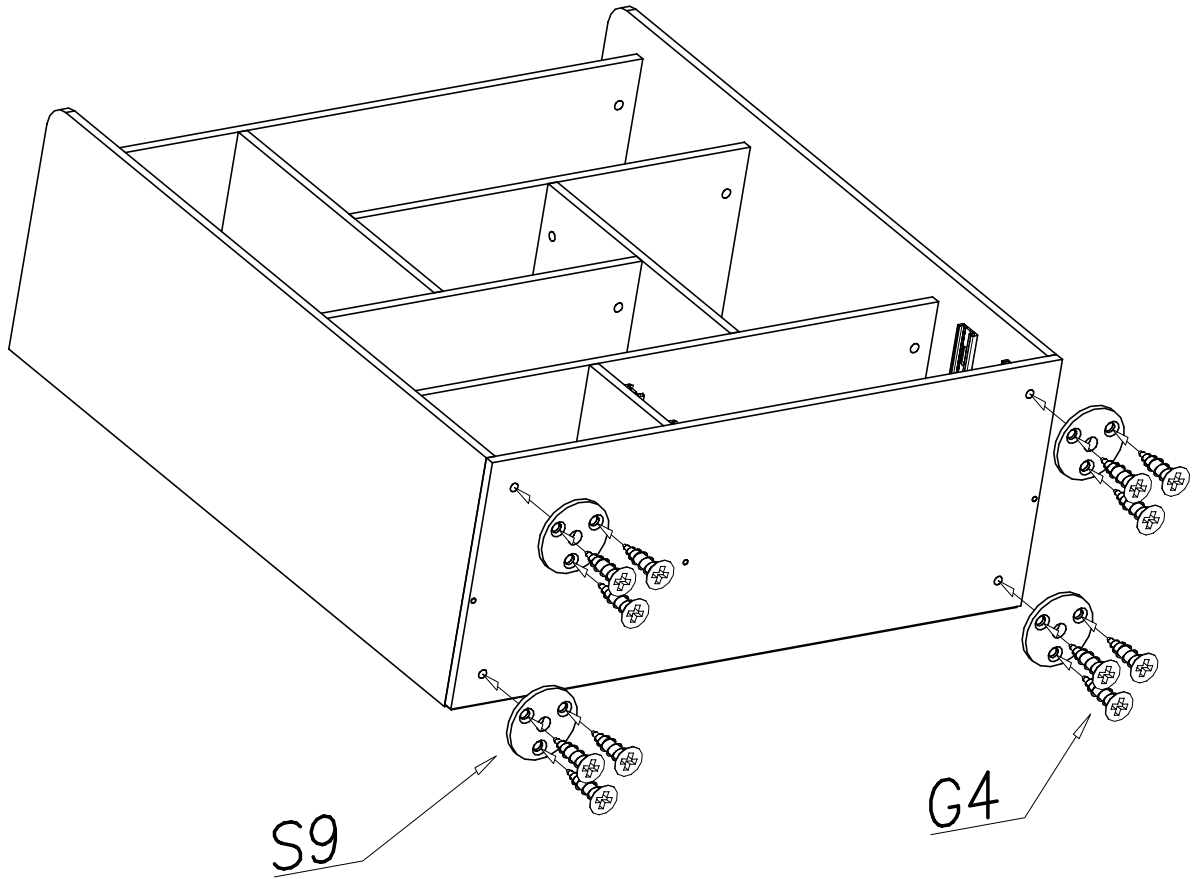
A1



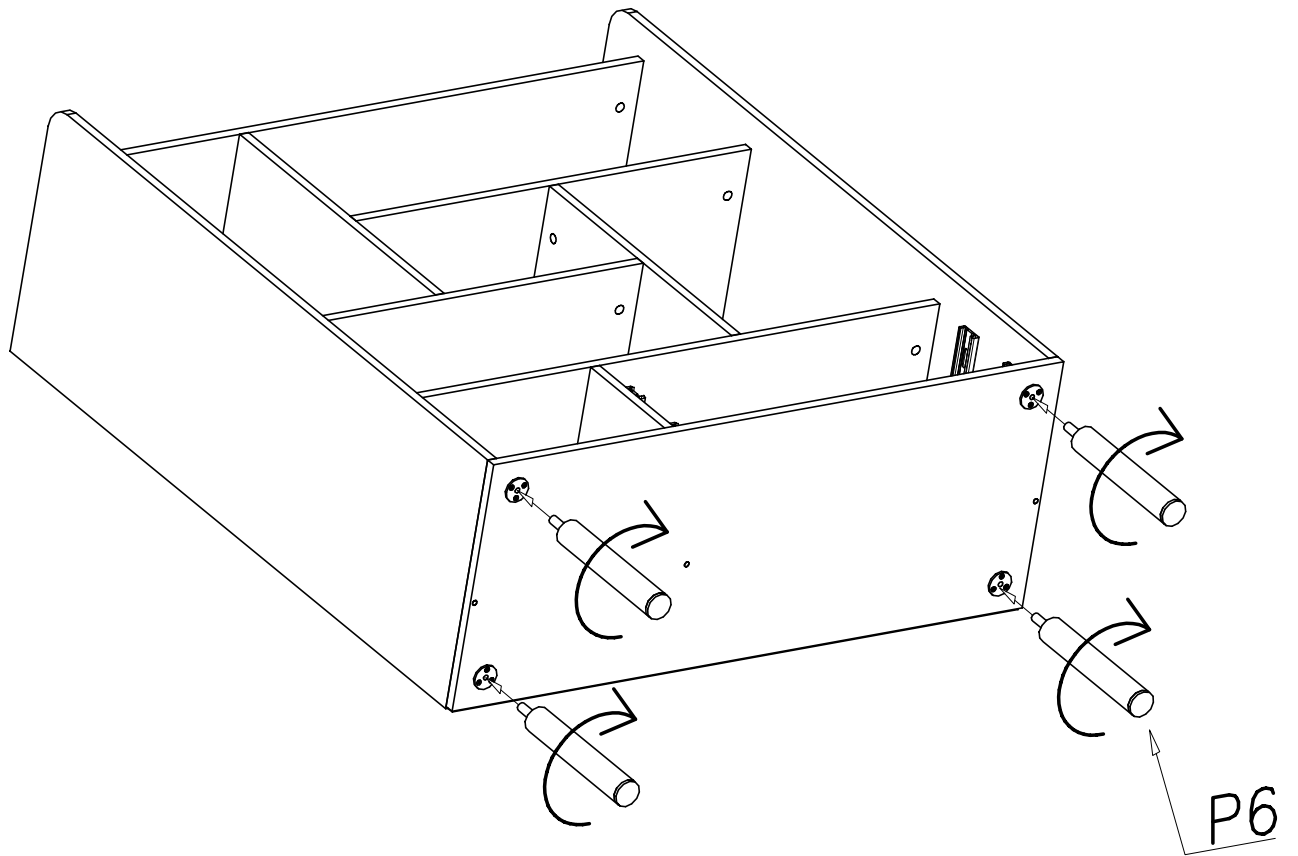
V



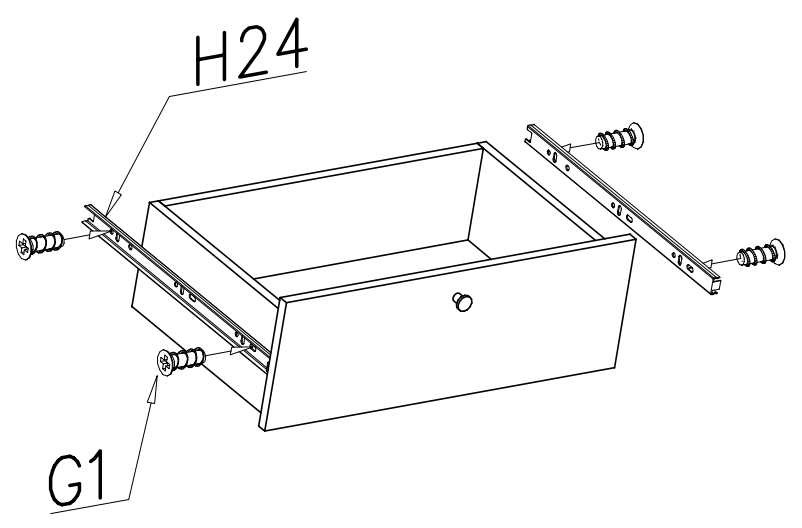
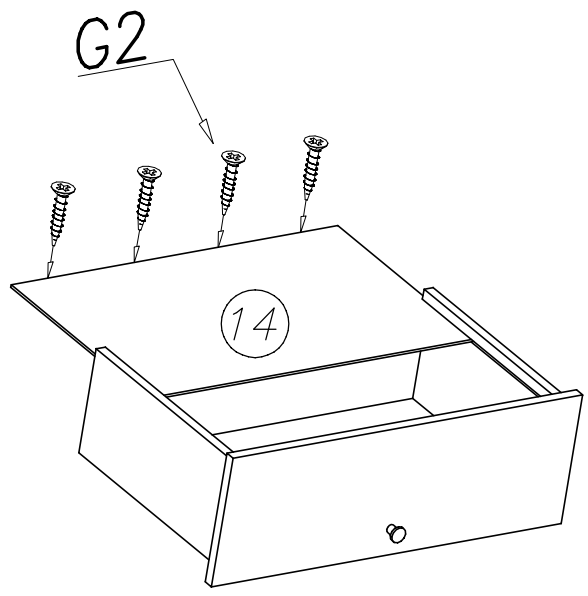
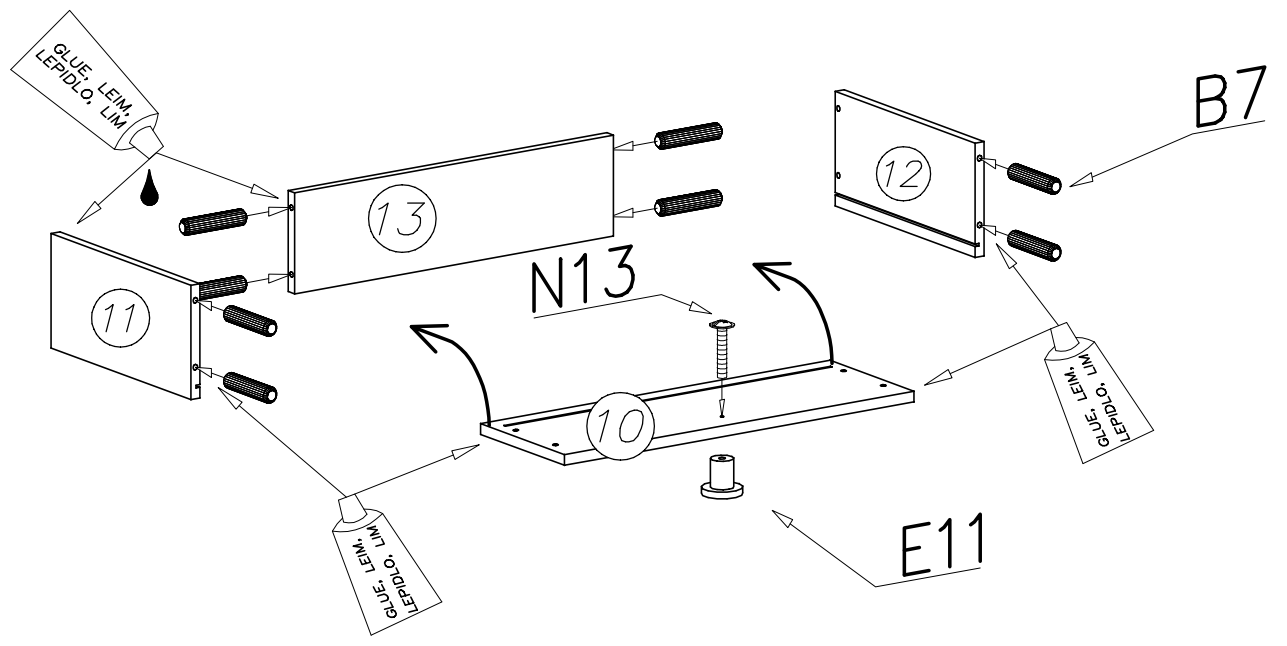
VI



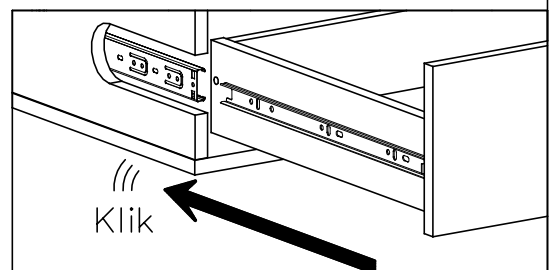
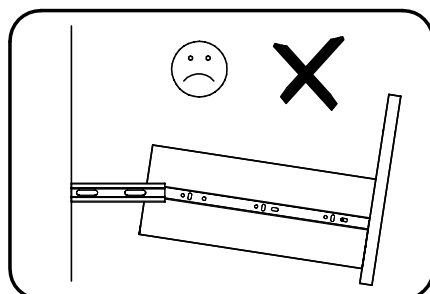
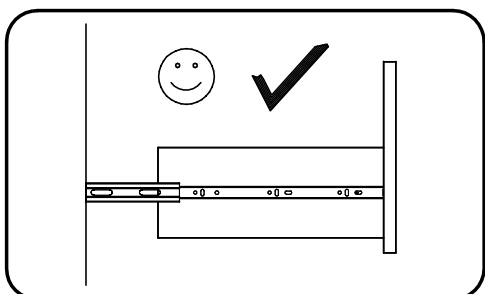
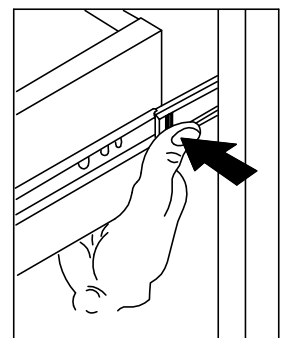
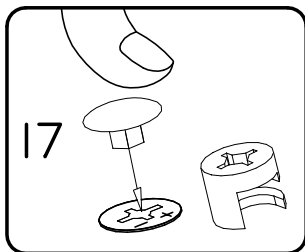
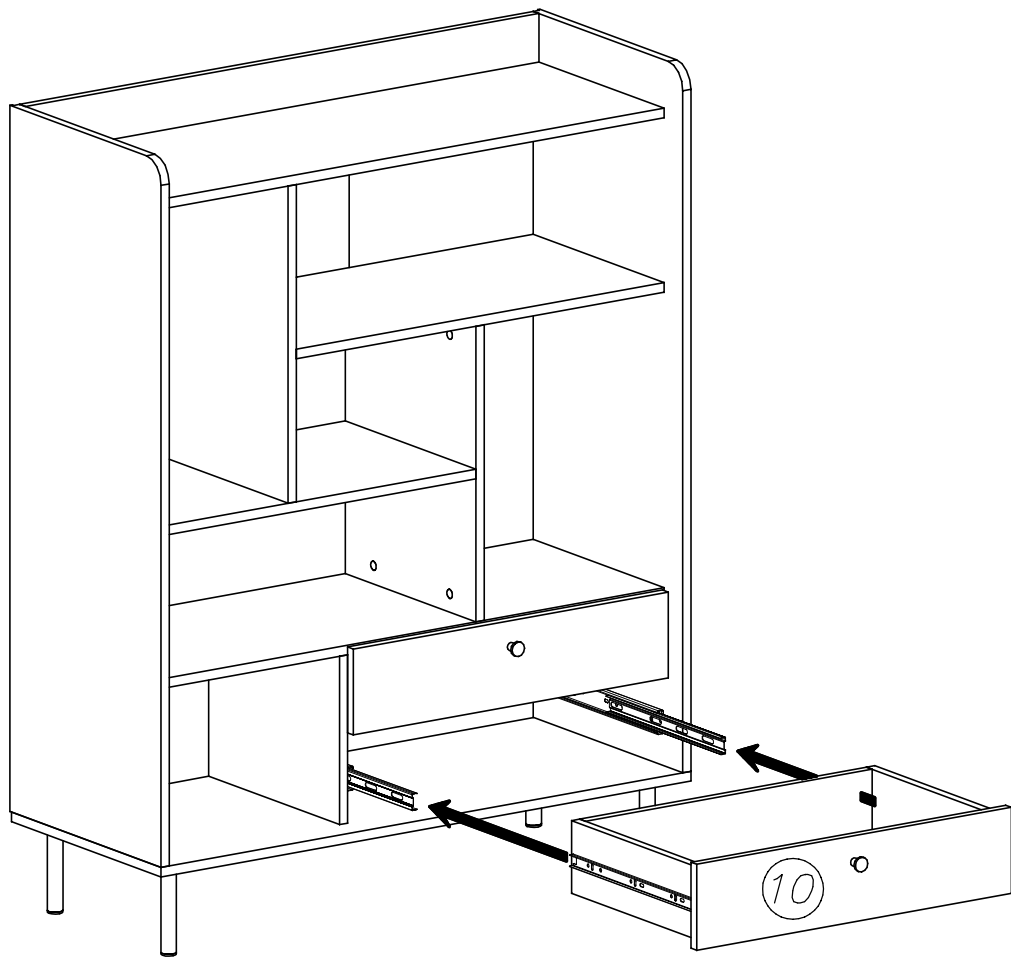
VII



VIII



IX





X

