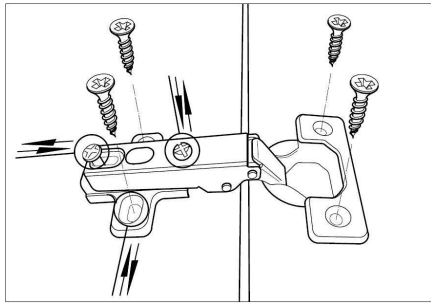
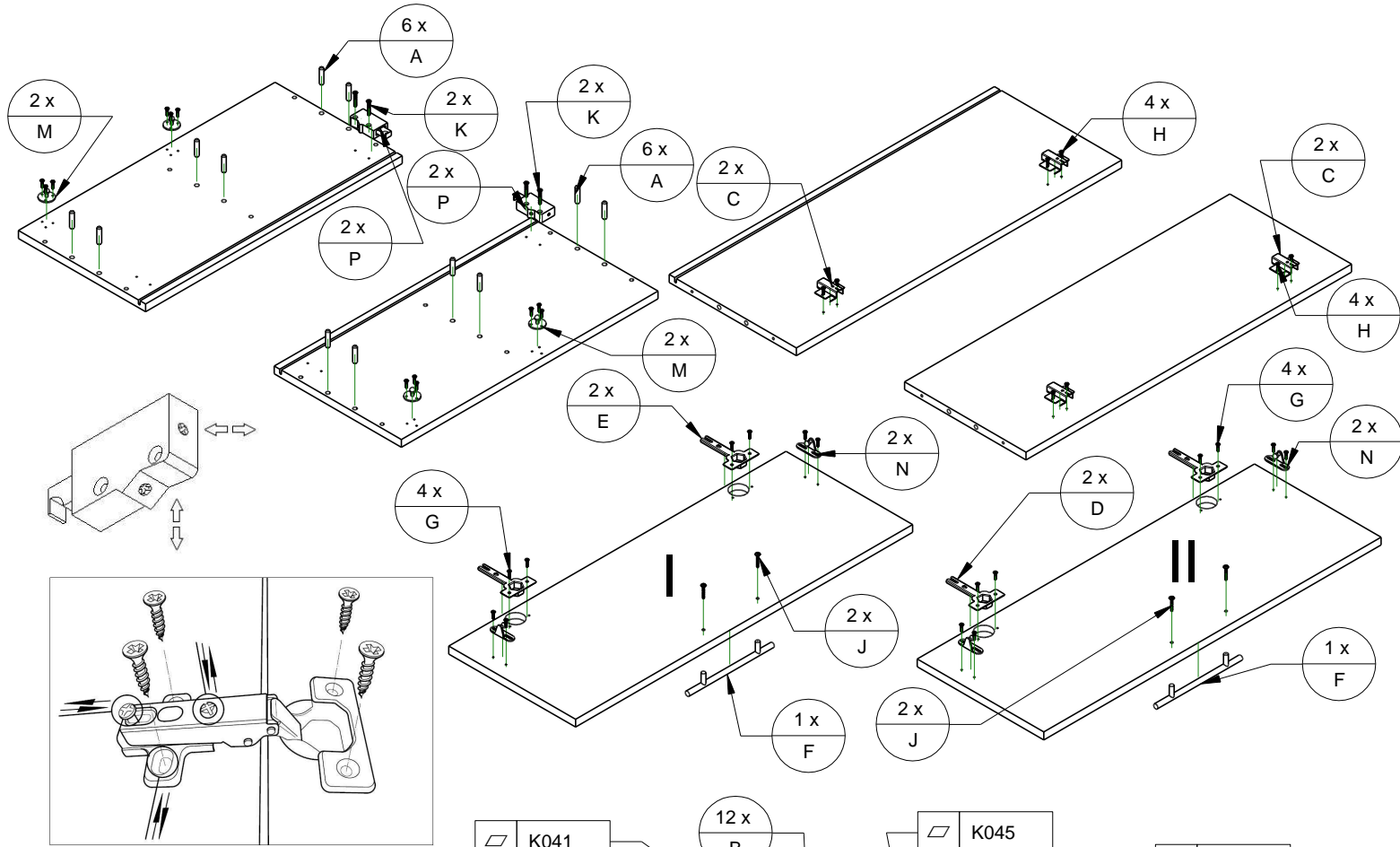
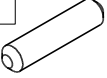

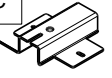



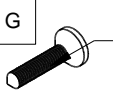
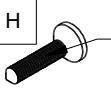
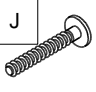

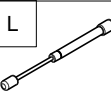
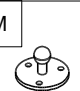

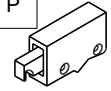
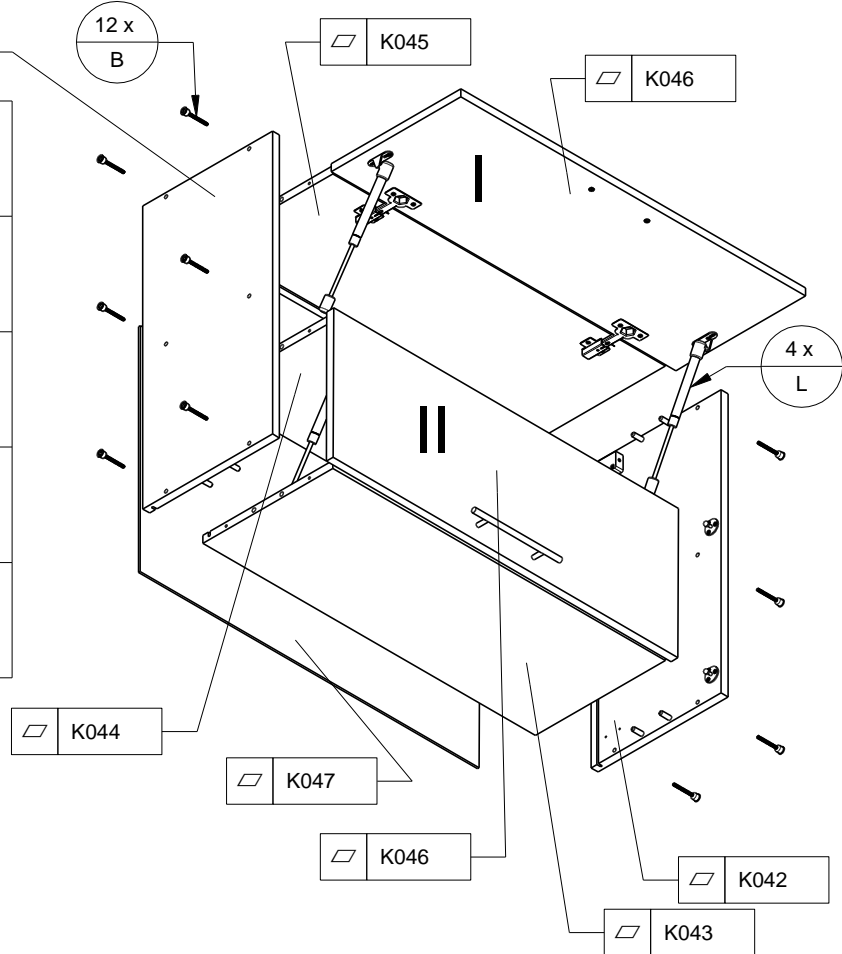


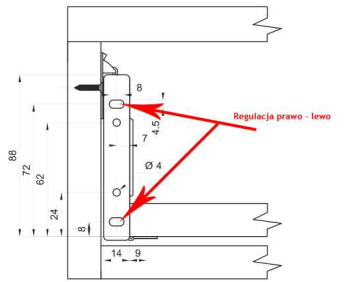
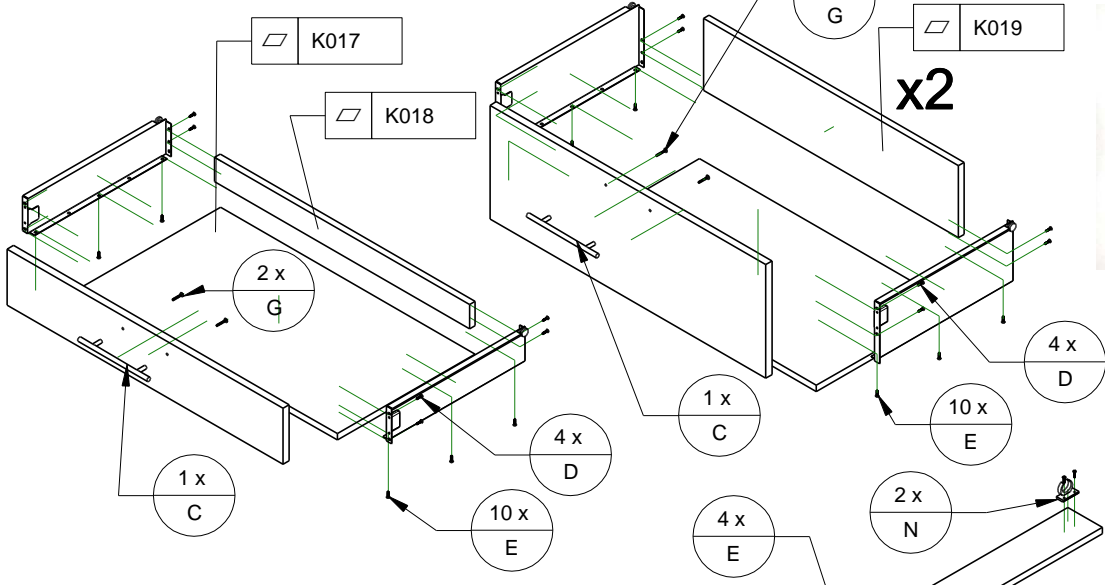
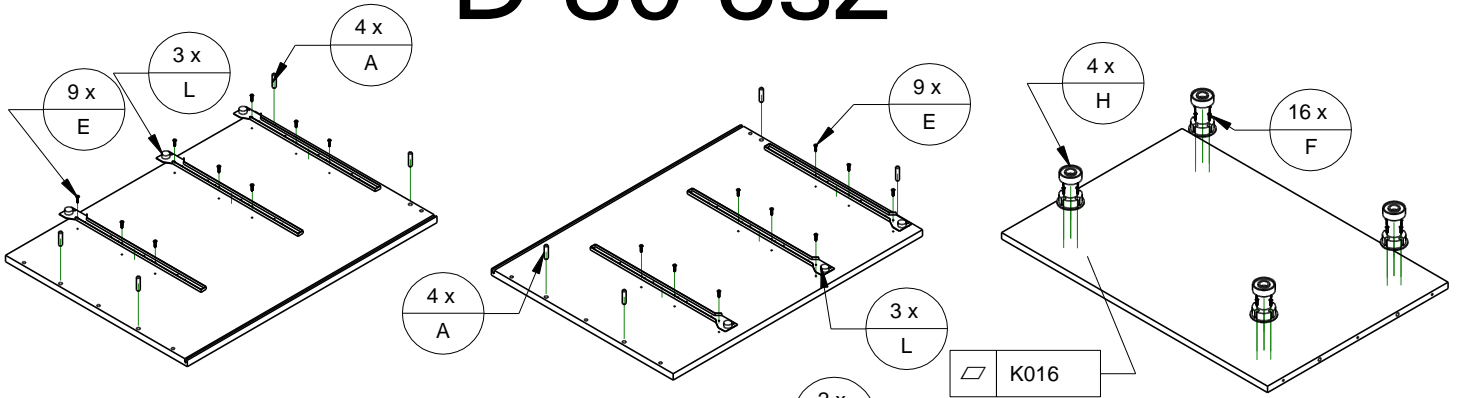
# G80uw



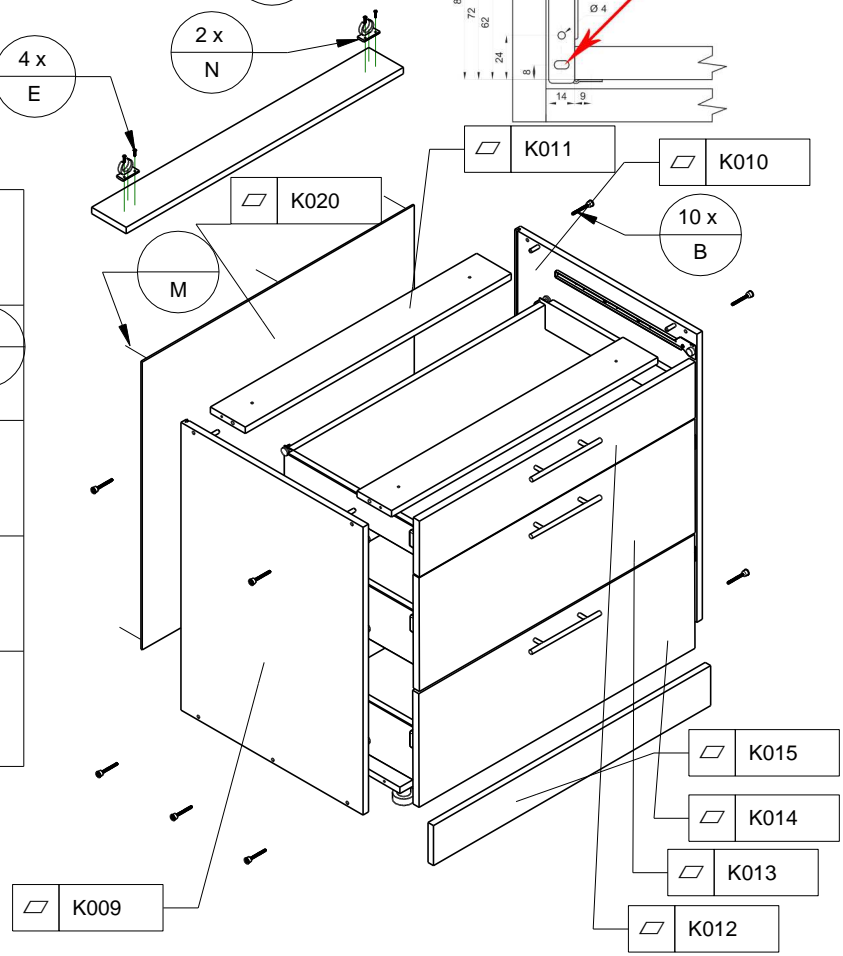
A	B	C
		
x12	x12	x4
D	E	F
		
x2	x2	x2
G	H	J
		
∅ 3,5 16 x8	∅ 4 16 x8	x4
K	L	M
		
∅ 4 30 x4	x4	x4
N	P	R
		
x4	x2	



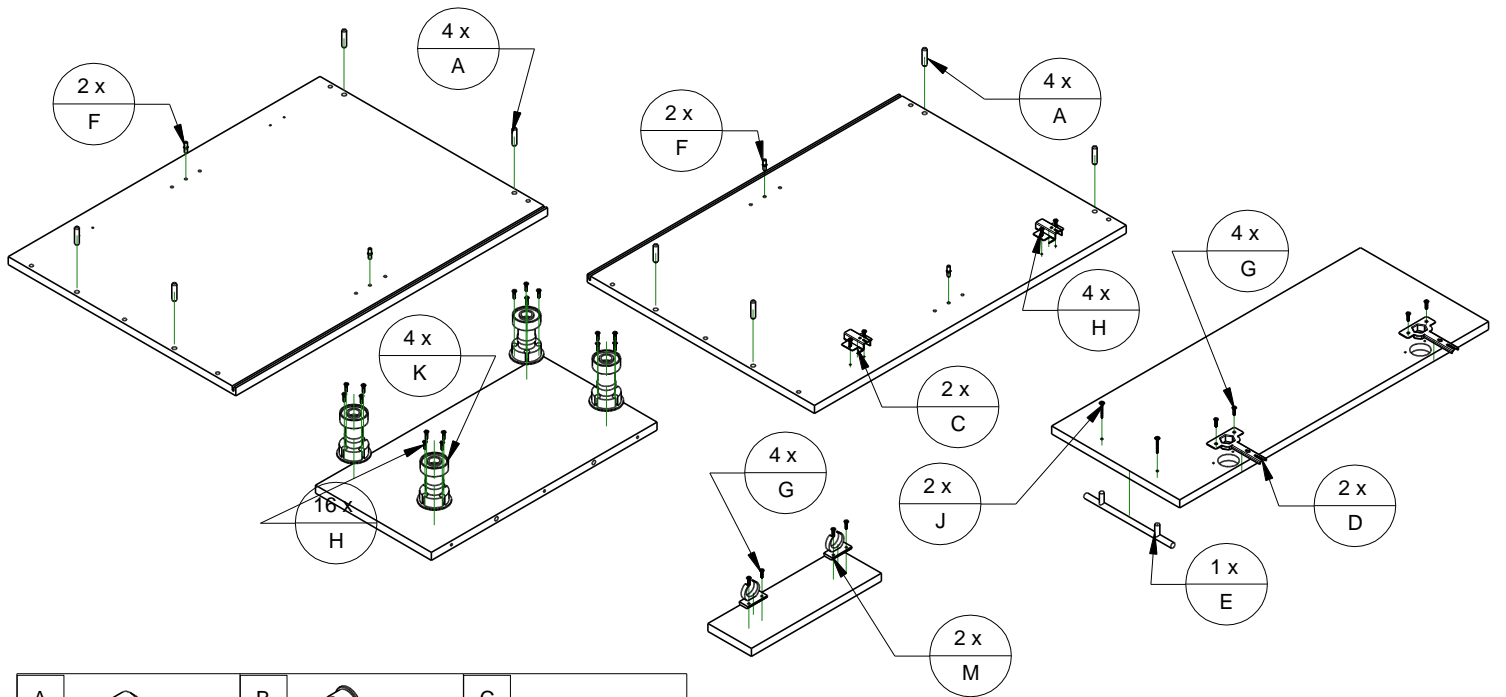
# D 80 3sz





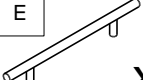
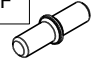

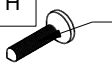
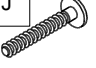
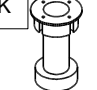
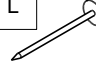
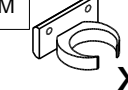


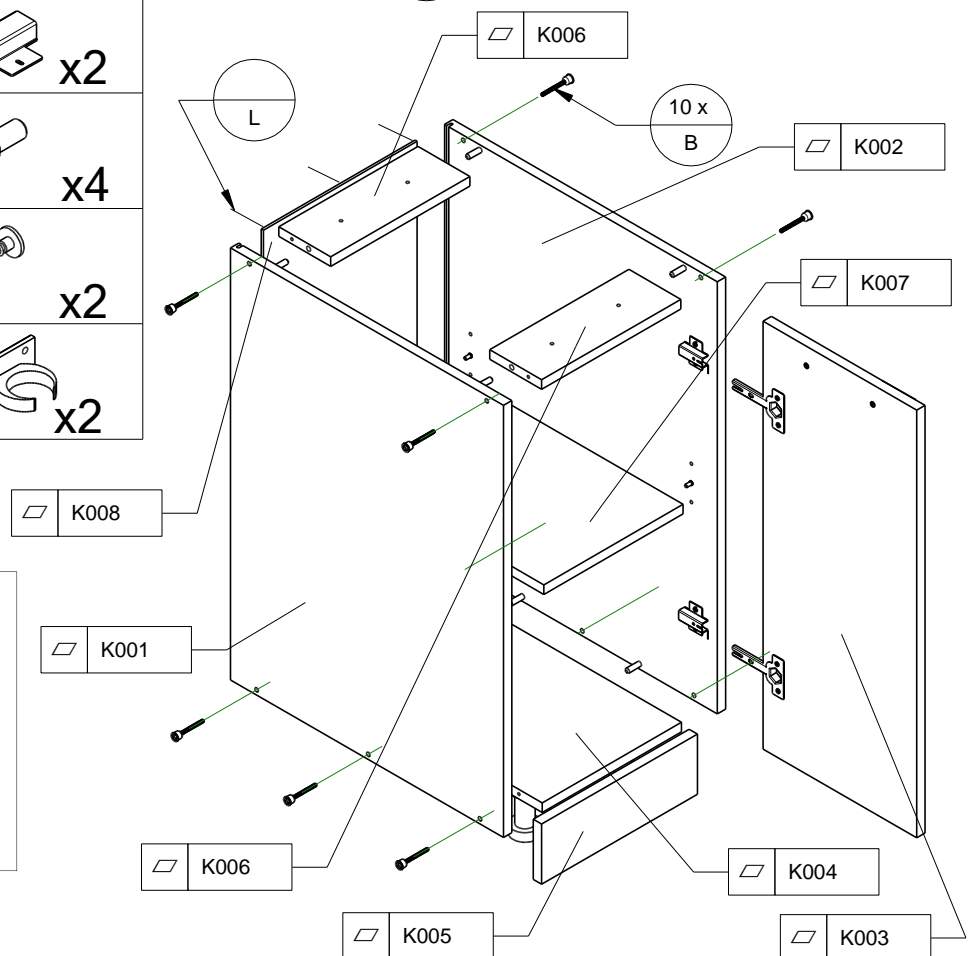
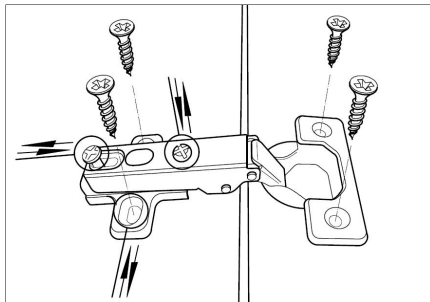
A	B	C
x8	x10	x3
D	E	F
$\varnothing 3$ x12	$\varnothing 3,5$ x52	$\varnothing 4$ x16
G	H	J
x6	x4	x2
K	L	M
x4	x6	x20
N	P	R
x2		



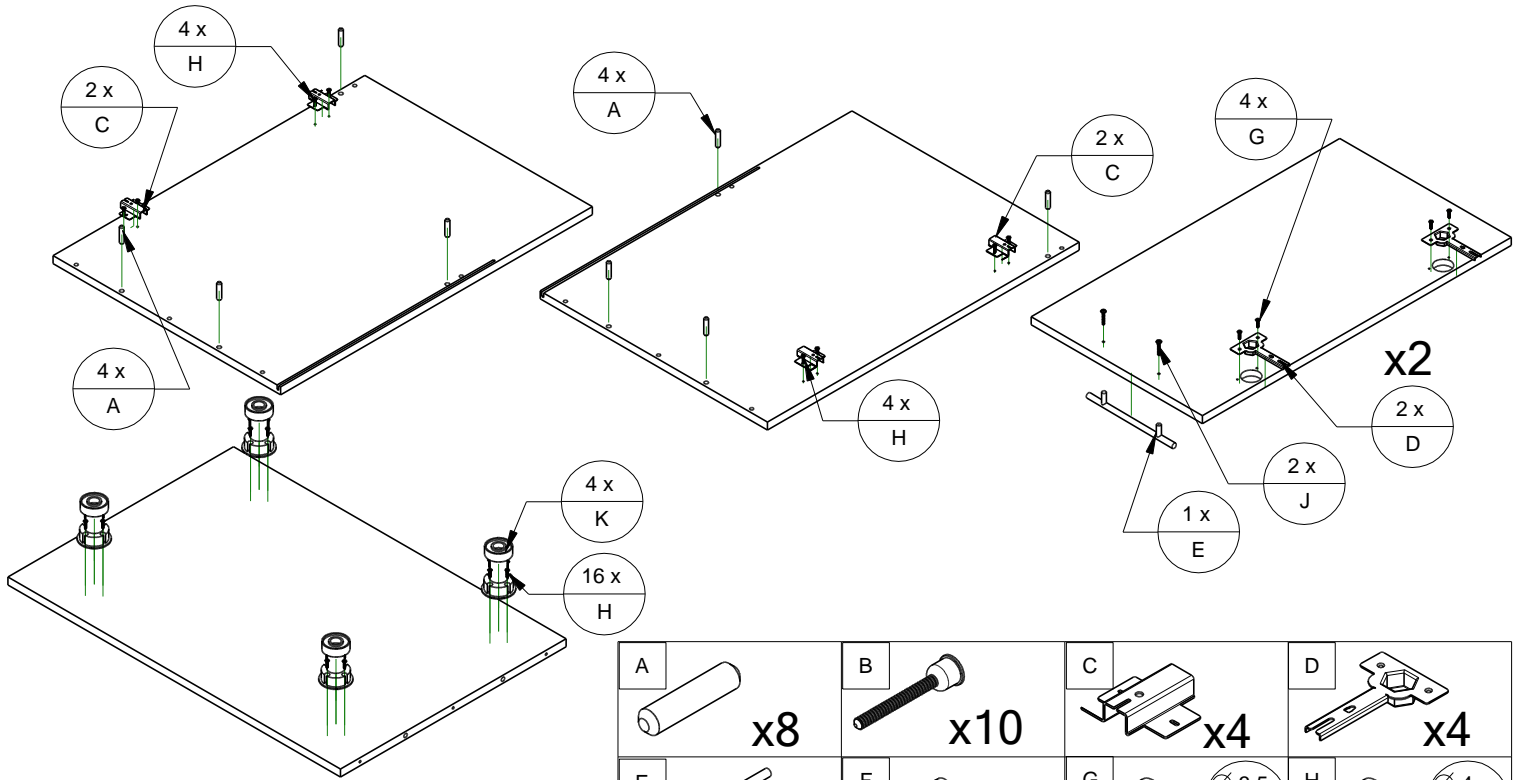
# D 30/40/60 1F

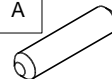
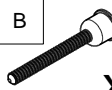
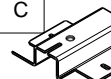
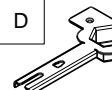

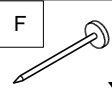
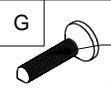
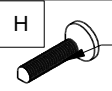
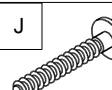
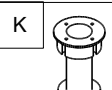
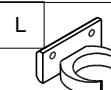


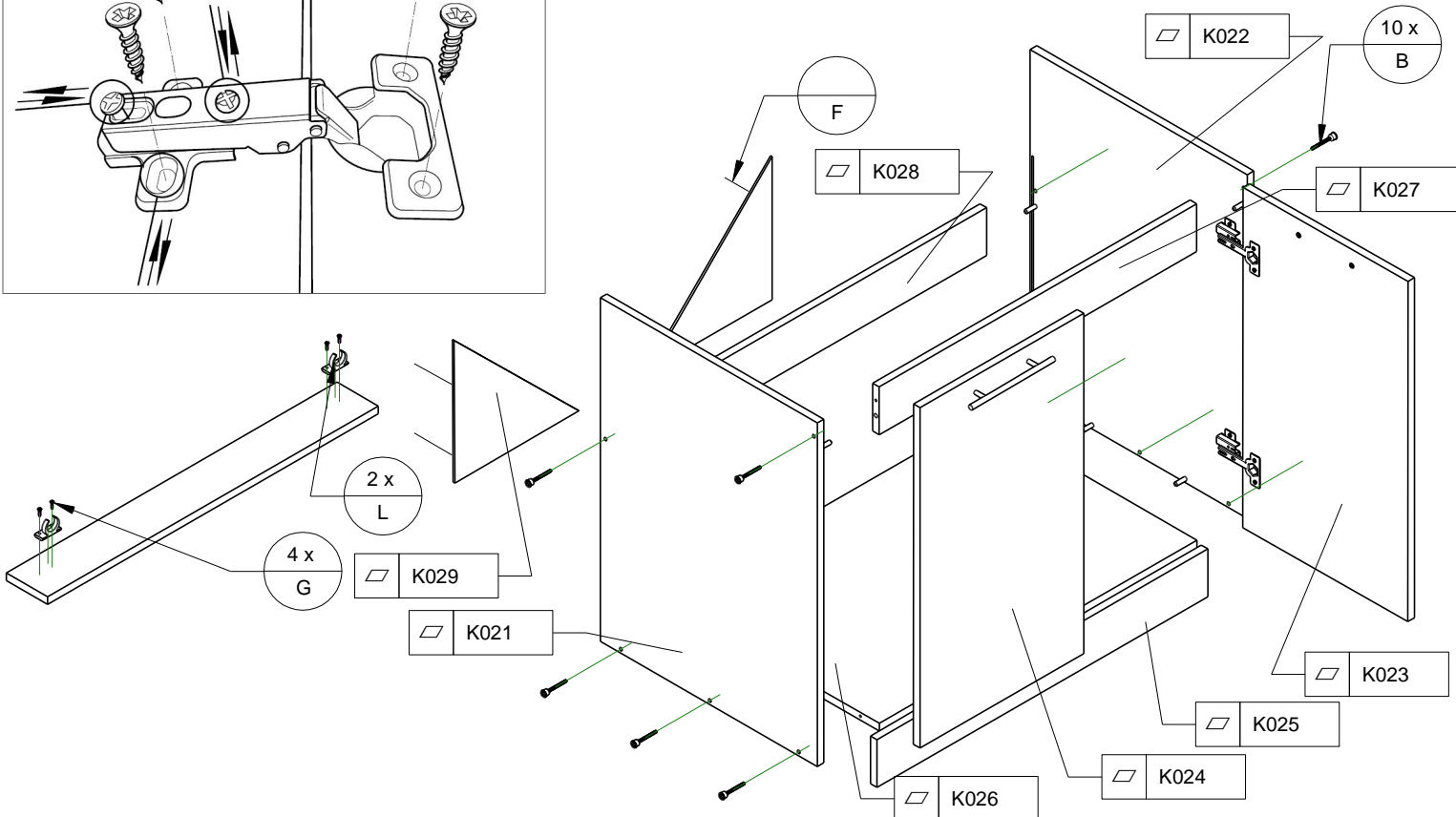
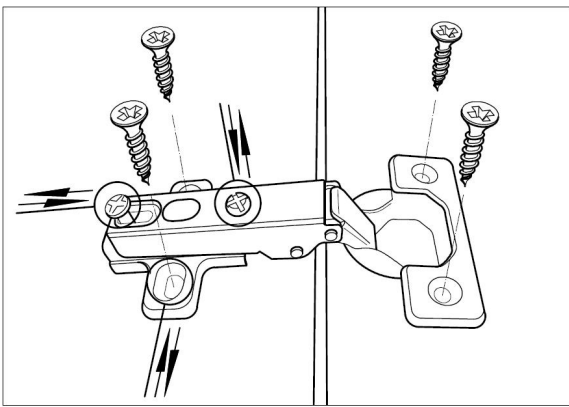
A	B	C
 x8	 x10	 x2
D	E	F
 x2	 x1	 x4
G	H	J
 $\varnothing 3,5$ 16 x8	 $\varnothing 4$ 16 x20	 x2
K	L	M
 x4	 x20	 x2



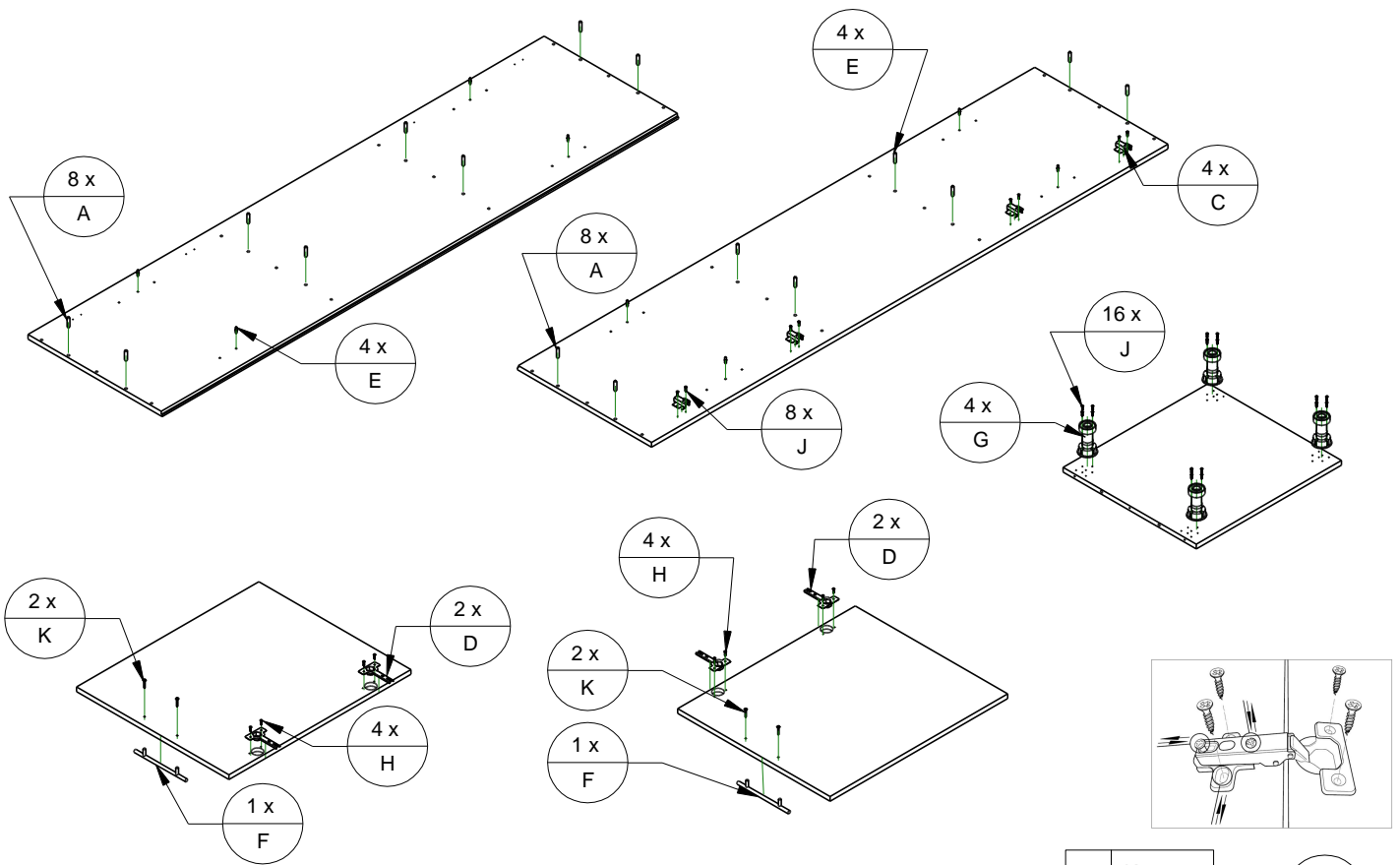
# D 80zi

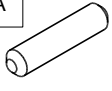

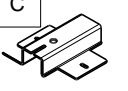
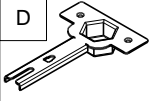
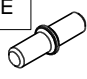
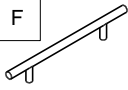
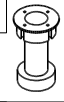
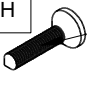
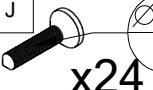
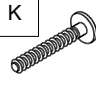
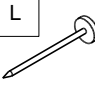


A	B	C	D
 x8	 x10	 x4	 x4
E	F	G	H
 x2	 x10	 $\varnothing 3,5$ 16 x12	 $\varnothing 4$ 16 x8
J	K	L	M
 x4	 x4	 x2	



# DK60 - SŁUPEK



A	B	C
 x16	 x24	 x4
D	E	F
 x4	 x8	 x2
G	H	J
 x4	 x8	 x24
K	L	M
 x4	 x50	

