


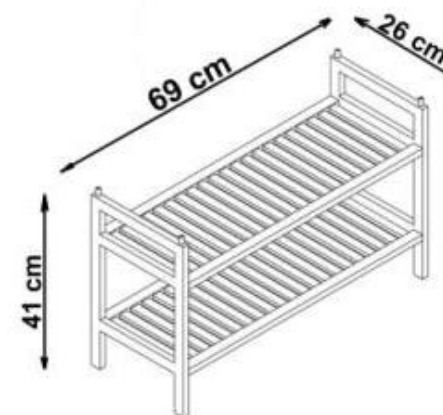
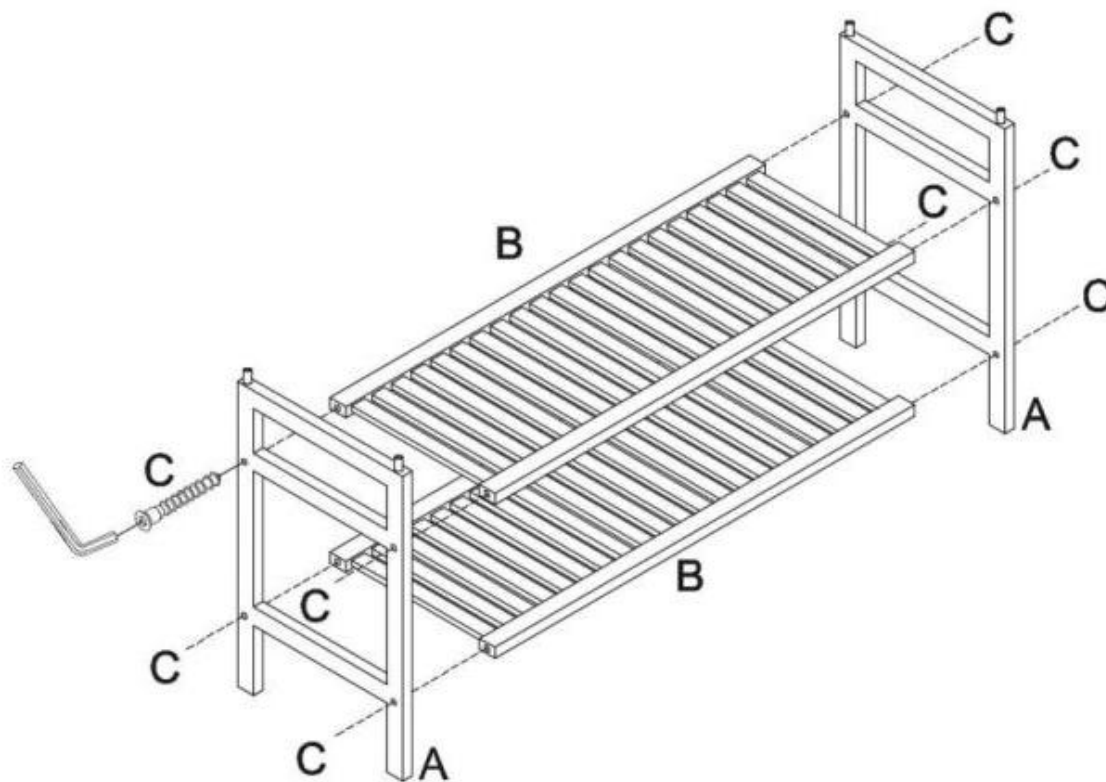



ST-9

A		2
B		2
C		8



 max. **5 kg**