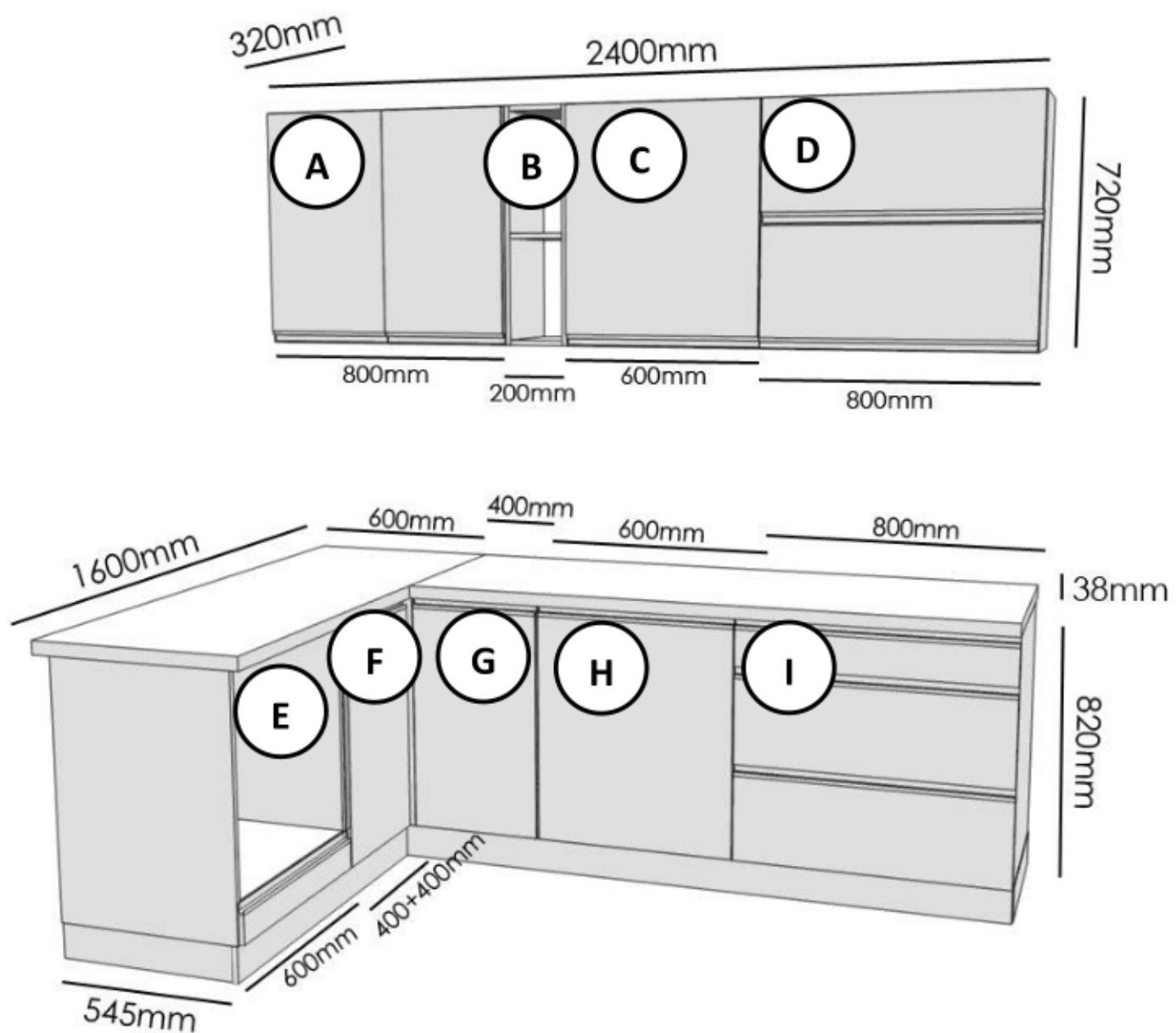
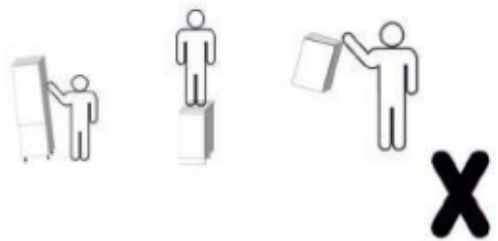
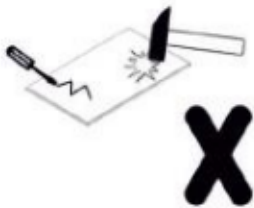
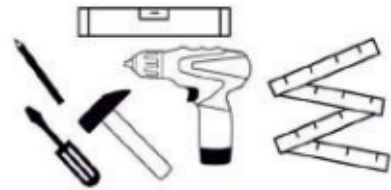
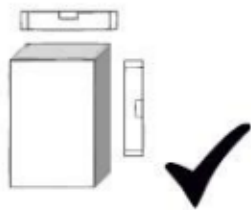
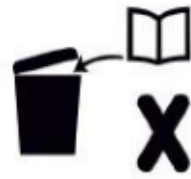
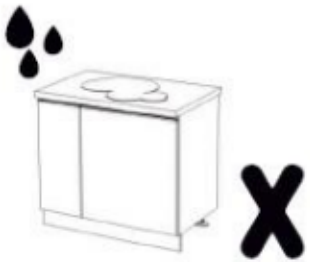
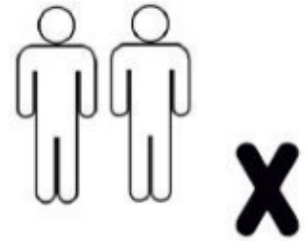
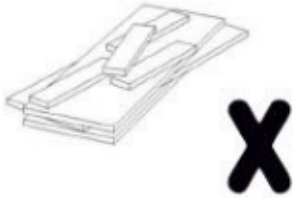
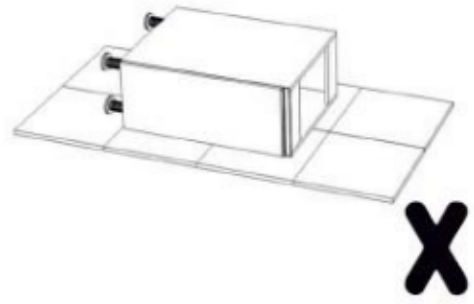
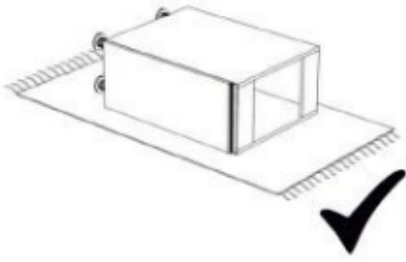


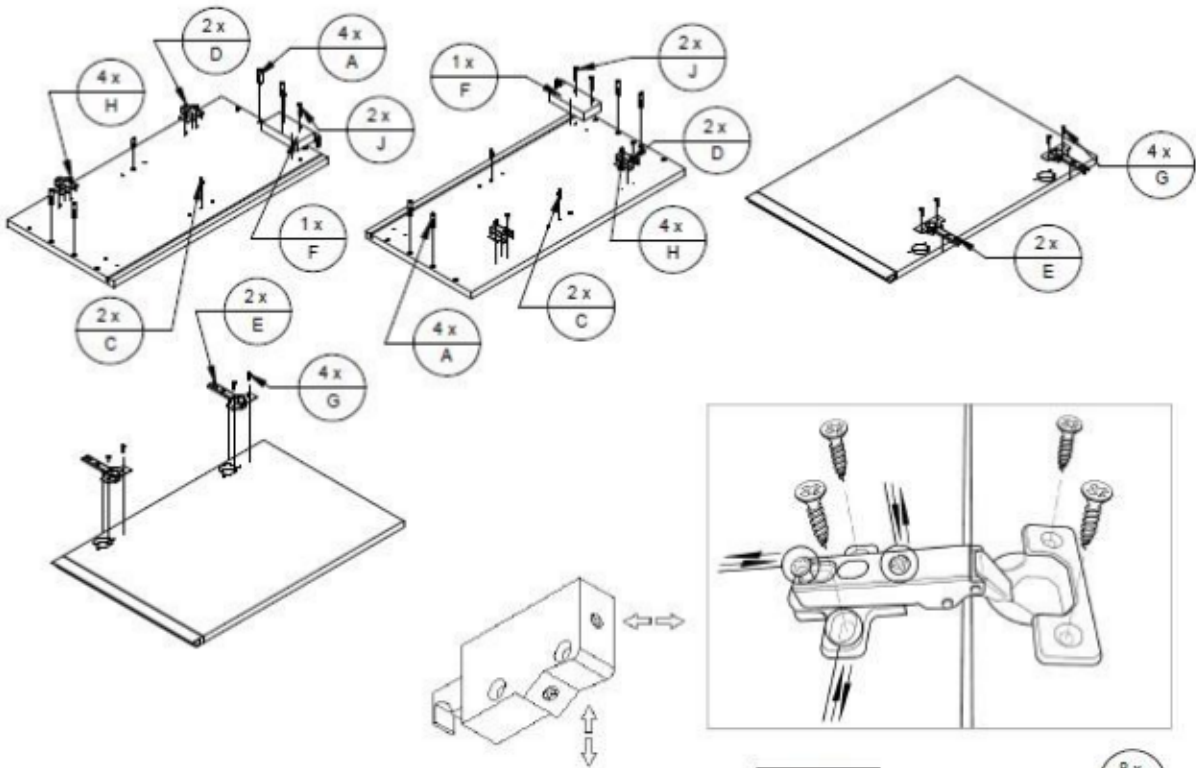
Rohová kuchyně Brick 240x160


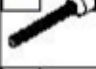









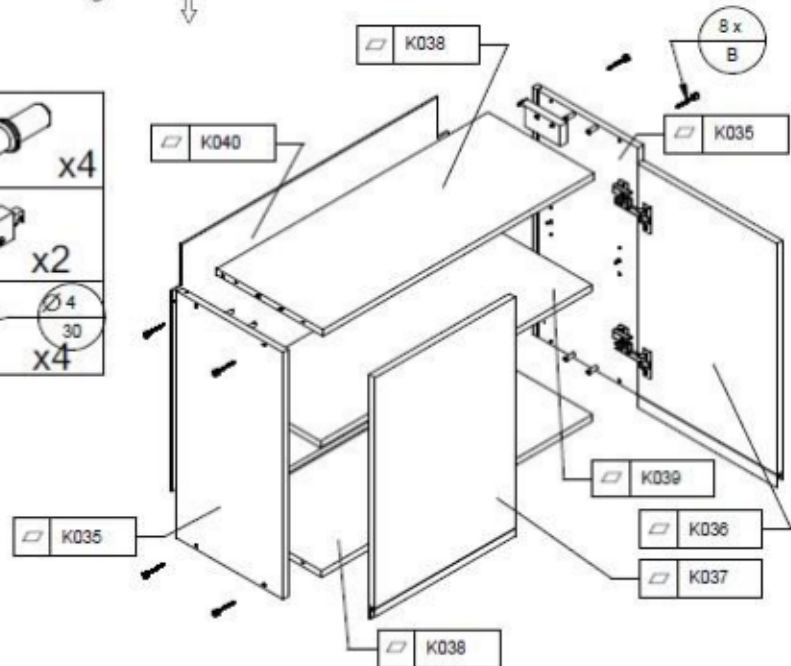


A

G80

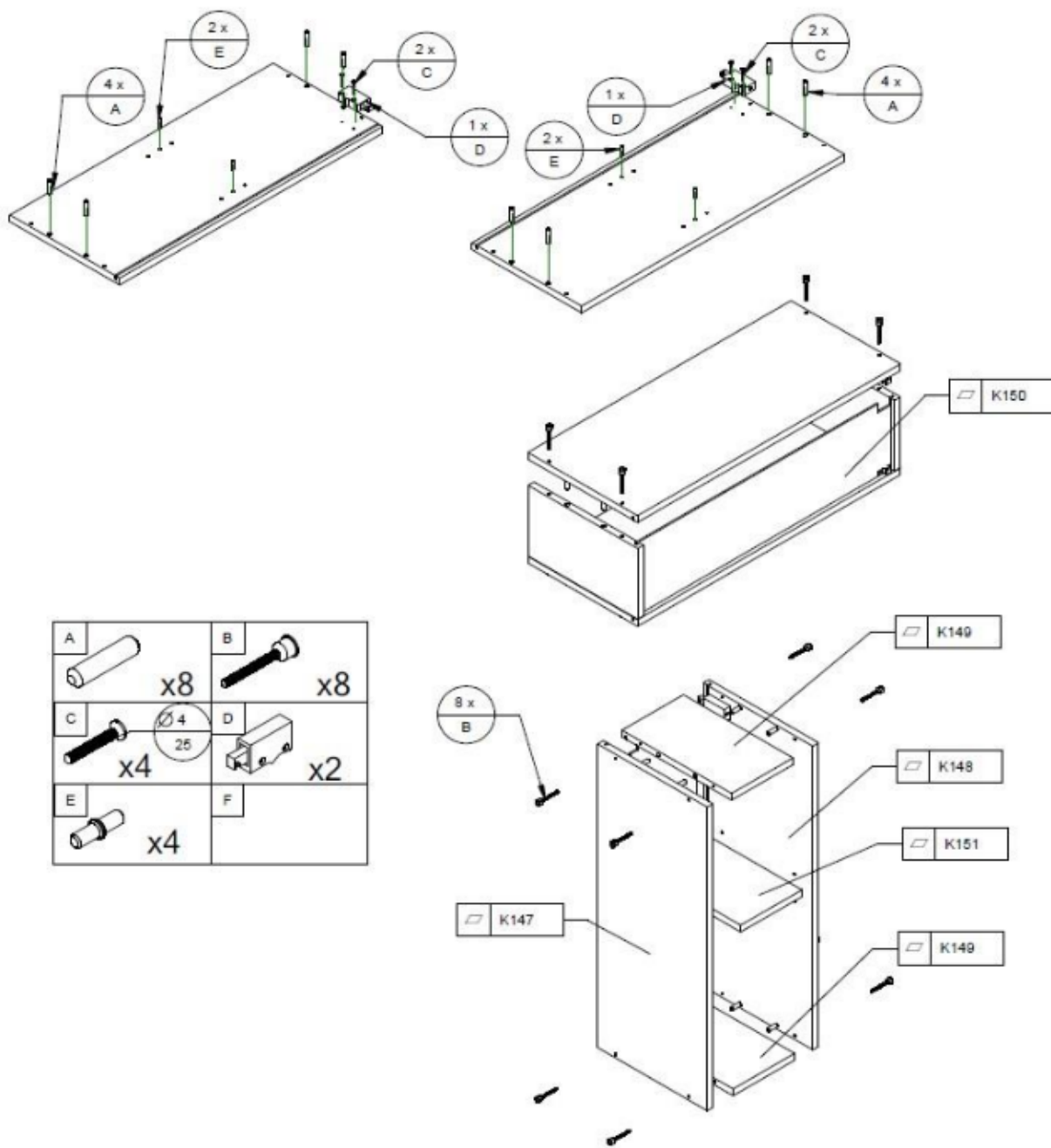


A	B	C
 x8	 x8	 x4
D	E	F
 x4	 x4	 x2
G	H	J
 $\varnothing 3.5$ 16 x8	 $\varnothing 4$ 16 x8	 $\varnothing 4$ 30 x4



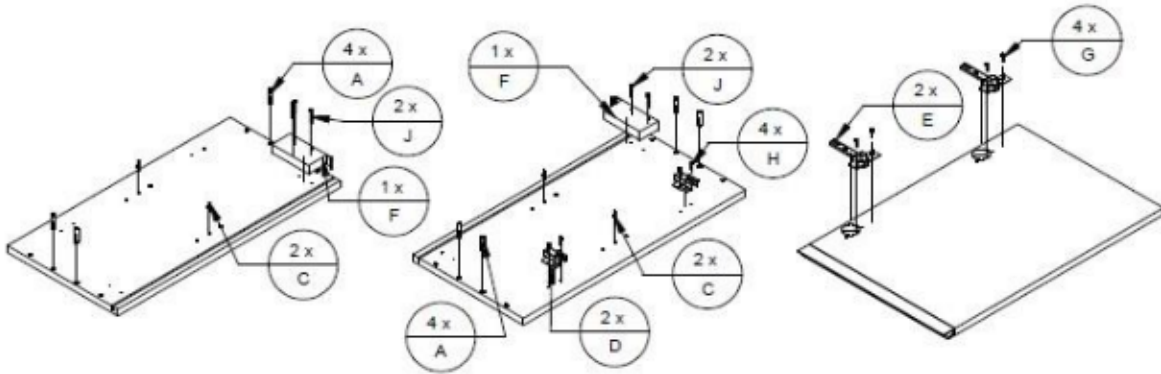
B

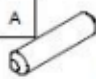

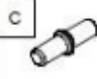
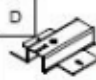





G 15/20 otw

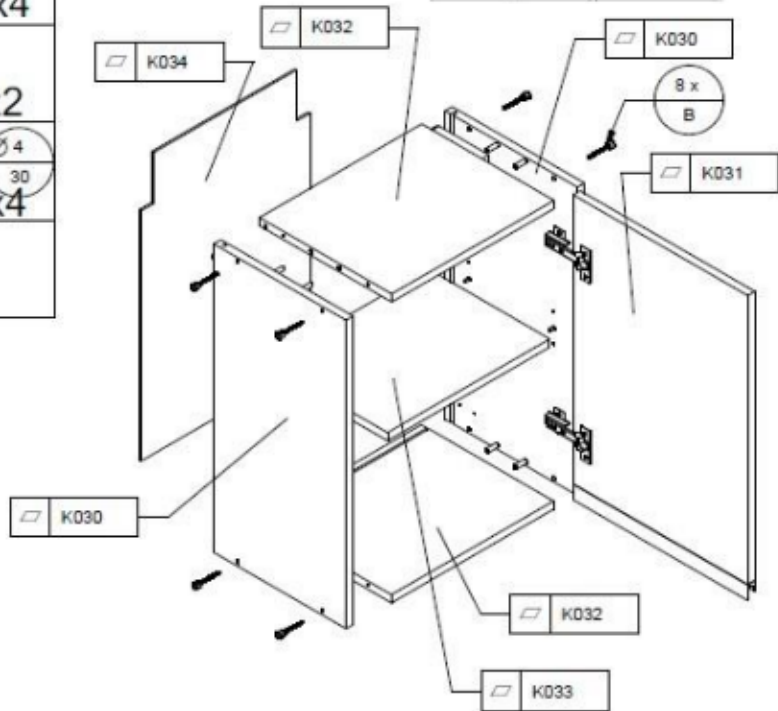




G30/40/60 1F

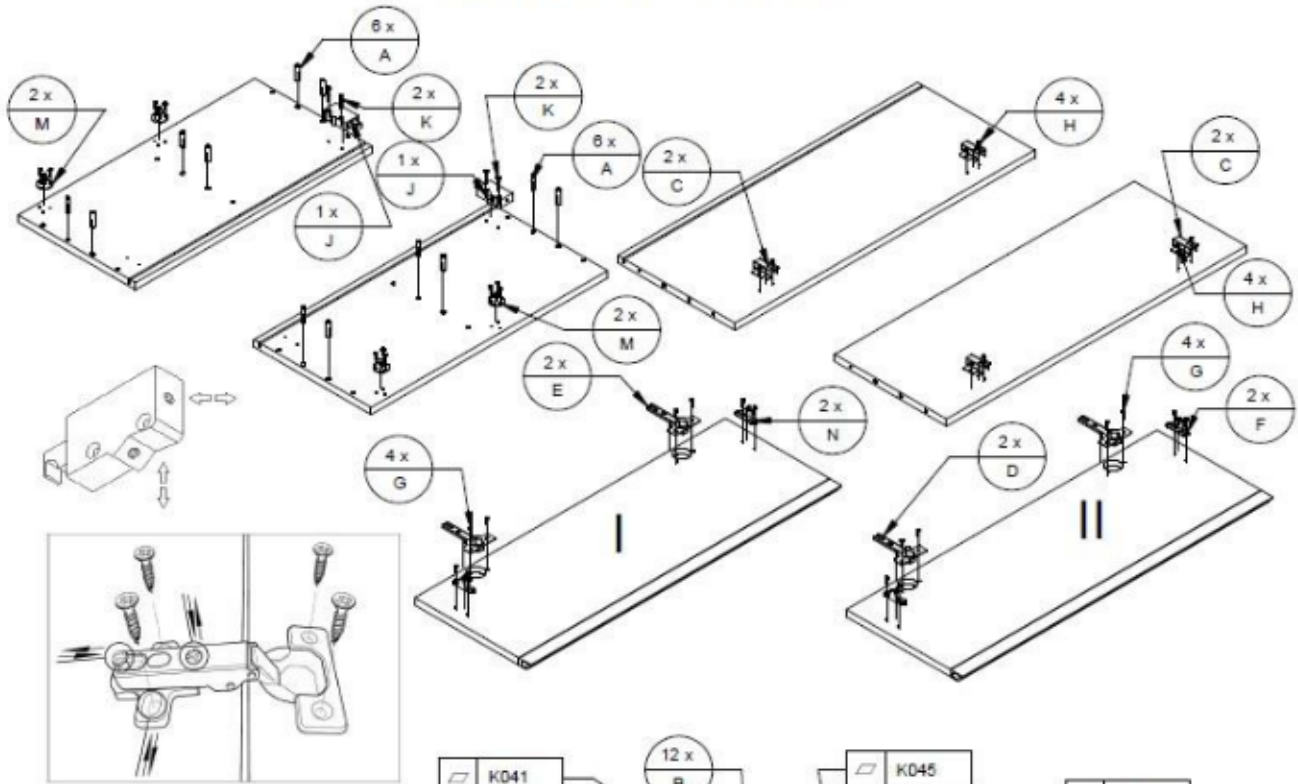


 x8	 x8	 x4
 x2	 x2	 x2
 x4	 x4	 x4

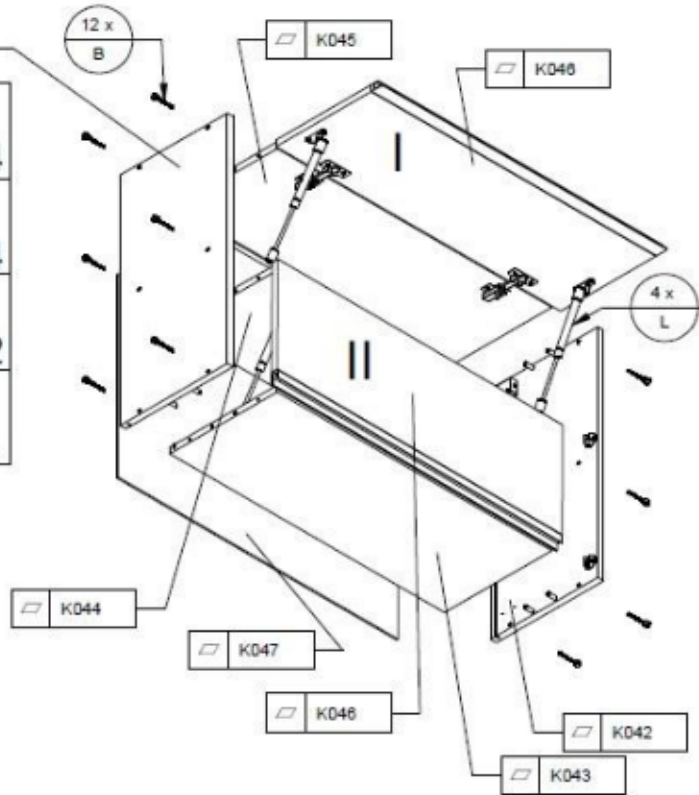


D

G60u/80u

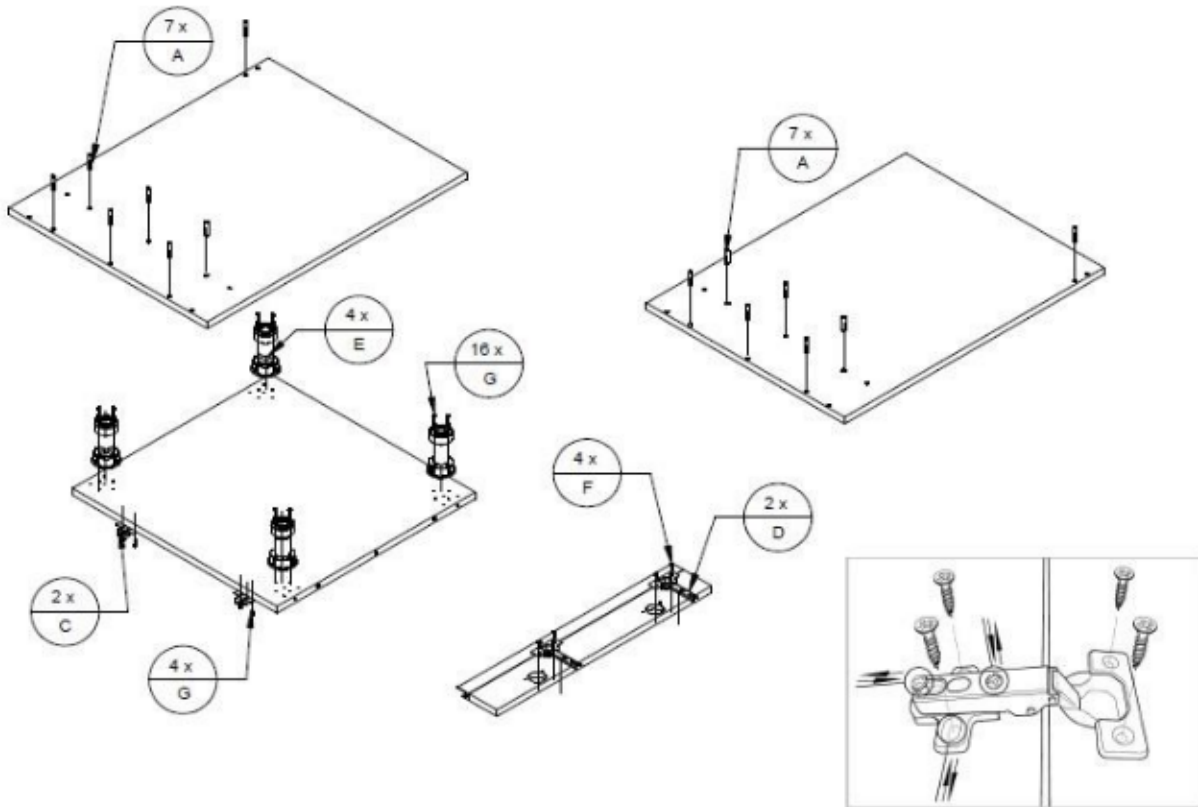


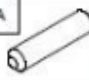

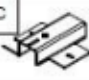




A	x12	B	x12	C	x4
D	x2	E	x2	F	x4
G	$\varnothing 3.5$ 16	H	$\varnothing 4$ 16	J	x2
K	$\varnothing 4$ 30	L	x4	M	x4

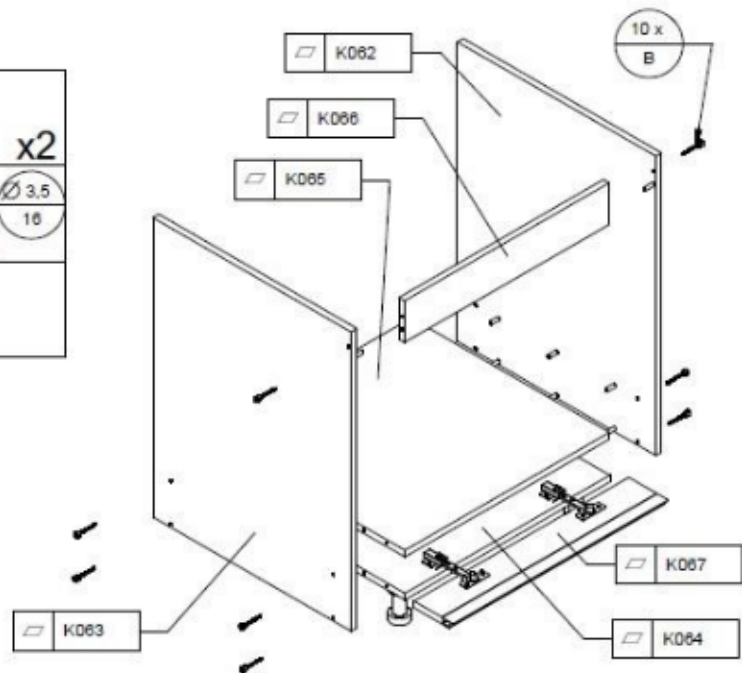


E

D 60 ku

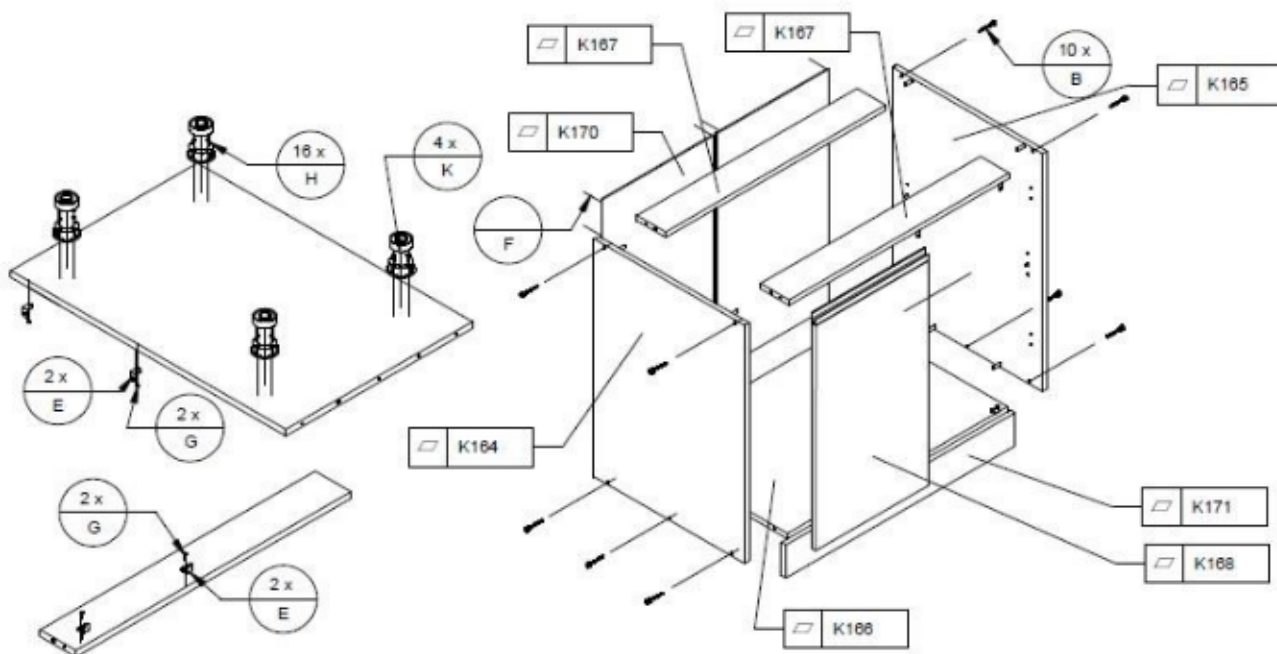
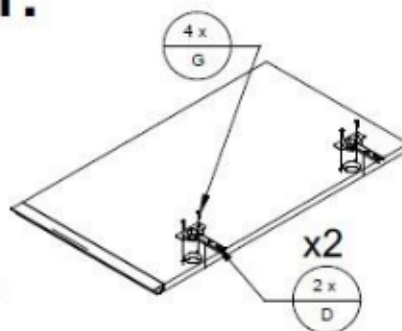
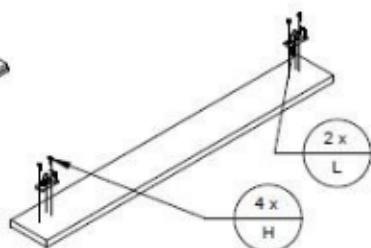
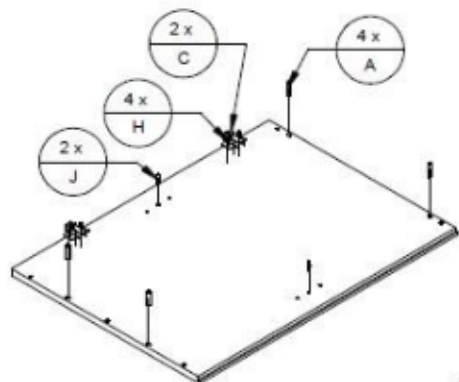


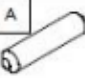










A	 x14	B	 x10	C	 x2
D	 x2	E	 x4	F	 x4 $\begin{matrix} \text{3,5} \\ \text{16} \end{matrix}$
G	 x20 $\begin{matrix} \text{4} \\ \text{16} \end{matrix}$				



F

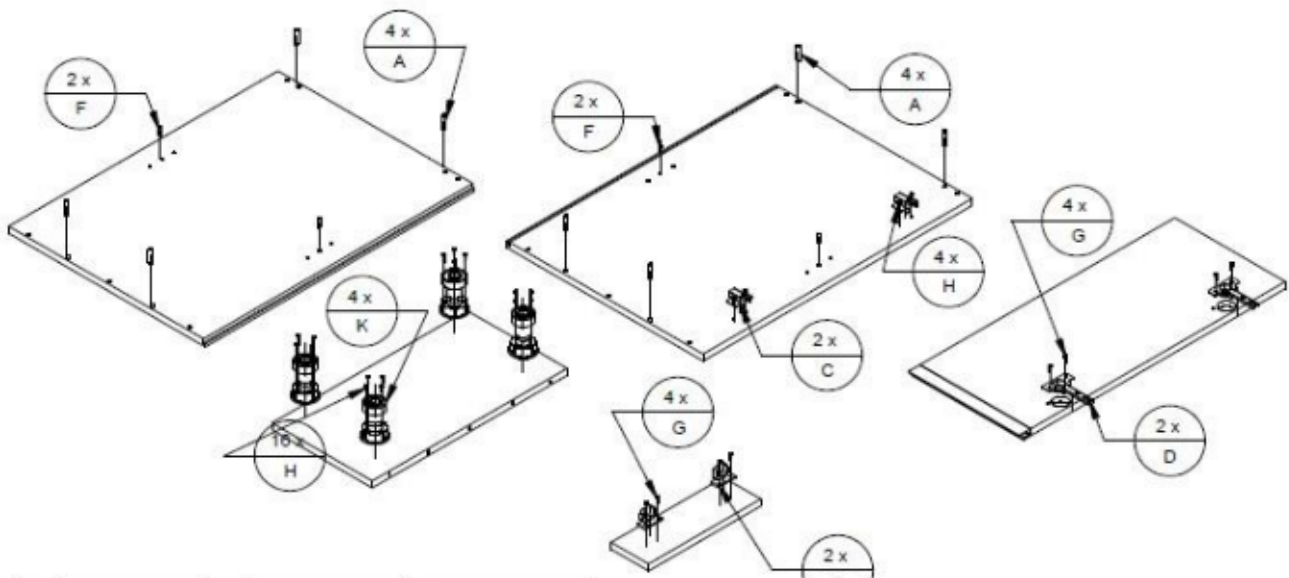
D 80zaśl.

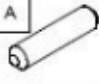











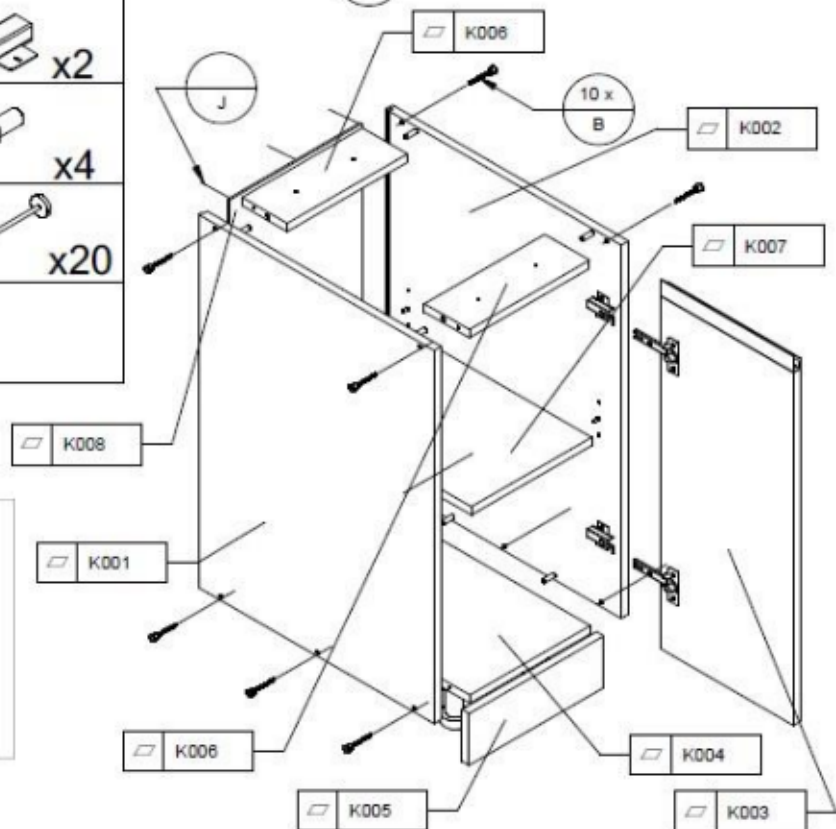
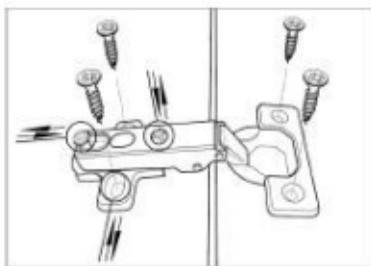
A	 x8	B	 x10	C	 x2	D	 x2	E	 x4
F	 x35	G	 3.5 x 16 x12	H	 4 x 16 x24	J	 x4	K	 x4
L	 x2								

G H

D 30/40/60 1F



A	B	C
 x8	 x10	 x2
D	E	F
 x2	 x2	 x4
G	H	J
 x8	 x20	 x20
K		
 x4		



I

D 60 3sz/80 3sz

