



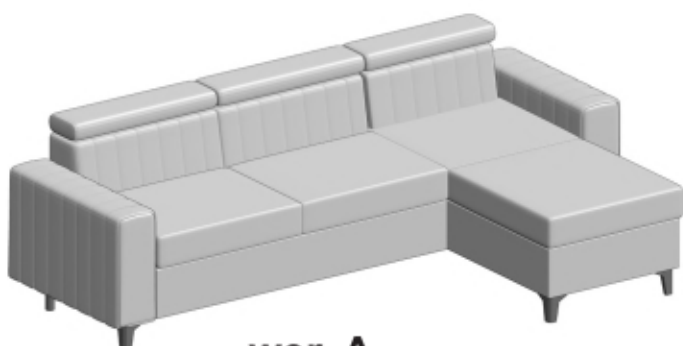
60 min



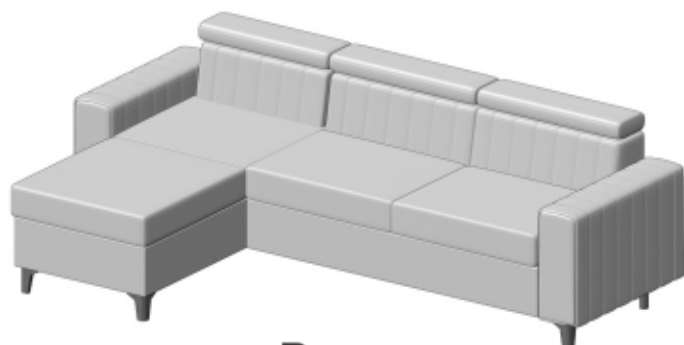
HDPE



LDPE



wer. A



wer. B



str 6

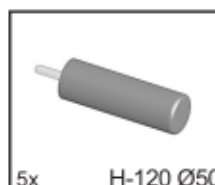


4x



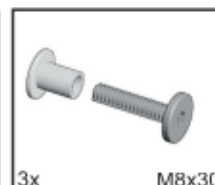
12x

5x40



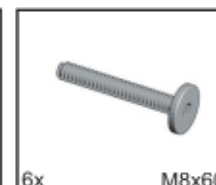
5x

H-120 Ø50



3x

M8x30

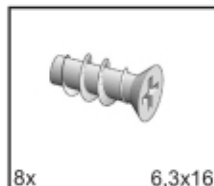


6x

M8x60



4x

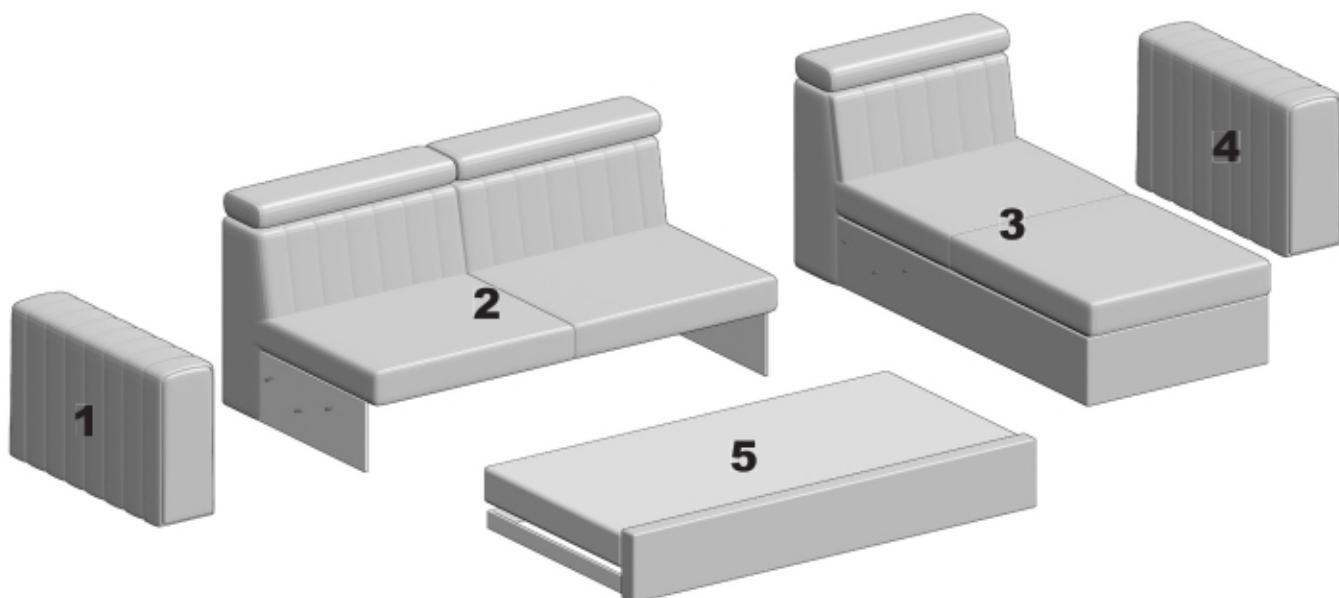


8x

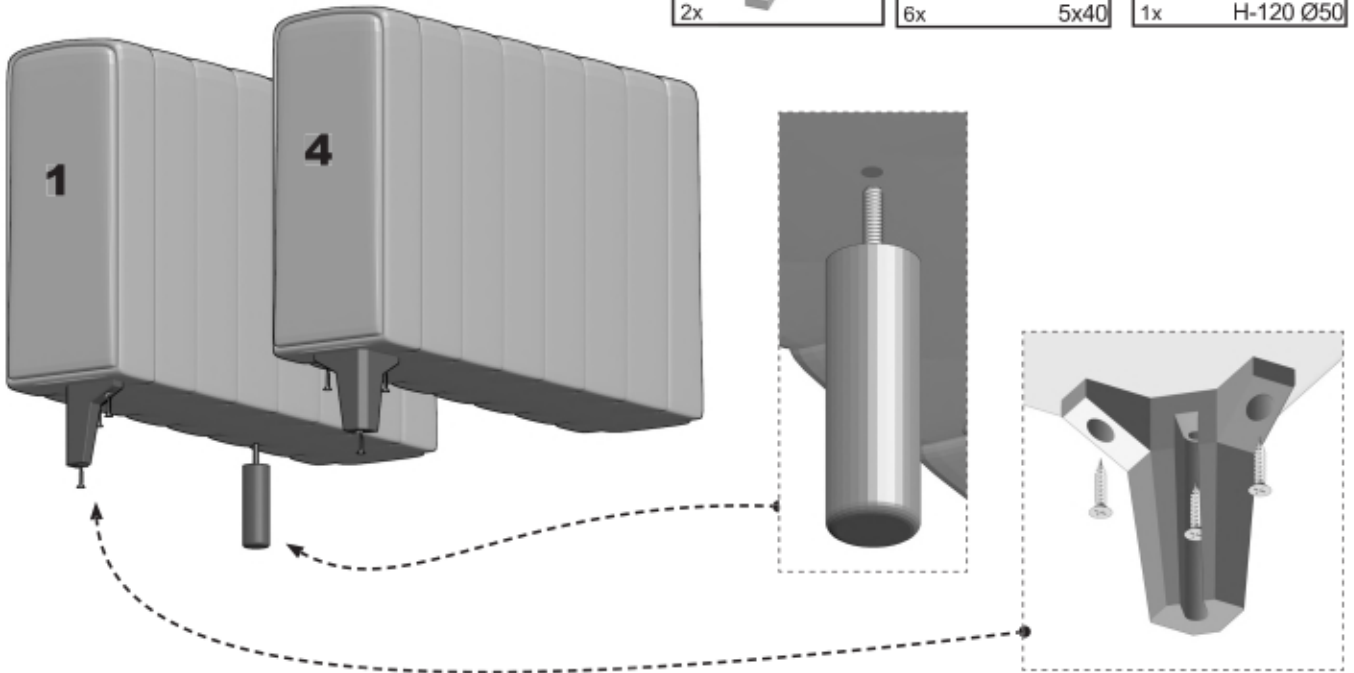
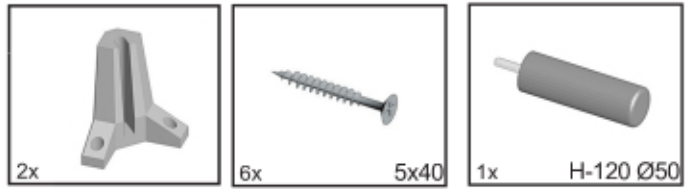
6,3x16



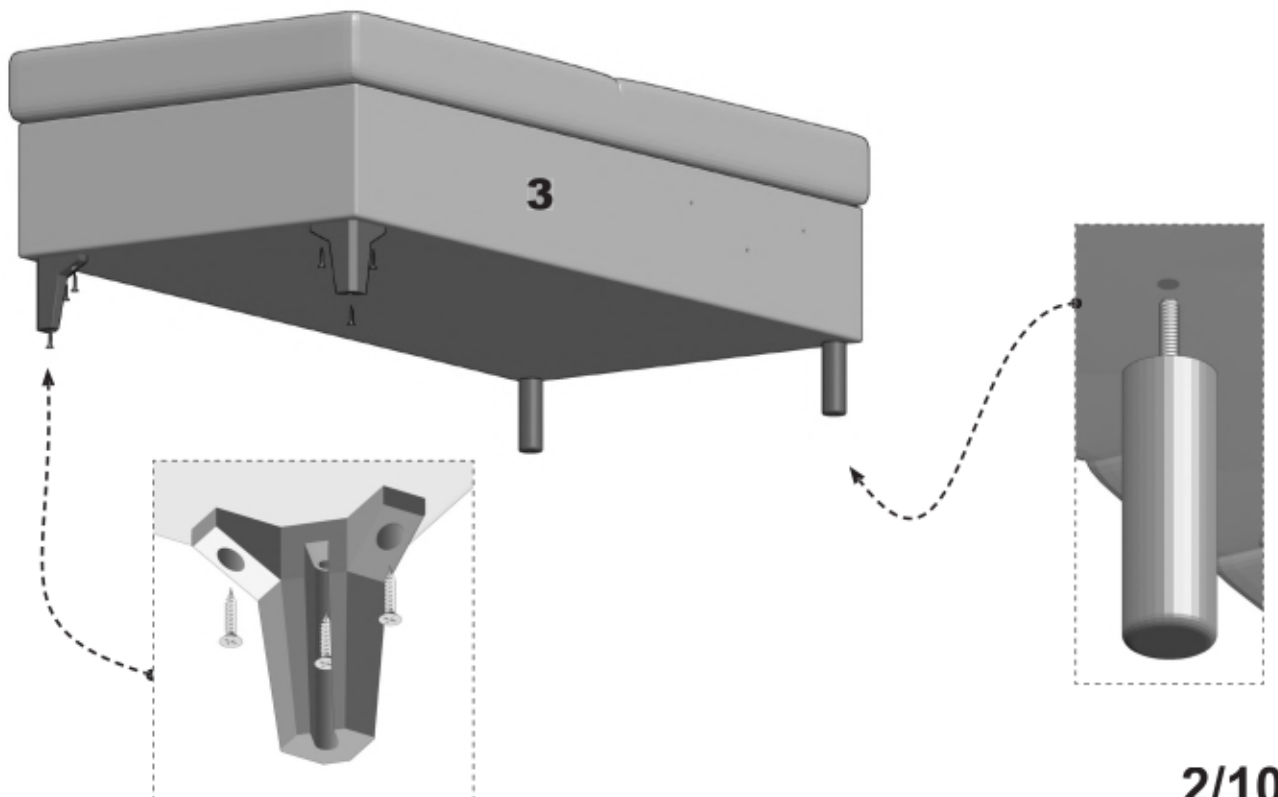
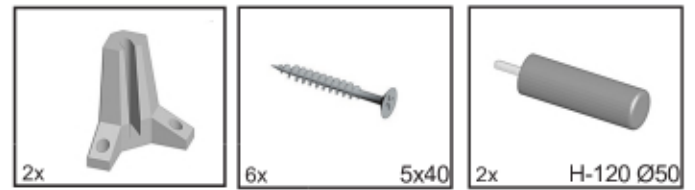
2x



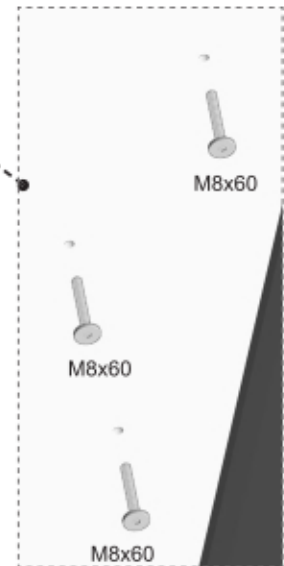
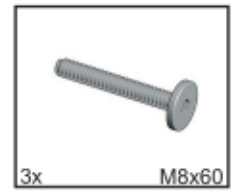
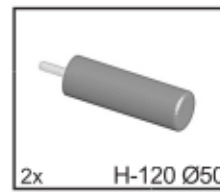
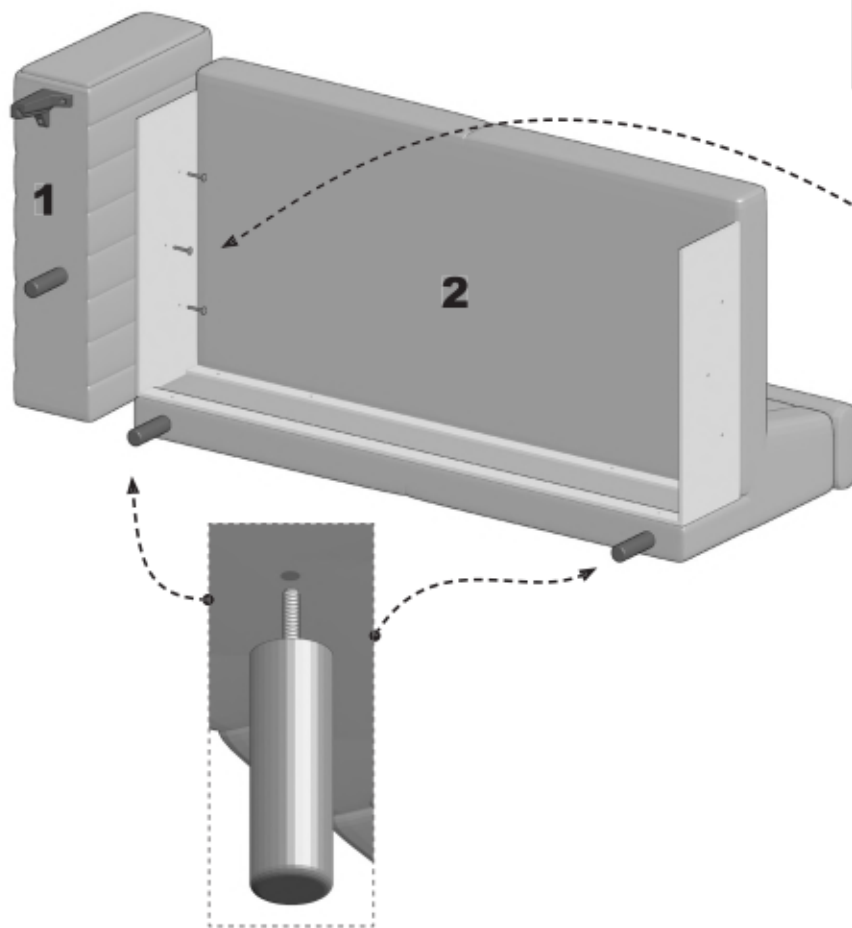
1 wer. A



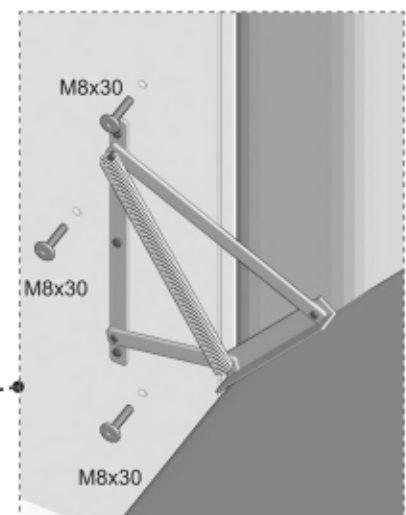
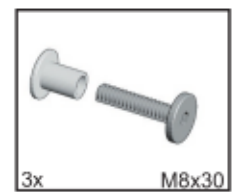
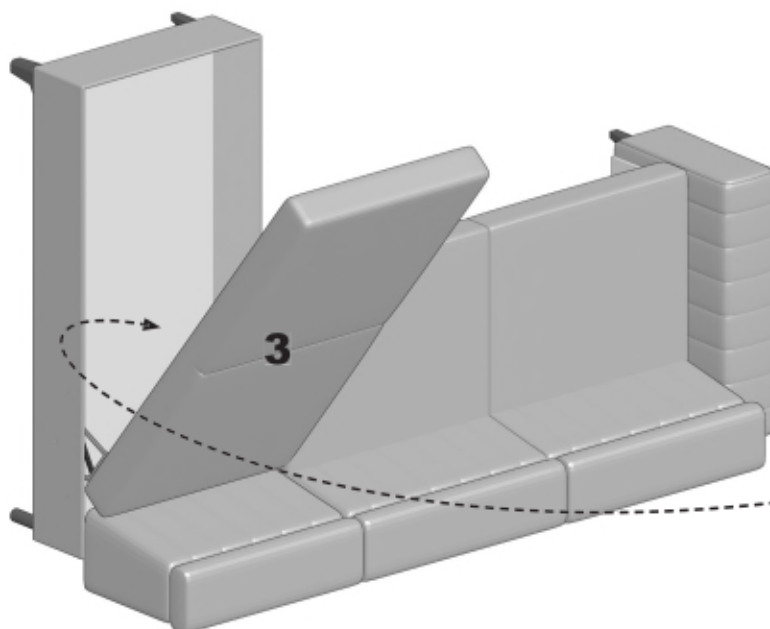
2 wer. A



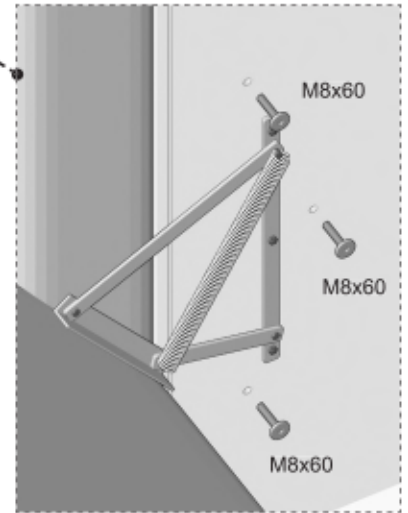
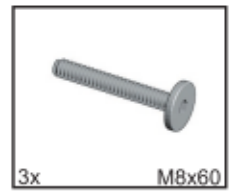
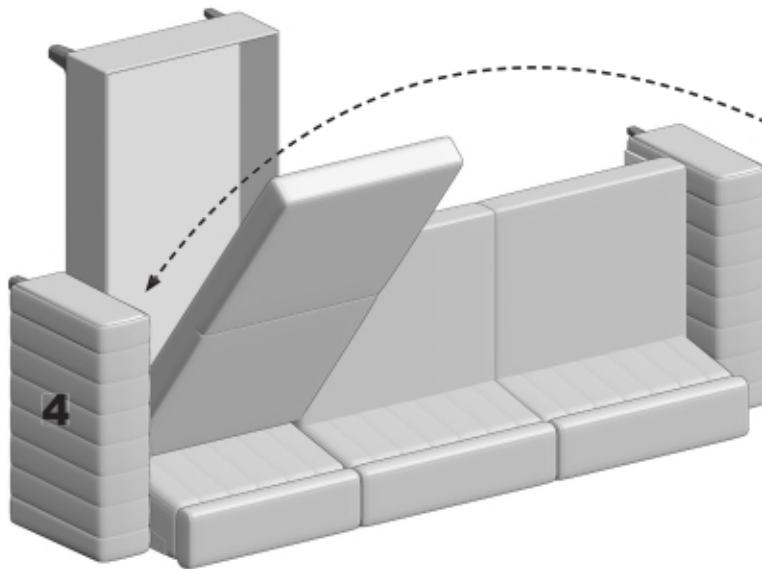
3 wer. A



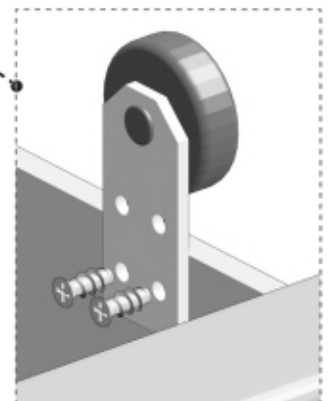
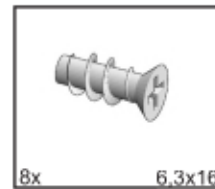
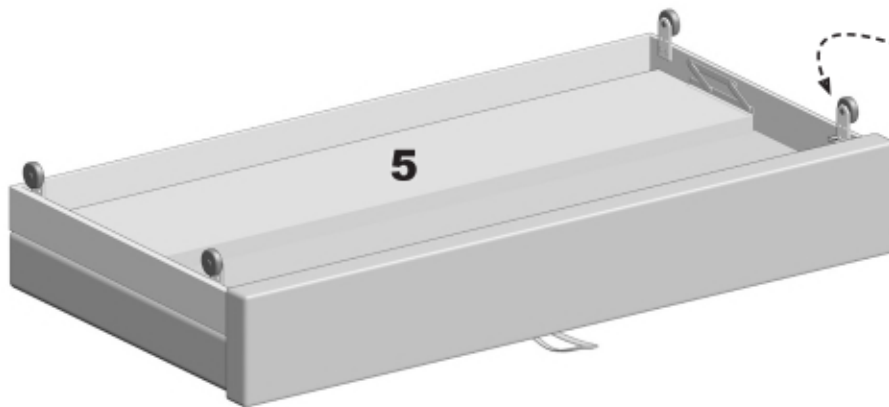
4 wer. A



5 wer. A



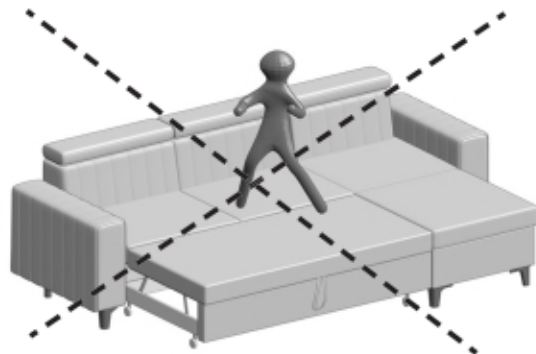
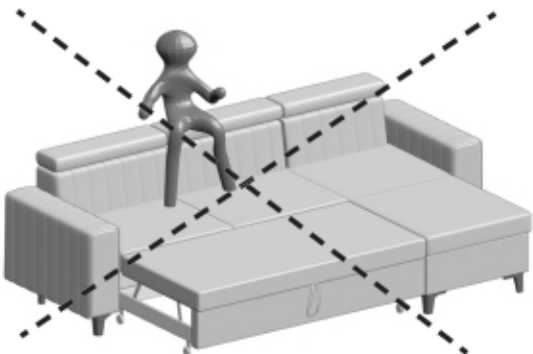
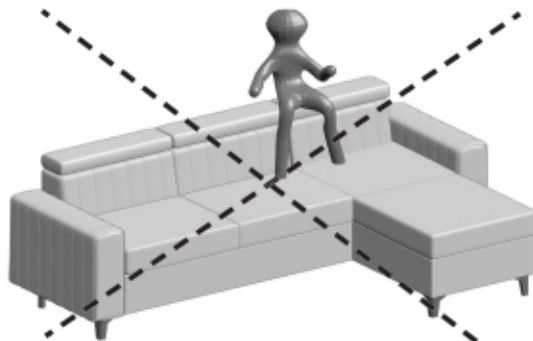
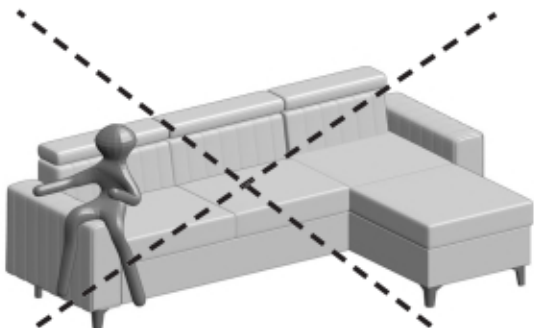
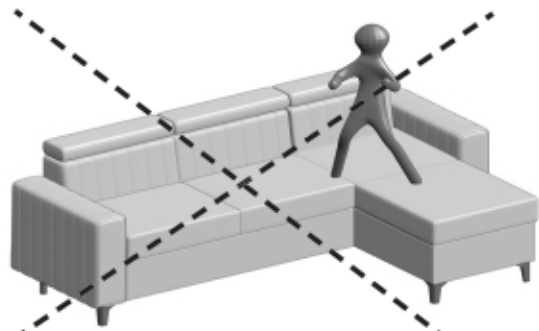
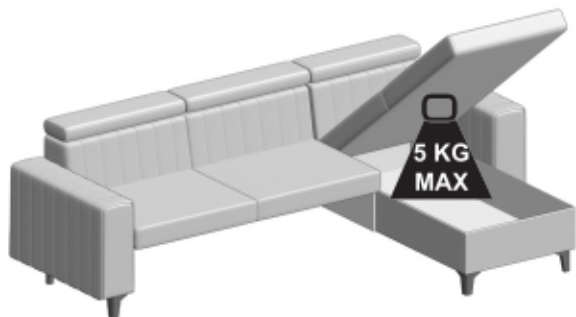
6 wer. A



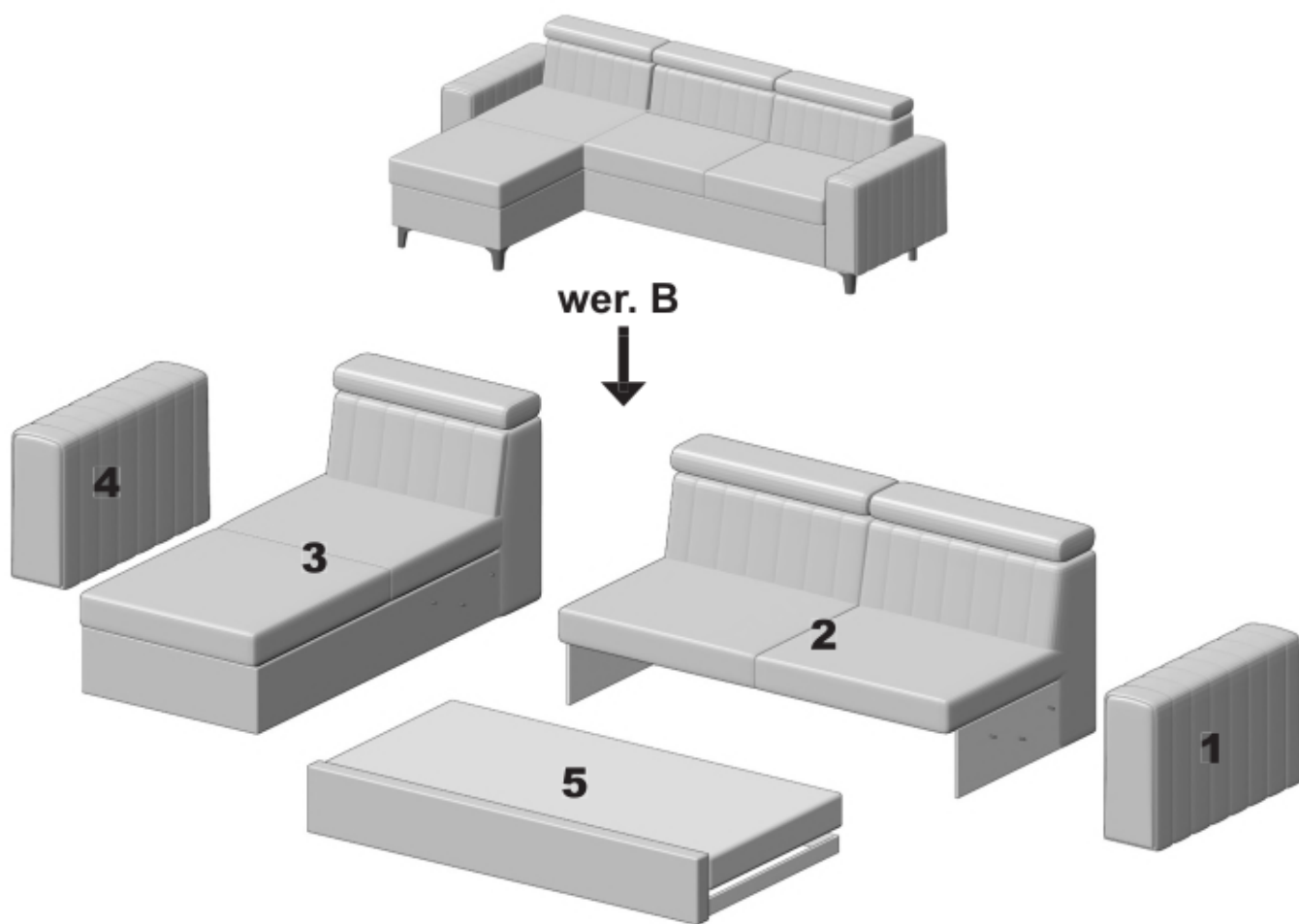
7 wer. A



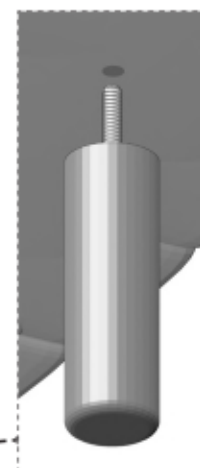
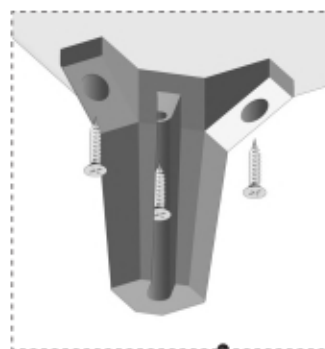
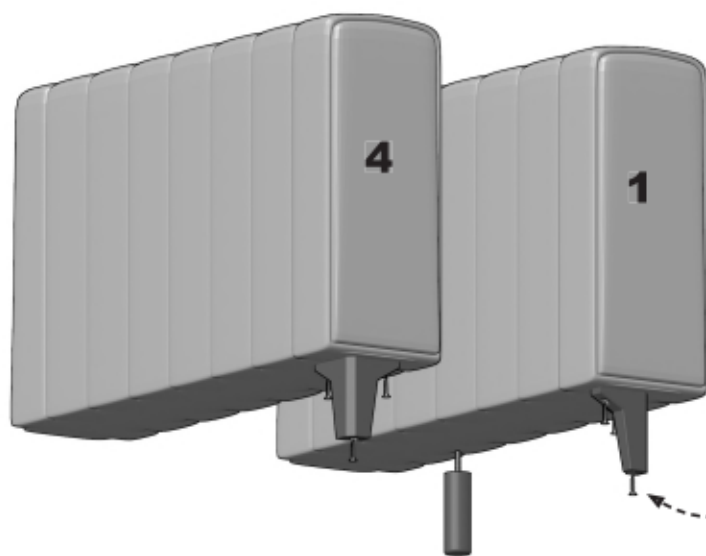
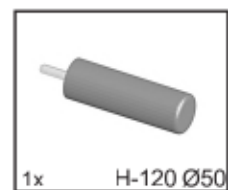
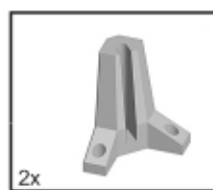
8 wer. A



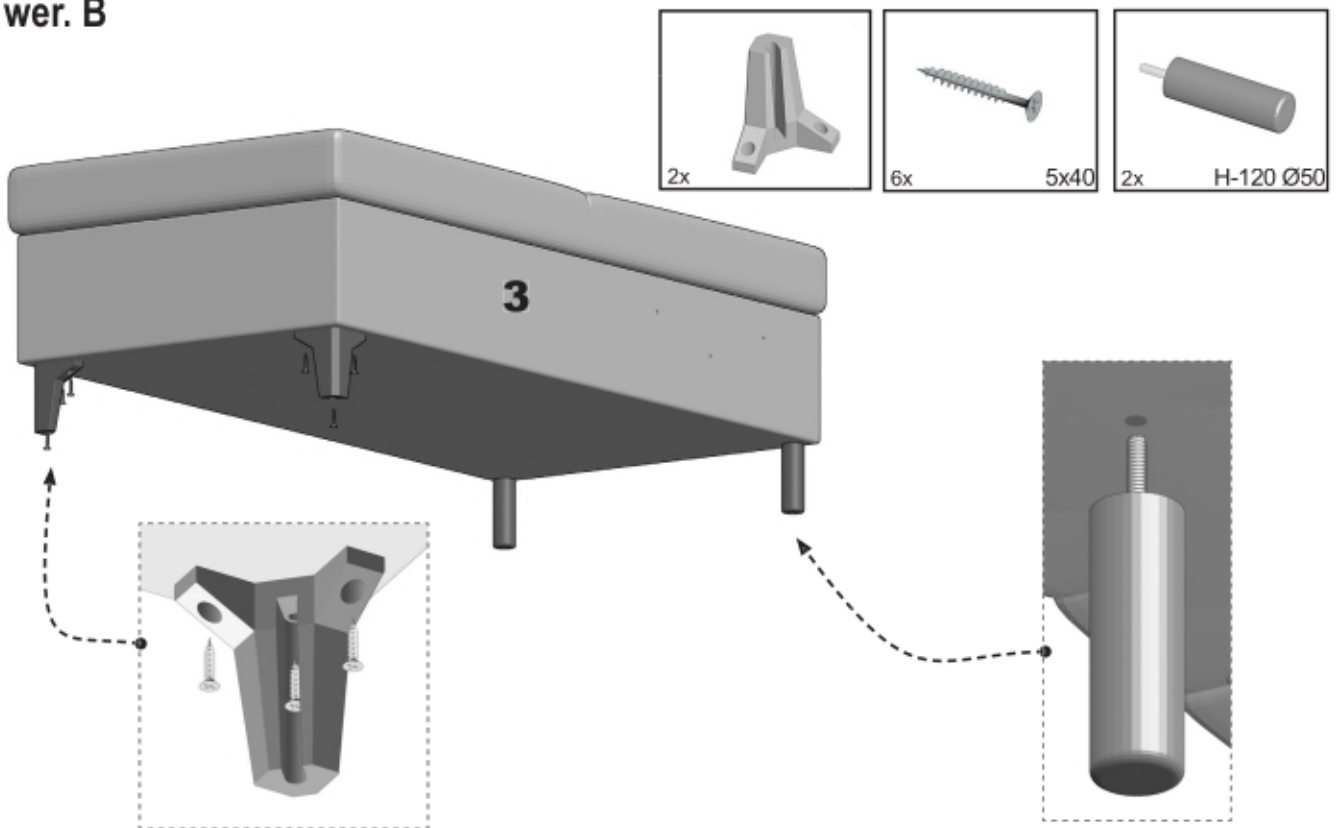
wer. B



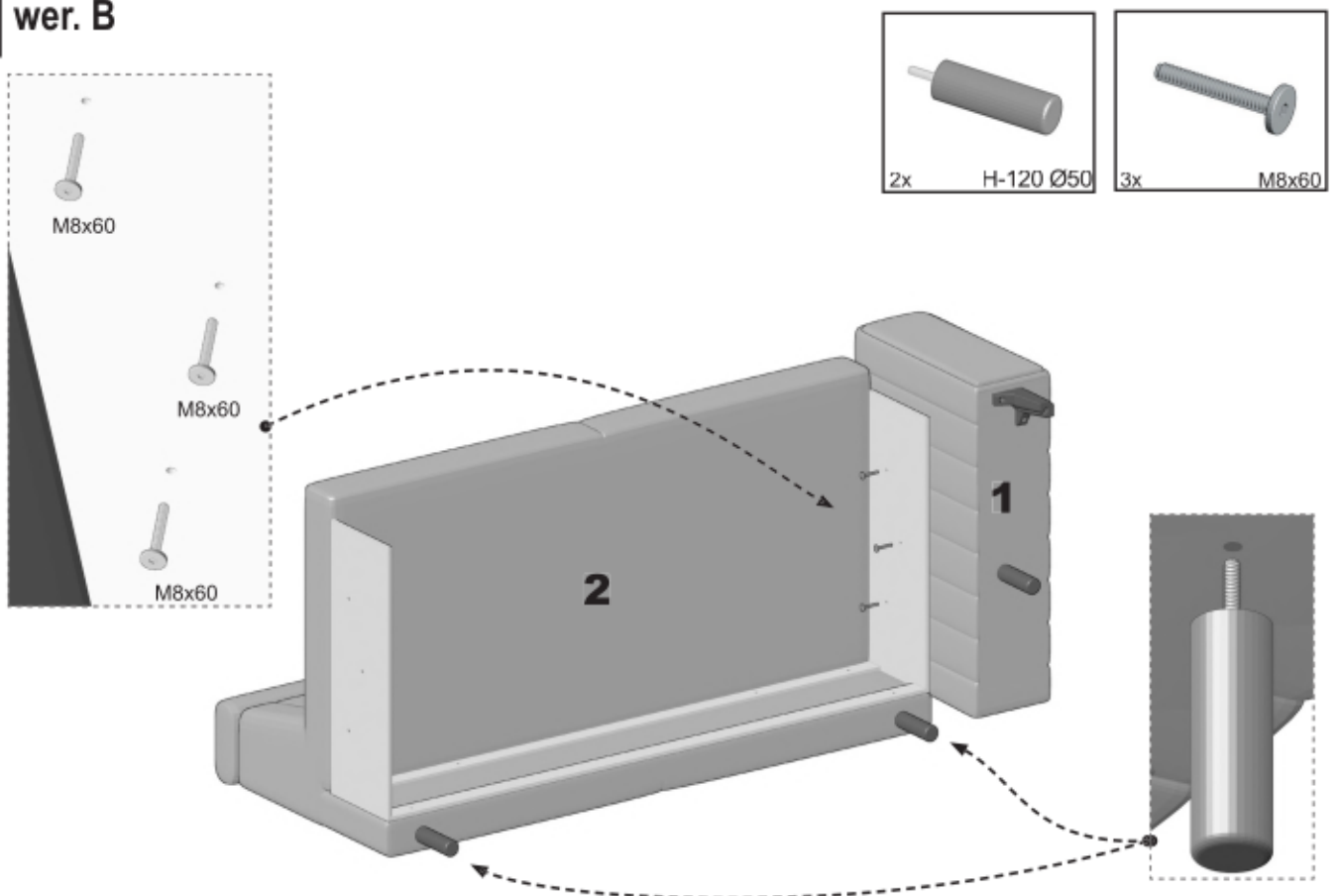
1 wer. B



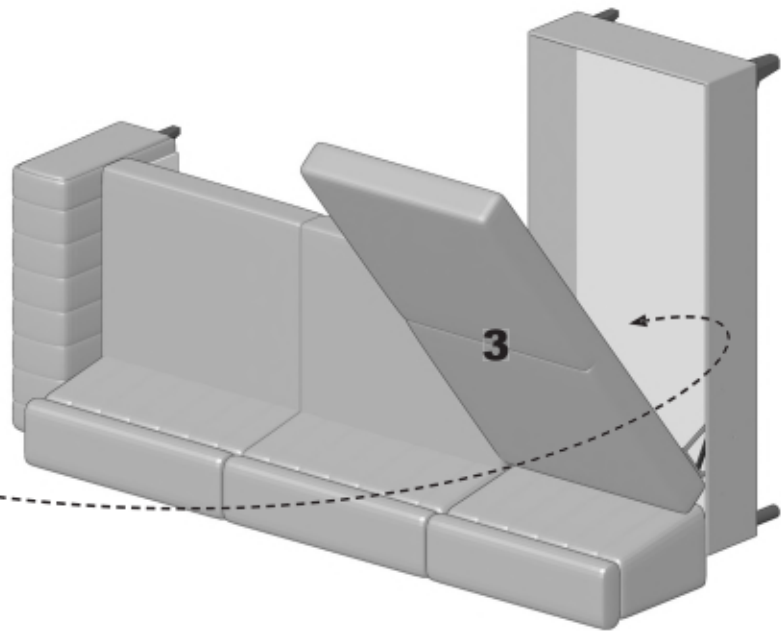
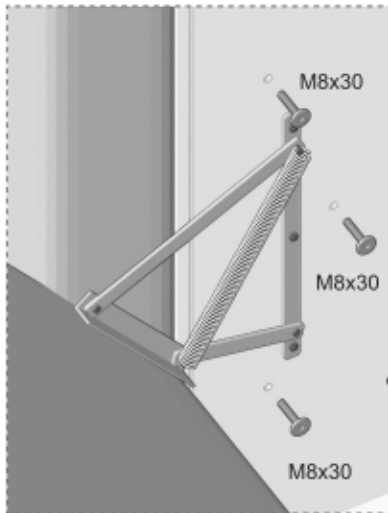
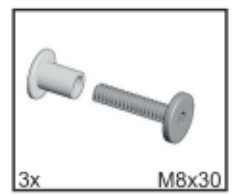
2 wer. B



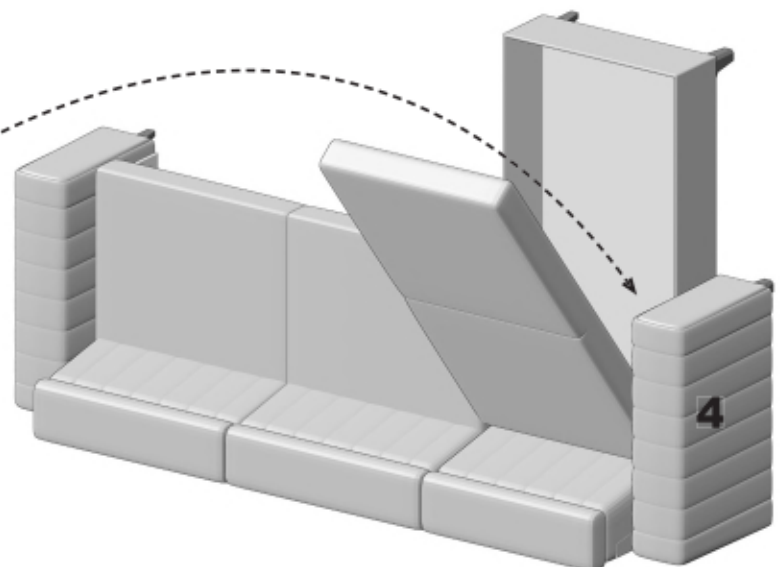
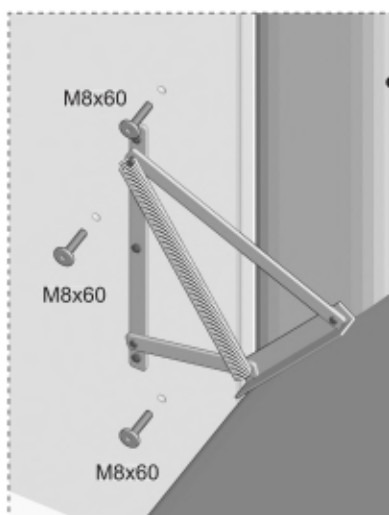
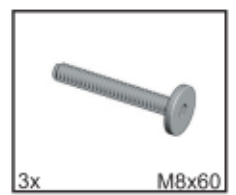
3 wer. B



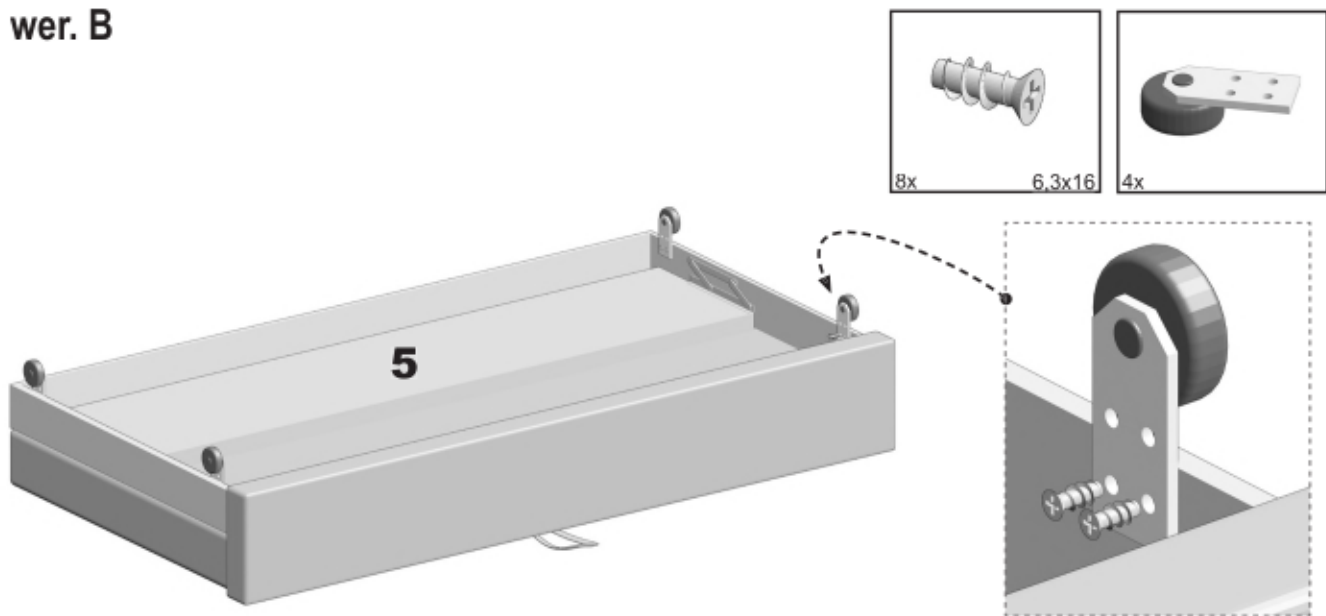
4 wer. B



5 wer. B



6 wer. B



7 wer. B



8 wer. B

