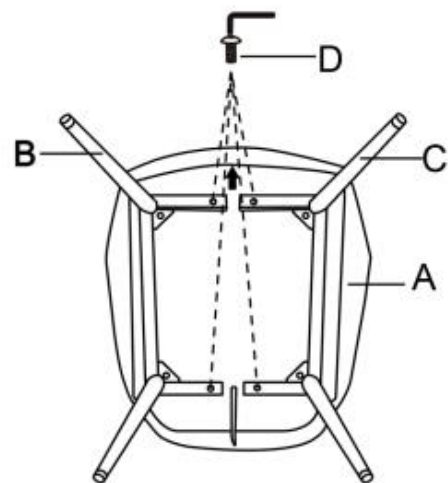
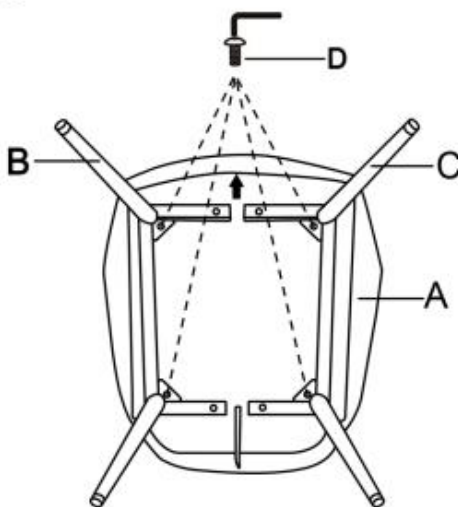


# TYRION

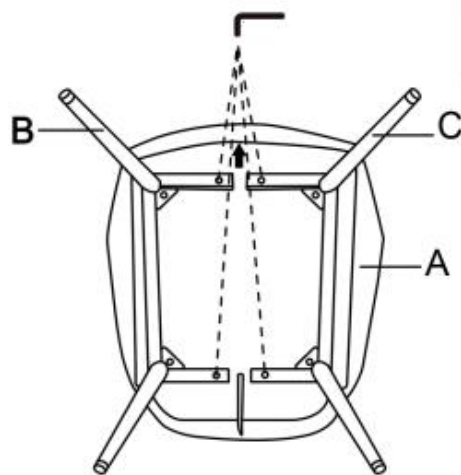
1



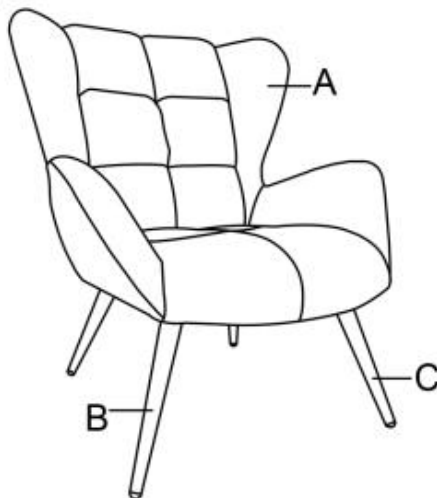
2



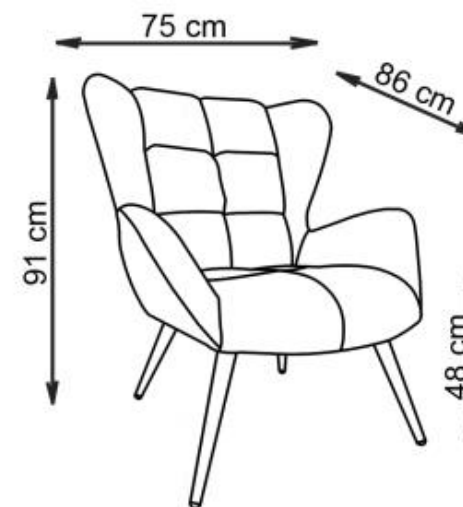
3



4



A		1
B		1
C		1
D	 M6*20MM	4
E	 M6*35MM	4



max. 120 kg