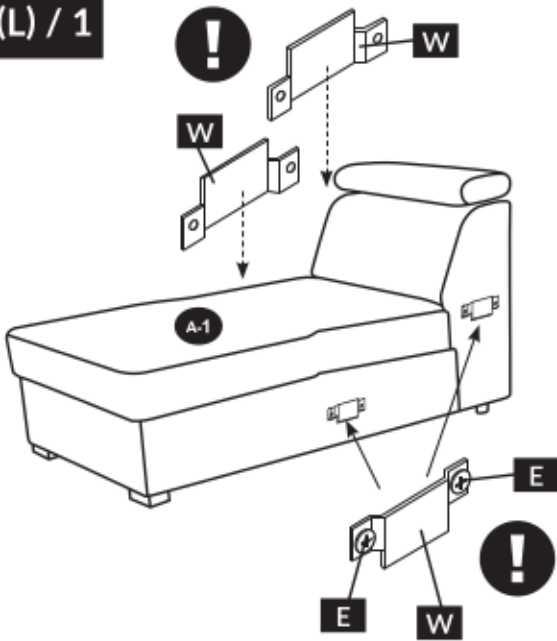
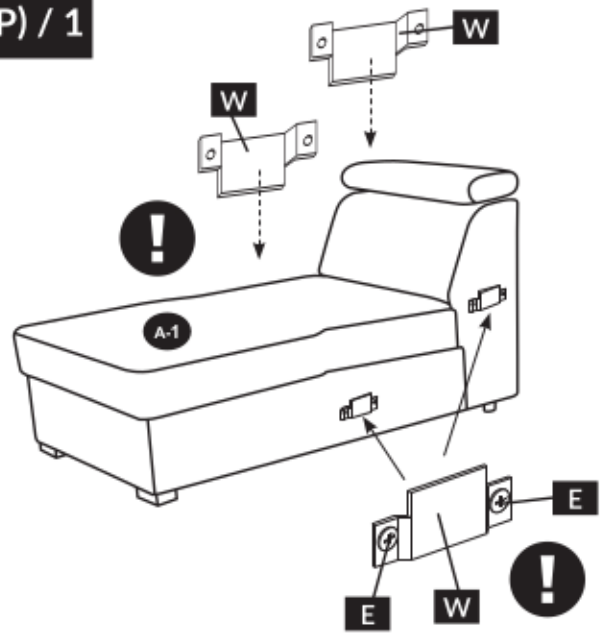


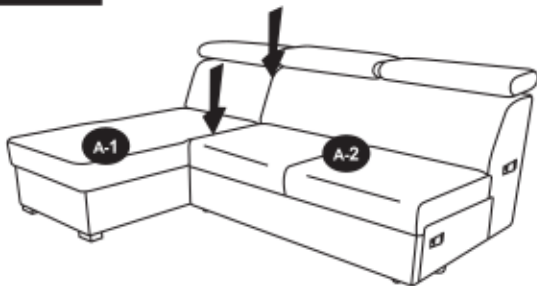
A (L) / 1



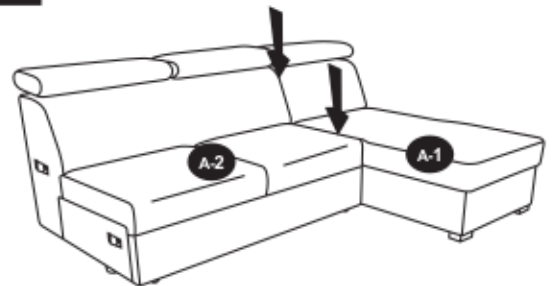
A (P) / 1



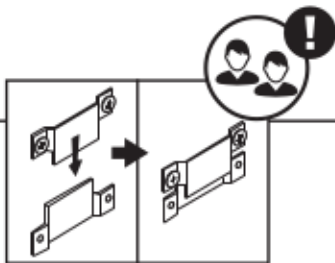
A (L) / 2



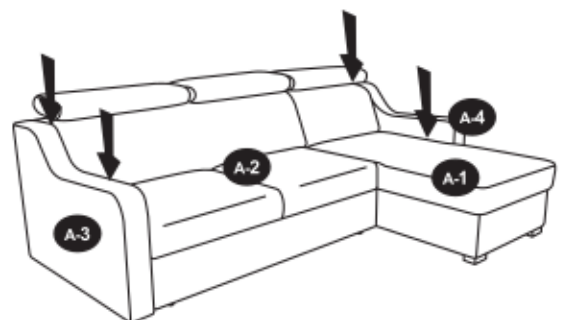
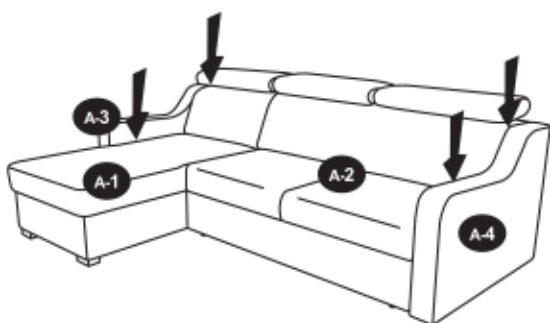
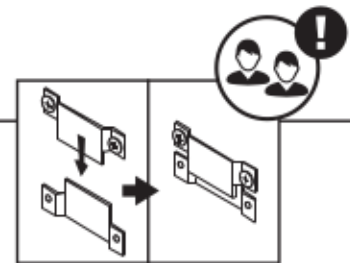
A (P) / 2



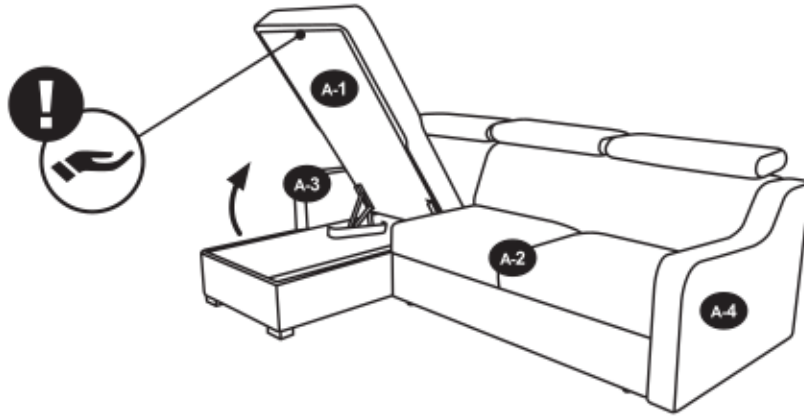
A (L) / 3



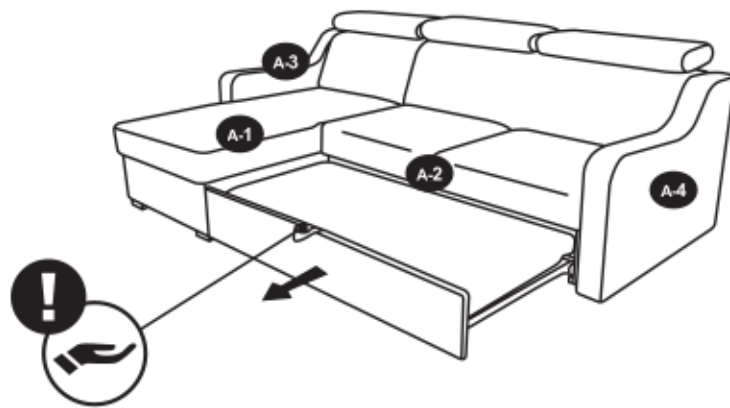
A (P) / 3



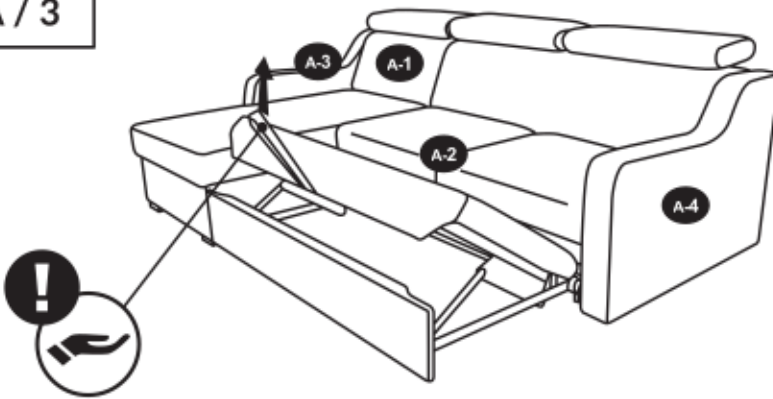
A / 1



A / 2



A / 3



A / 4

