

# OMEGA

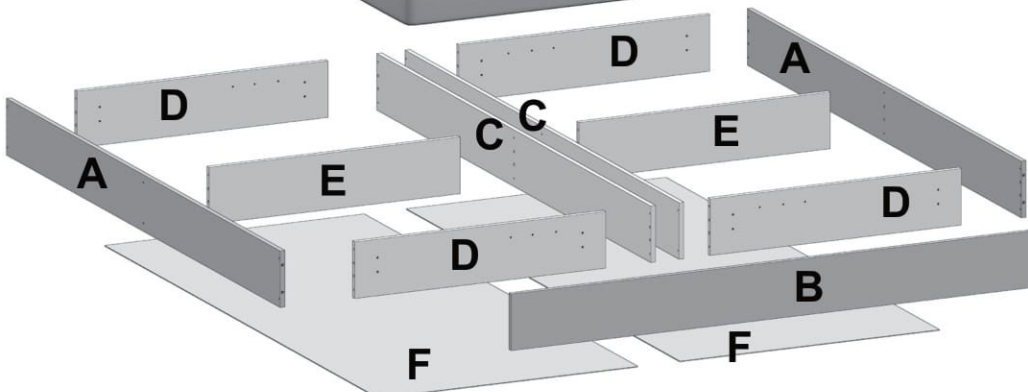
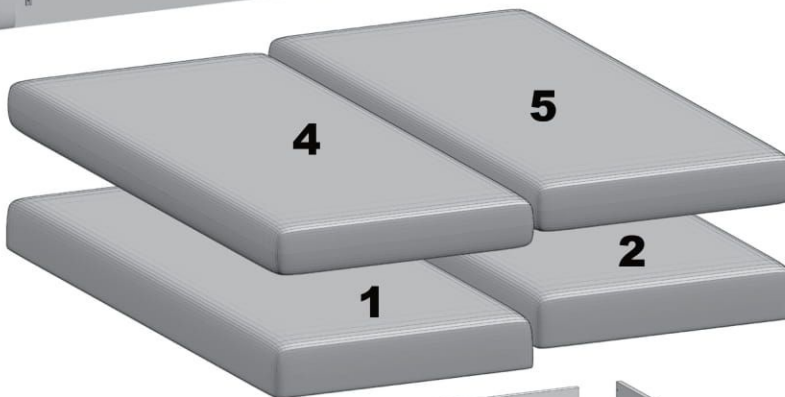
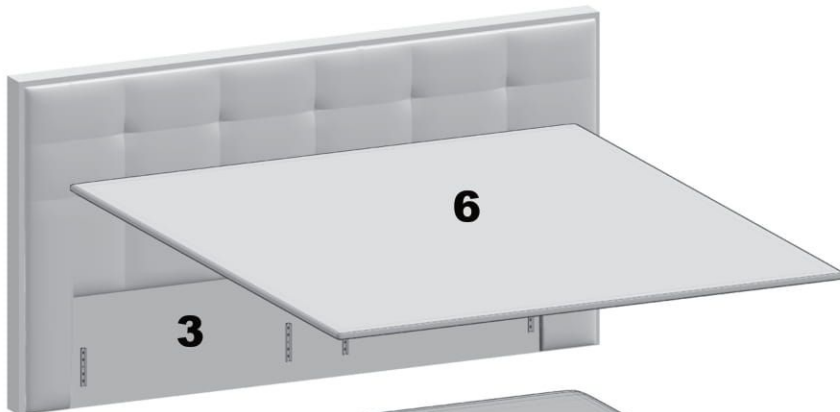
12072021



HDPE

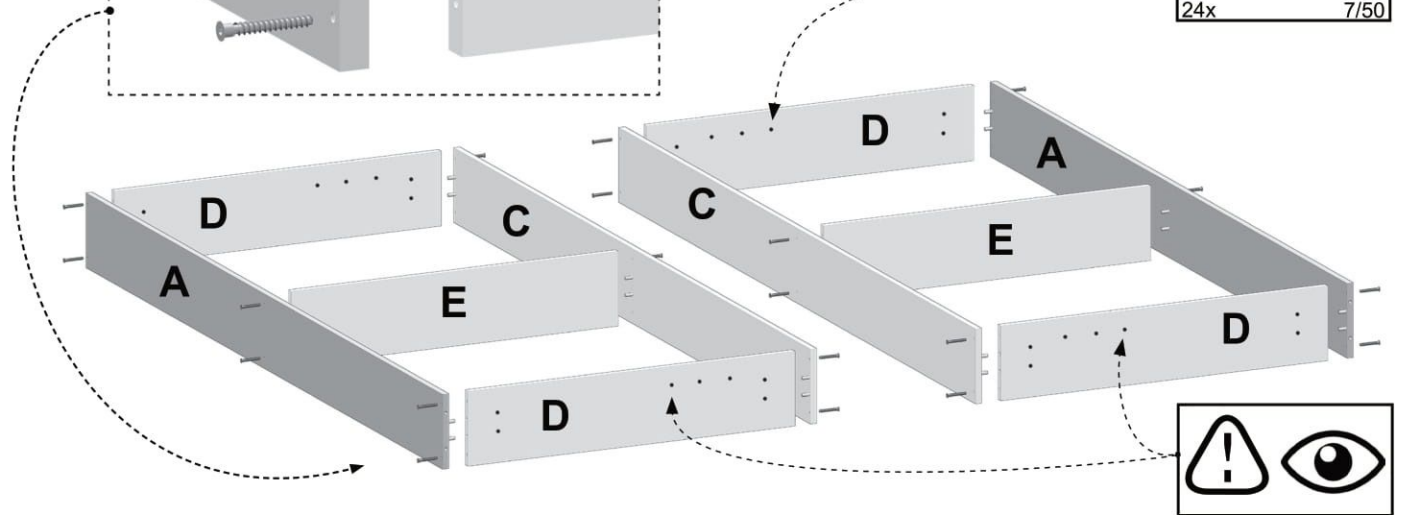
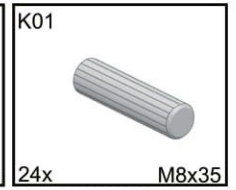
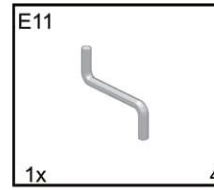
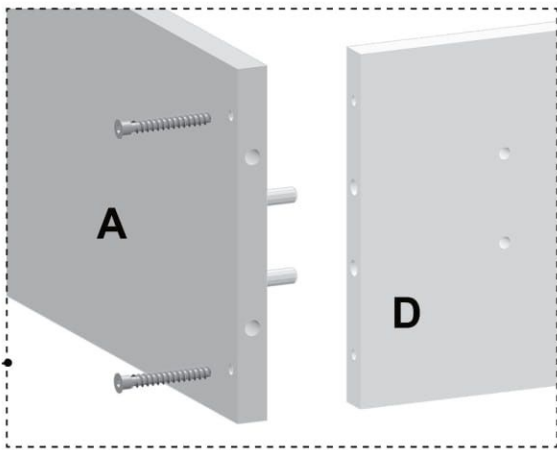


LDPE

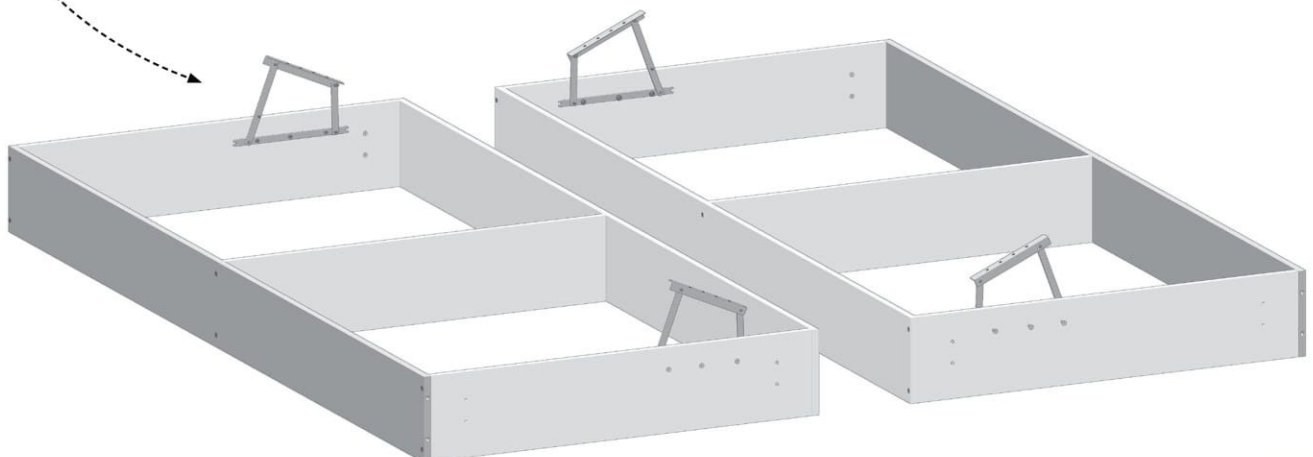
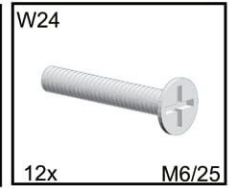
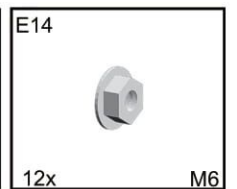
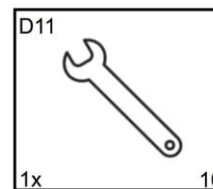
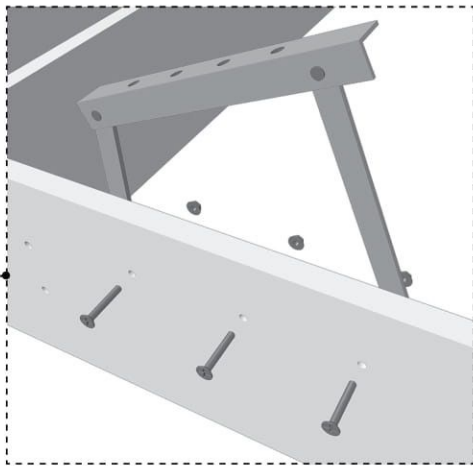


# FREDERIC

1

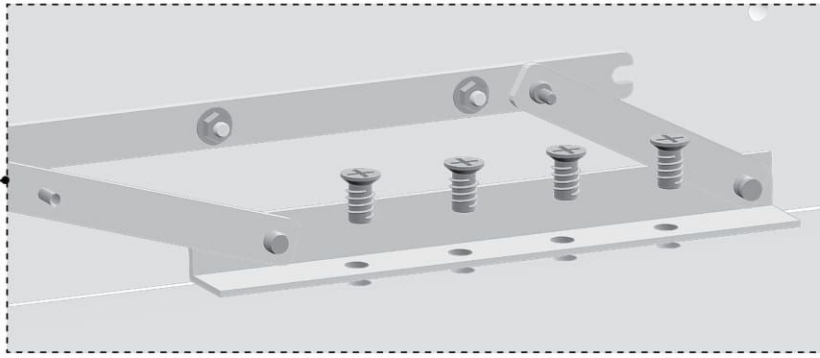


2



# FREDERIC

**3**



W26

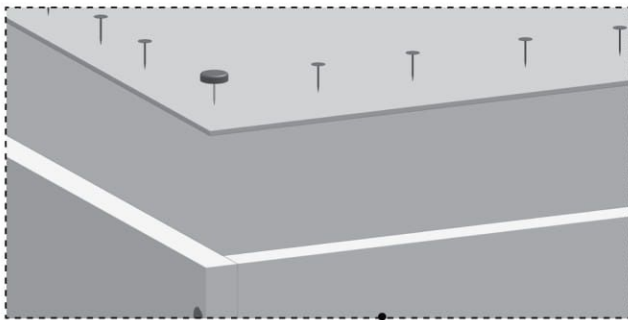


16x

6.3/24mm



**4**



Z11



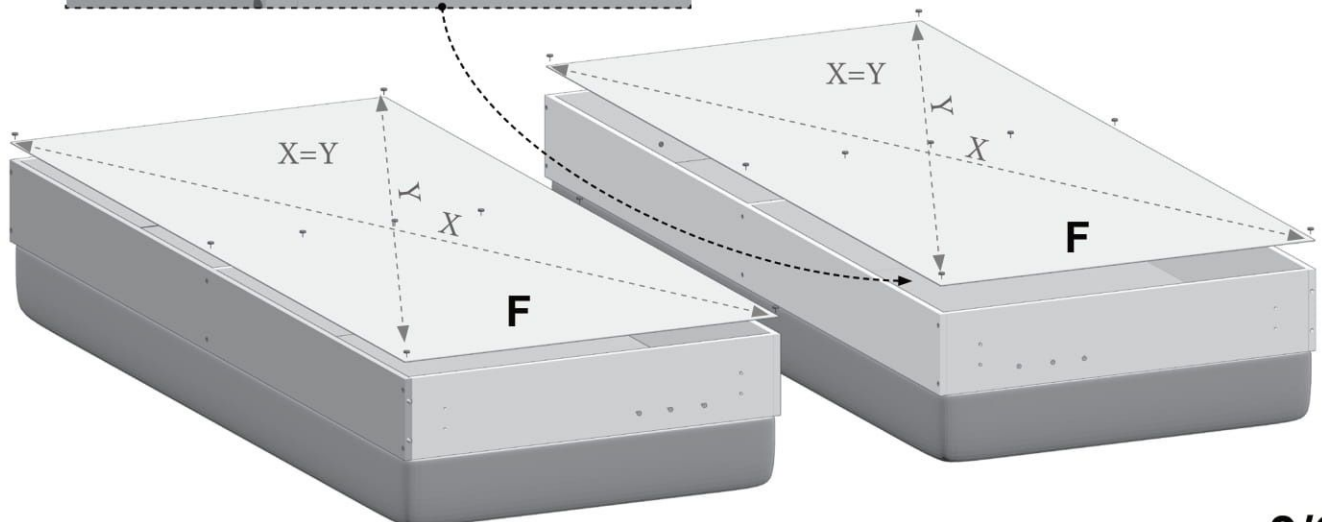
100x

1.4/20

D08

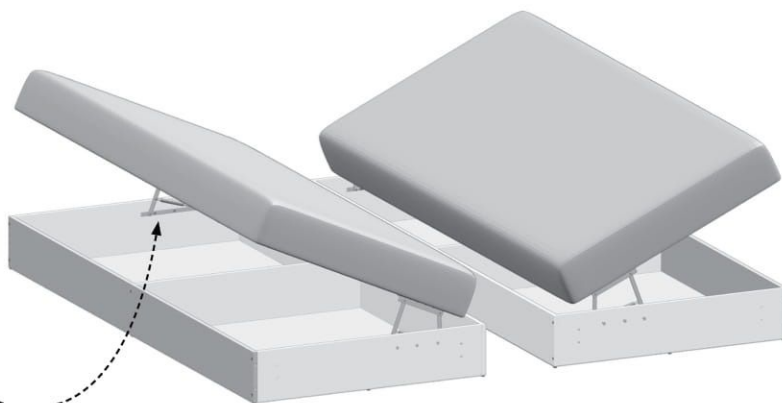
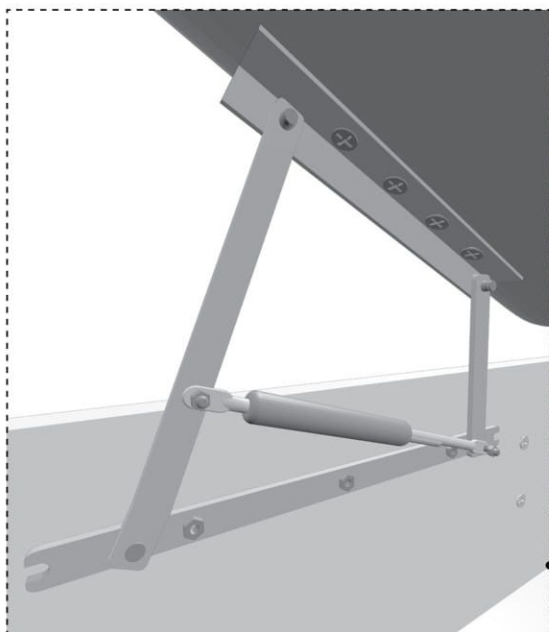
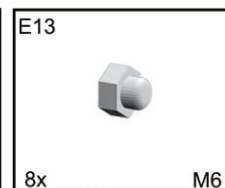
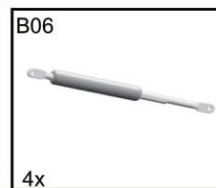
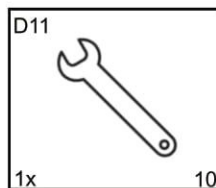


18x

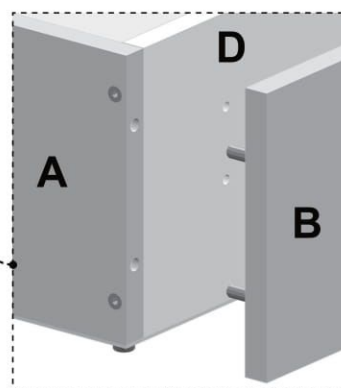
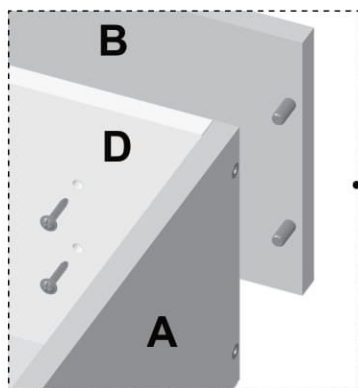
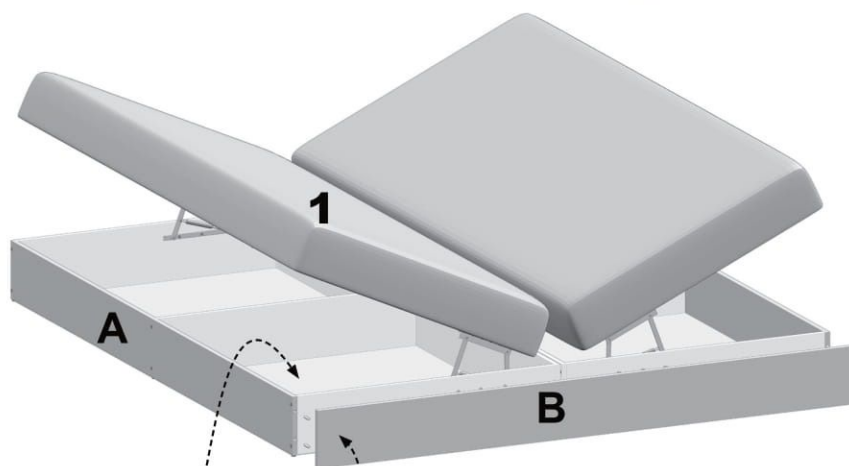
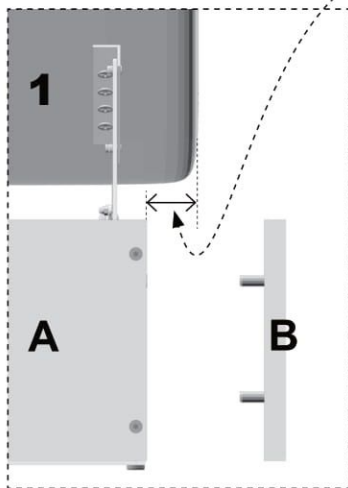
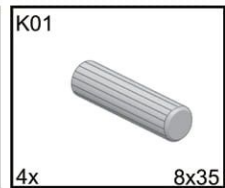
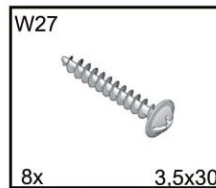


# FREDERIC

**5**



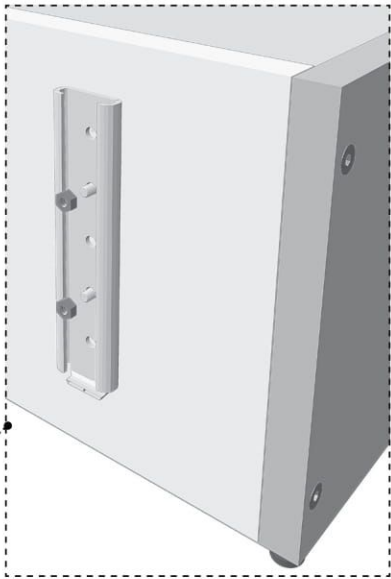
**6**



# OMEGA

12072021

**7**



G06- B



4x

E05



8x

M6

W24



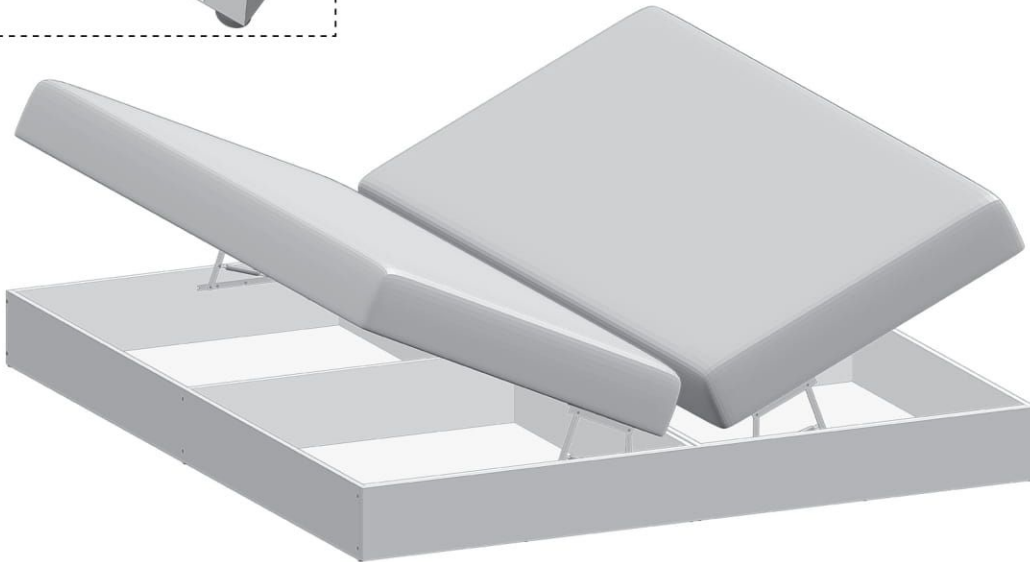
8x

M6/25mm

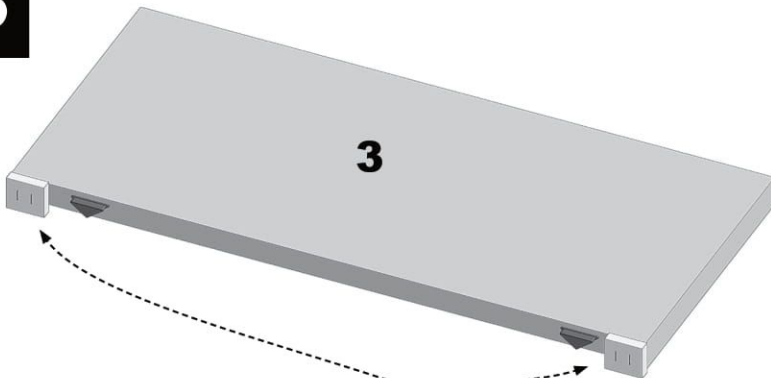
D11



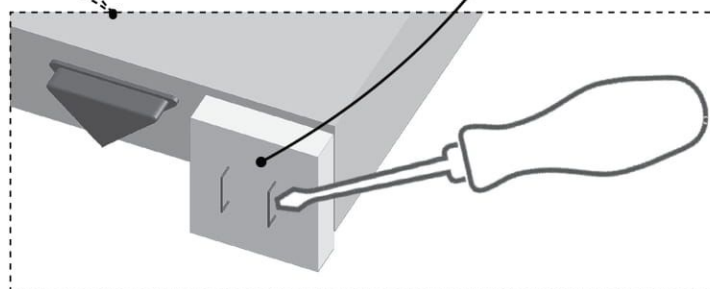
10



**8**



**3**

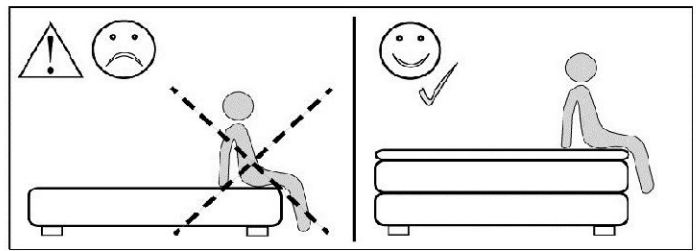
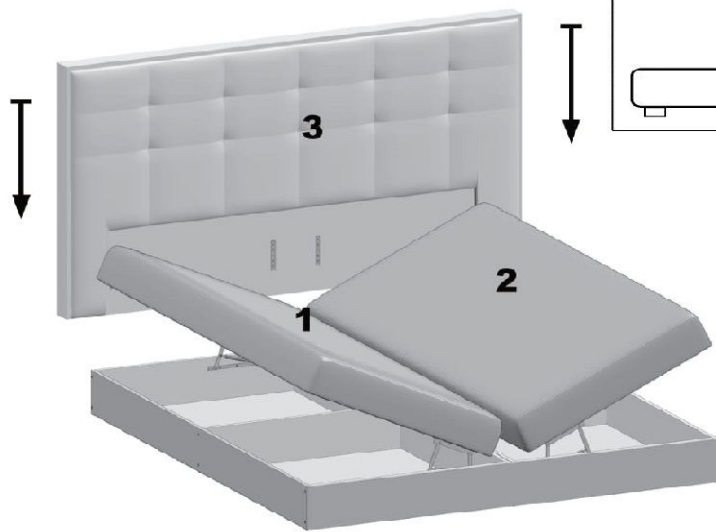


5/6

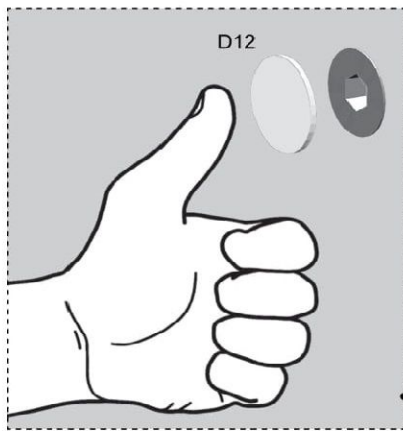


# FREDERIC

**9**



**10**



**11**



**12**

