

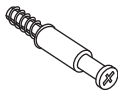
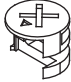

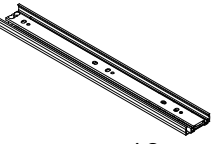

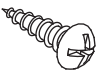

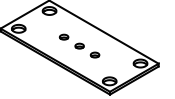

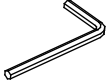
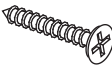
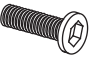



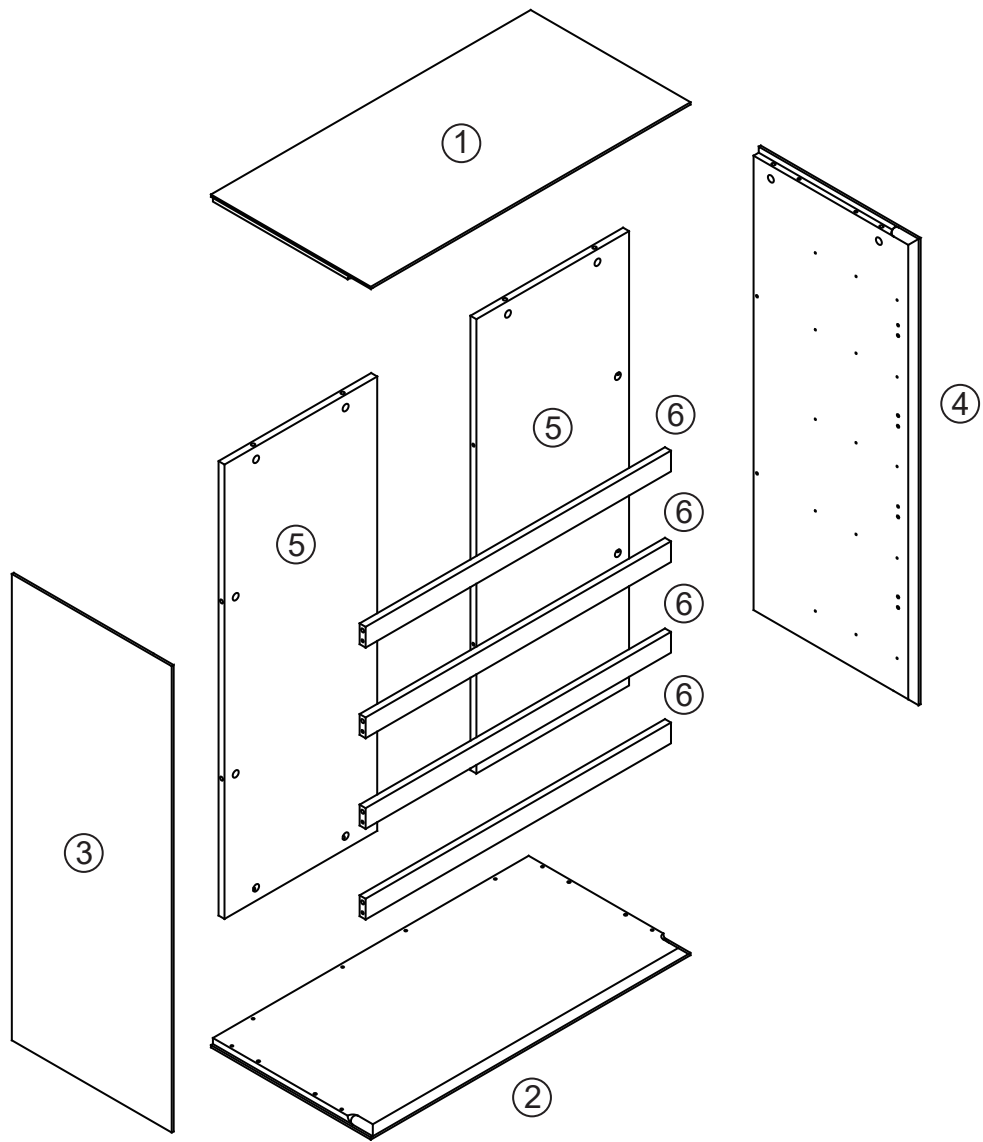
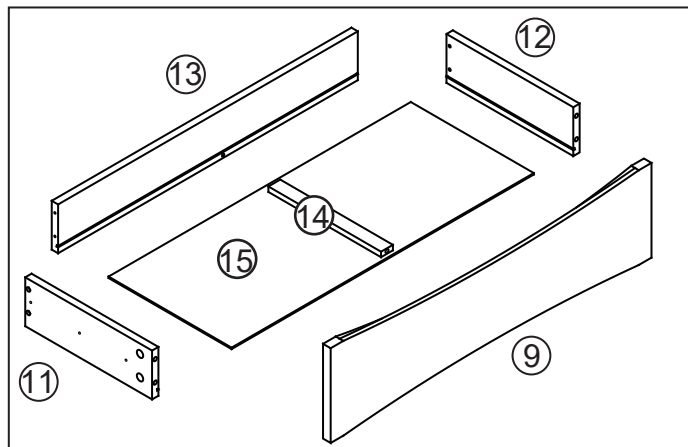
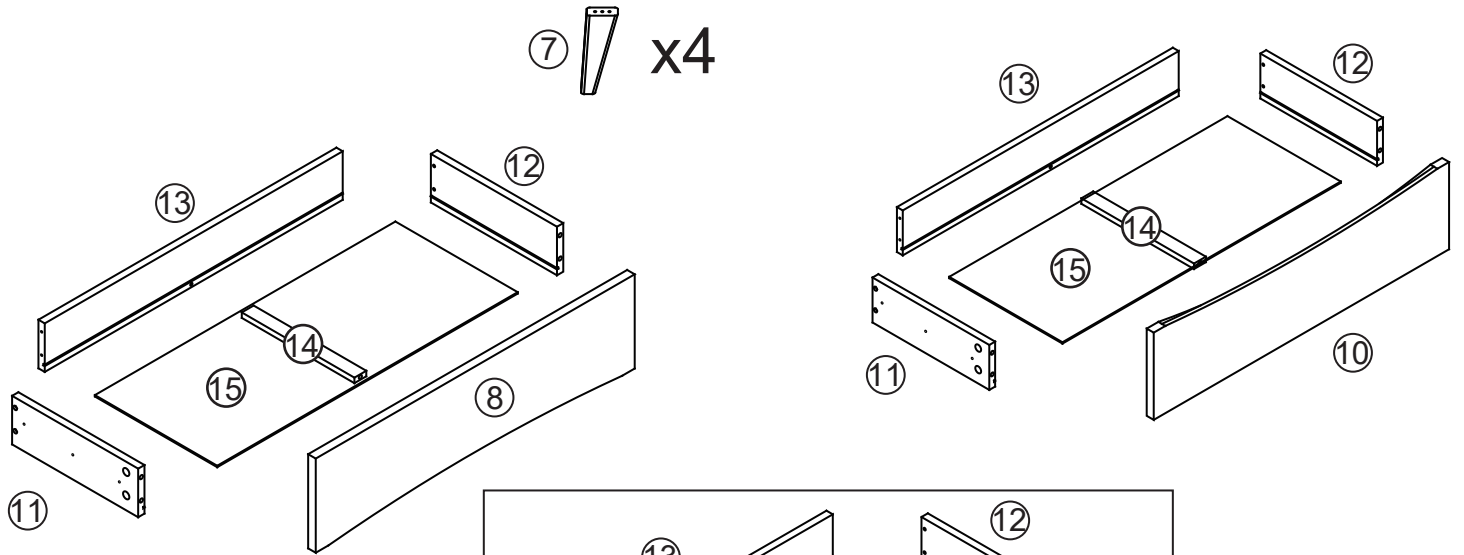


Parts and Hardware List

<p>A</p>  <p>18 pcs</p>	<p>B</p>  <p>29 pcs</p>	<p>C</p>  <p>49 pcs</p>	<p>D</p>  <p>49 pcs</p>	<p>E</p>  <p>60 pcs</p>
<p>F</p>  <p>10 pcs</p>	<p>G</p>  <p>1 pc</p>	<p>H</p>  <p>1 pc</p>	<p>I</p>  <p>2 pcs</p>	<p>J</p>  <p>4 pcs</p>
<p>K</p>  <p>4 pcs</p>	<p>L</p>  <p>1 pc</p>	<p>M</p>  <p>8 pcs</p>	<p>N</p>  <p>16 pcs</p>	<p>O</p>  <p>4 pcs</p>
<p>P</p>  <p>1 pc</p>	<p>Q</p>  <p>1 pc</p>			

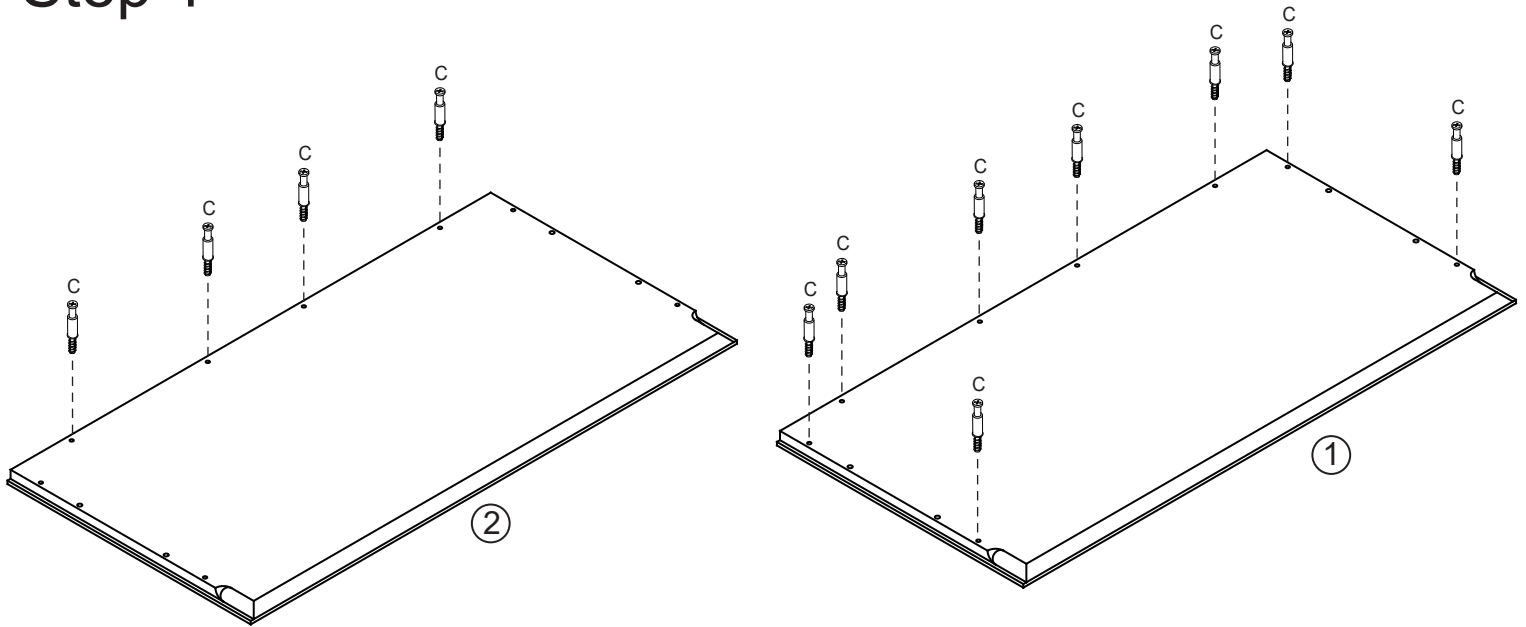


7 x4



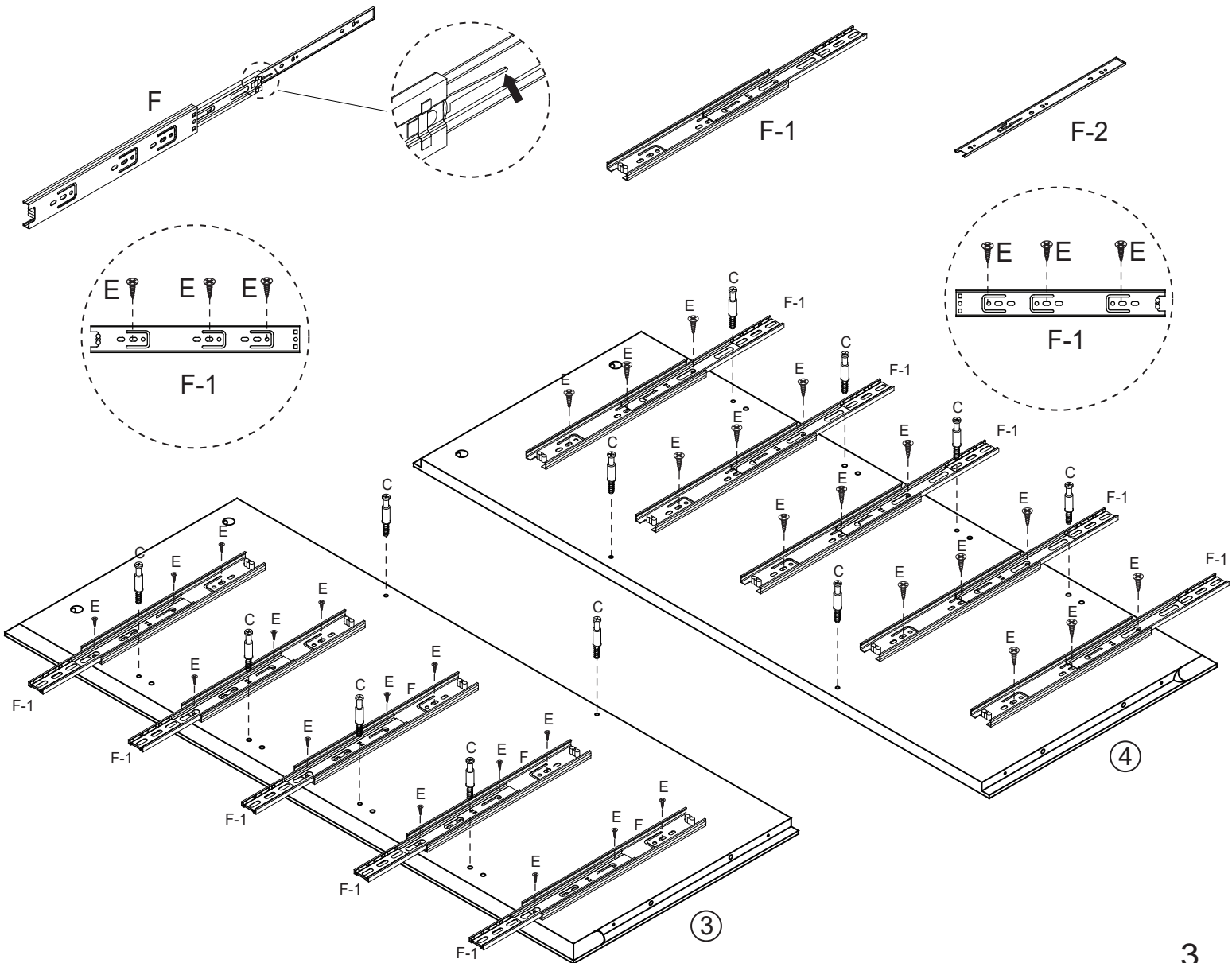
x3

Step 1

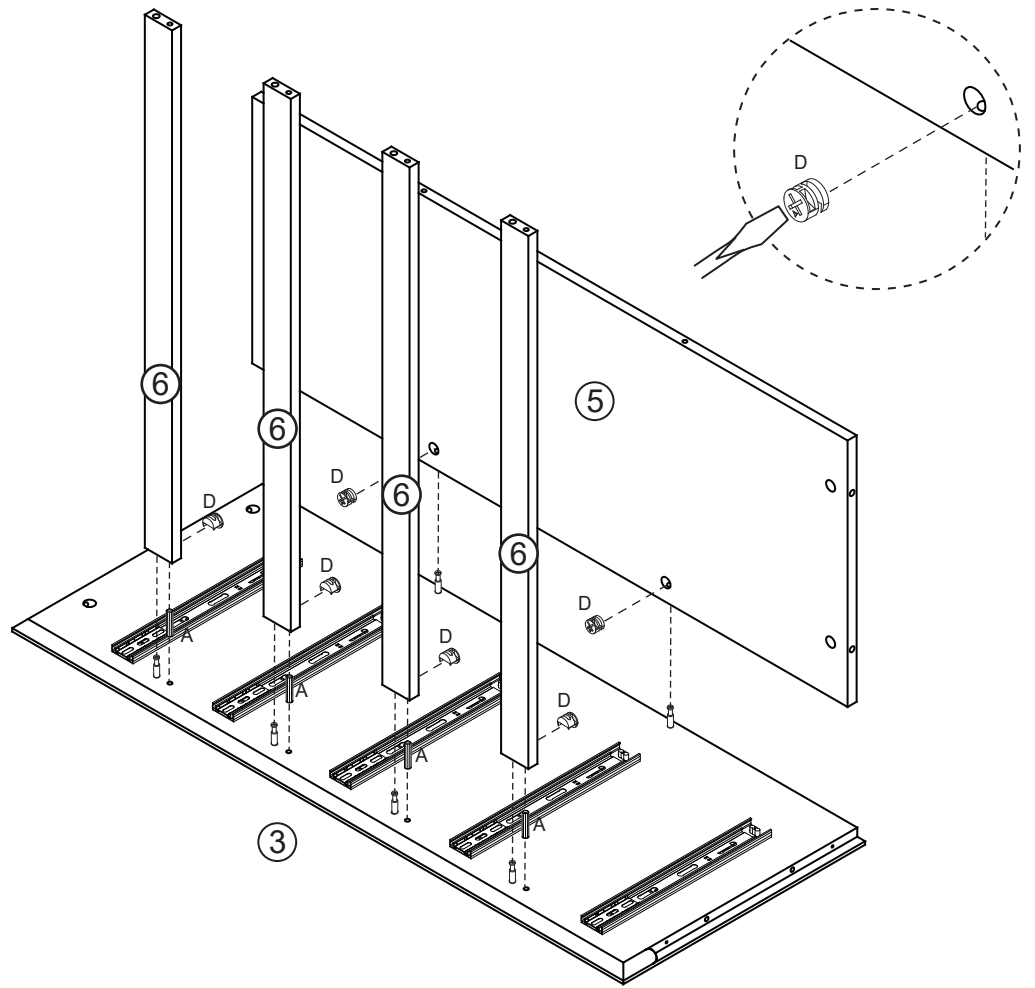


Step 2

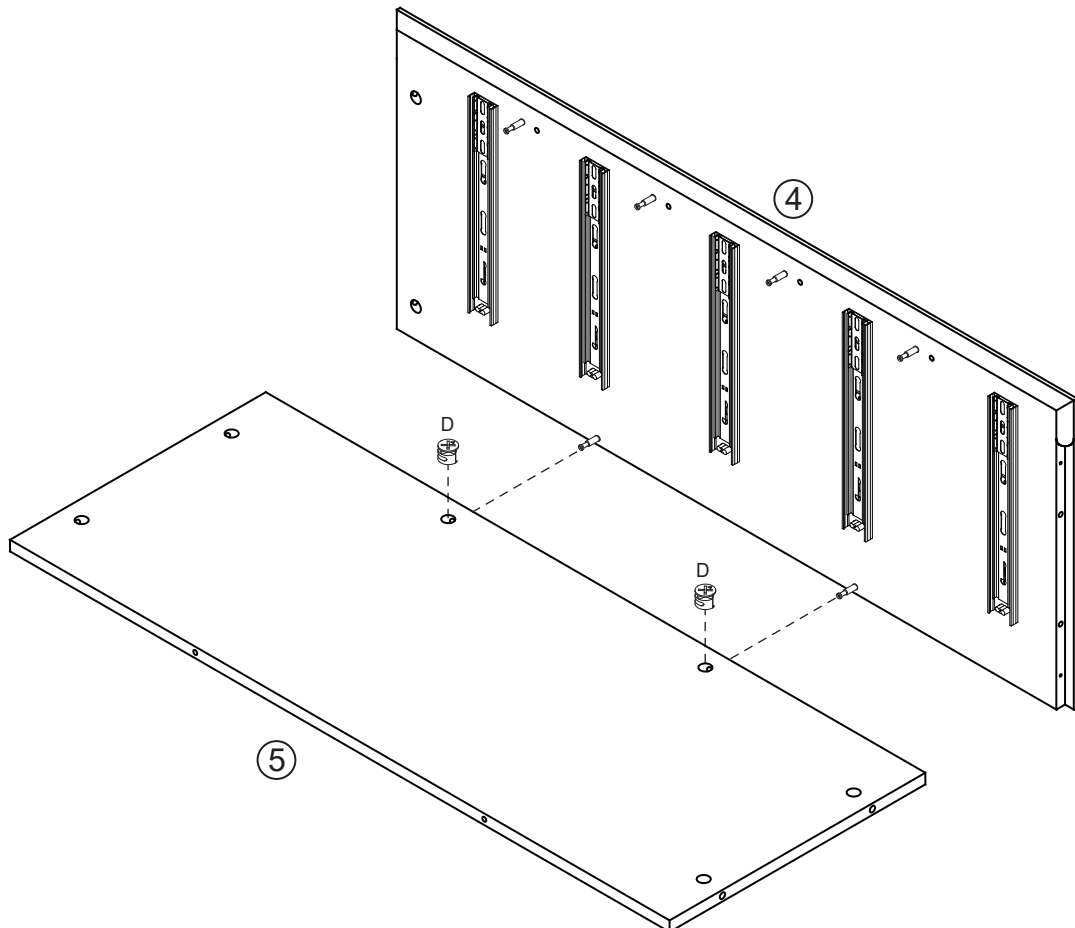
Separate the slide runners (F-2) and slide tracks (F-1) from slide (F) by following the steps below. Extend the slide runner all the way forward. Press the plastic release lever of the slide down and pull the slide runner (F-2) completely out.



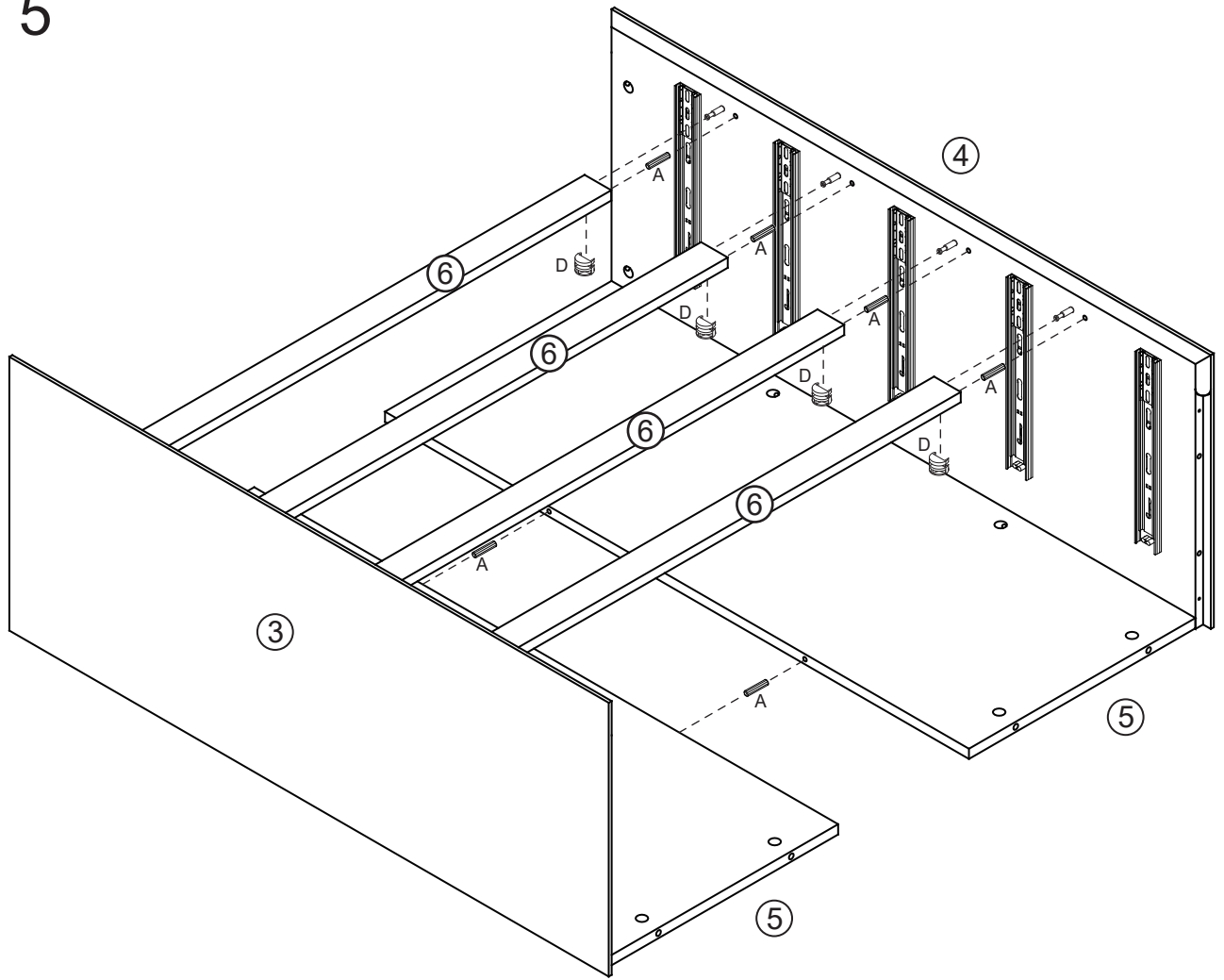
Step 3



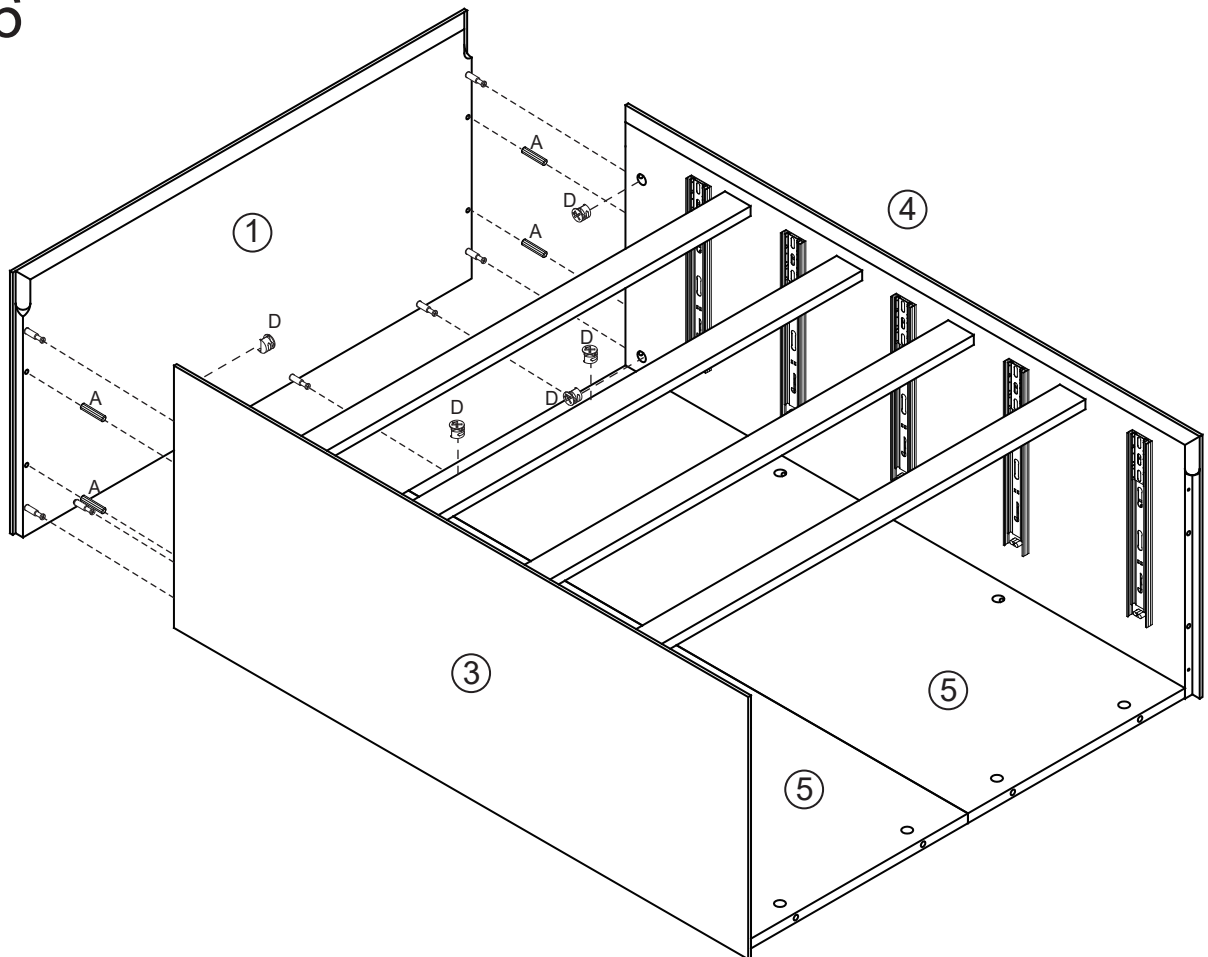
Step 4



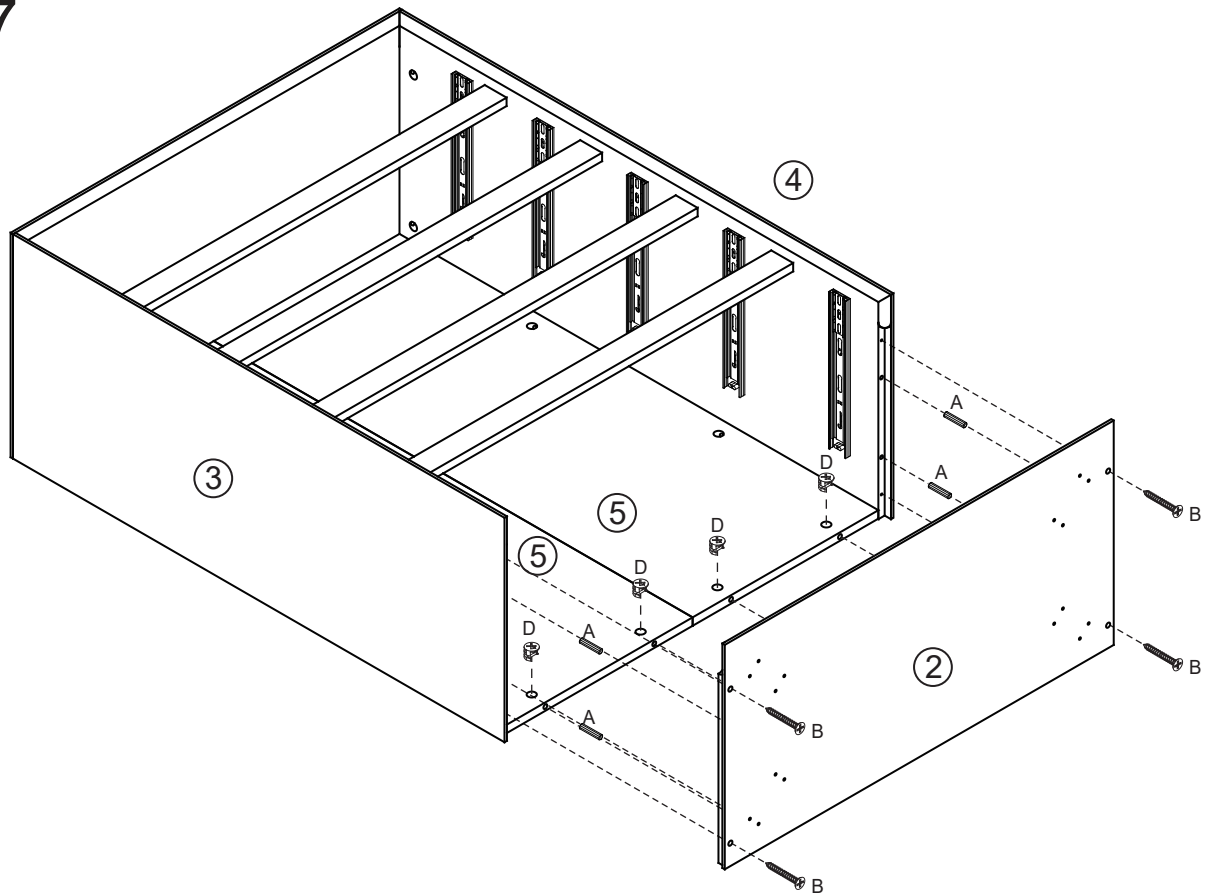
Step 5



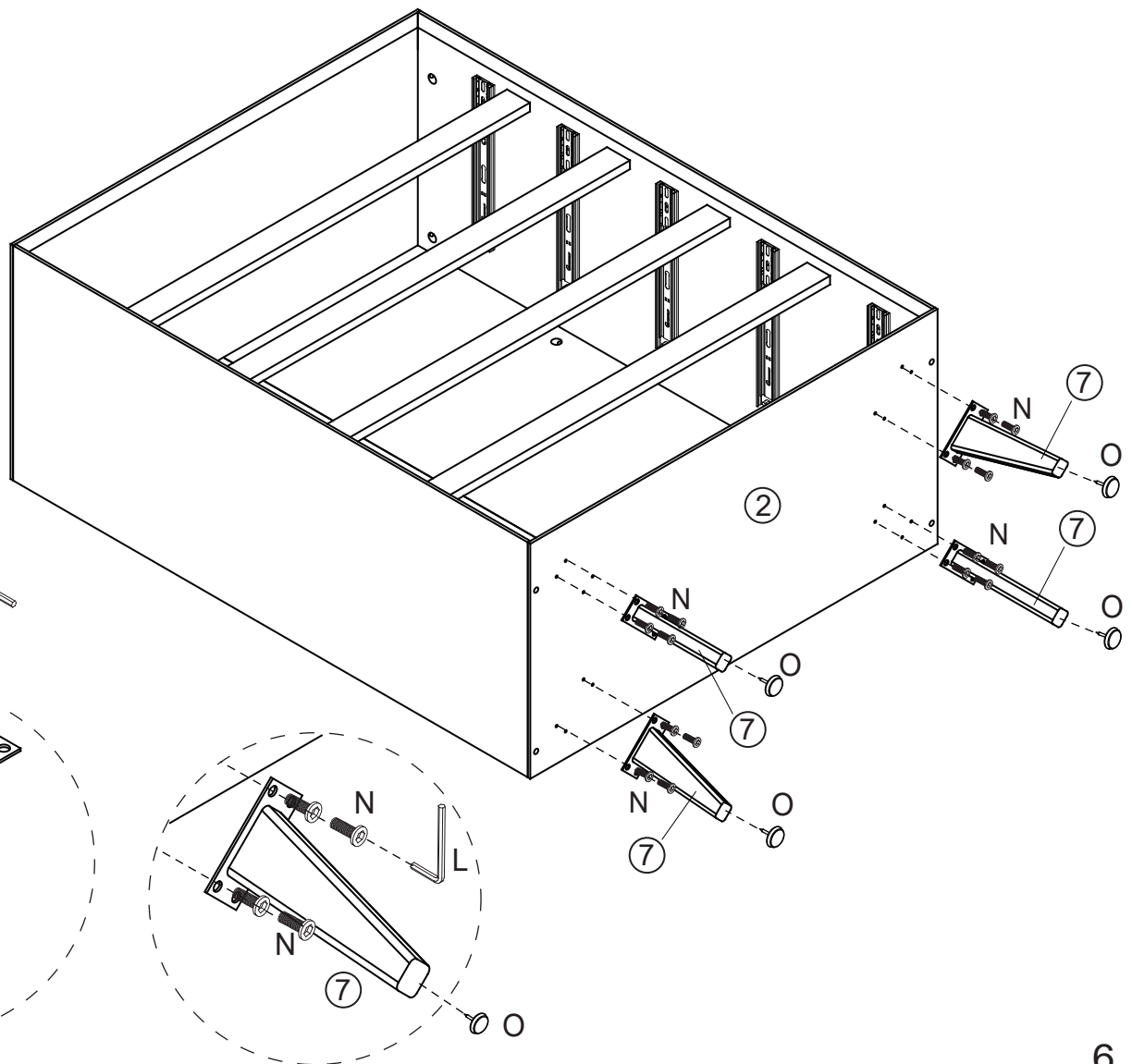
Step 6



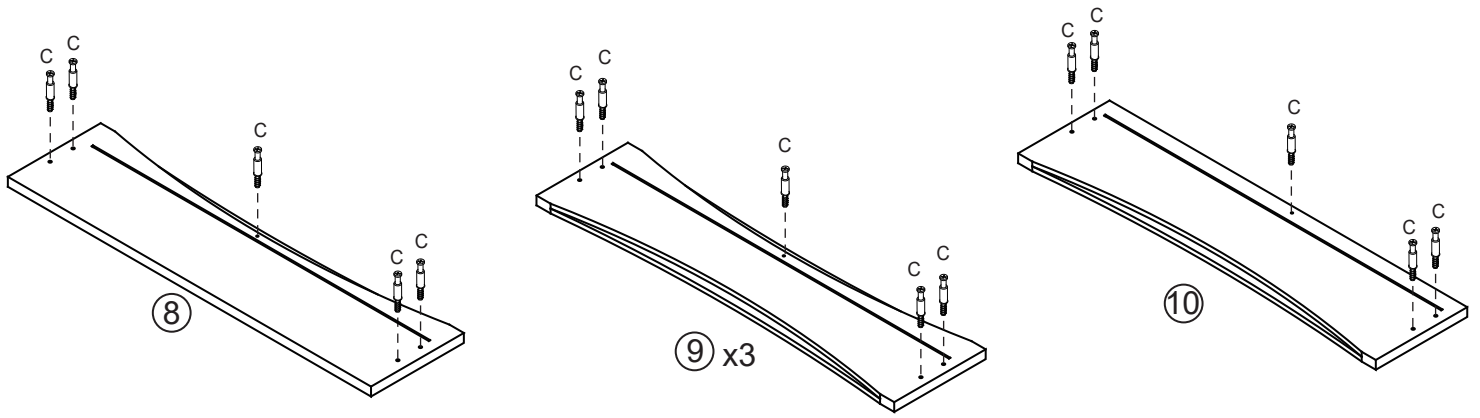
Step 7



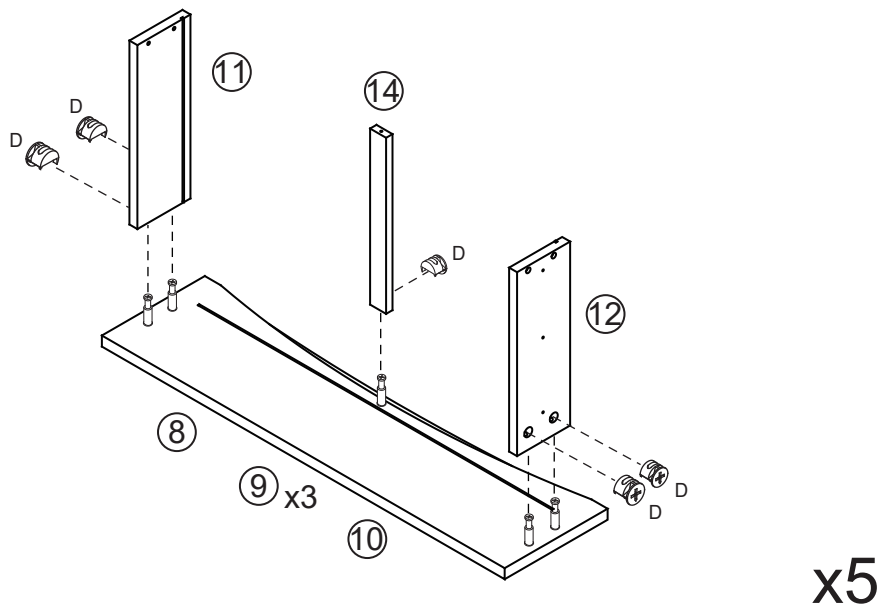
Step 8



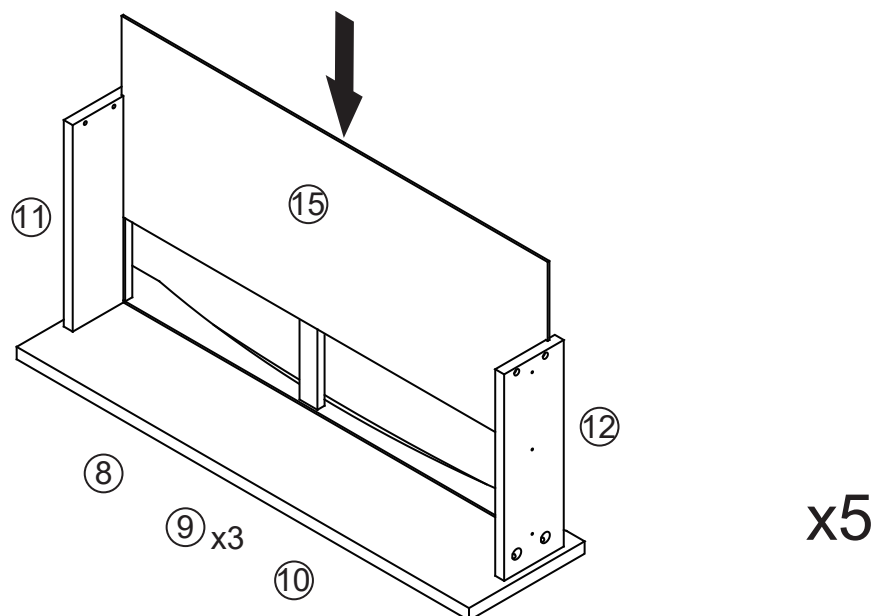
Step 9



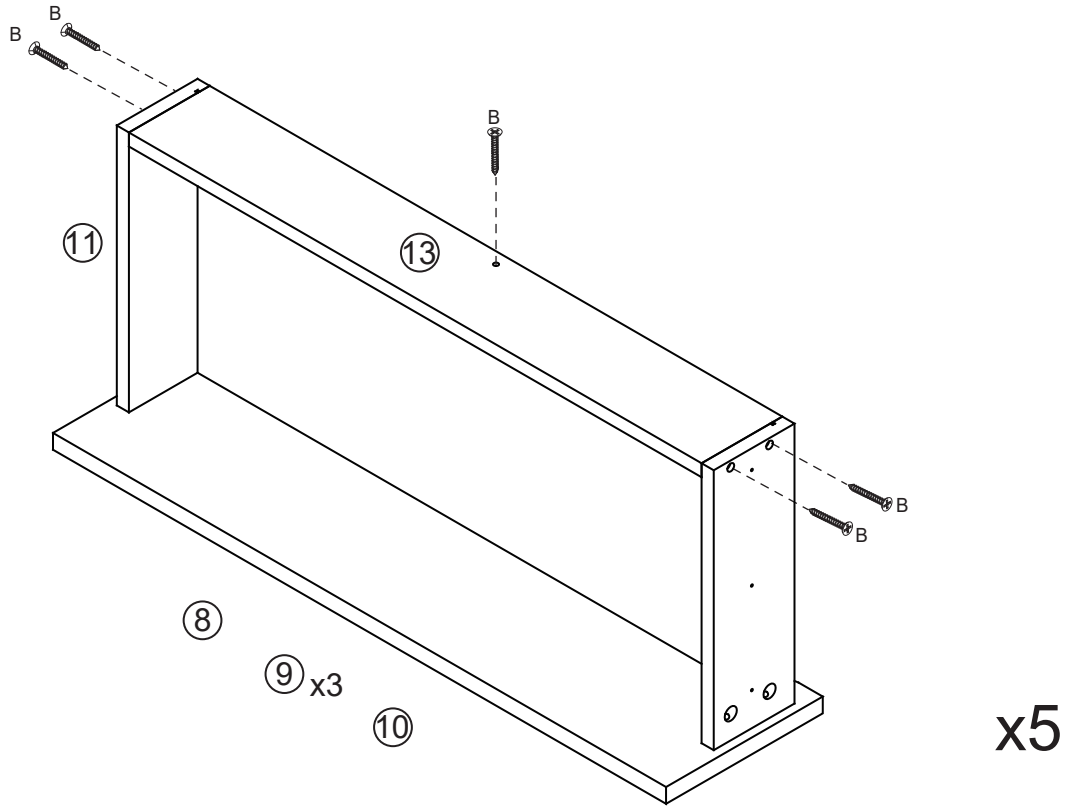
Step 10



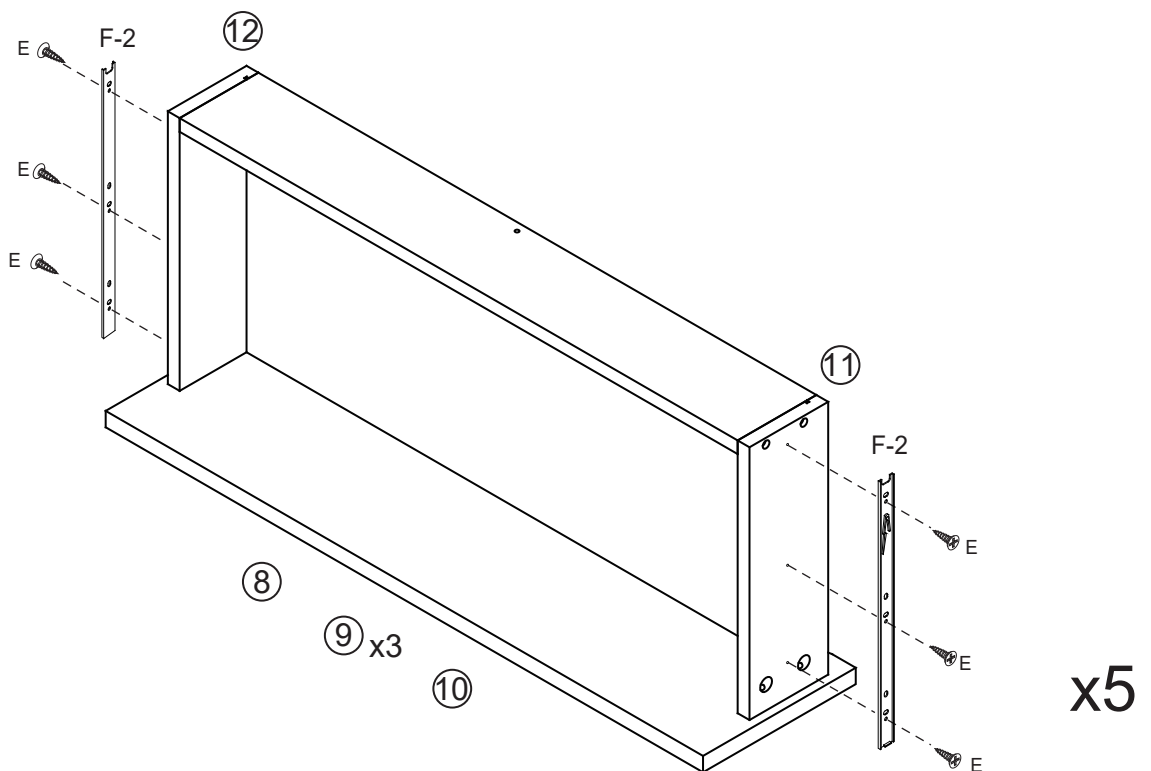
Step 11



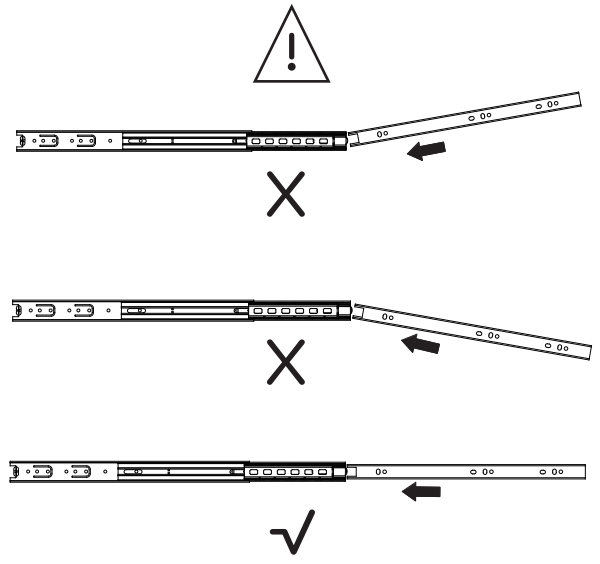
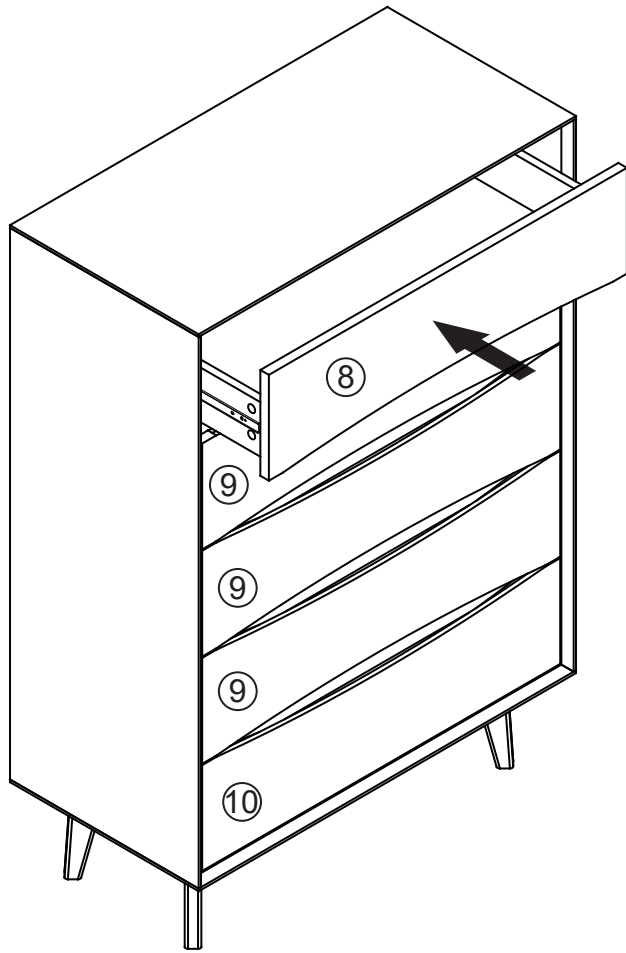
Step 12



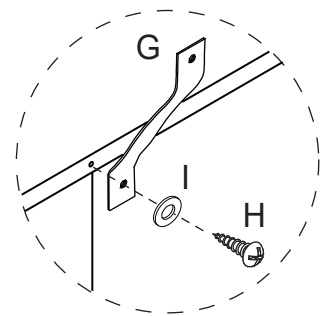
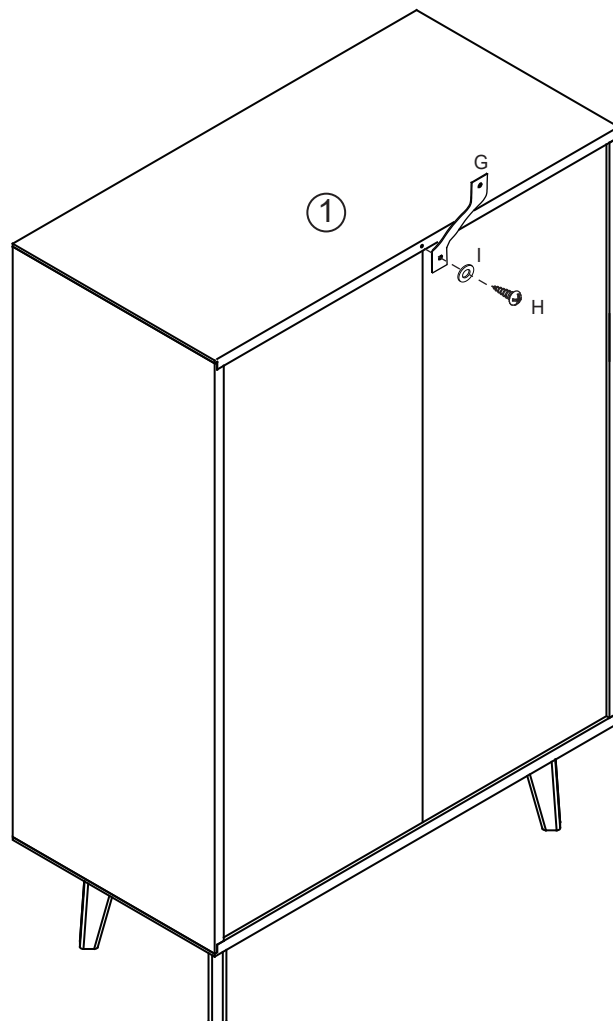
Step 13



Step 14

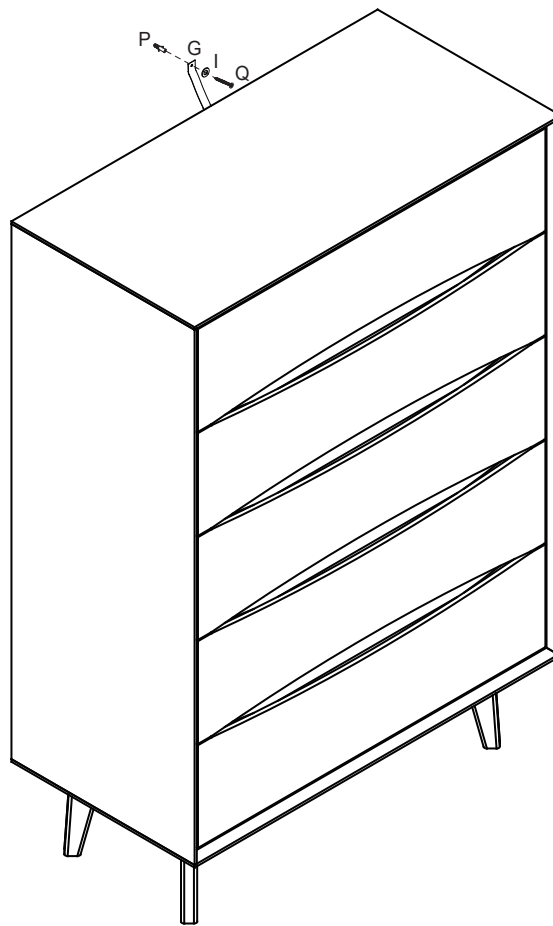
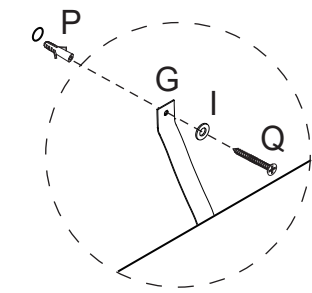


Step 15



Step 16

Wall



Fasten the safety strap to your wall using appropriate fixings for your wall type. If you are unsure, please seek professional advice on how to attach this safety strap to your specific wall.

Step 17

