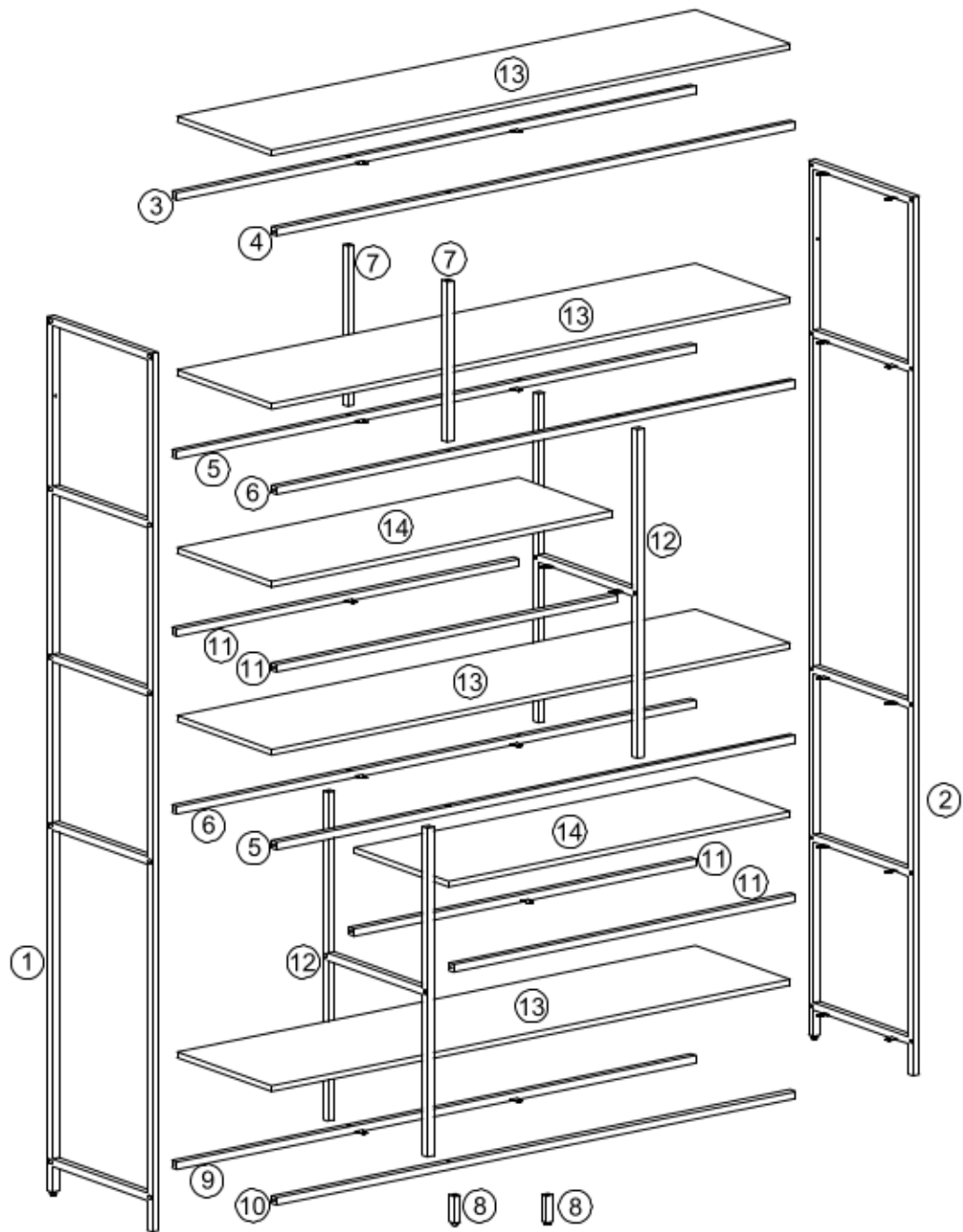

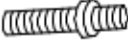




25/05/2021



			✓
①	1	1850x350x42/16	
②	1	1850x350x42/16	
③	1	1318x42/16x16	
④	1	1318x42/16x16	
⑤	2	1318x42/16x16	
⑥	2	1318x42/16x16	
⑦	2	337x16x16	

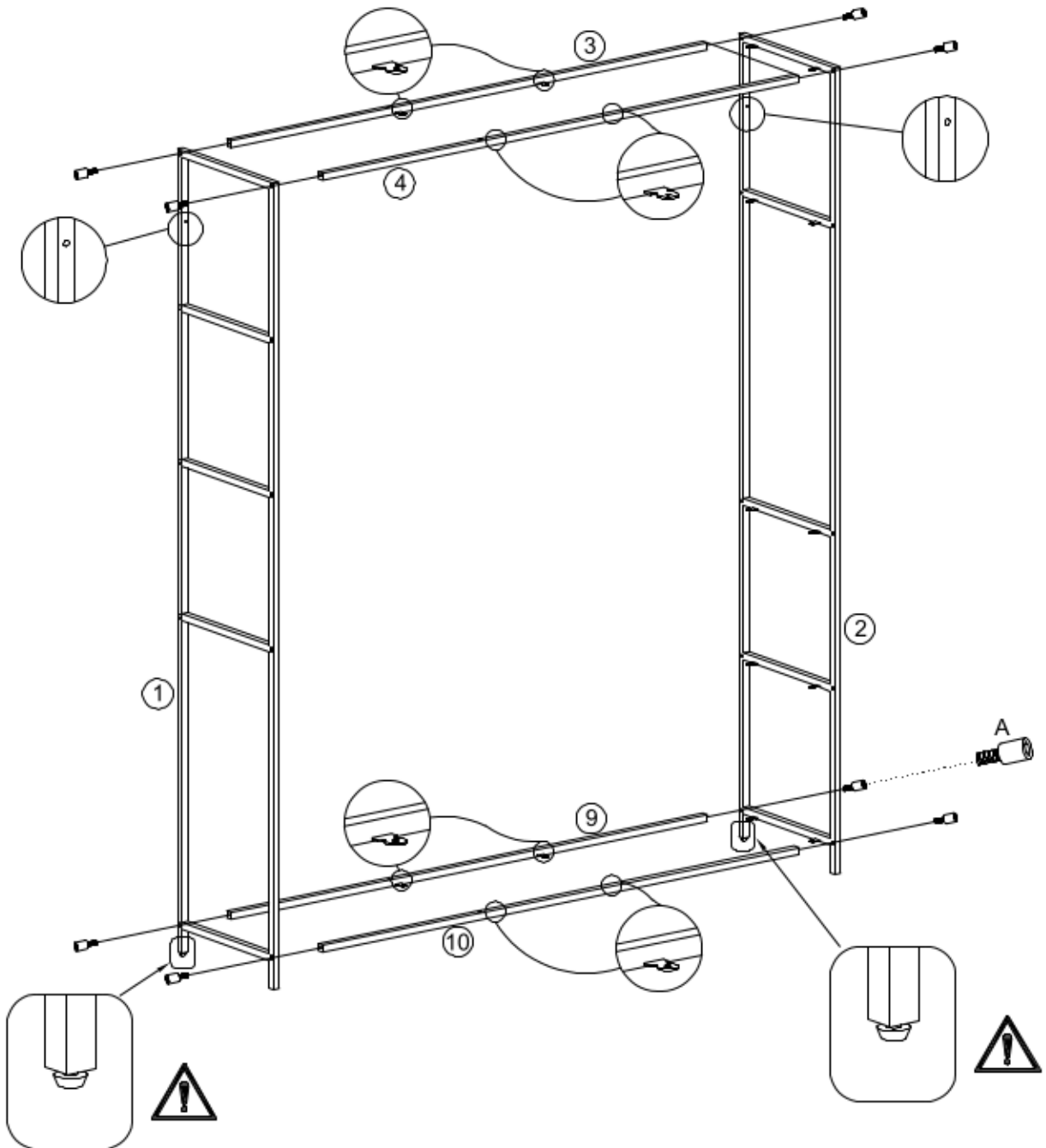
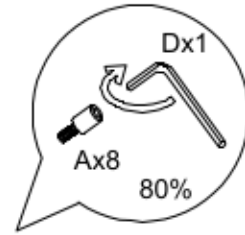
			✓
⑧	2	61x16x16	
⑨	1	1318x42/16x16	
⑩	1	1318x42/16x16	
⑪	4	868x42/16x16	
⑫	2	692x350x42/16	
⑬	4	1316x316x12	
⑭	2	866x316x12	






A x 34	B x 2	C x 44	D x 1
			
M6 x 15 mm	M6 x 55 mm	Ø4 x 12mm	4 mm

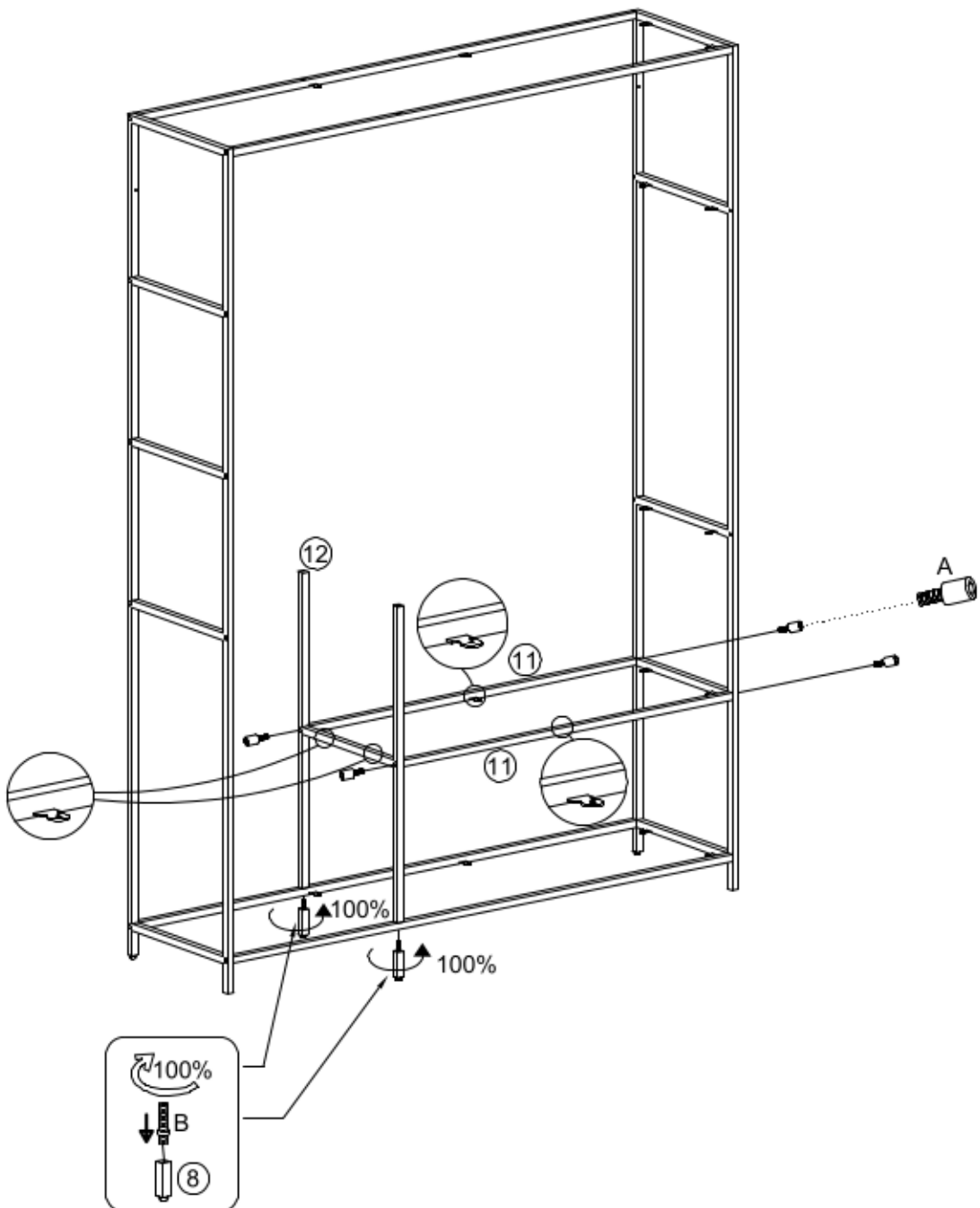
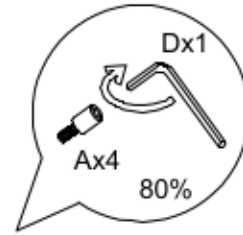
1

A x 8	D x 1
	
M6 x 15 mm	4 mm





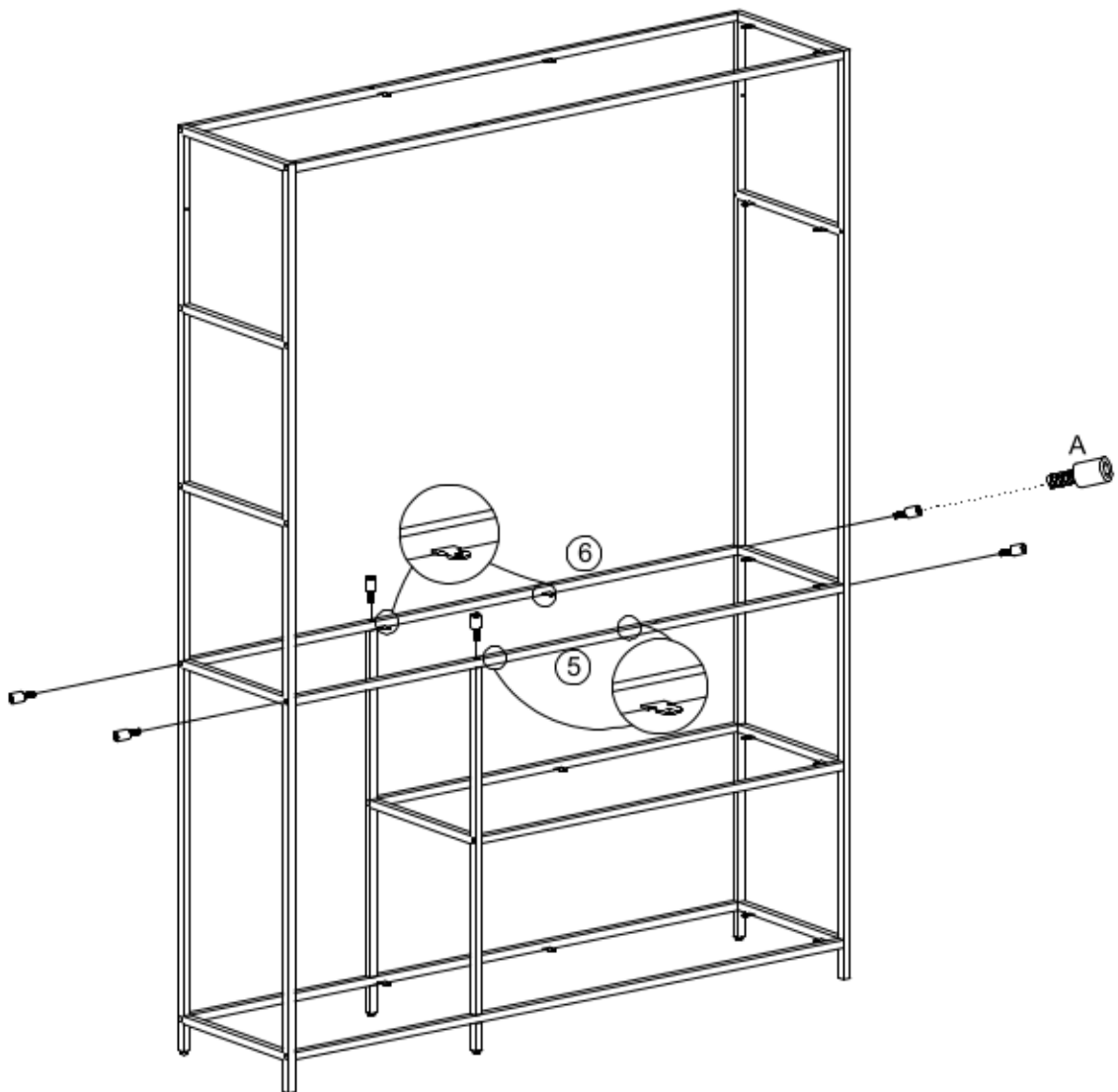
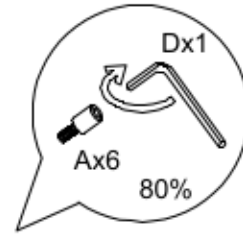
2

A x 4	B x 2	D x 1
		
M6 x 15 mm	M6 x 55 mm	4 mm





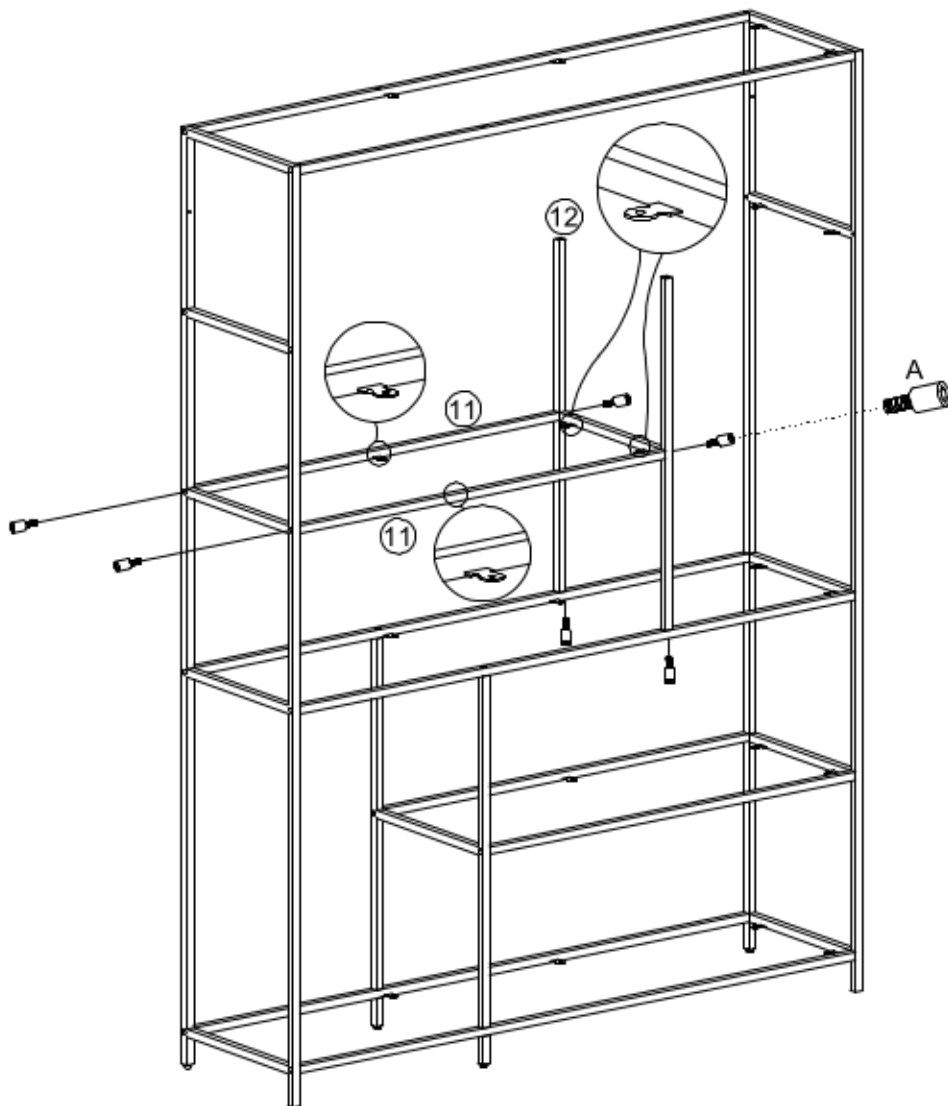
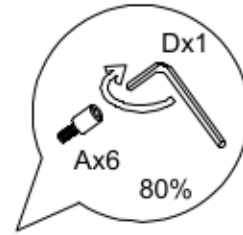
3

A x 6  M6 x 15 mm	D x 1  4 mm
--	--





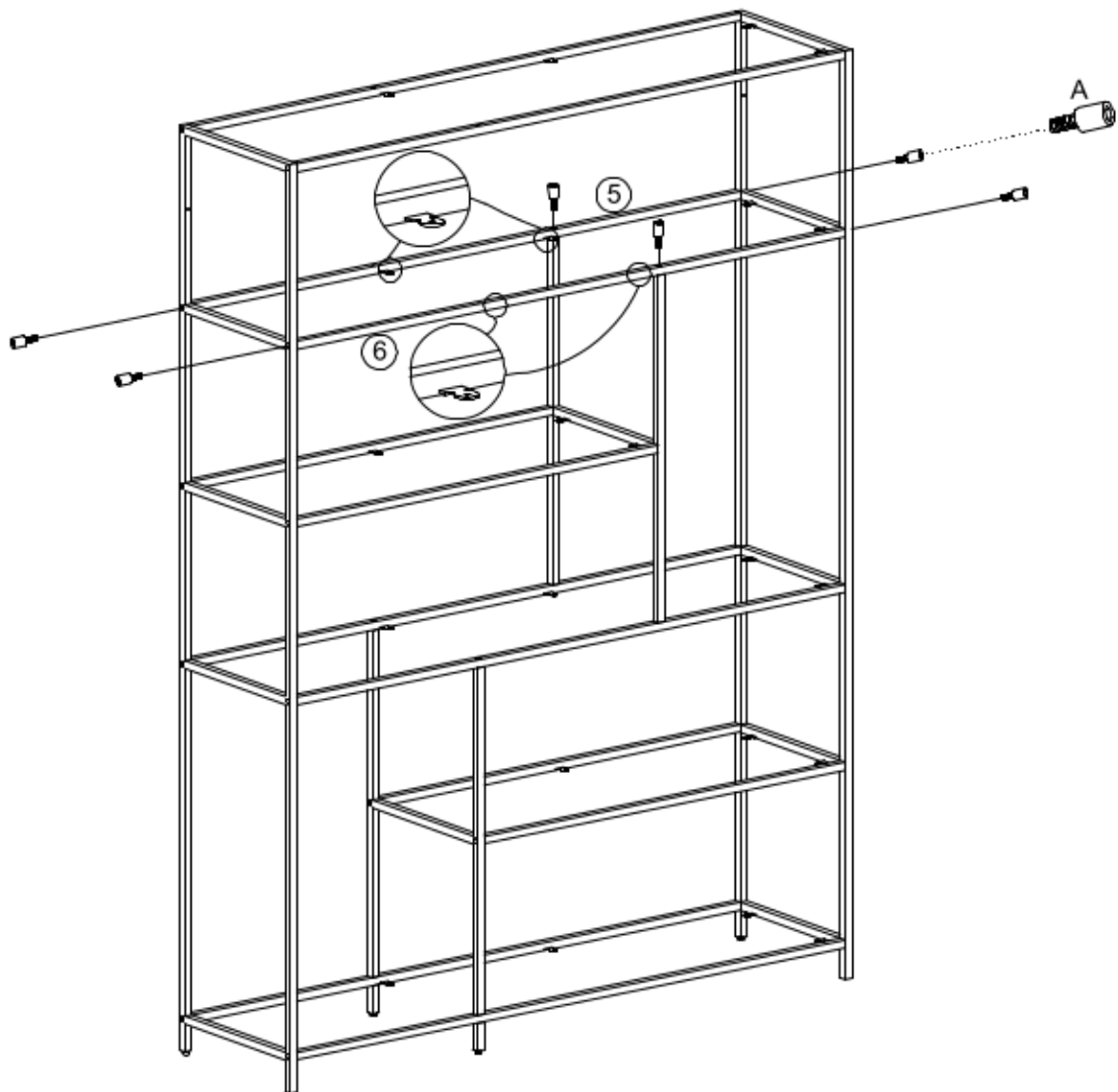
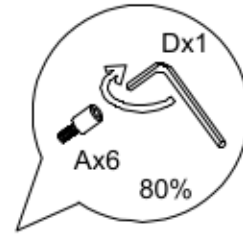
4

A x 6  M6 x 15 mm	D x 1  4 mm
--	--





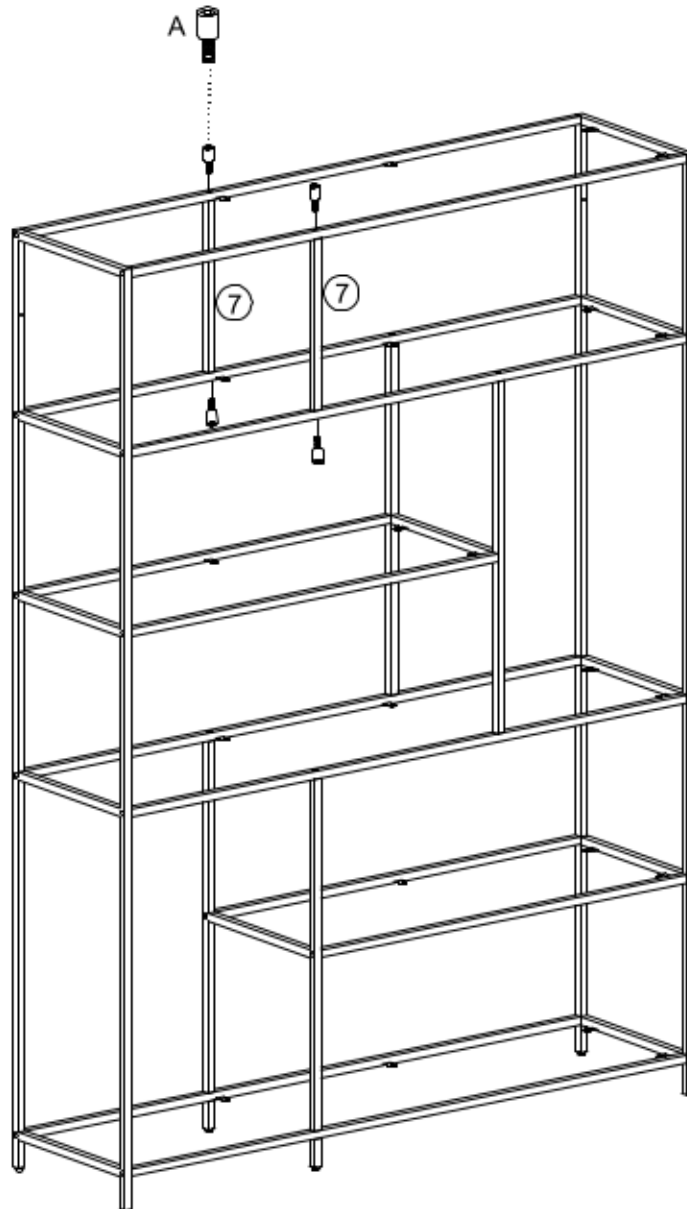
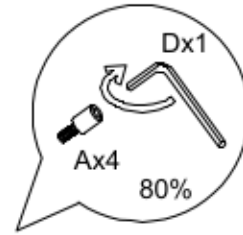
5

A x 6	D x 1
	
M6 x 15 mm	4 mm





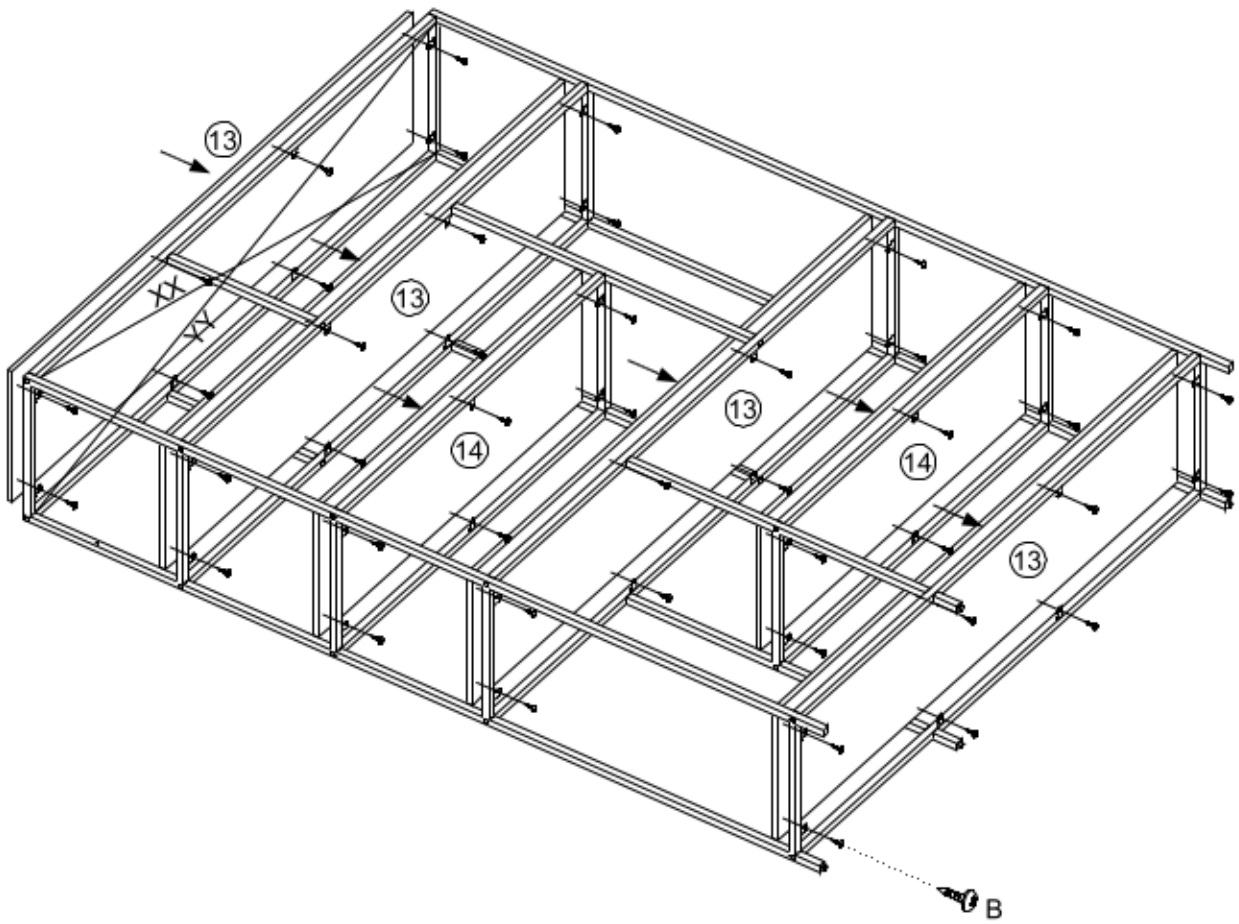
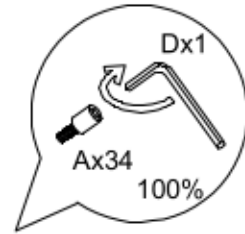
6

A x 4  M6 x 15 mm	D x 1  4 mm
--	--

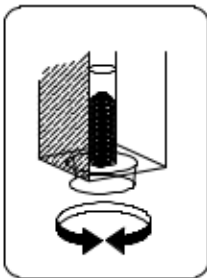
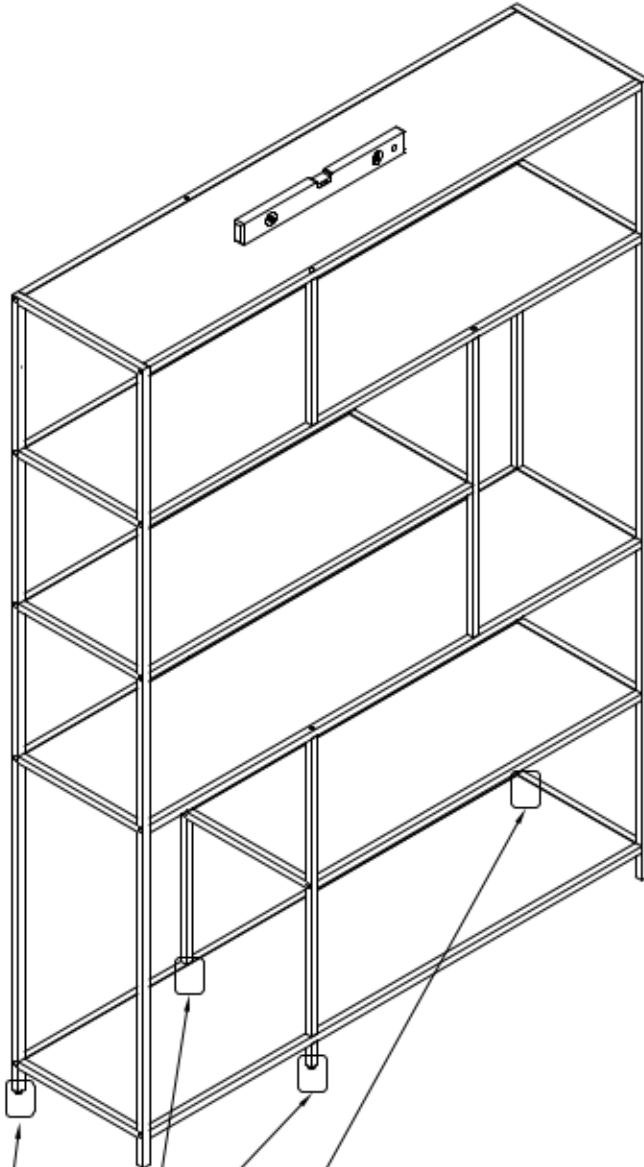
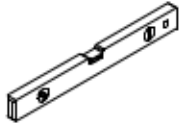


7

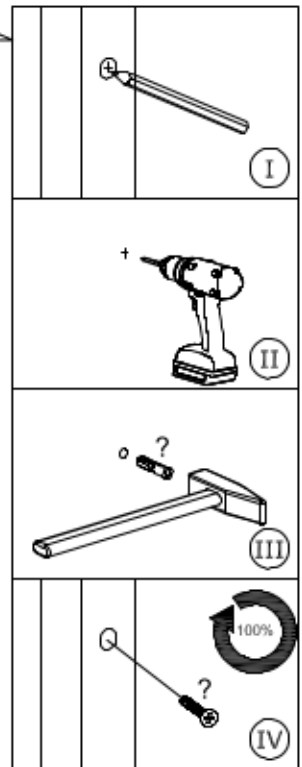
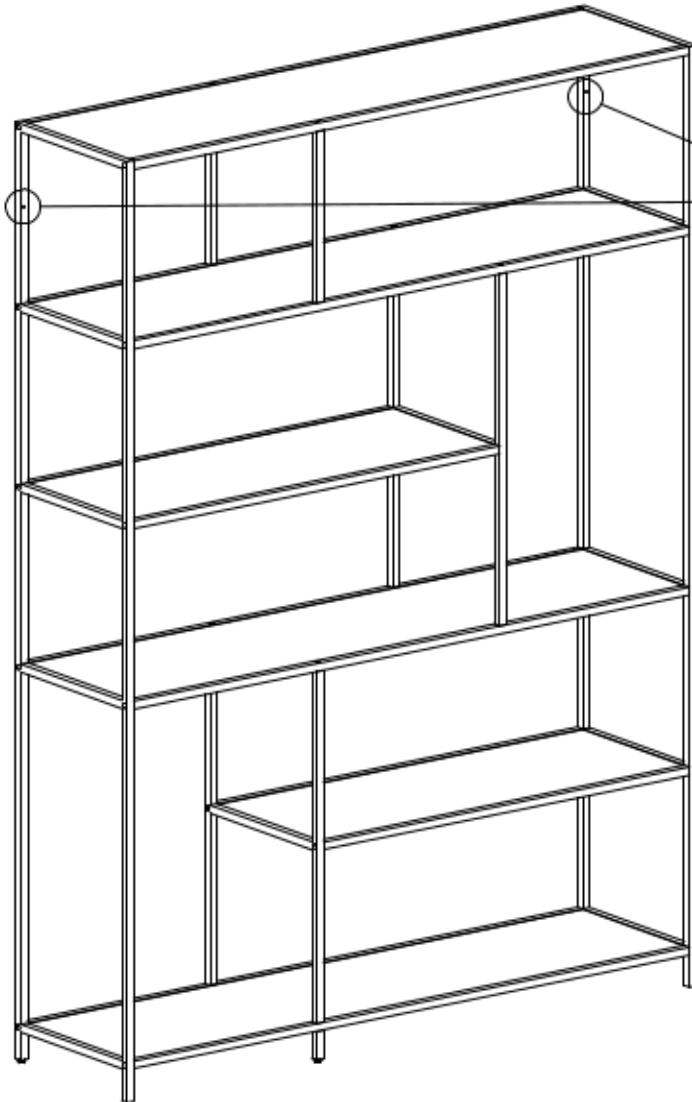
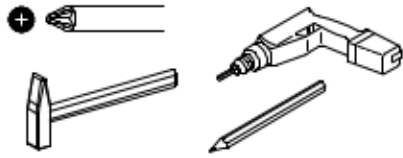
B x 44  Ø4 x 12mm	D x 1  4 mm
--	--



8



9



10

