

A		X34	J		X4	S		X2
B		X34	K		X12	T		X2
C		X18	L		X8	U		X4
D		X50	M		X1	V		X24
E		X22	N		X2			
F		X4	O		X1			
G		X2	P		X4			
H		X2	Q		X1			
I		X4	R		X1			

1

Diagram 1 shows three rectangular panels, labeled 12, 13, and 14, being joined together. Two screws, labeled C, are shown being inserted into the panels to secure them together.

X4

2

Diagram 2 shows a rectangular frame, labeled 18, being assembled. The frame is joined to a top panel, labeled 15, using screws labeled A and B. A hinge, labeled J, is also shown attached to the top panel.

X3

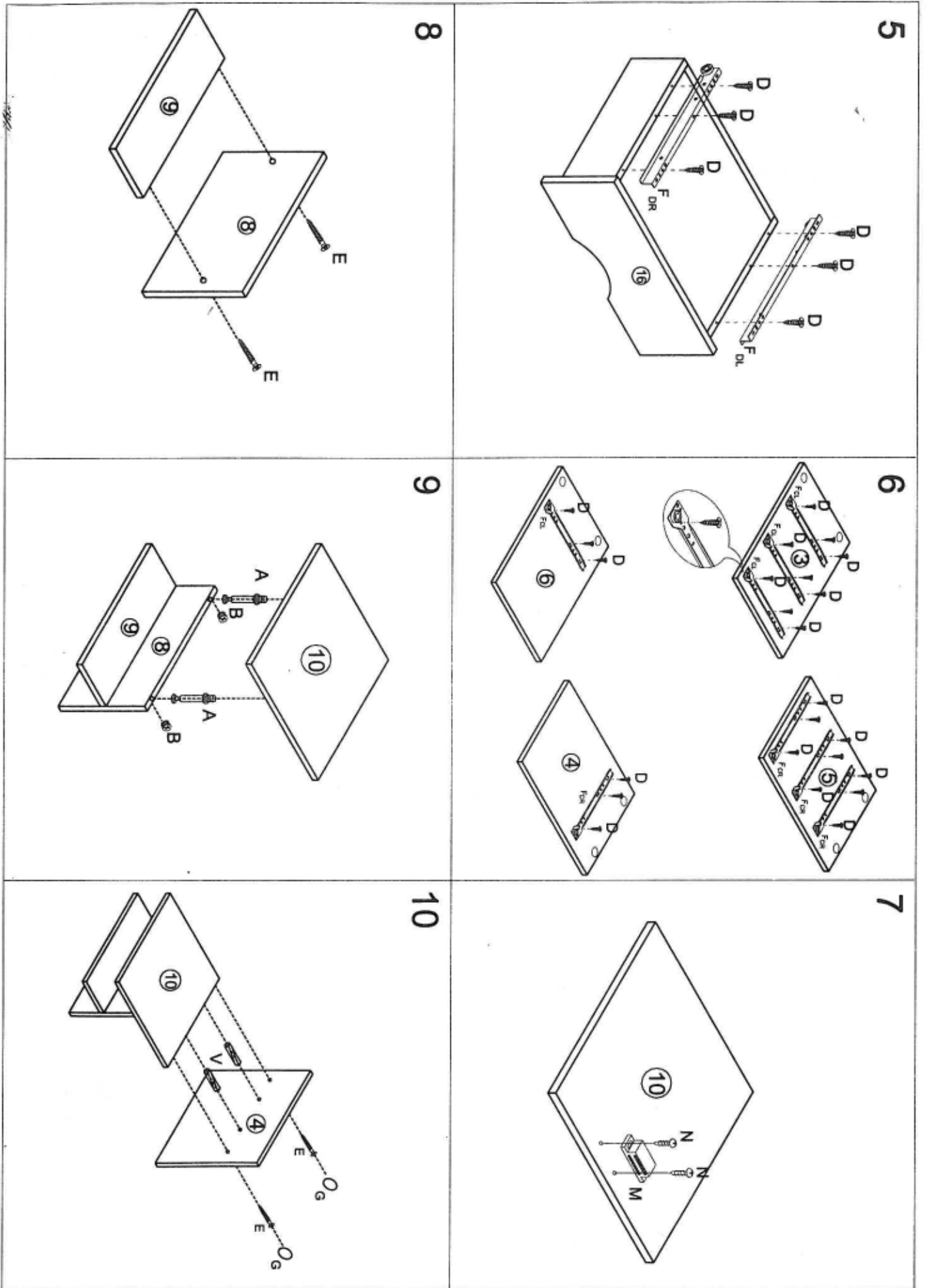
3

Diagram 3 shows a rectangular frame, labeled 16, being assembled. The frame is joined to a top panel, labeled 15, using screws labeled A and B.

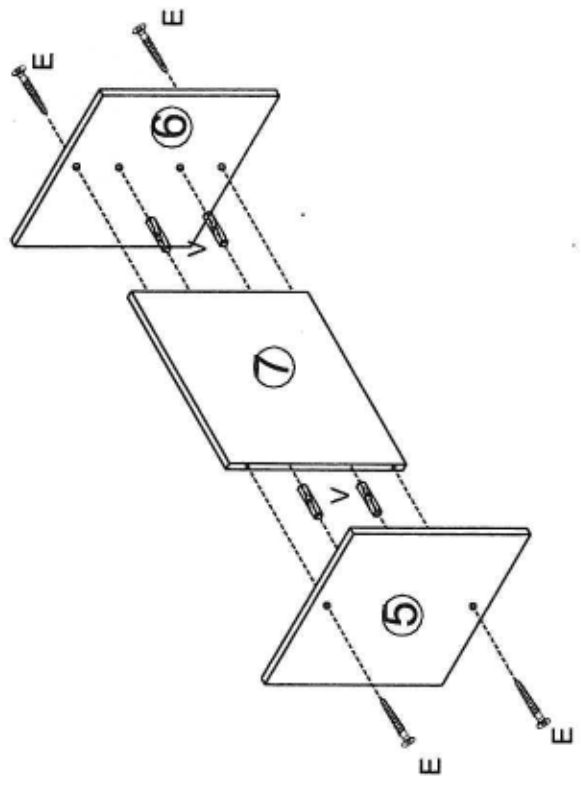
X3

4

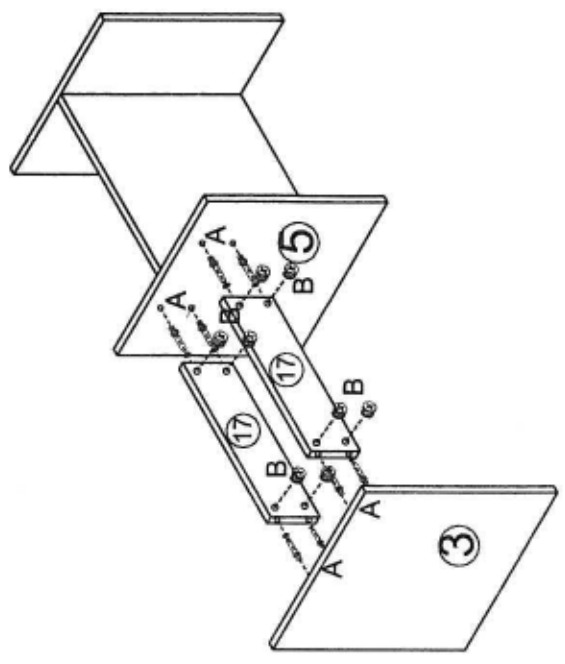
Diagram 4 shows a rectangular frame, labeled 15, being assembled. The frame is joined to a top panel, labeled 15, using screws labeled D and hinges labeled F DR and F DL.



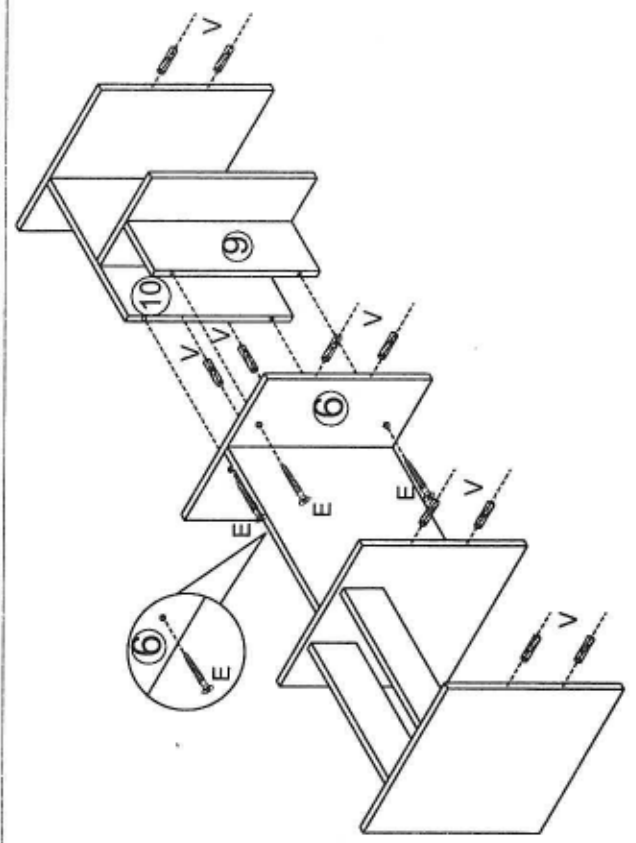
11



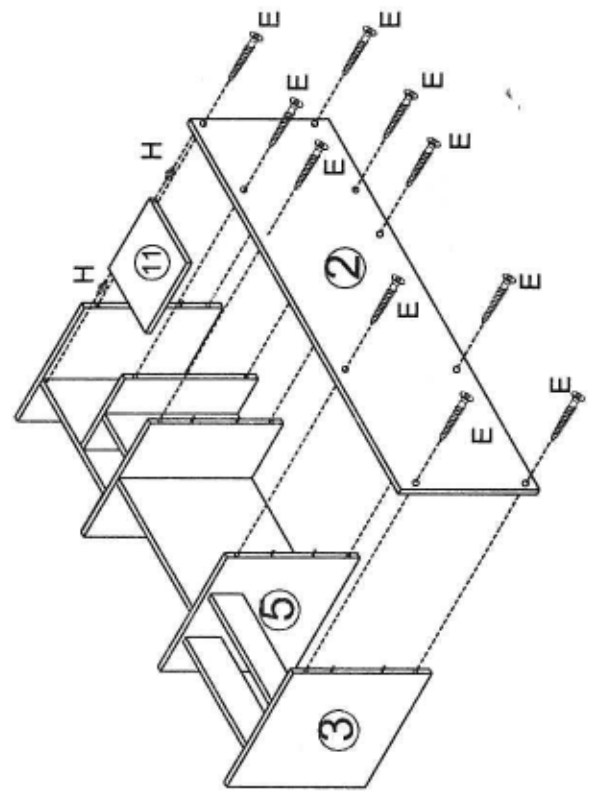
12



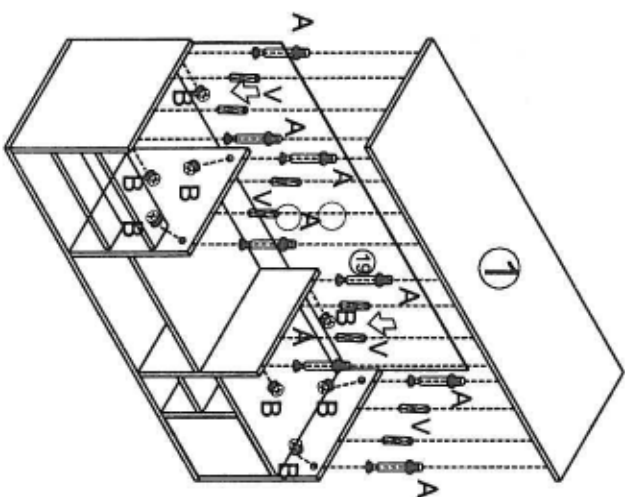
13



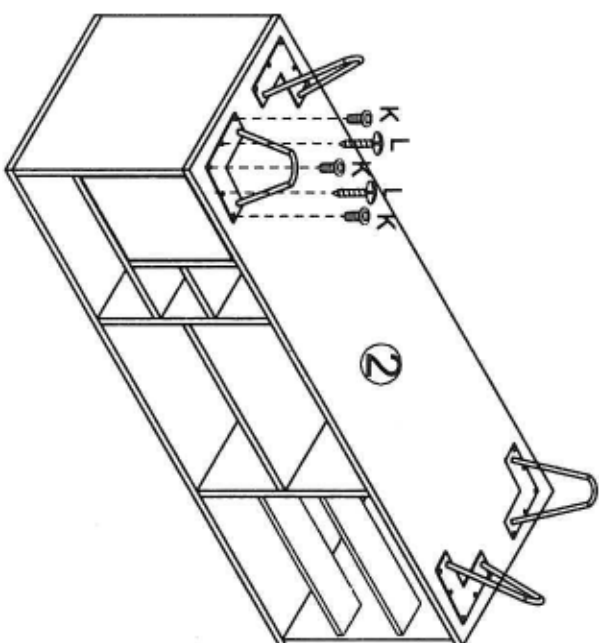
14



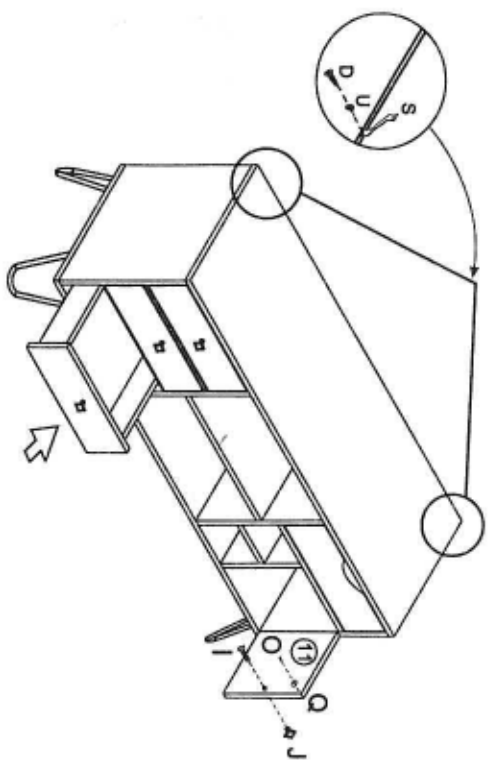
15



16



17



18

