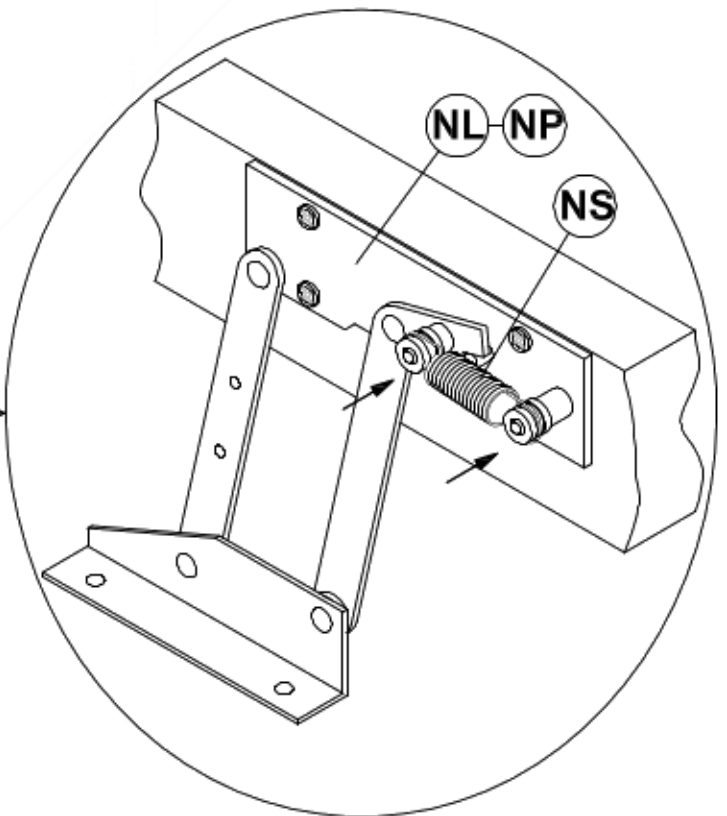
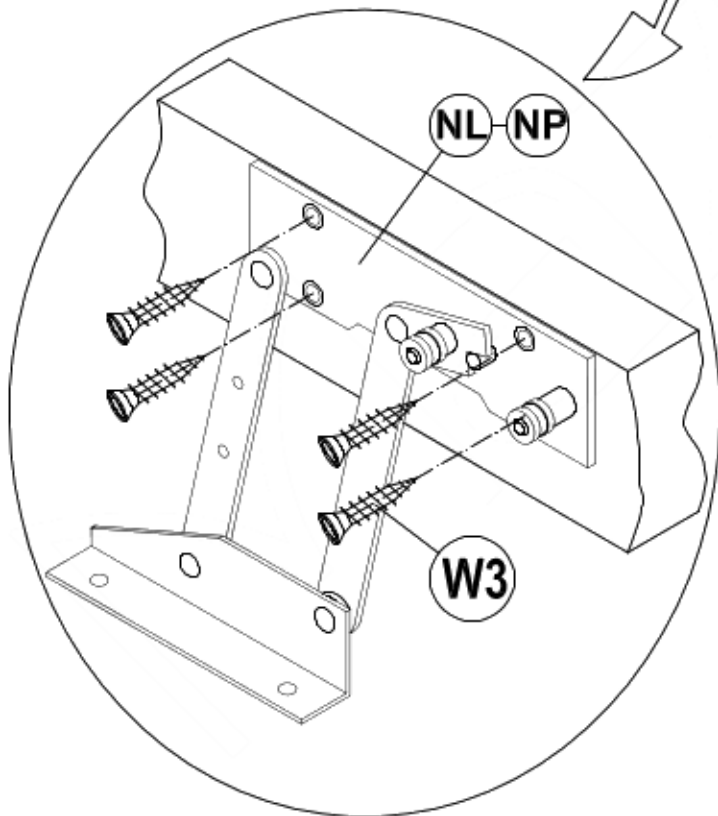
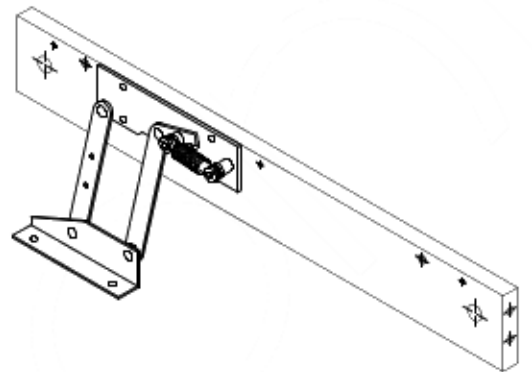
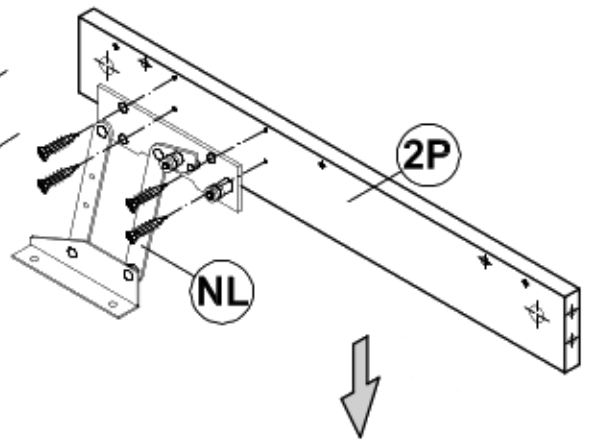
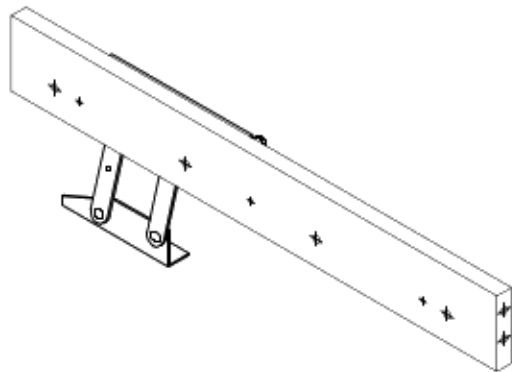
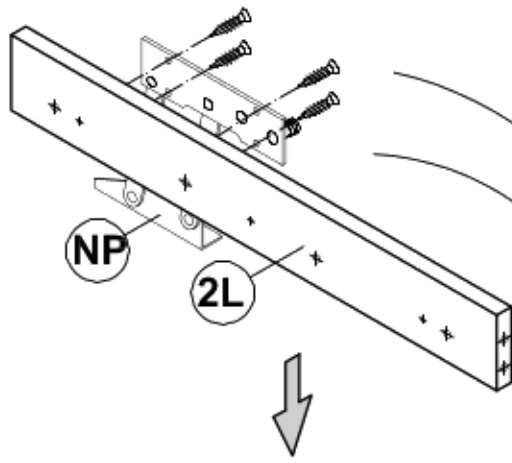
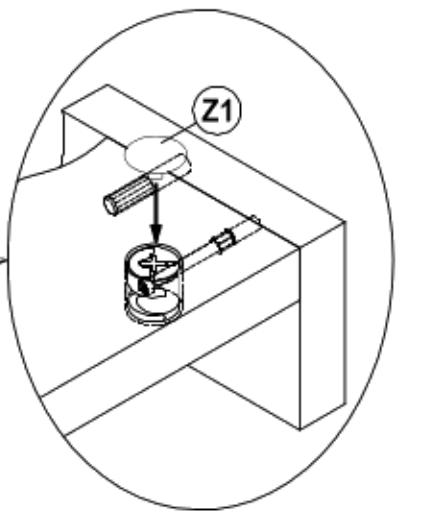
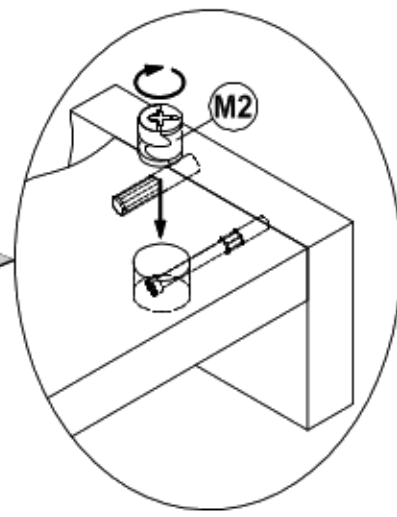
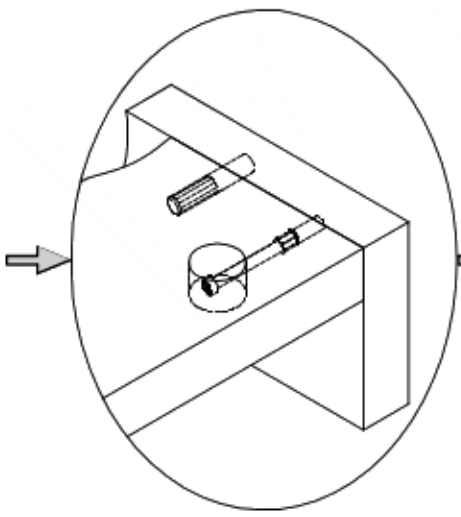
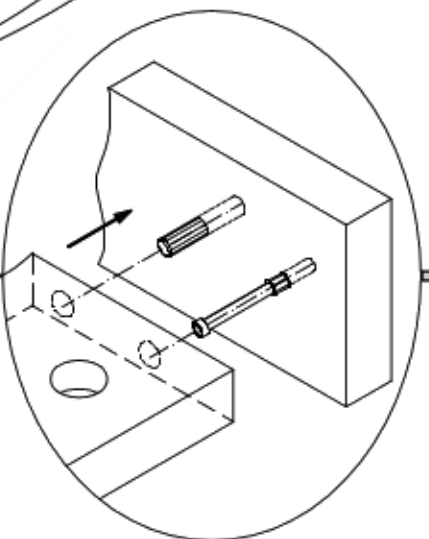
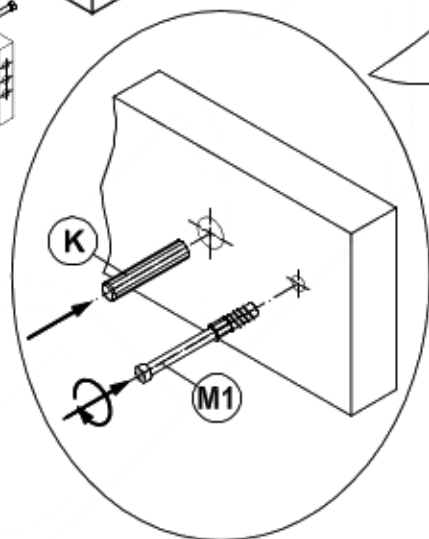
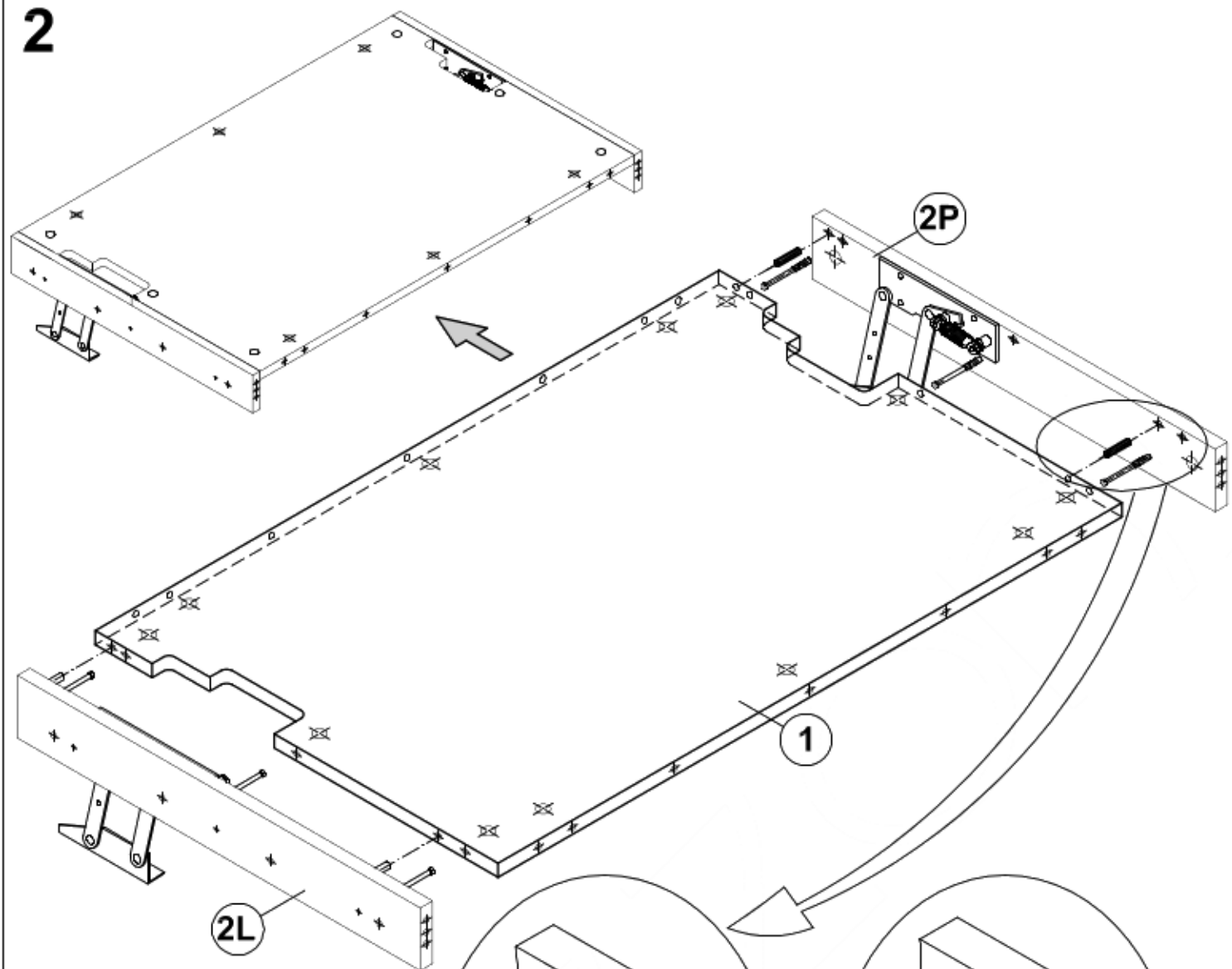


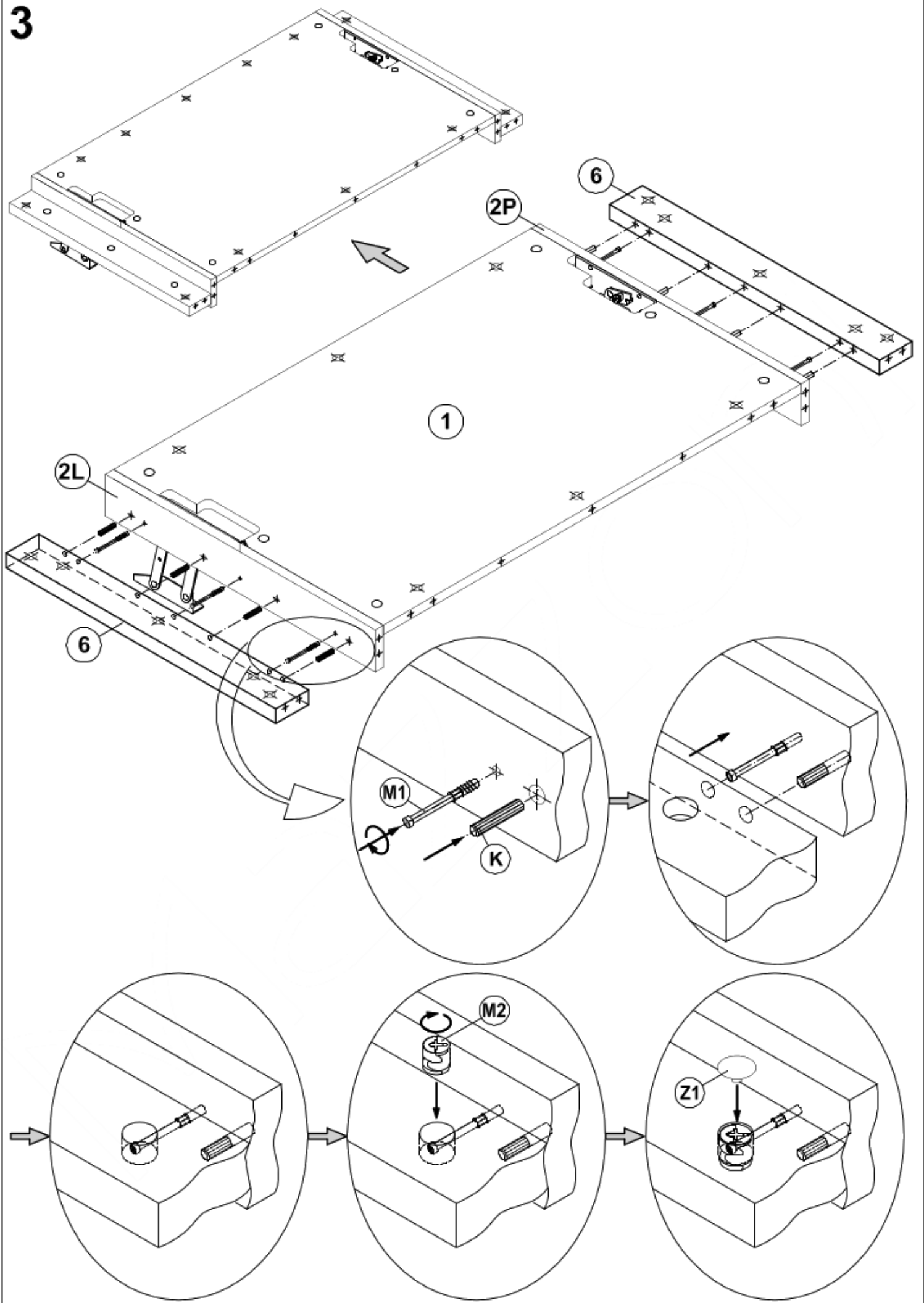
1

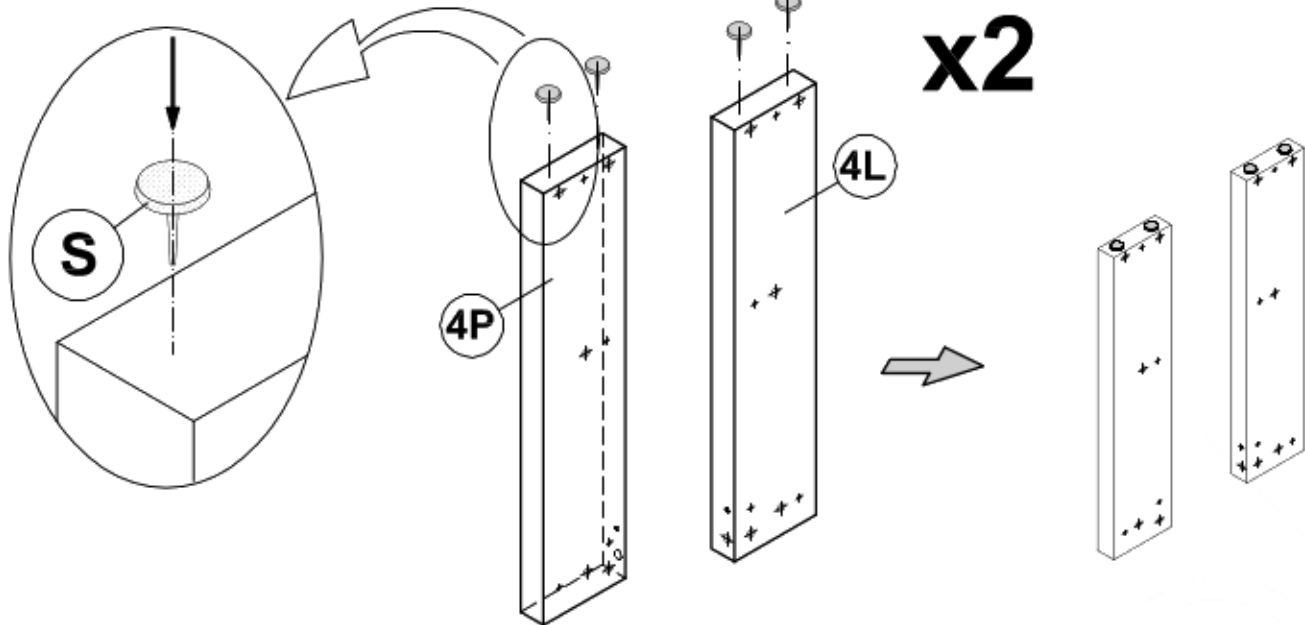
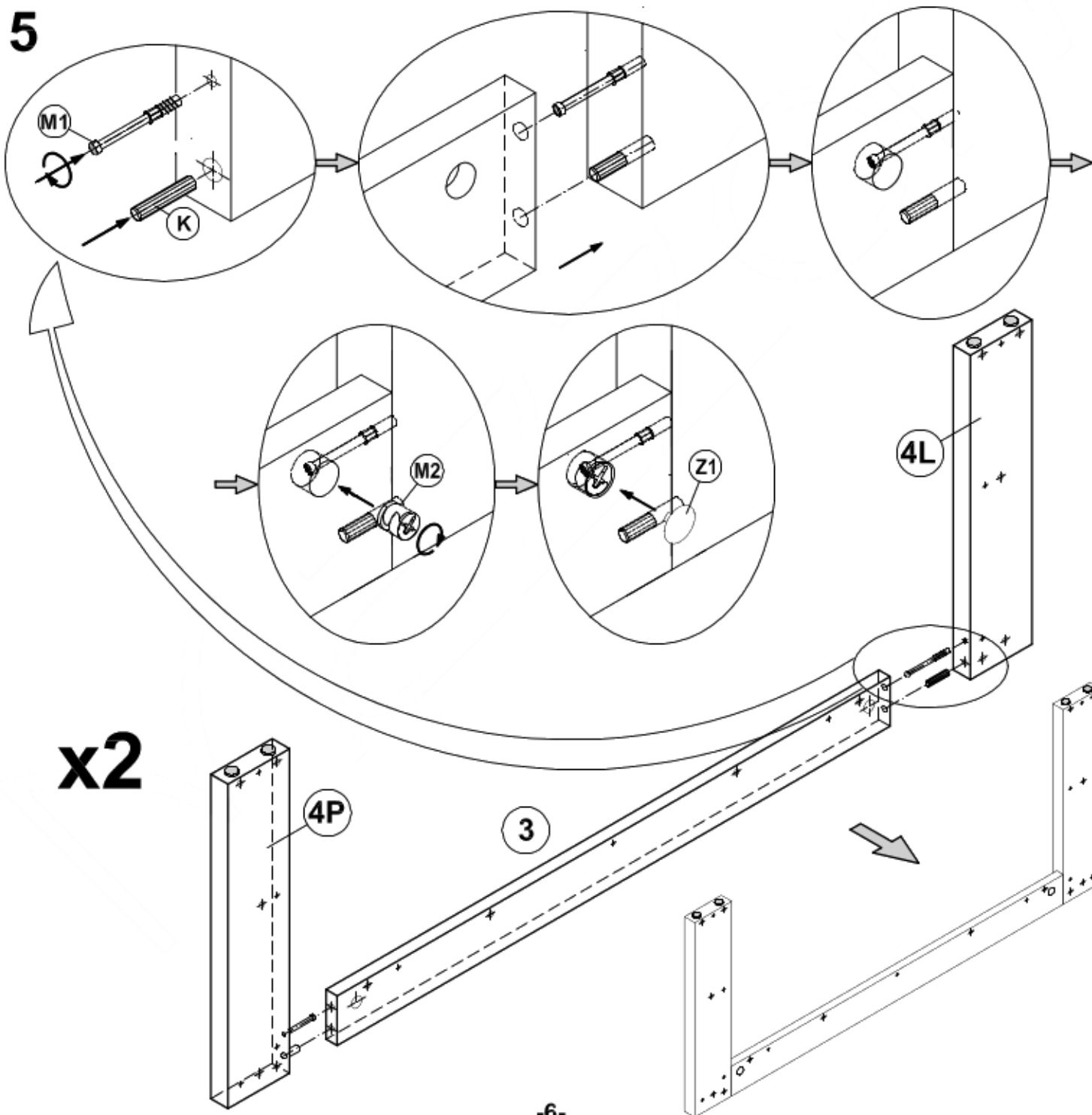


2

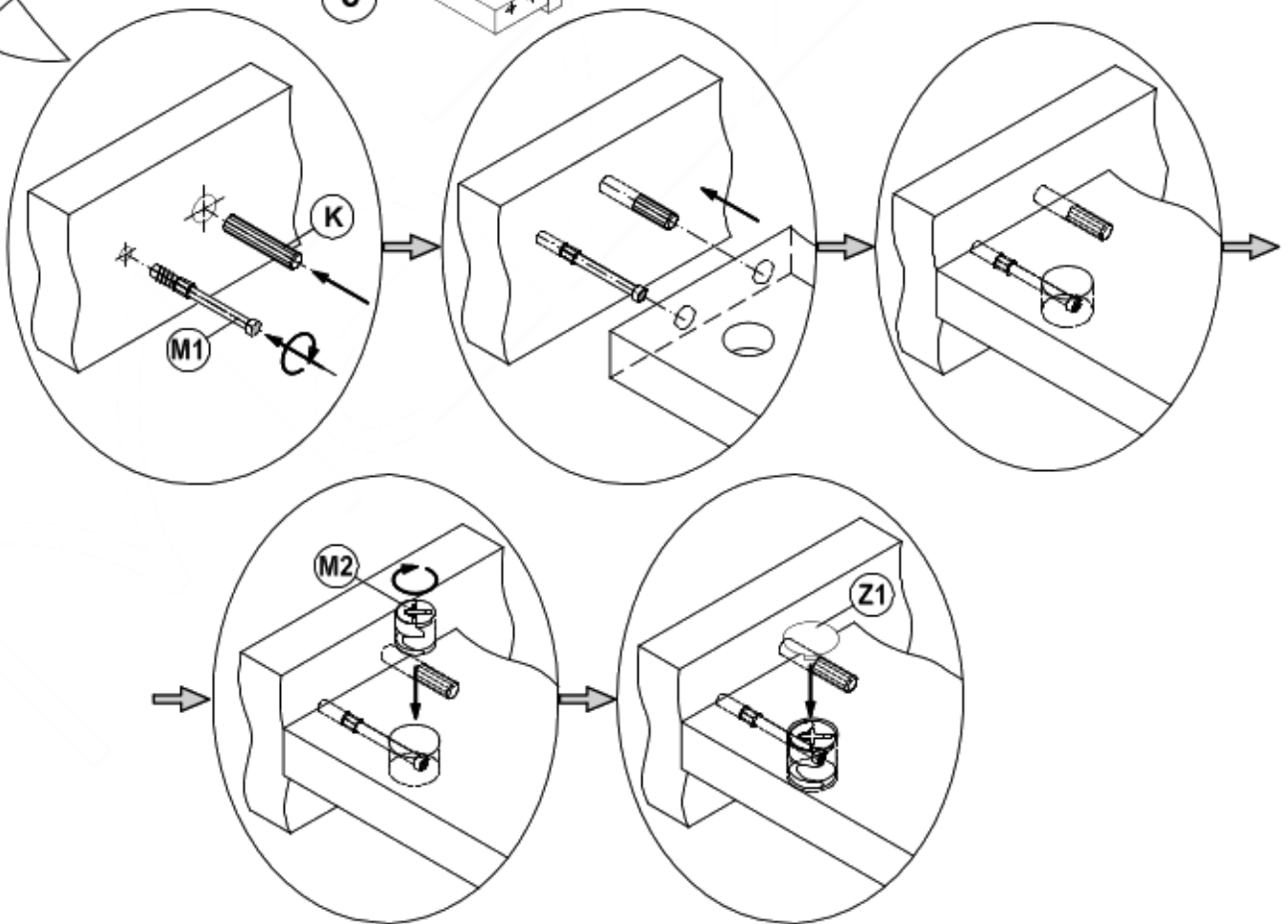
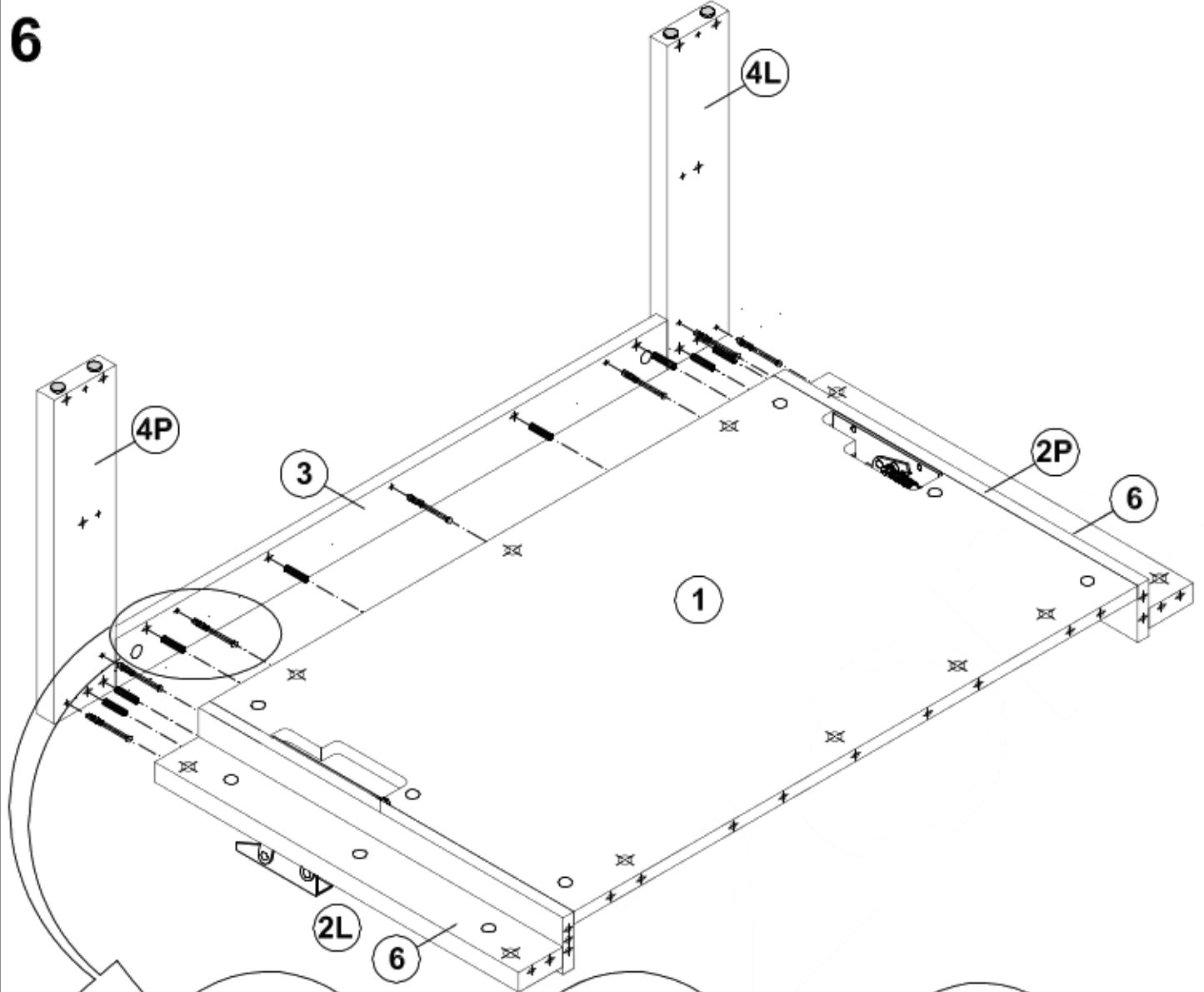


3

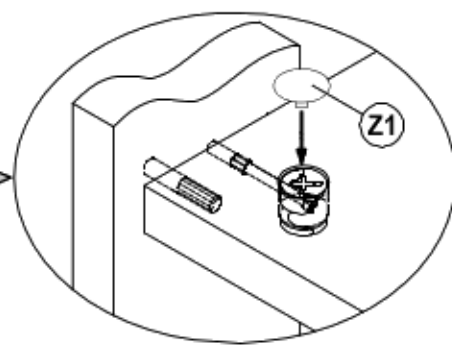
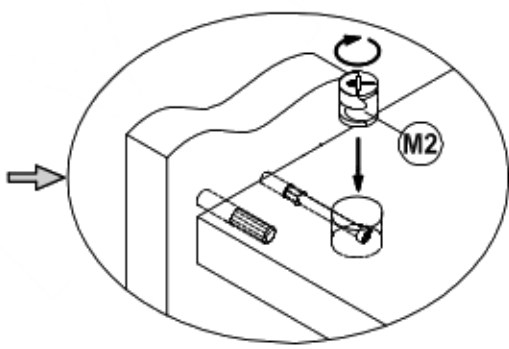
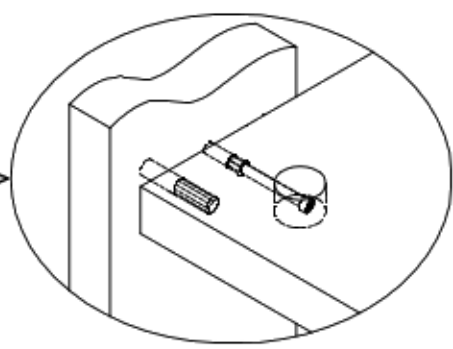
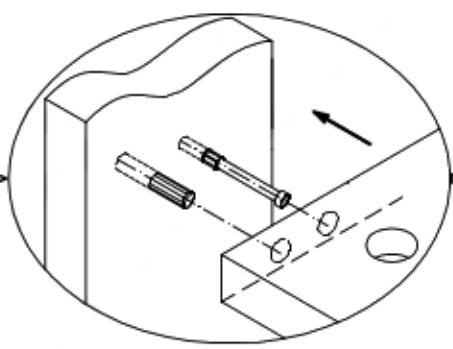
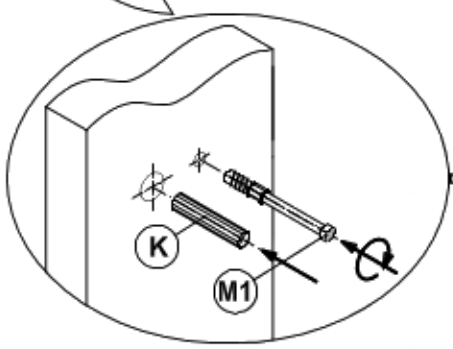
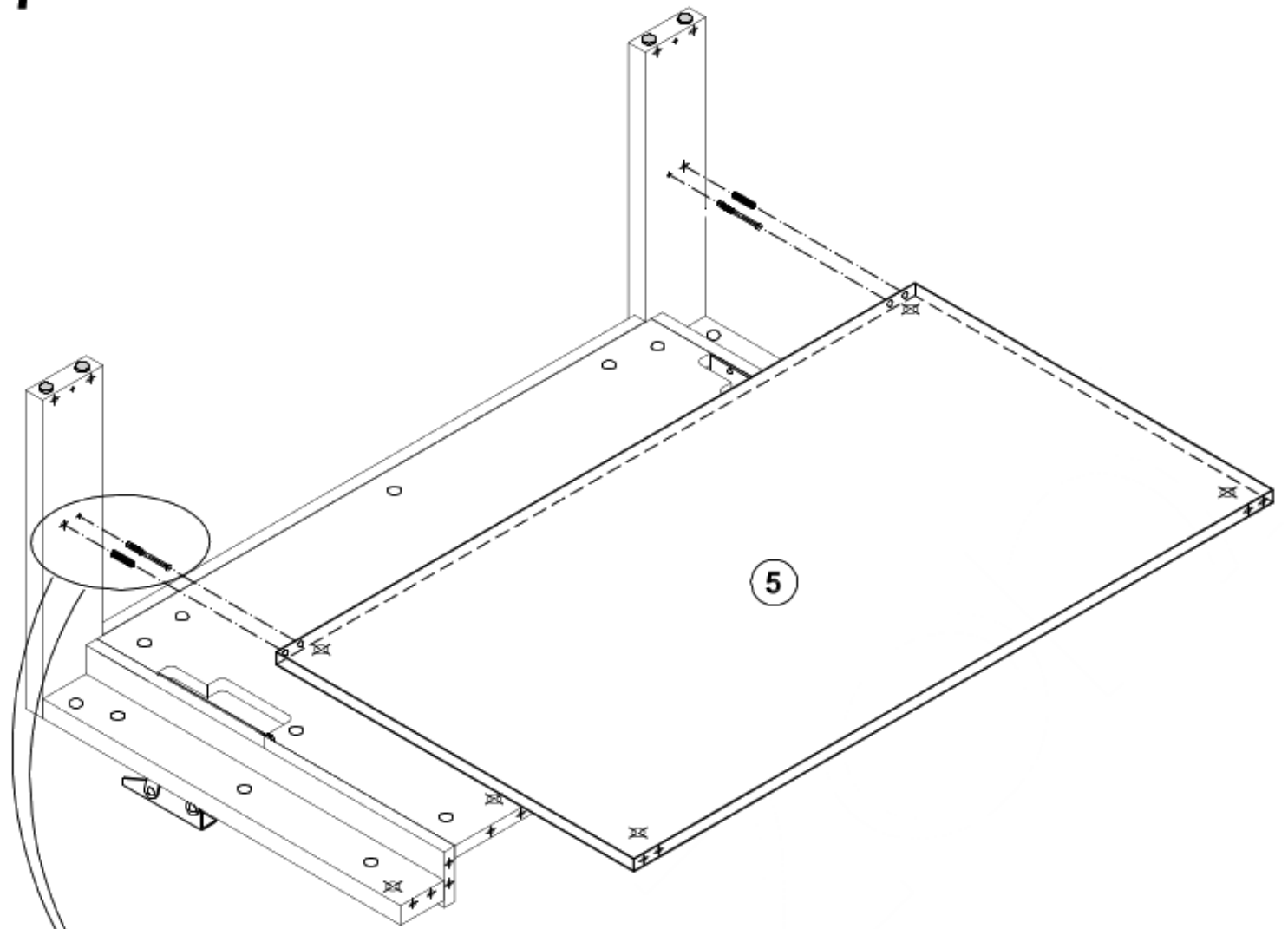


4**x2****5****x2**

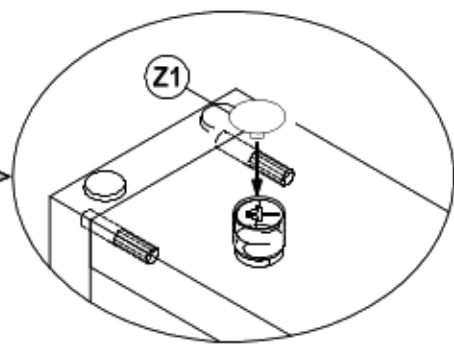
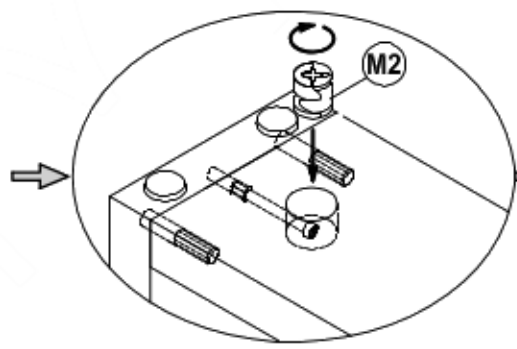
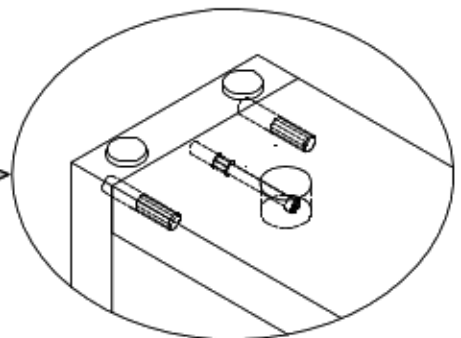
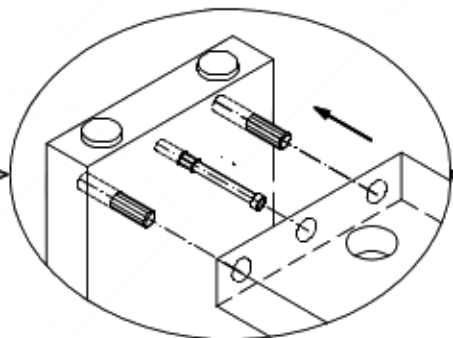
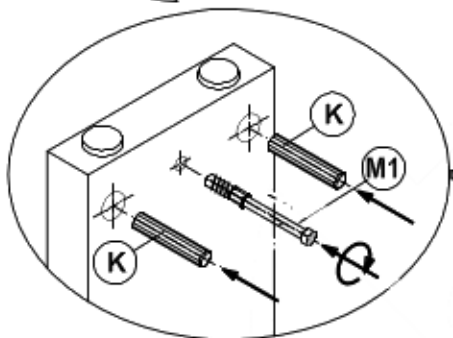
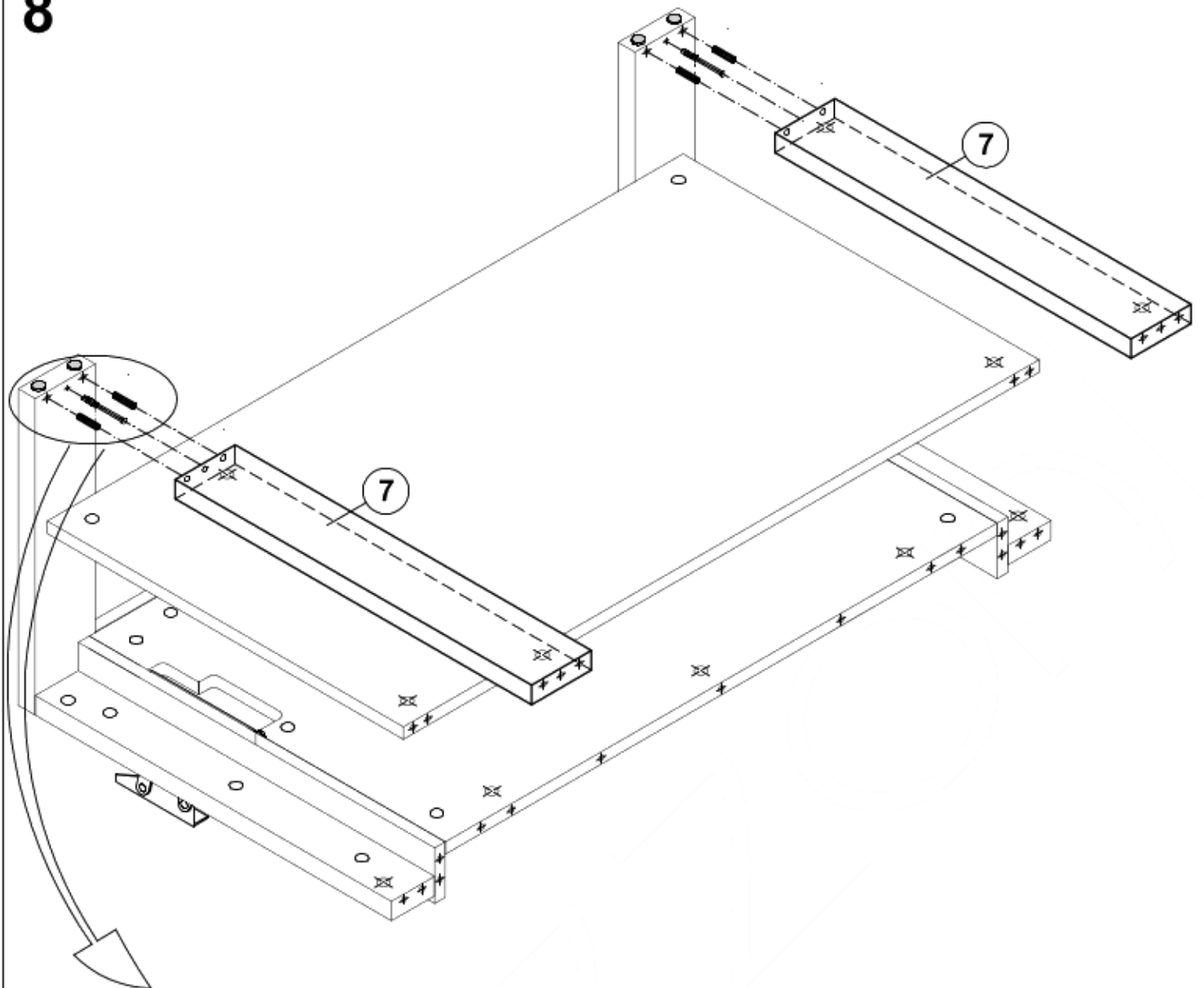
6



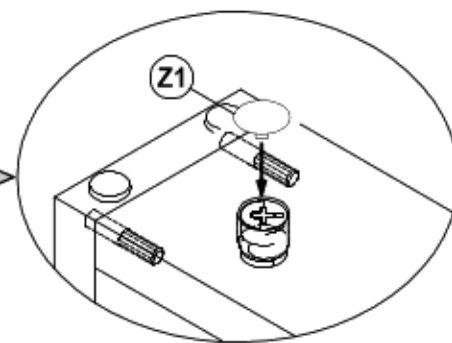
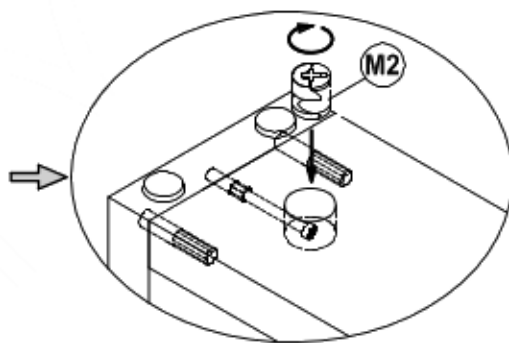
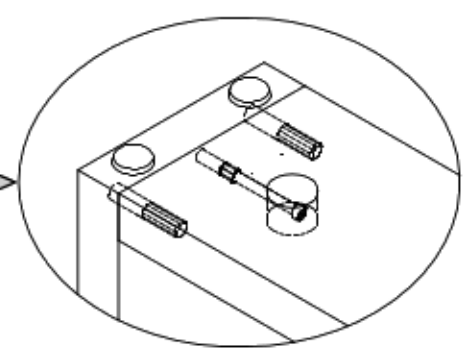
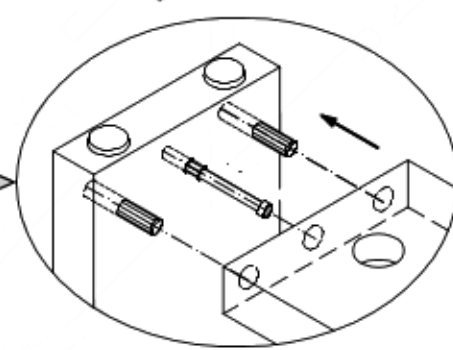
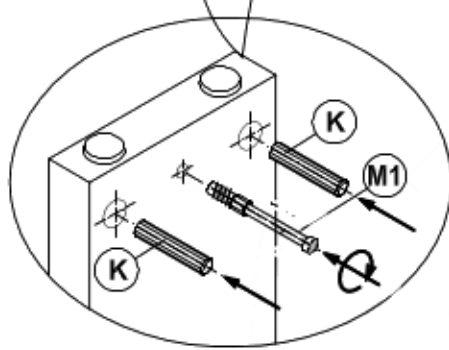
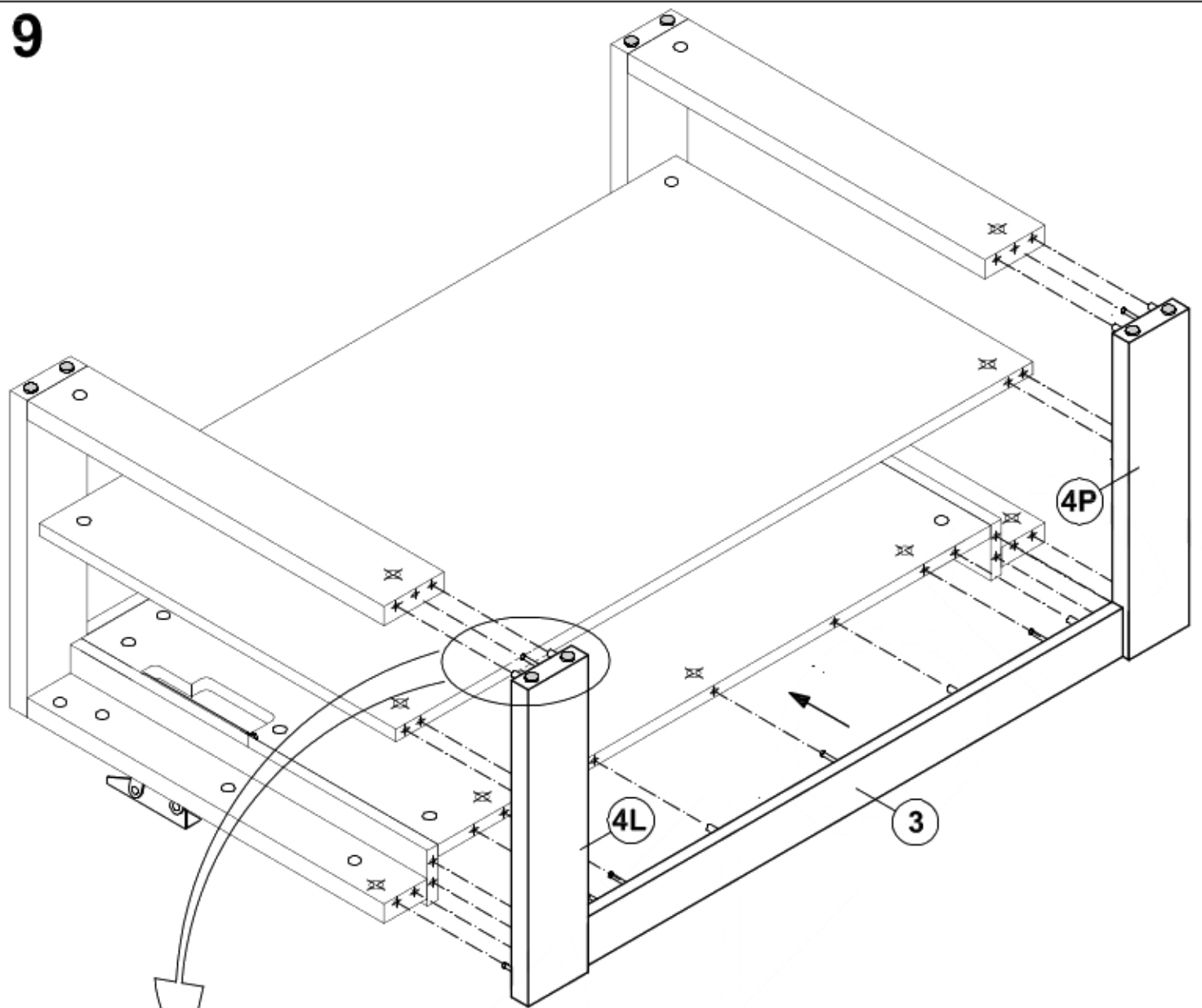
7



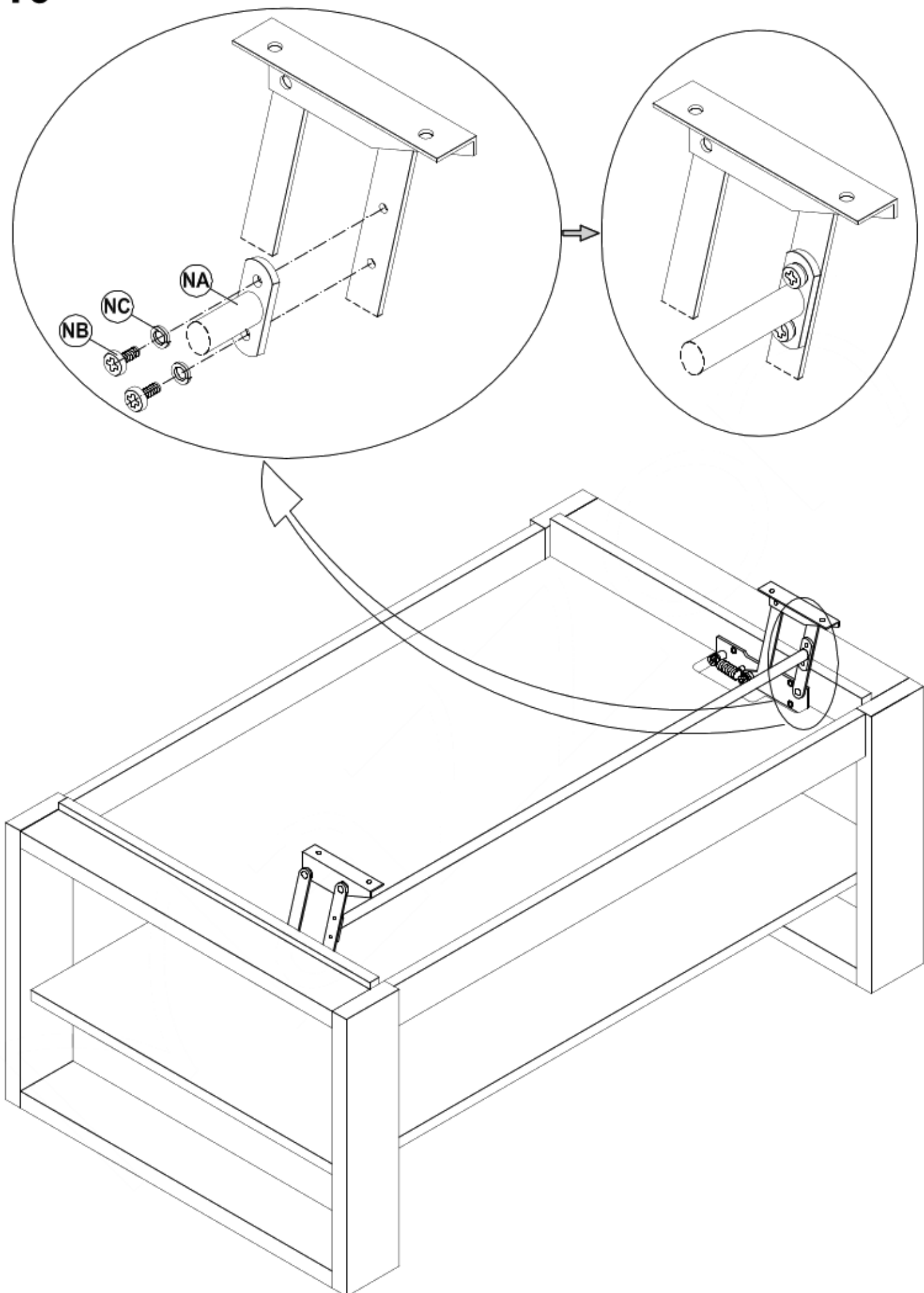
8



9

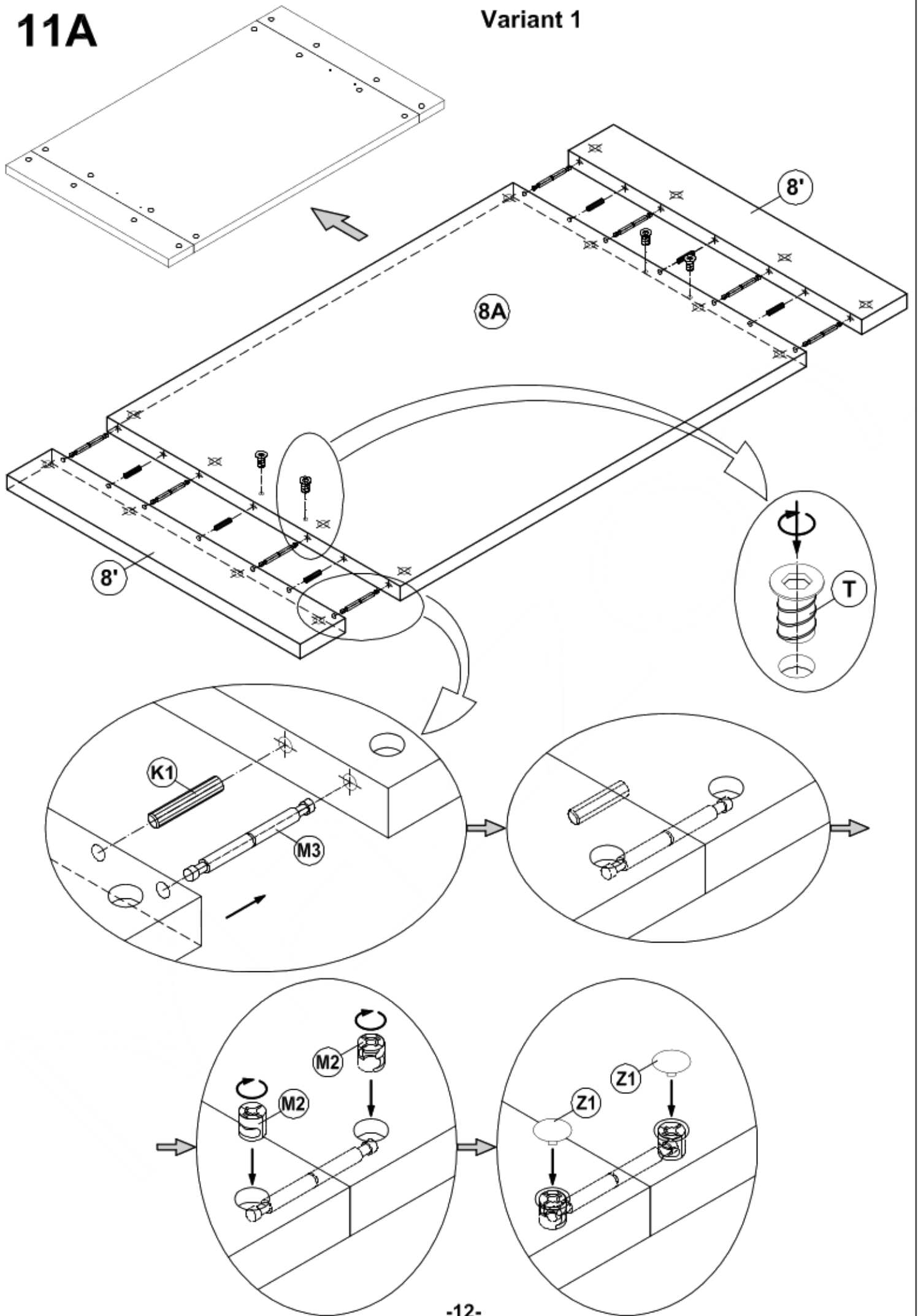


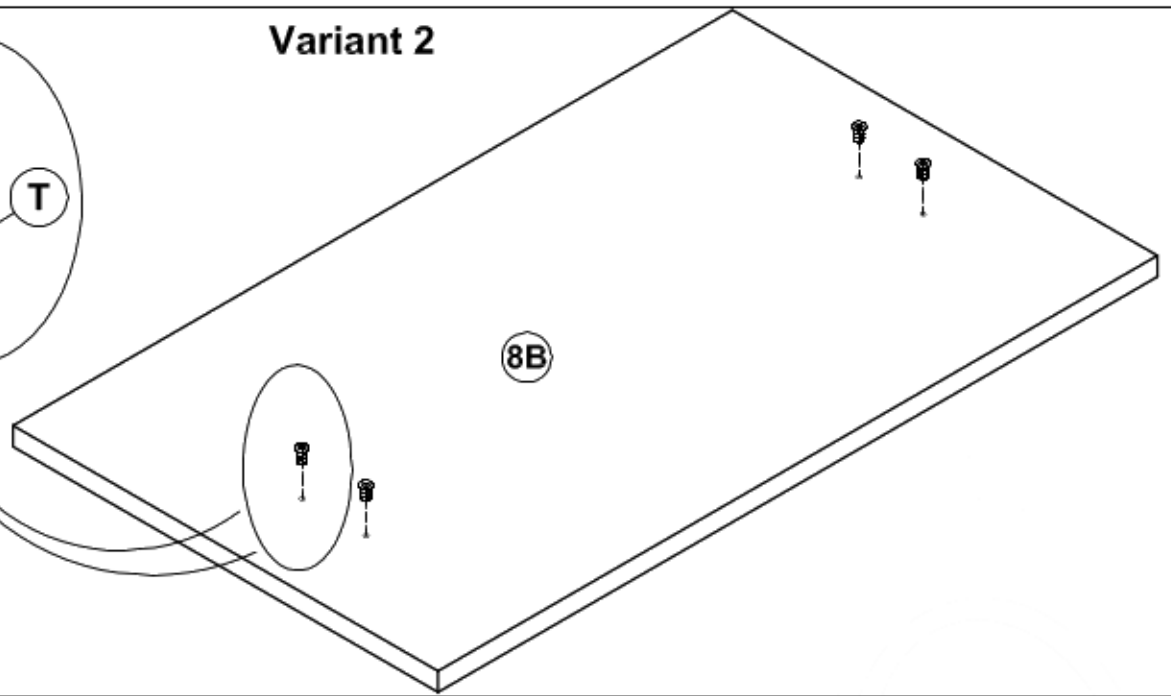
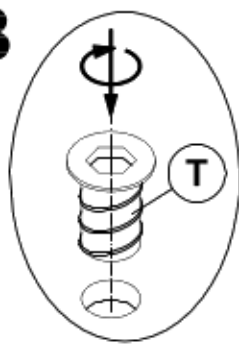
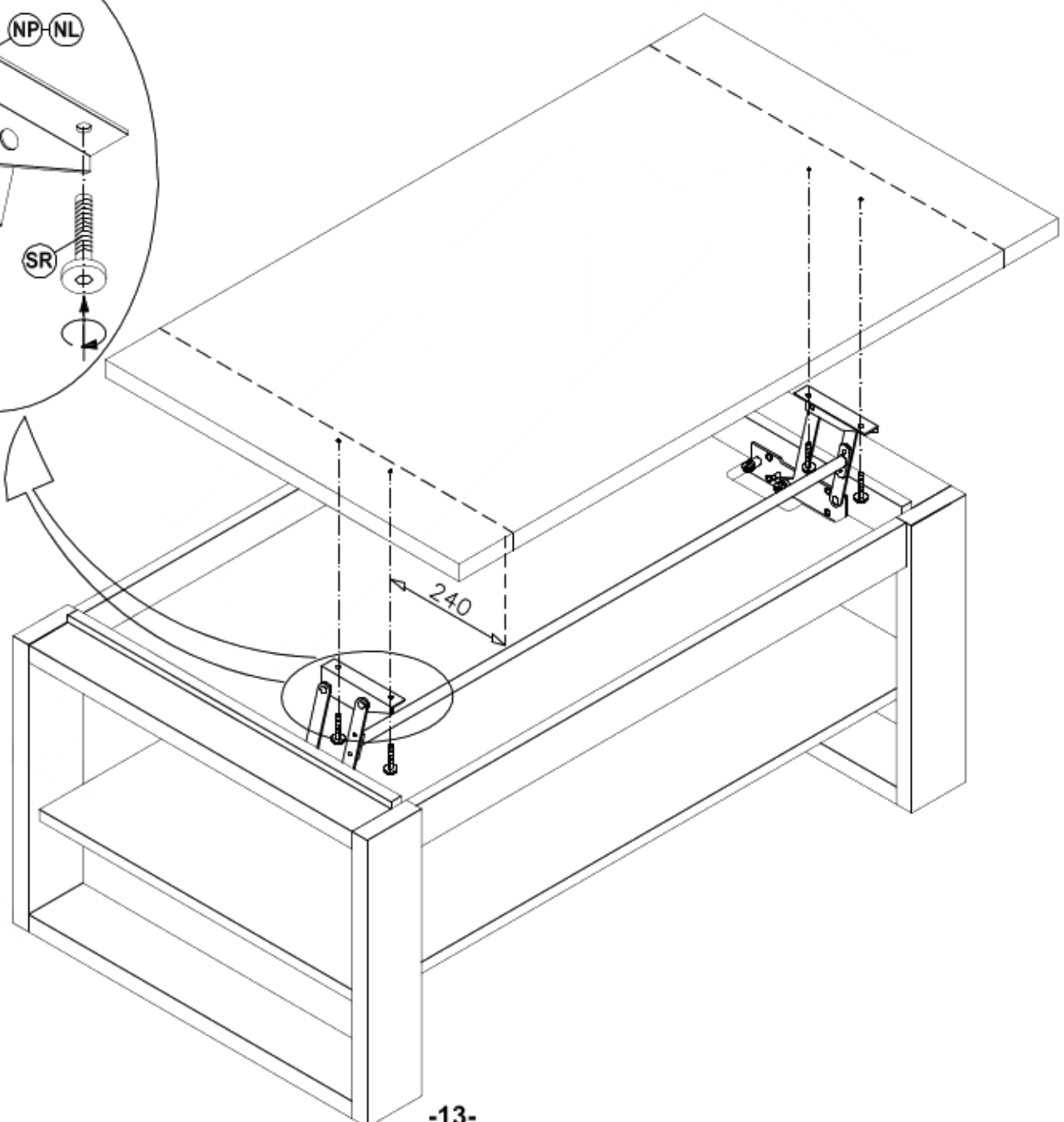
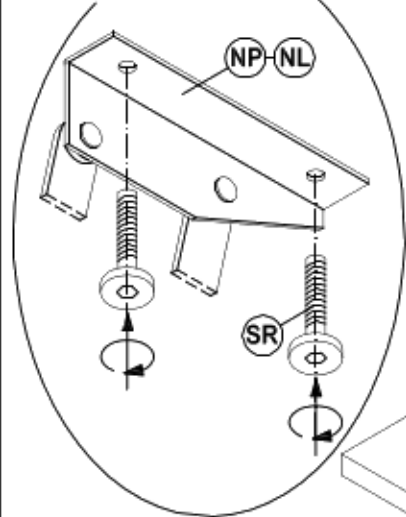
10



11A

Variant 1



11B**Variant 2****11A/B****Variant 1 / Variant 2**

12A/B

Variant 1 / Variant 2

