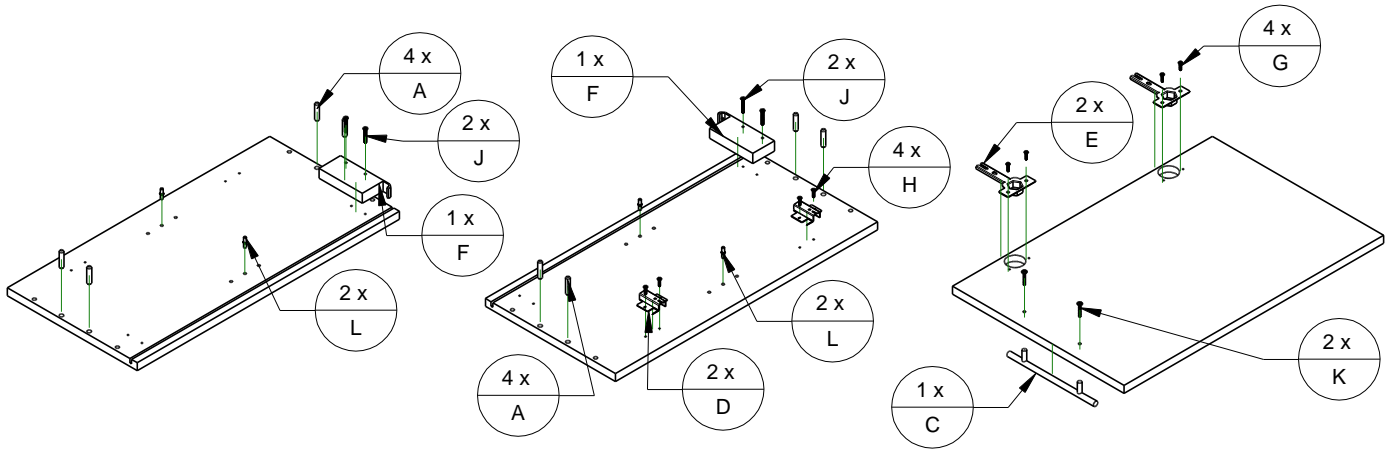
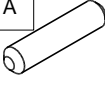
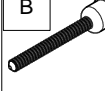
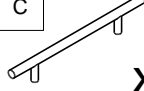
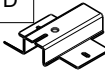
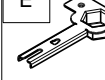
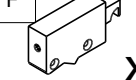
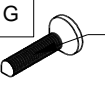
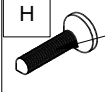
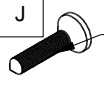
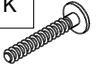
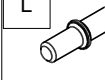
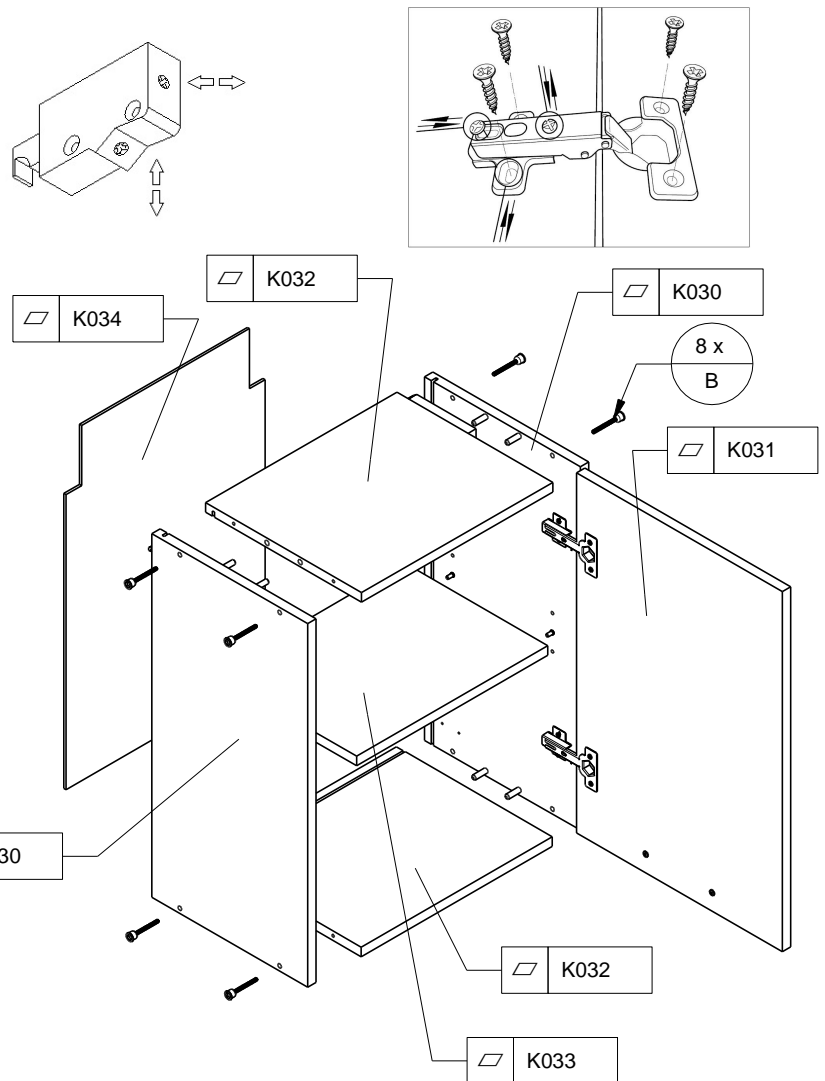


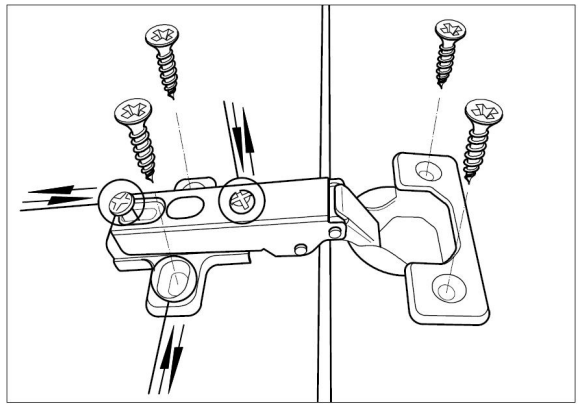
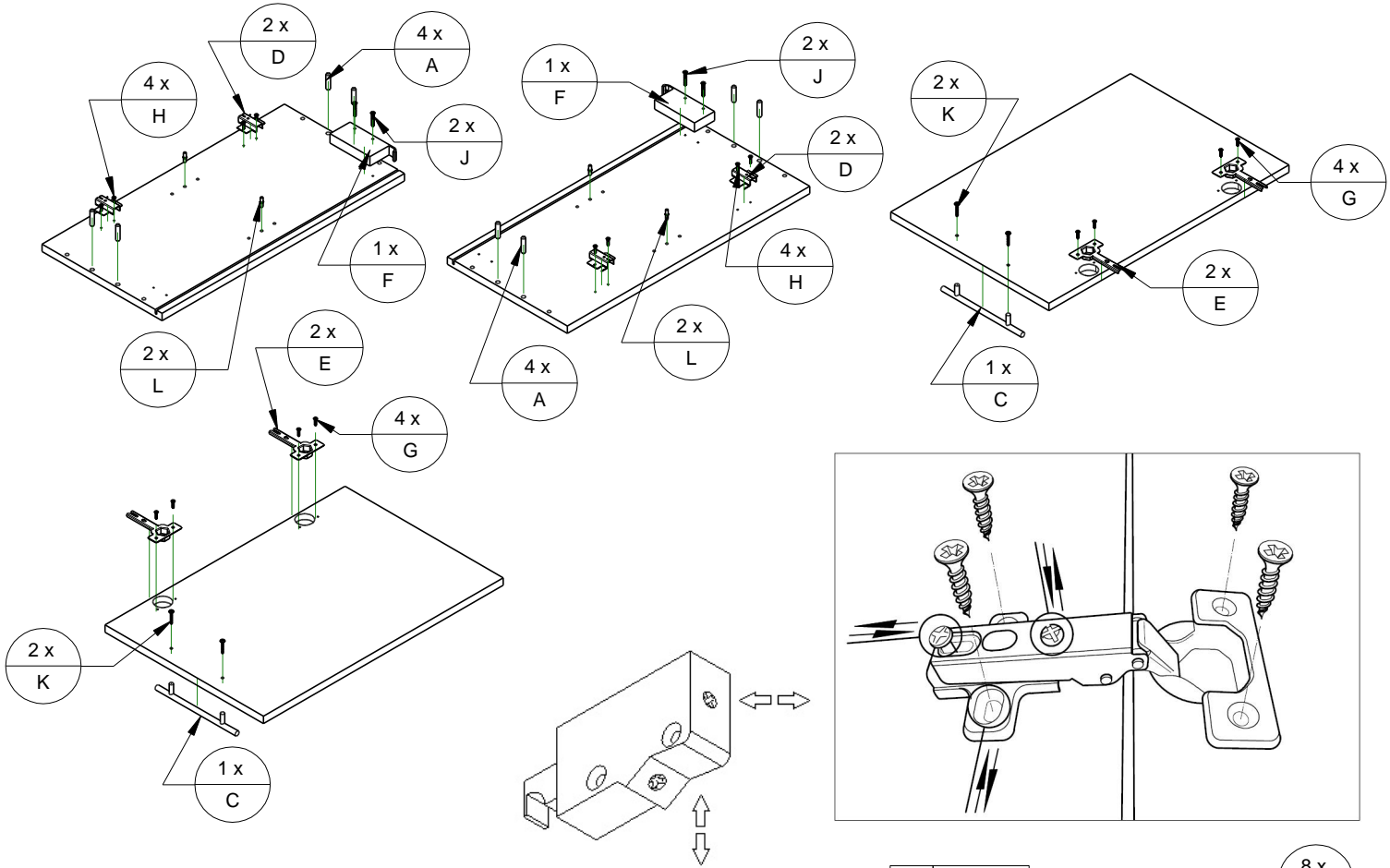
G30/40/60 1F

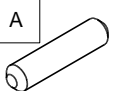
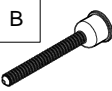
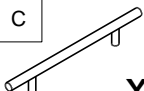


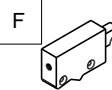

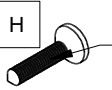
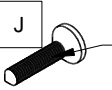
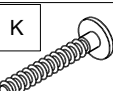
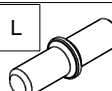


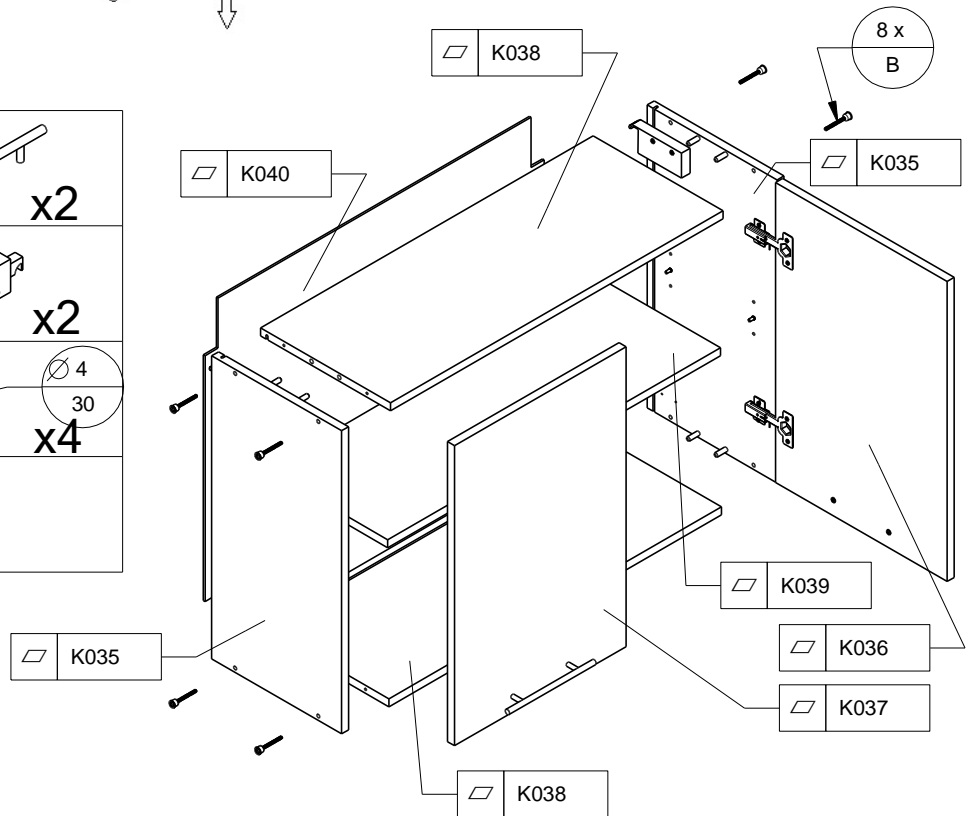
| | | | | | | | | | | | |
|---|--|-------------------------|----|---|---|-----------------------|---|----|---|-----------------------|----|
| A |  | x8 | B |  | x8 | C |  | x1 | | | |
| D |  | x2 | E |  | x2 | F |  | x2 | | | |
| G |  | $\varnothing 3,5$ 16 | x4 | H |  | $\varnothing 4$ 16 | x4 | J |  | $\varnothing 4$ 30 | x4 |
| K |  | x2 | L |  | x4 | M | | | | | |



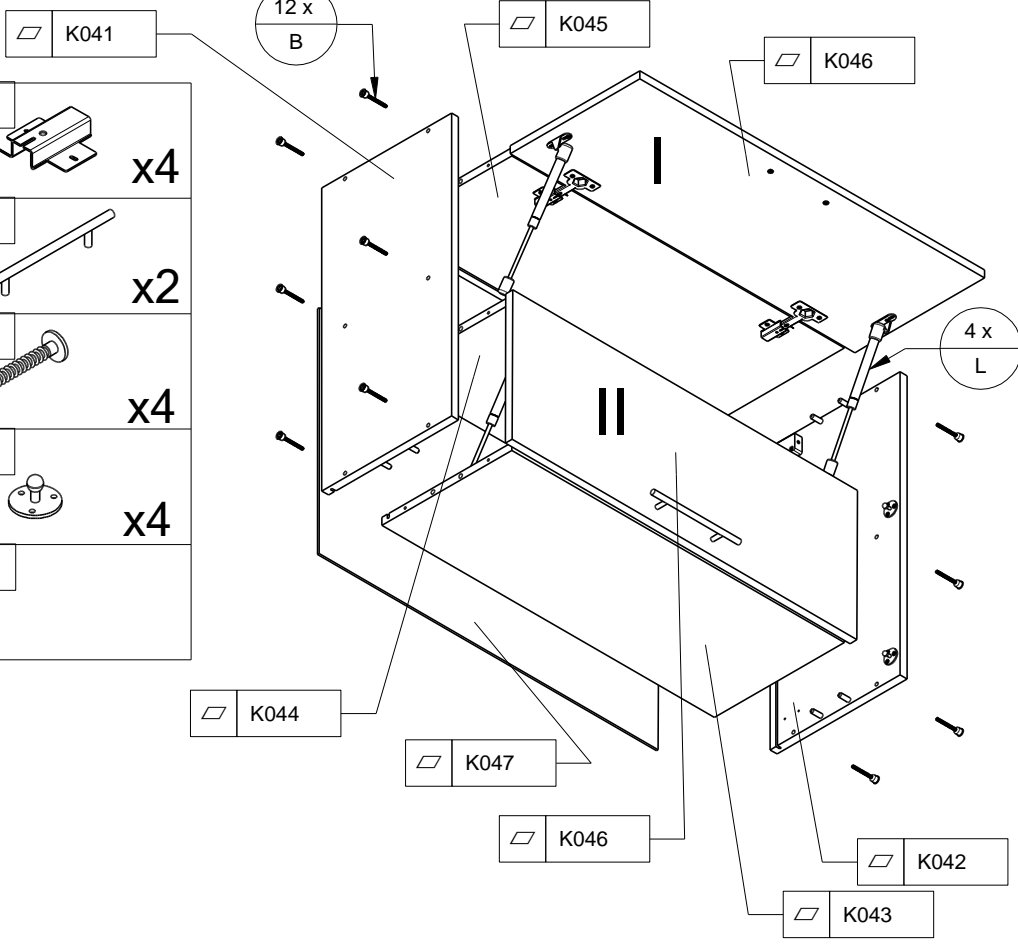
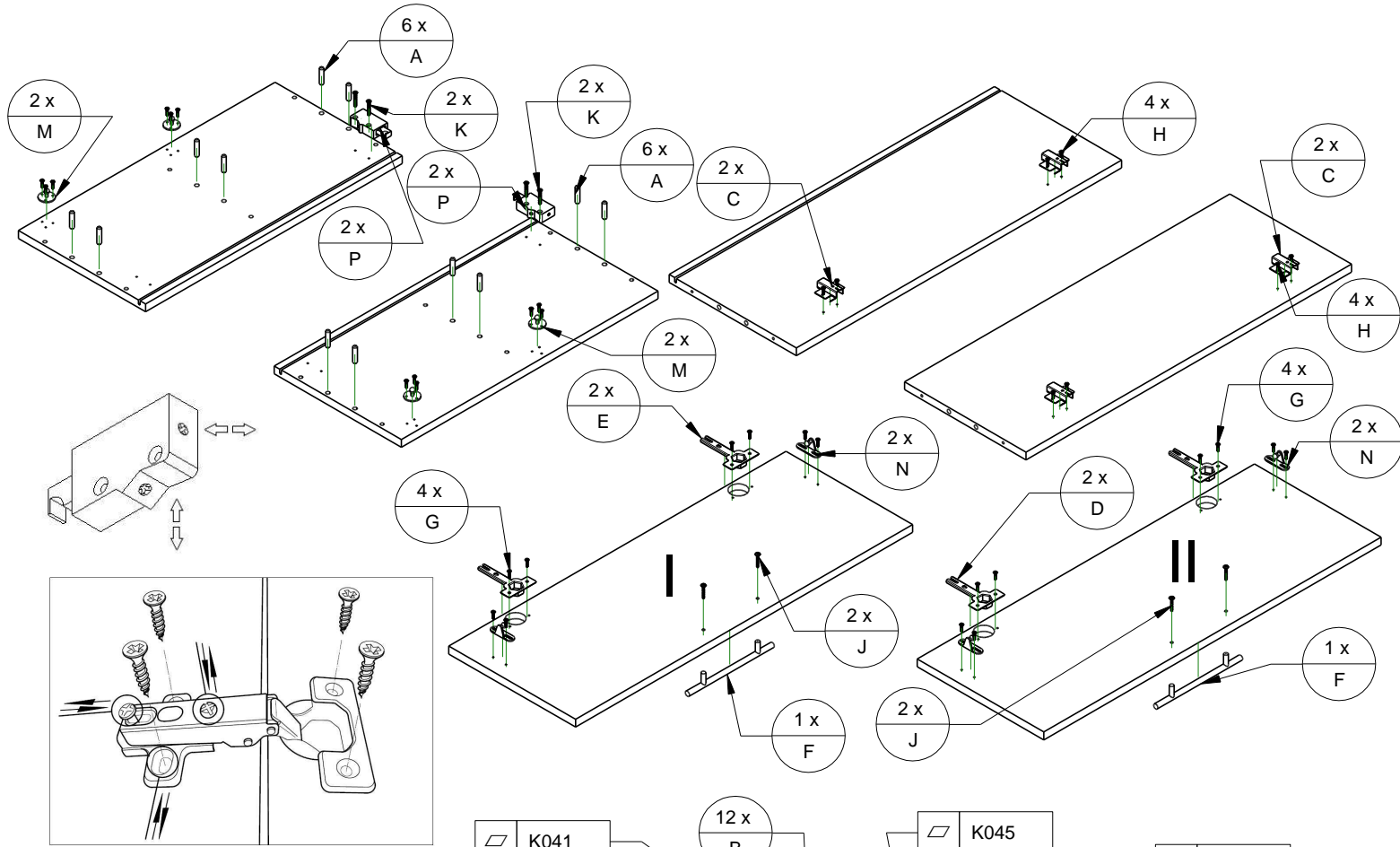
G80

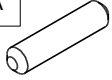

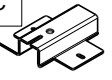




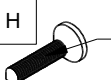
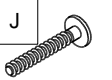

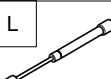


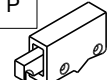


| | | |
|---|--|--|
| A | B | C |
|  x8 |  x8 |  x2 |
| D | E | F |
|  x4 |  x4 |  x2 |
| G | H | J |
|  x8 |  x8 |  x4 |
| K | L | M |
|  x4 |  x4 | |

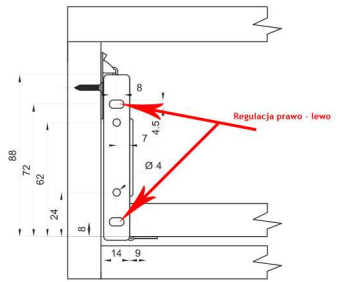
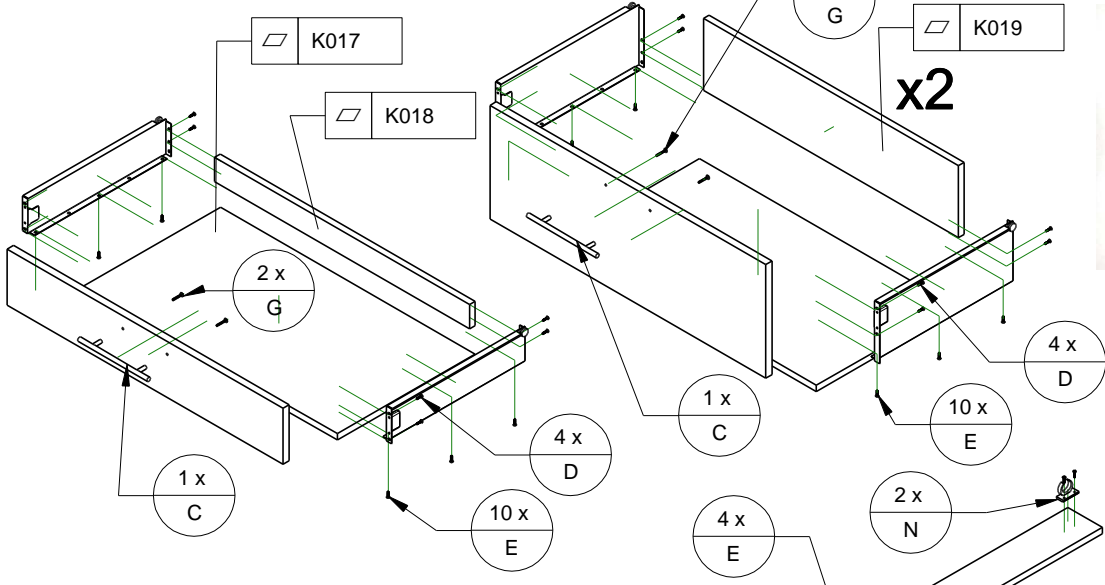
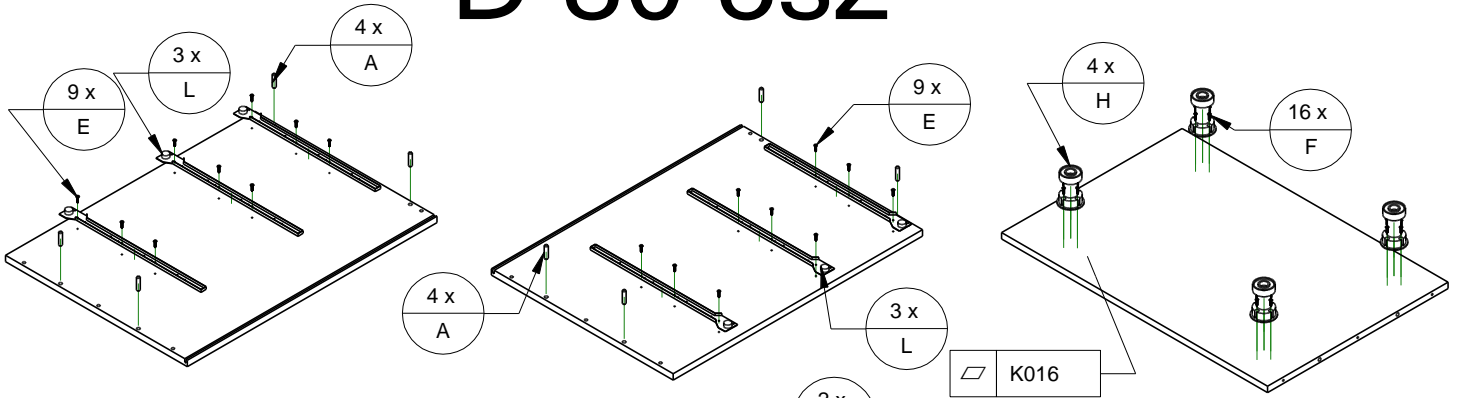


G80uw

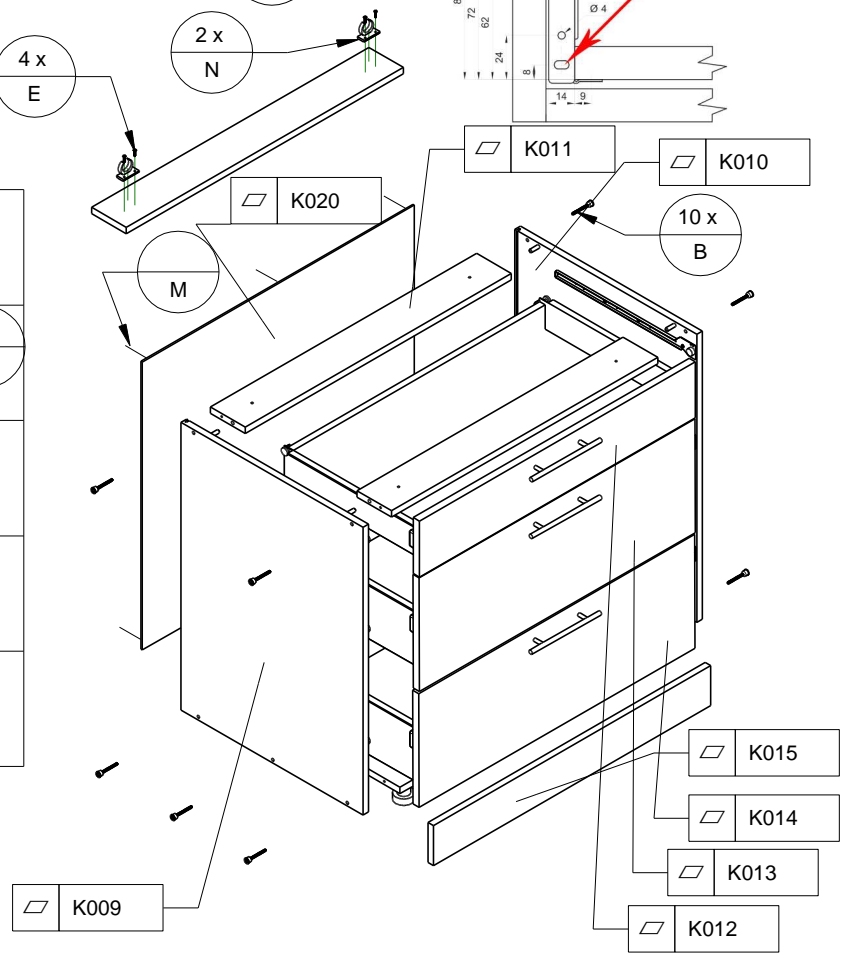


| | | |
|---|---|---|
| A | B | C |
|  |  |  |
| x12 | x12 | x4 |
| D | E | F |
|  |  |  |
| x2 | x2 | x2 |
| G | H | J |
|  |  |  |
| $\varnothing 3,5$ 16 x8 | $\varnothing 4$ 16 x8 | x4 |
| K | L | M |
|  |  |  |
| $\varnothing 4$ 30 x4 | x4 | x4 |
| N | P | R |
|  |  | |
| x4 | x2 | |

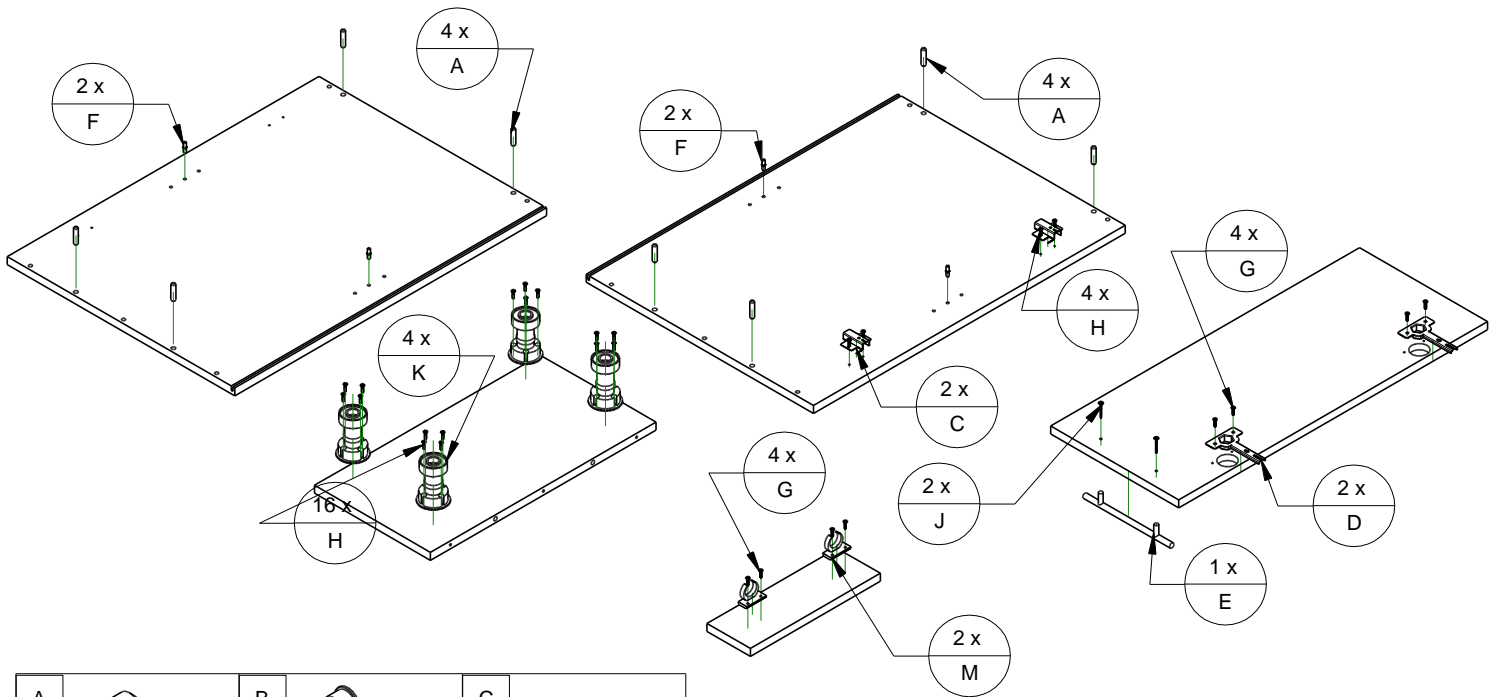
D 80 3sz

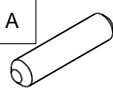
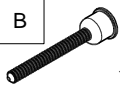

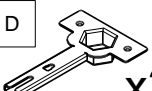
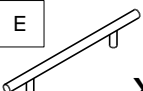
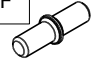
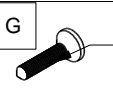
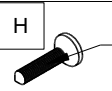
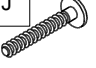
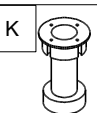
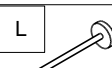
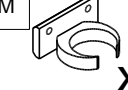


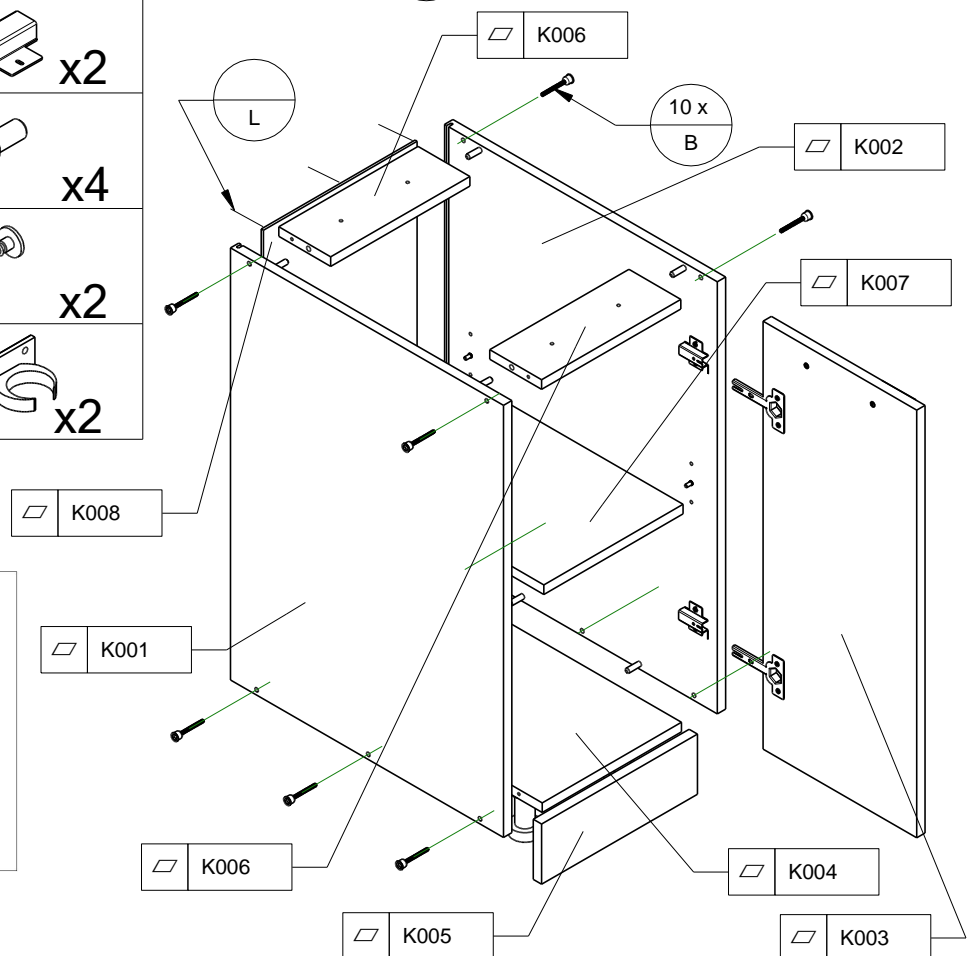
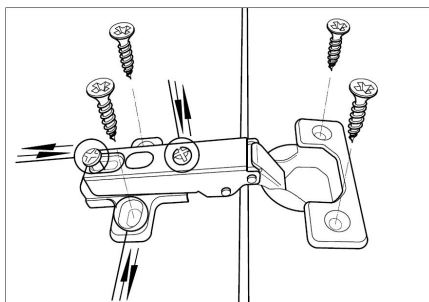
| | | |
|-----|-----|-----|
| A | B | C |
| | | |
| x8 | x10 | x3 |
| D | E | F |
| | | |
| x12 | x52 | x16 |
| G | H | J |
| | | |
| x6 | x4 | x2 |
| K | L | M |
| | | |
| x4 | x6 | x20 |
| N | P | R |
| | | |
| x2 | | |



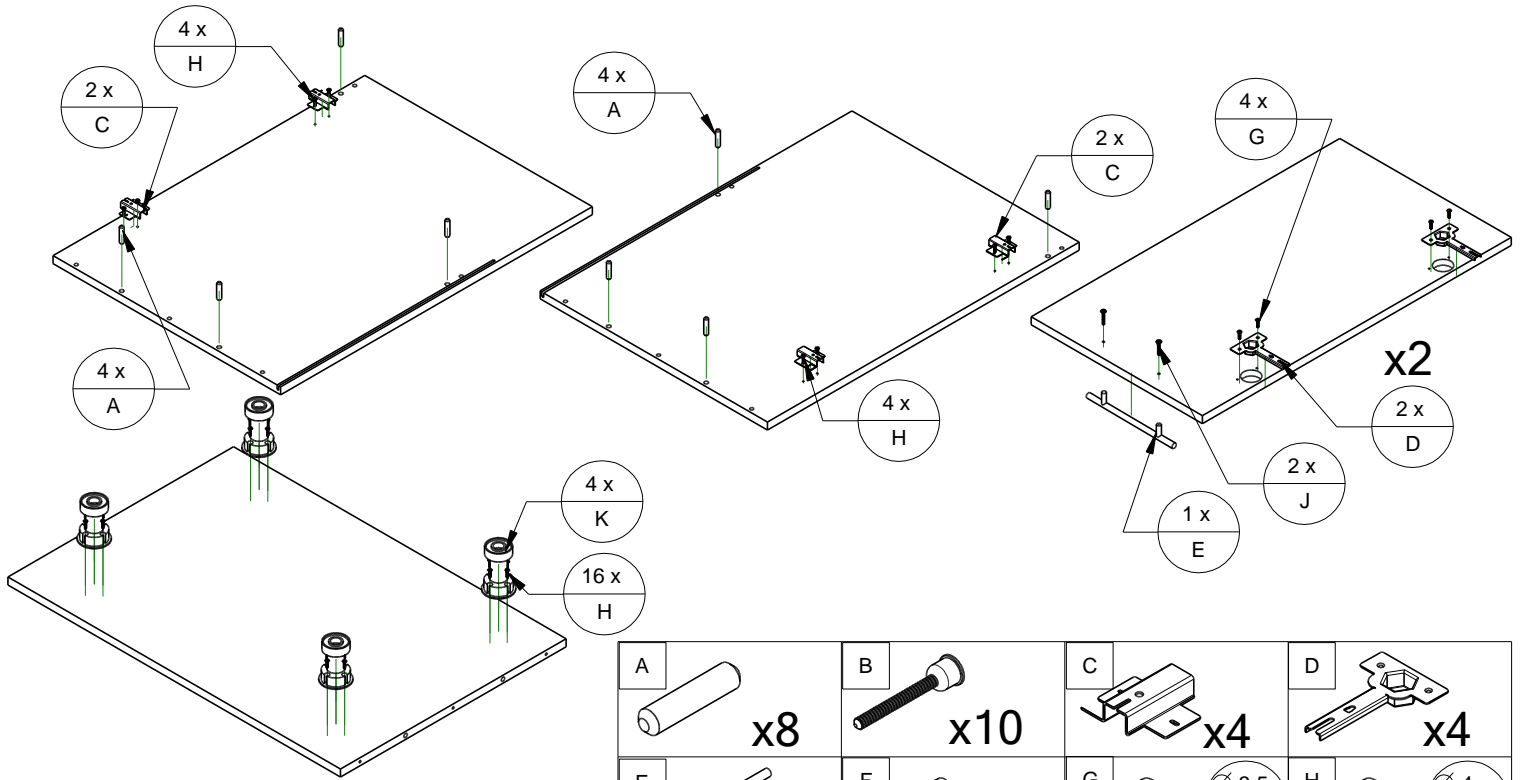
D 30/40/60 1F

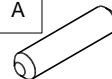
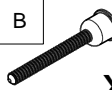
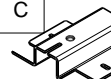
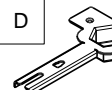

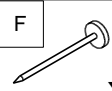
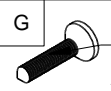
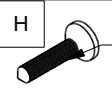
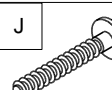
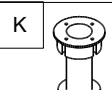
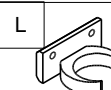


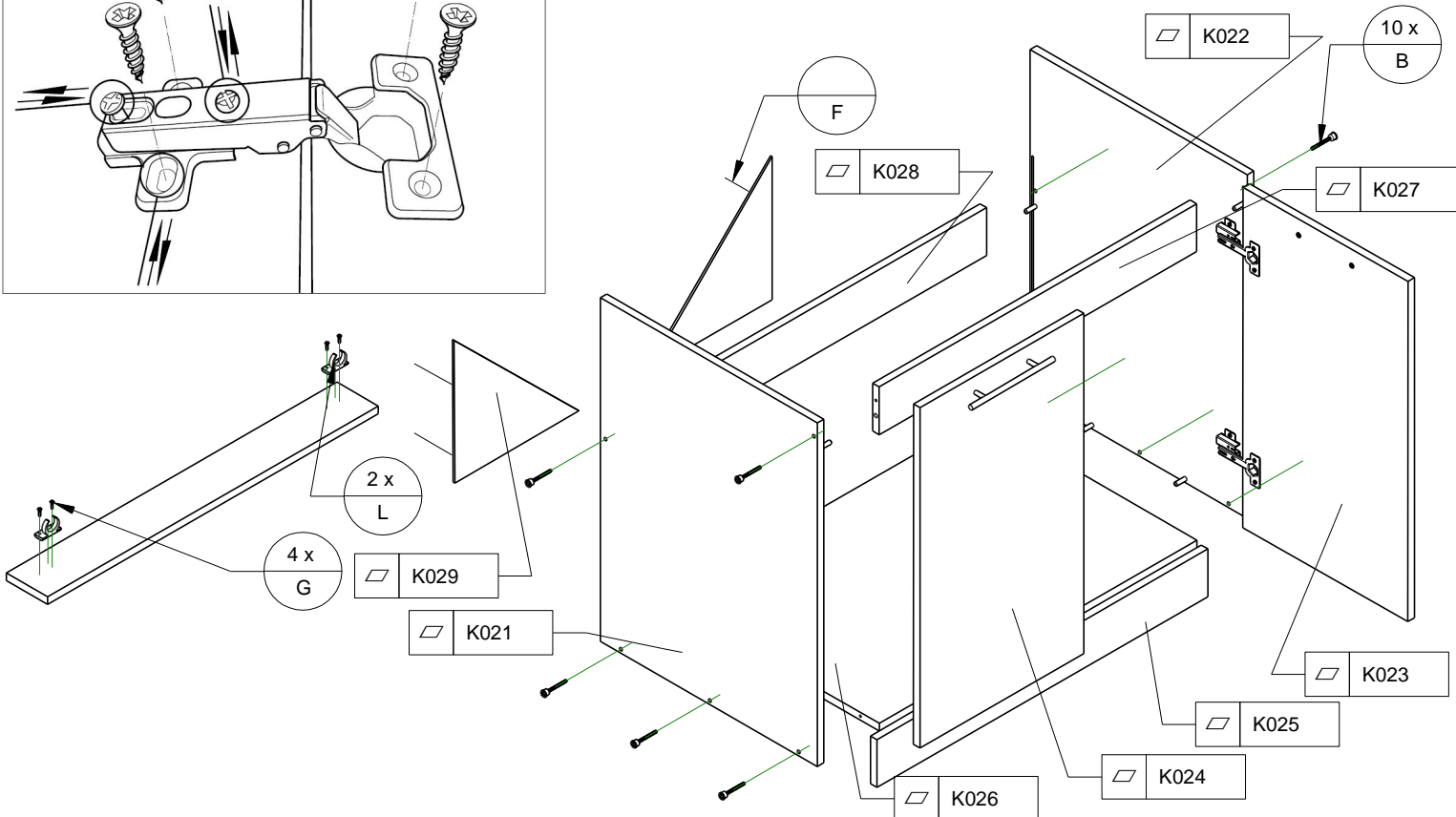
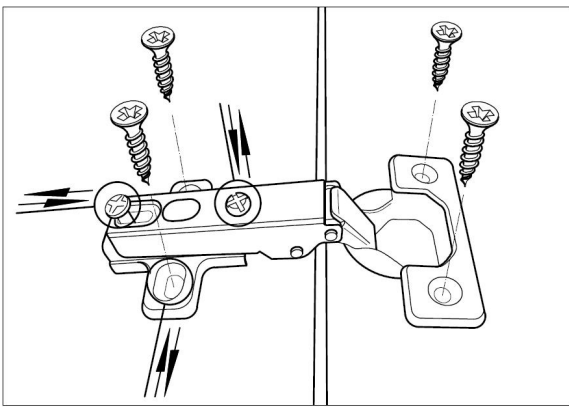
| | | | | | |
|---|---|---|---|---|--|
| A |  x8 | B |  x10 | C |  x2 |
| D |  x2 | E |  x1 | F |  x4 |
| G |  $\varnothing 3,5$ 16 x8 | H |  $\varnothing 4$ 16 x20 | J |  x2 |
| K |  x4 | L |  x20 | M |  x2 |



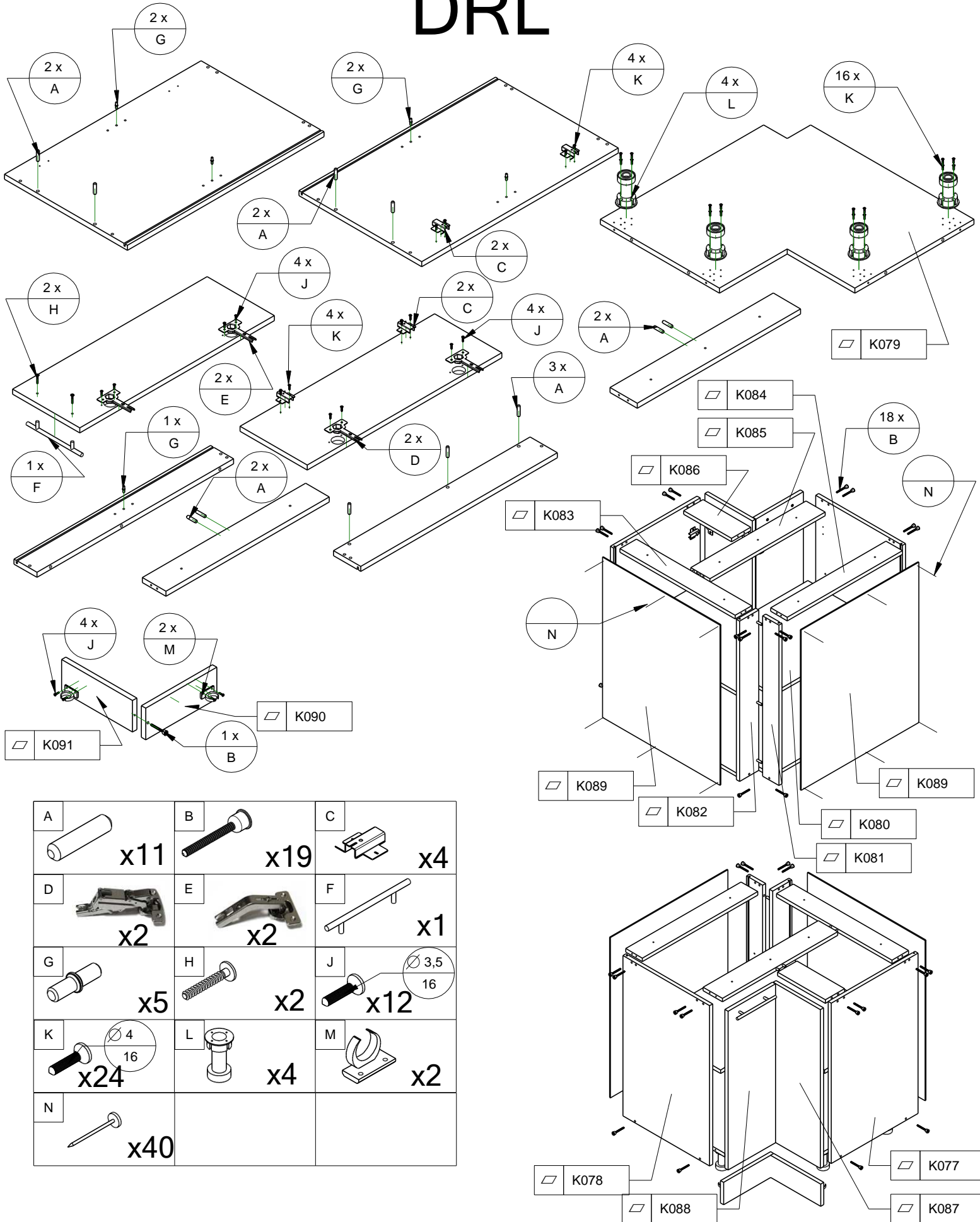
D 80zi

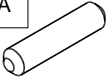




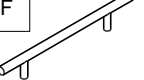
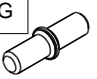
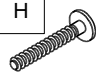
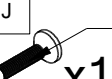

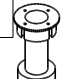




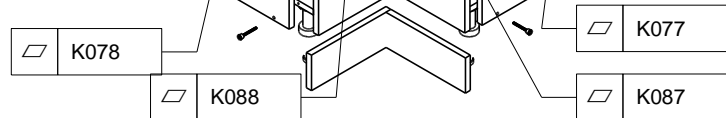
| | | | | | | | |
|---|--|---|--|---|--|---|---|
| A |  x8 | B |  x10 | C |  x4 | D |  x4 |
| E |  x2 | F |  x10 | G |  $\varnothing 3,5$ 16 x12 | H |  $\varnothing 4$ 16 x8 |
| J |  x4 | K |  x4 | L |  x2 | M | |



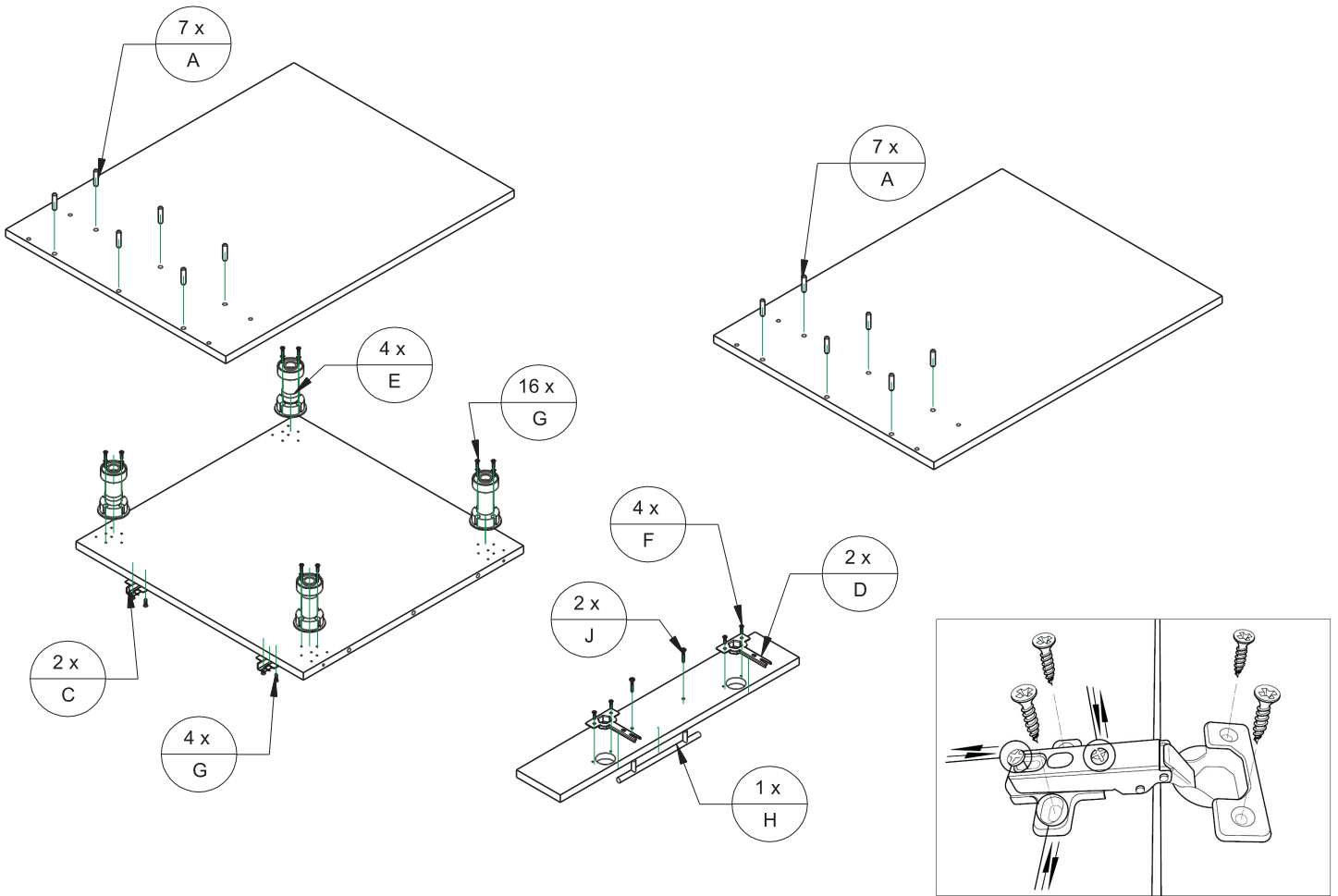
DRL

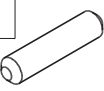

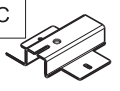
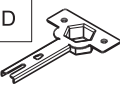
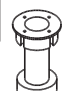


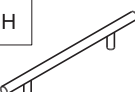
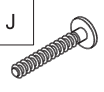


| | | |
|---|---|---|
| A | B | C |
|  x11 |  x19 |  x4 |
| D | E | F |
|  x2 |  x2 |  x1 |
| G | H | J |
|  x5 |  x2 |  x12 |
| K | L | M |
|  x24 |  x4 |  x2 |
| N | | |
|  x40 | | |



D 60 ku



| | | | | | | | | |
|---|---|------------------------|---|---|-----|---|---|-------------------------|
| A |  | x14 | B |  | x10 | C |  | x2 |
| D |  | x2 | E |  | x4 | F |  | $\varnothing 3,5$ x4 |
| G |  | $\varnothing 4$ x20 | H |  | x1 | J |  | x2 |

