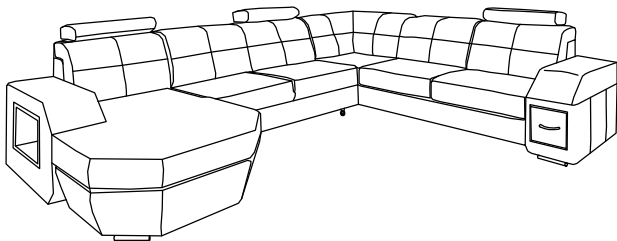
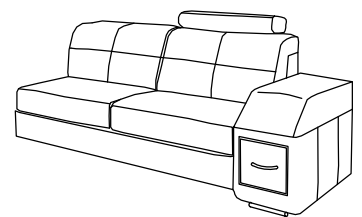
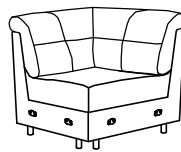
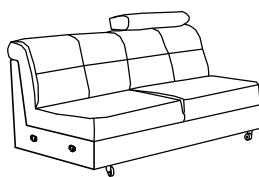
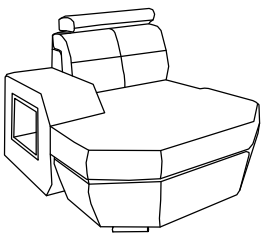
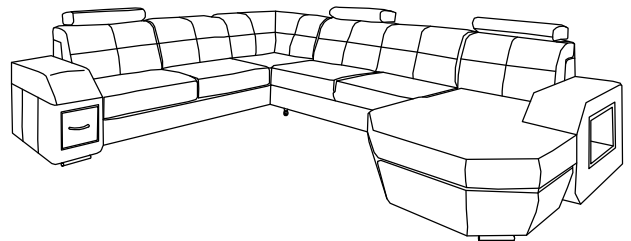


VERSION - L



VERSION - R



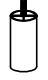


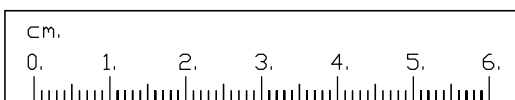
OBL

3F

R

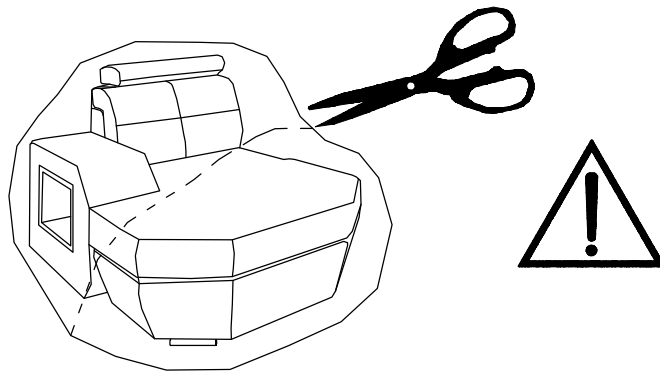
3BP

3.5x35mm 		
A	B	C
18	6	6



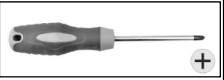
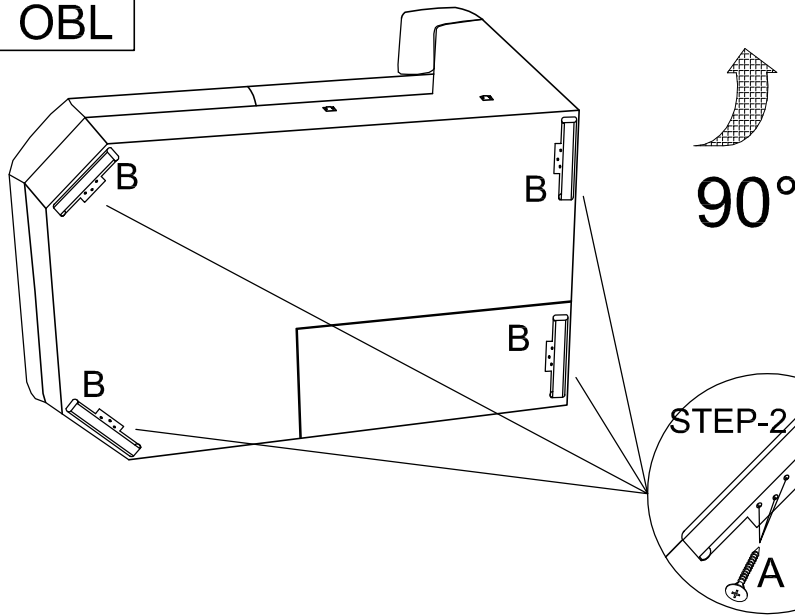
1

OBL



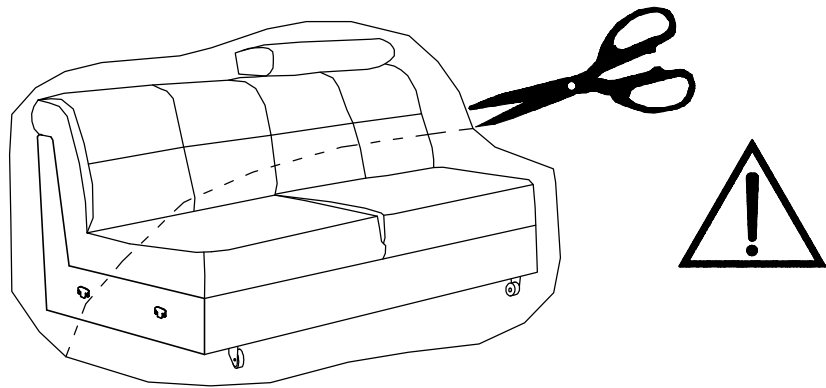
2

OBL



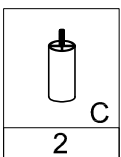
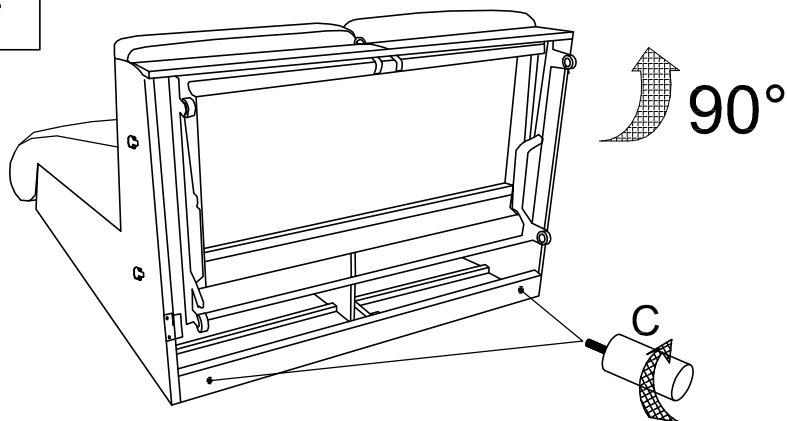
3

3F



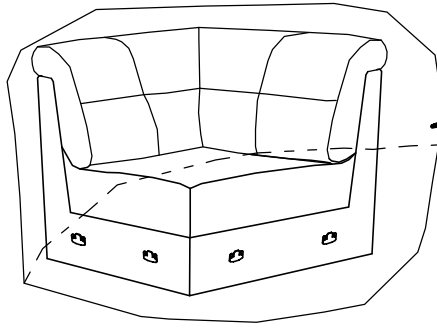
4

3F



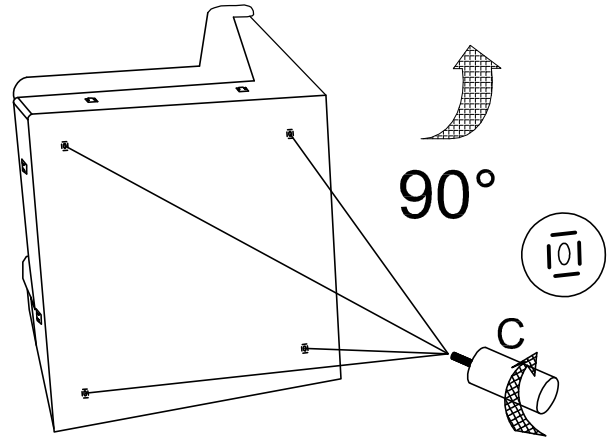
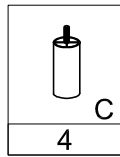
5

R



6

R

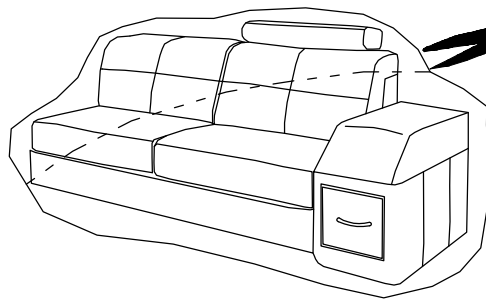


90°



7

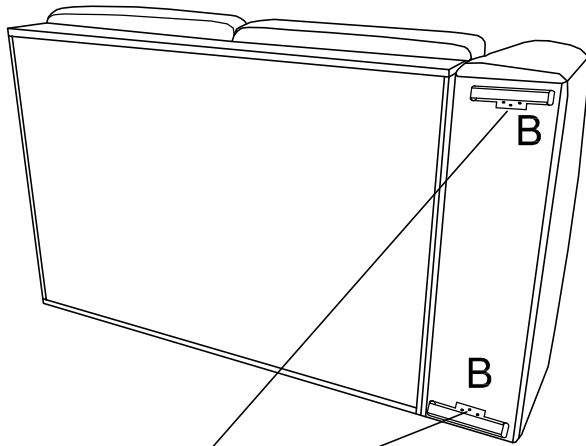
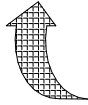
3BP



8

3BP

90°



3.5x35mm



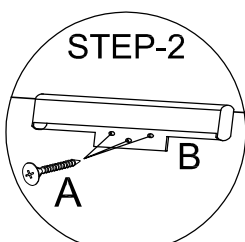
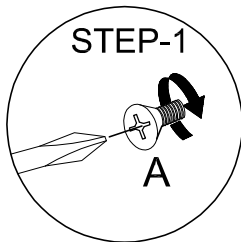
A

6

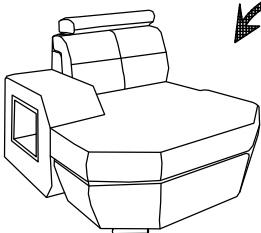


B

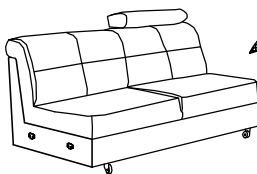
2



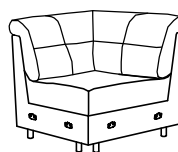
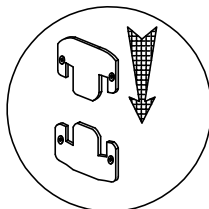
9



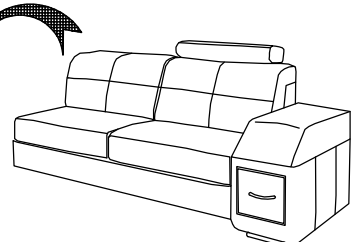
OBL



3F

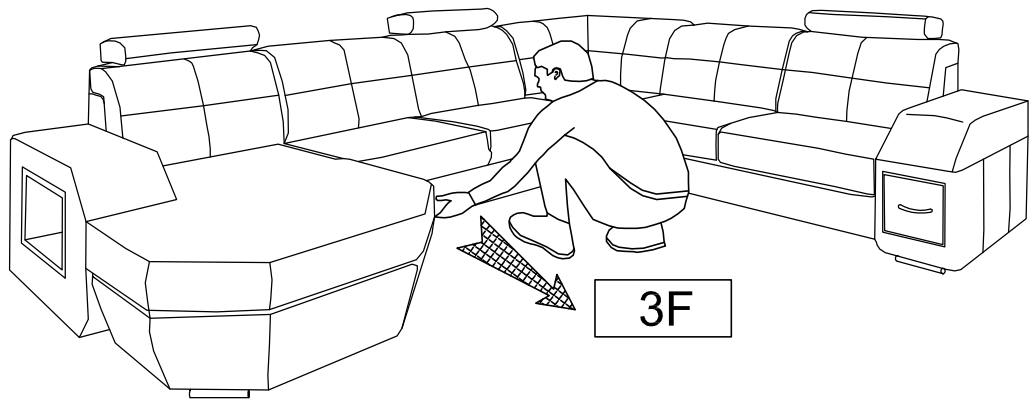


R

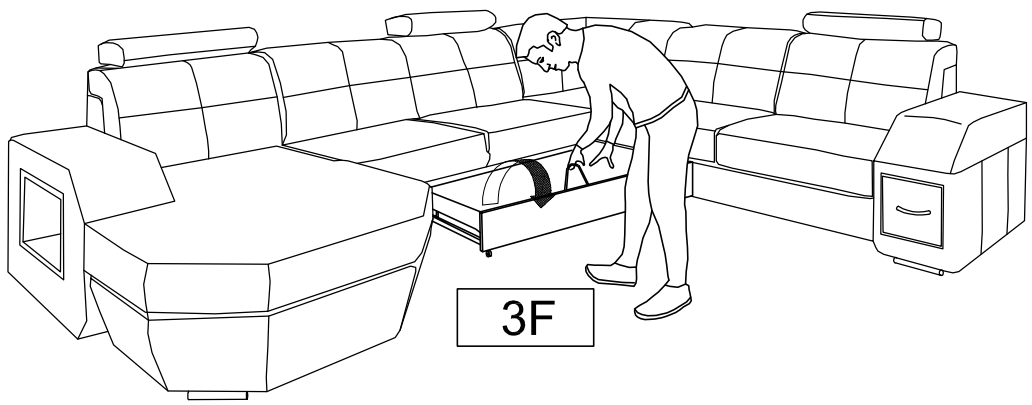


3BP

10

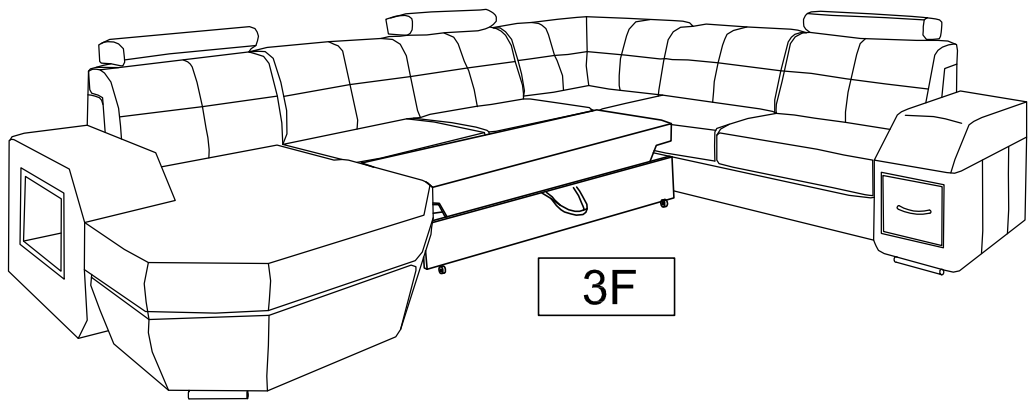


11



12

VERSION - L



VERSION - R

