



A

× 1



600 × 340mm

B

× 1



600 × 310mm

C

× 1



600 × 280mm

D

× 1



600 × 250mm

E

× 1

**F**

× 1

**G**

× 1

**H**

× 1



I

× 2

**J**

8+1



M6 × 30mm

K

22+1



M6 × 10mm

L

× 1

**M**

× 2

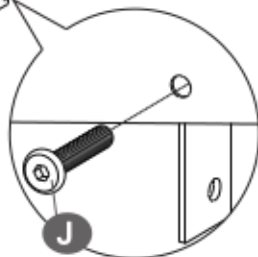
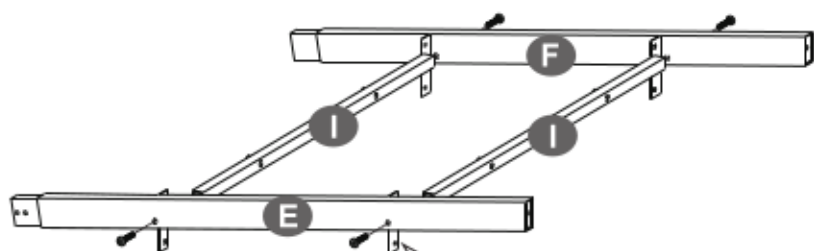
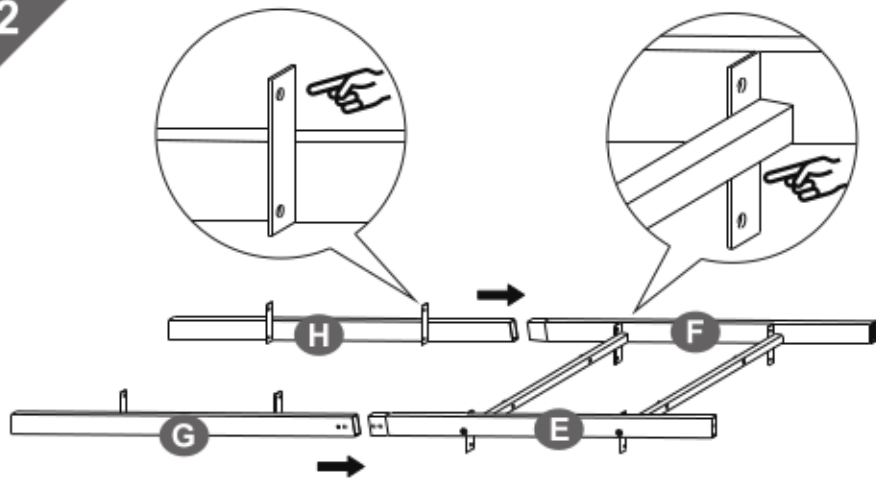
**N**

× 2

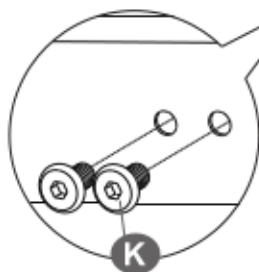
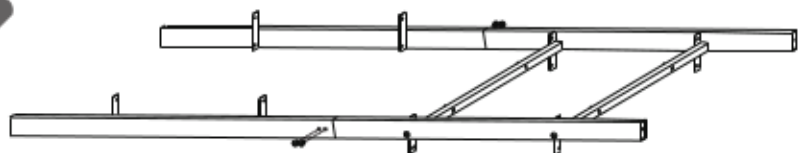


1

- During assembly, align all screws with the corresponding pre-drilled holes first and then tighten them one by one.

**J** 4PCS**2**

3

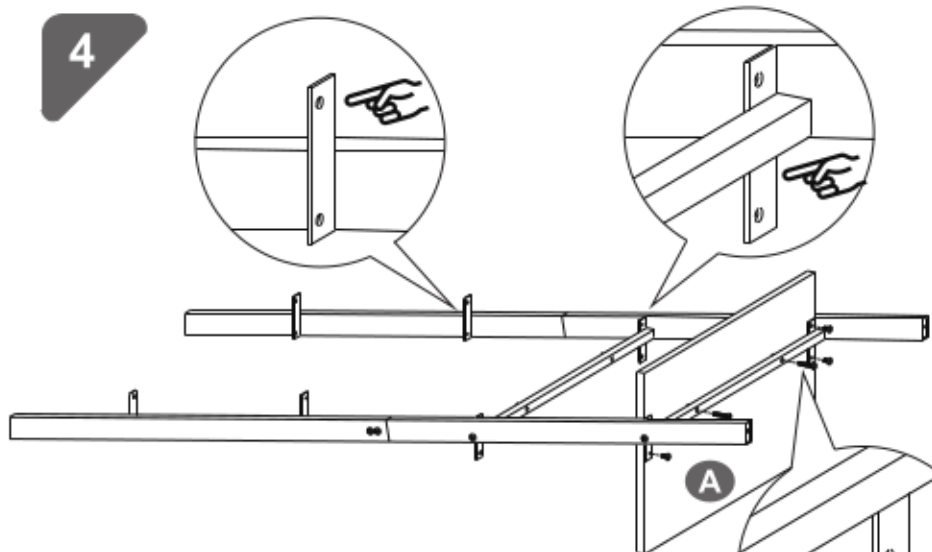


K



4PCS

4



A

K



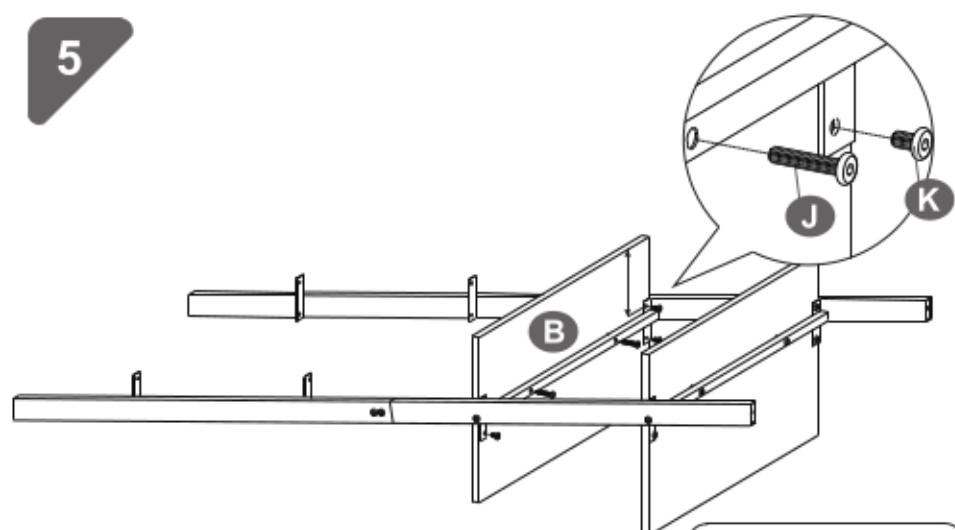
4PCS

J



2PCS

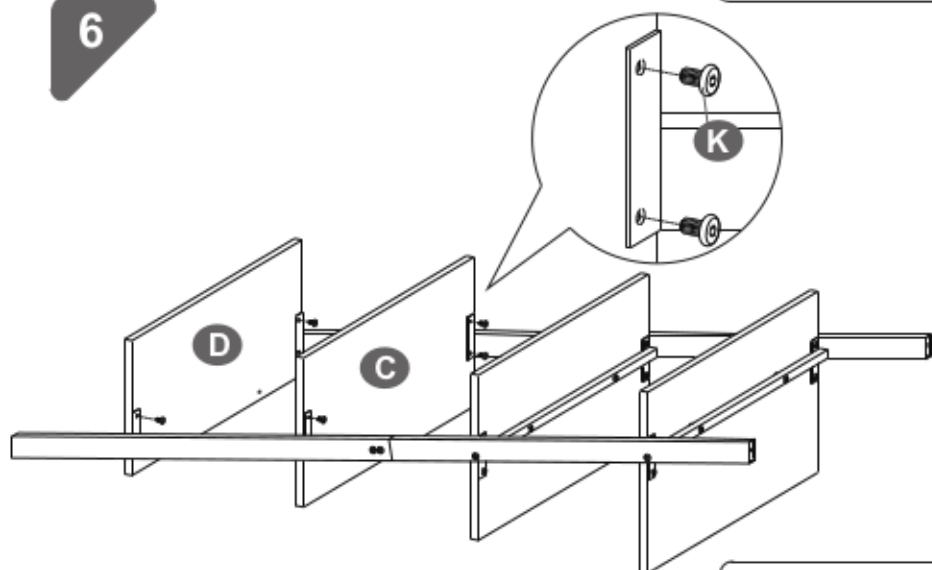
5



K		4PCS
----------	---	------

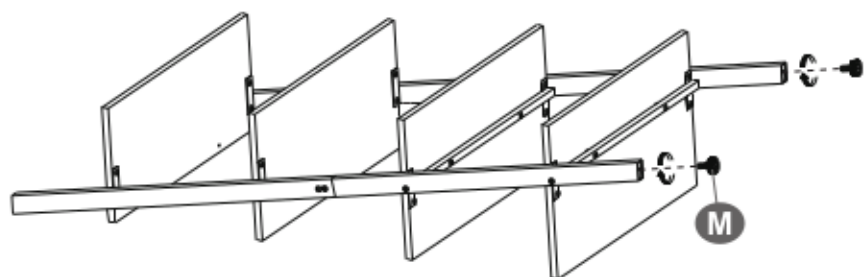
J		2PCS
----------	---	------

6



K		8PCS
----------	---	------

7

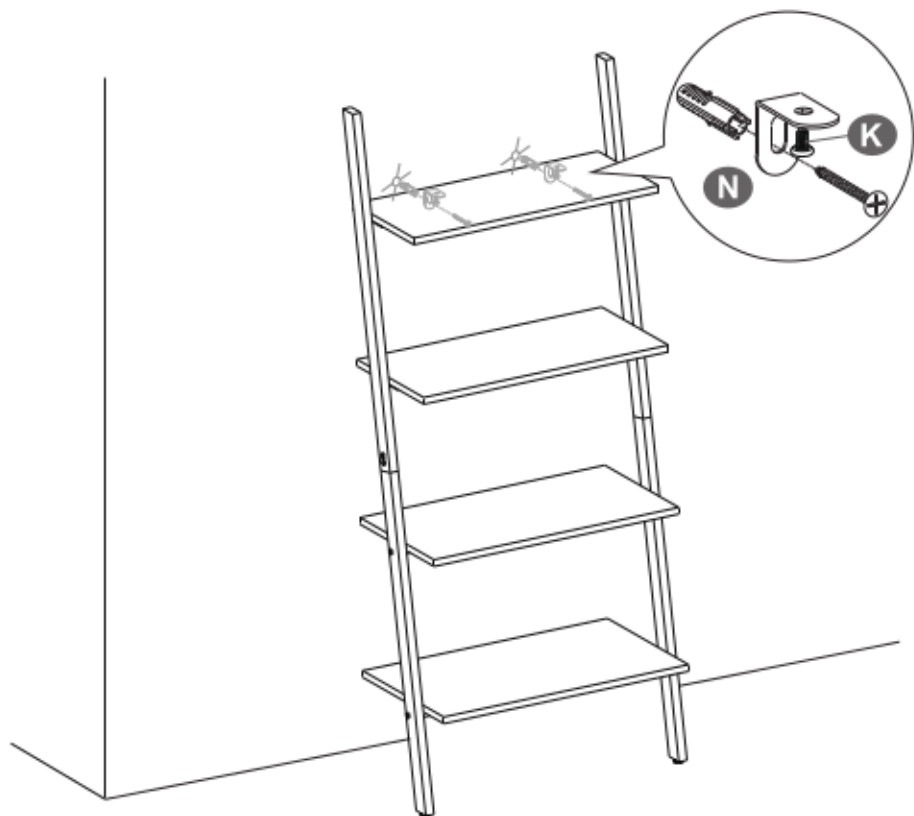




M



2PCS

8



K		2PCS
N		2PCS