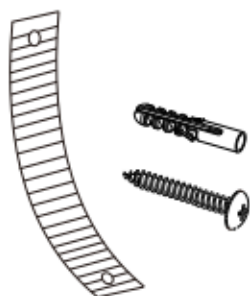


A

× 2

B

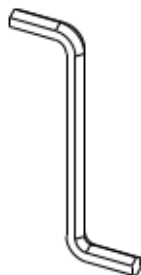
× 4

C

× 1

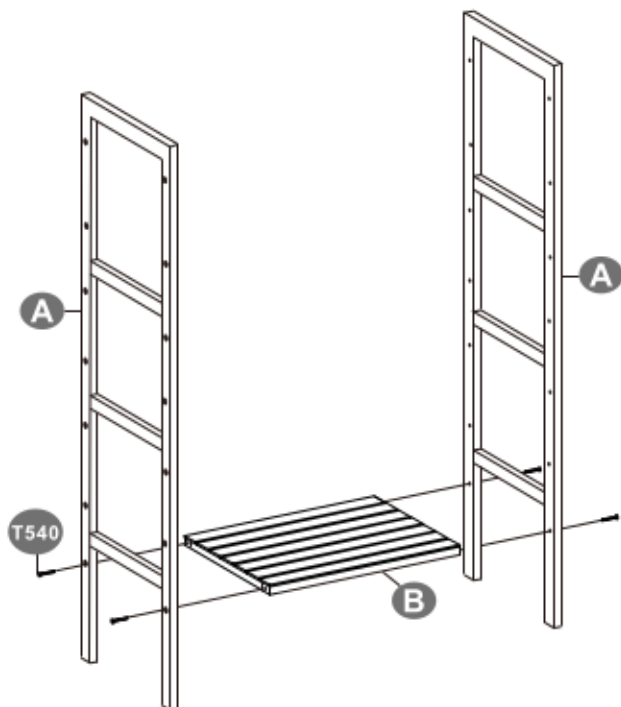
T540

× 16

L

× 1

1

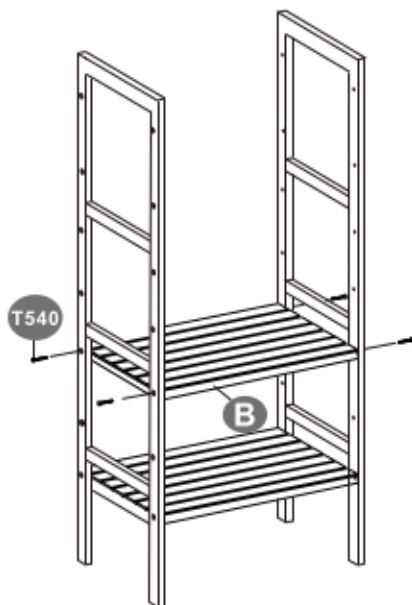


T540



4PCS

2

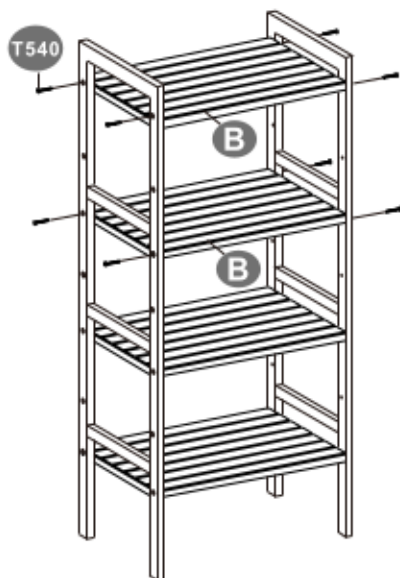


T540

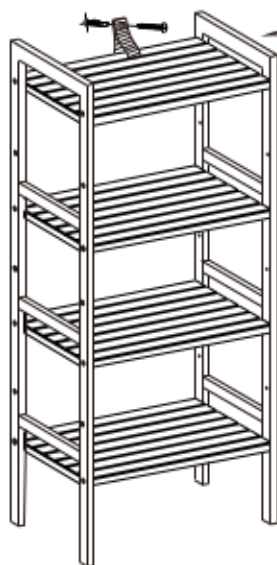


4PCS

3



4



T540  8PCS

C  1PCS