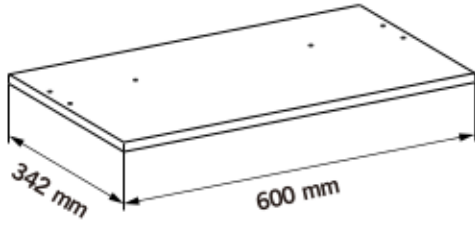


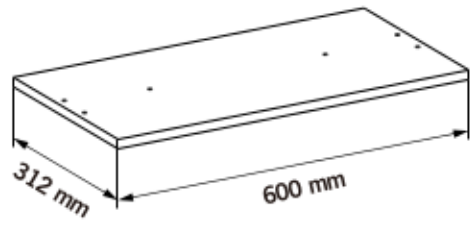
A1

× 1



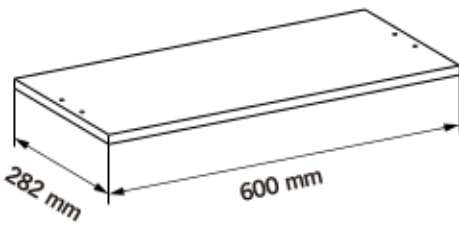
B1

× 1



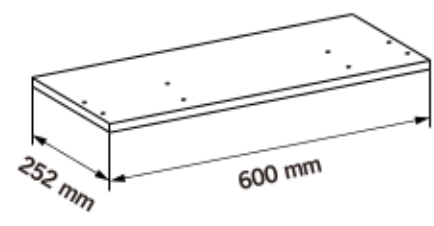
C1

× 1



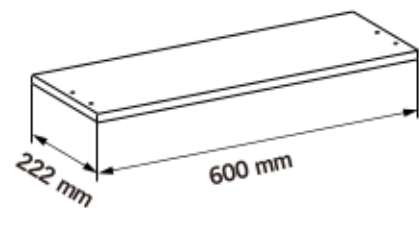
D1

× 1



E1

× 1



F

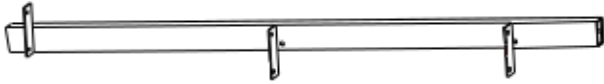
× 1





G

× 1



H

× 1



I

× 1

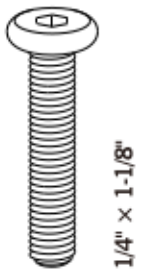


J

× 3



K



× 12

1/4" × 1-1/8"

L



× 26

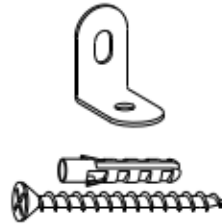
1/4" × 1/2"

M



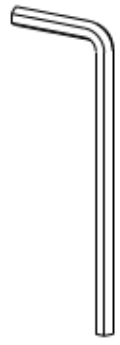
× 2

N



× 2

O



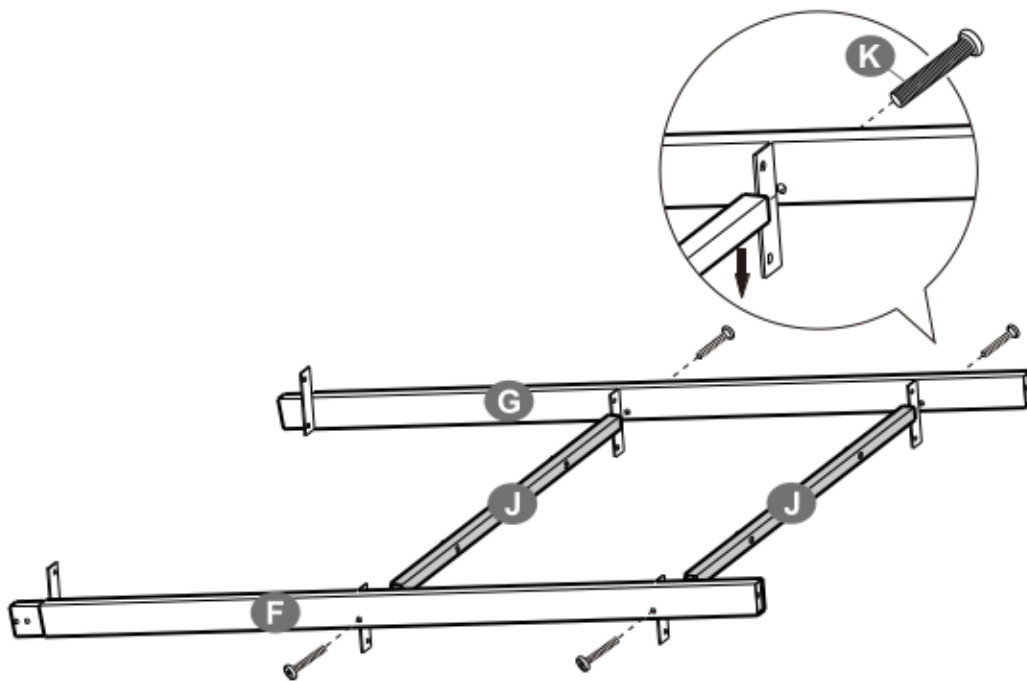
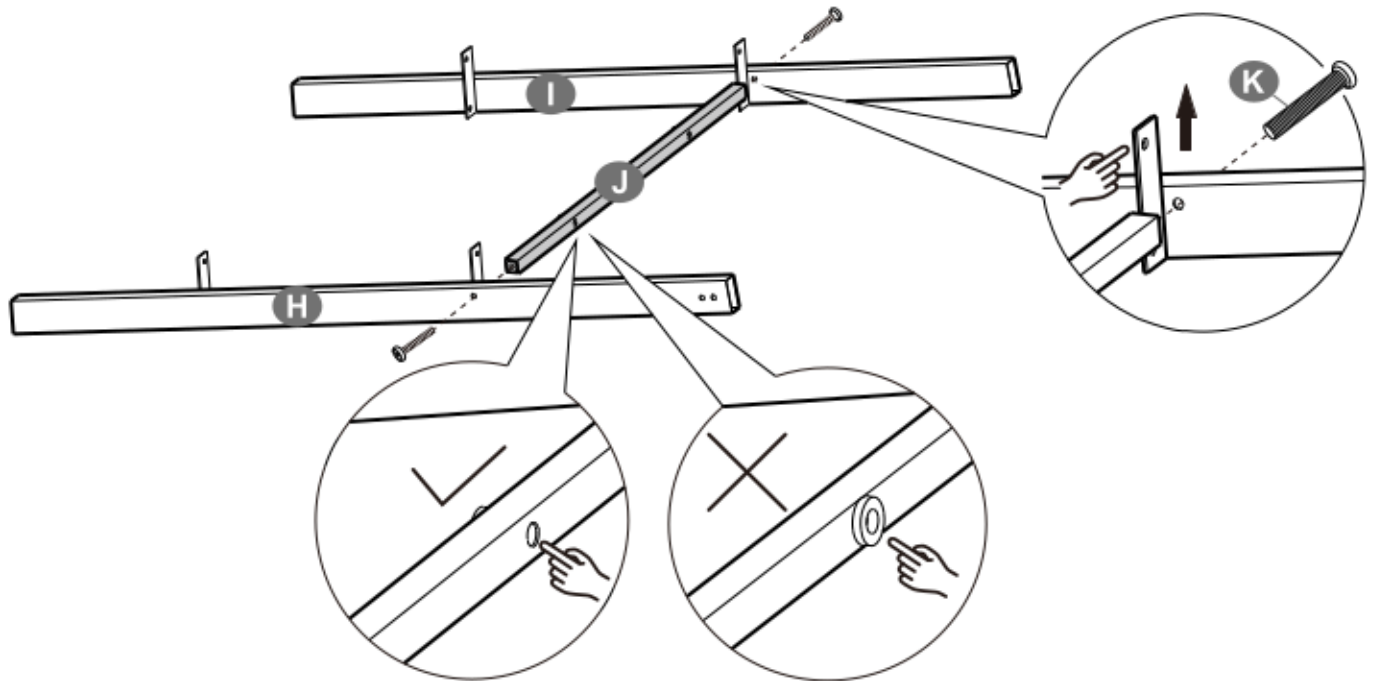
× 1

Tools Required:



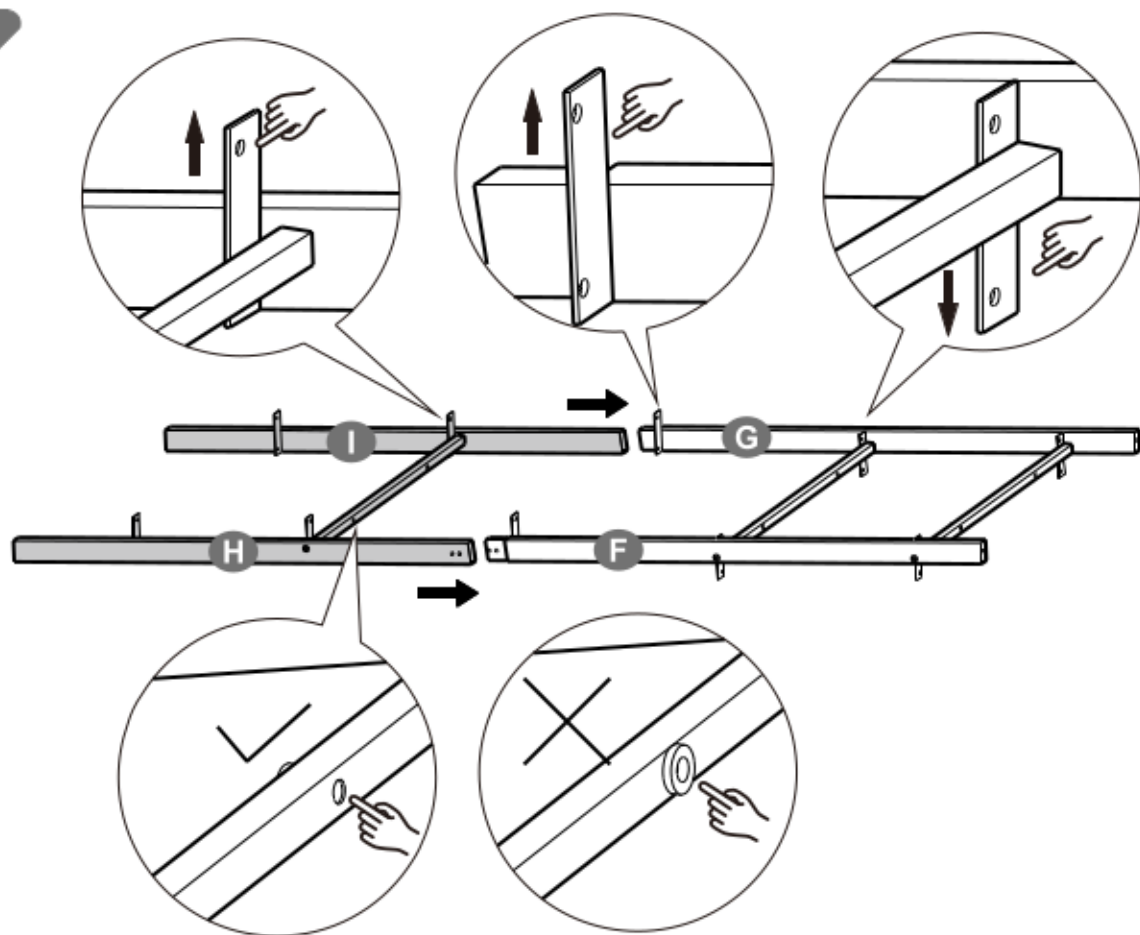
1

- During assembly, align all screws with the corresponding pre-drilled holes first and then tighten them one by one..

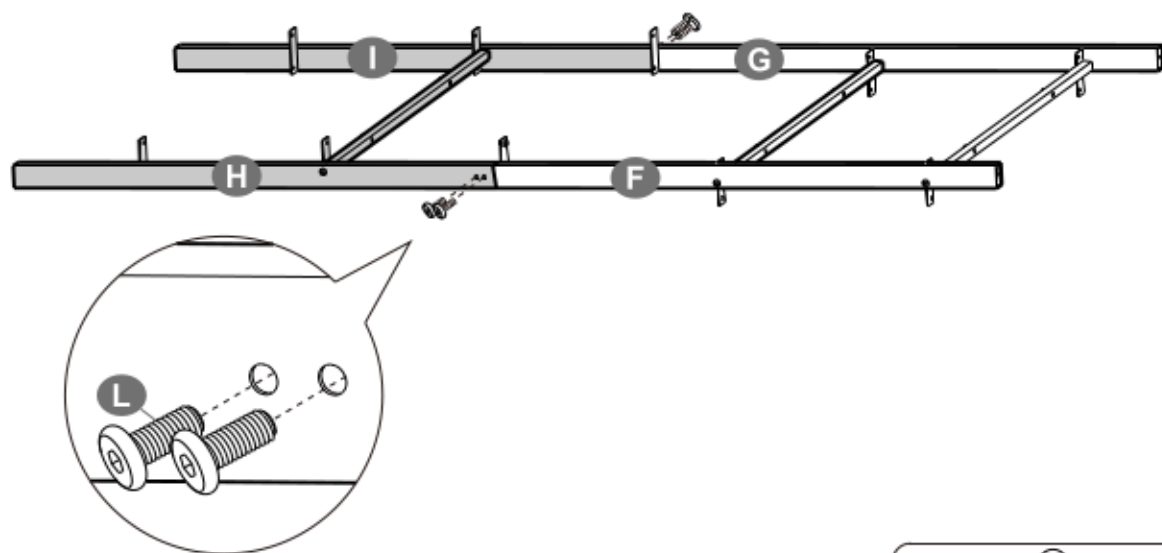


K  × 6

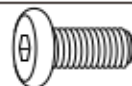
2



3

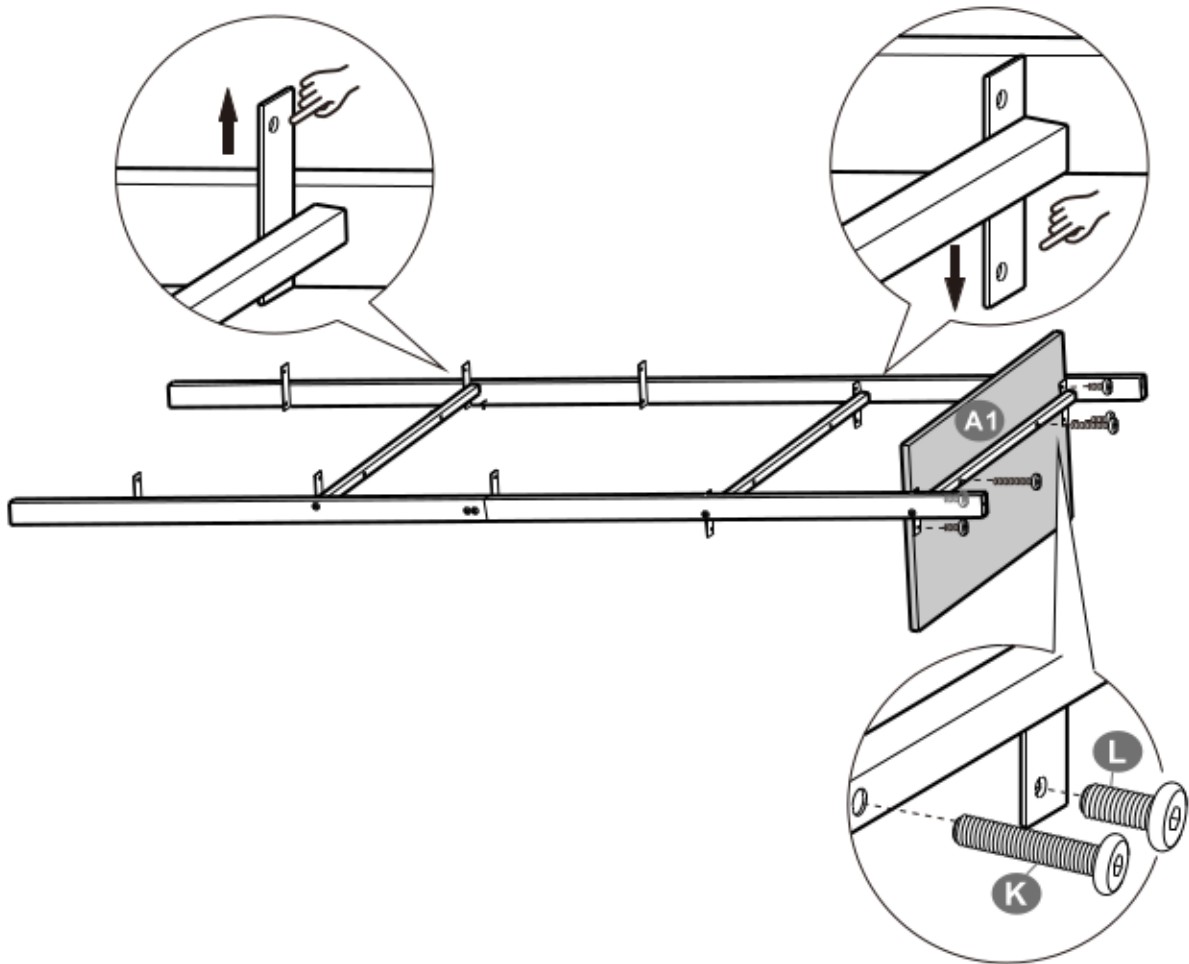



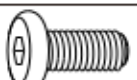
L



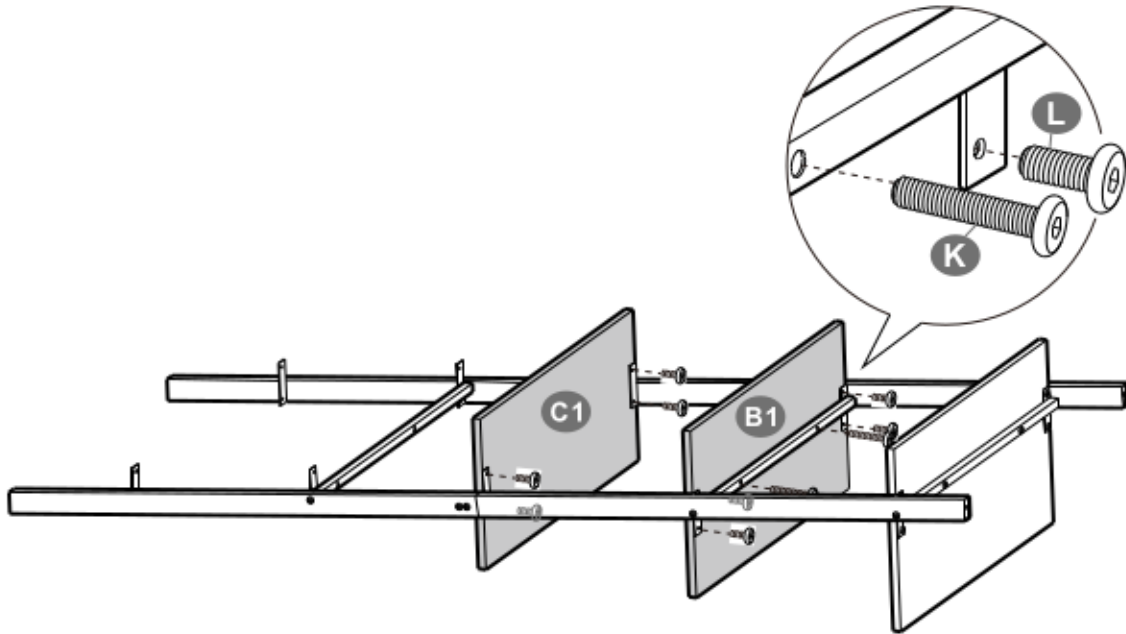
× 4


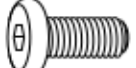
4



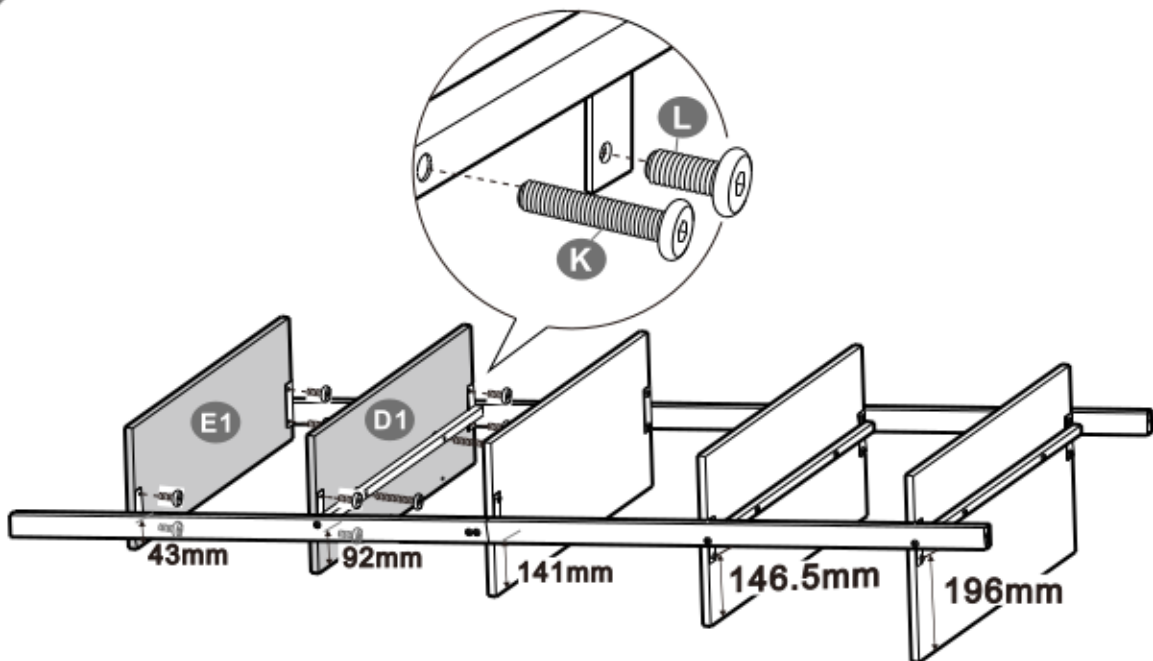
K		× 2
L		× 4


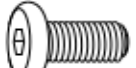
5



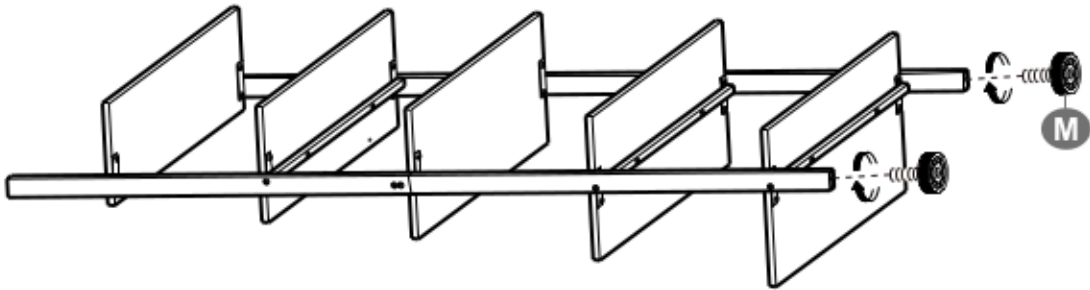
K		× 2
L		× 8

6



K		× 2
L		× 8

7



8

