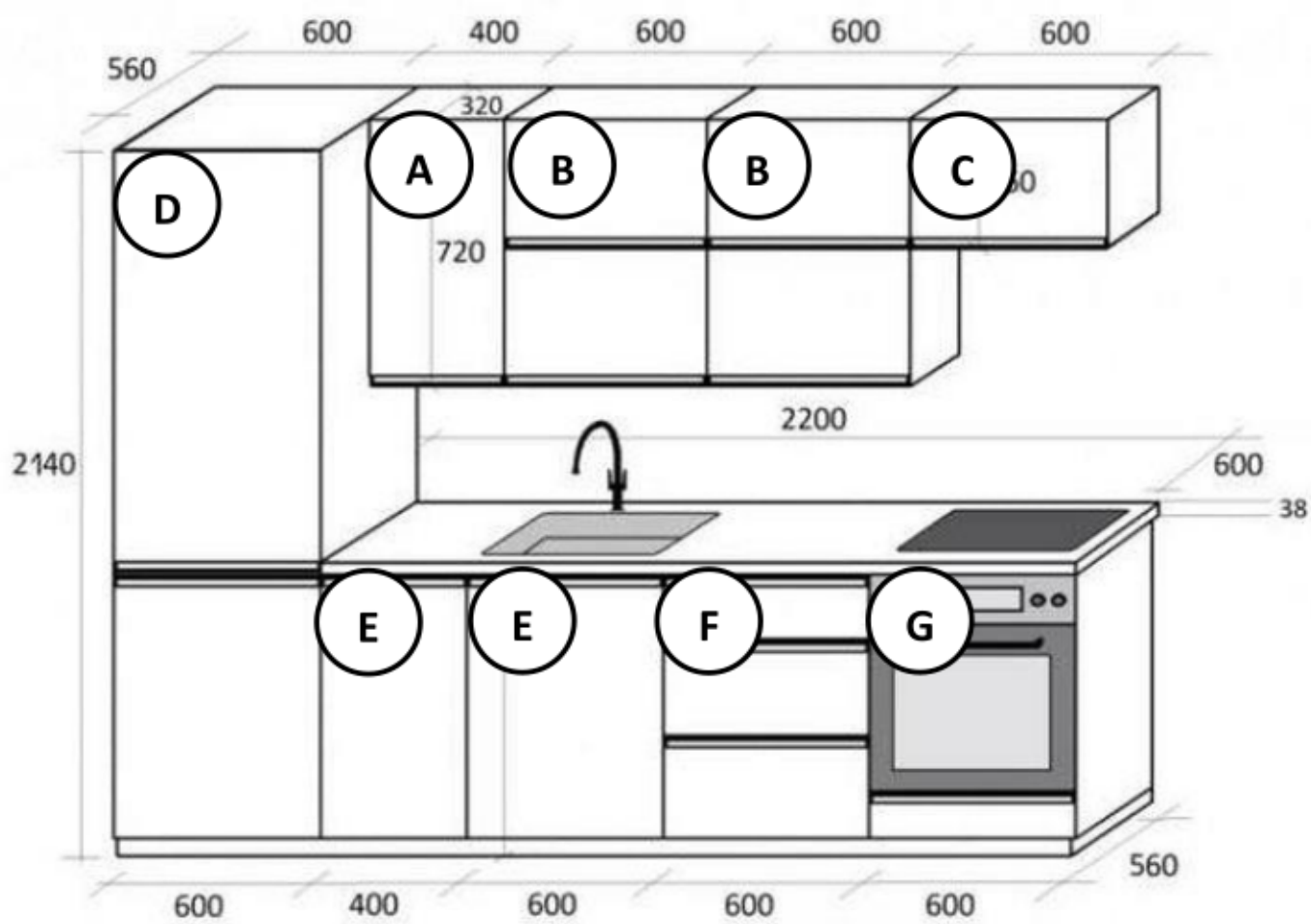
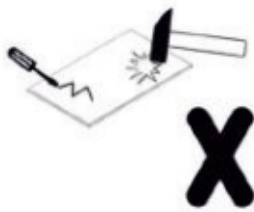
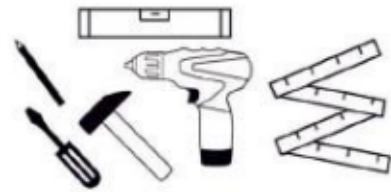
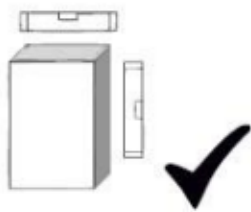
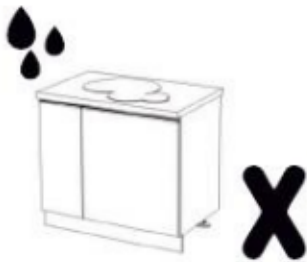
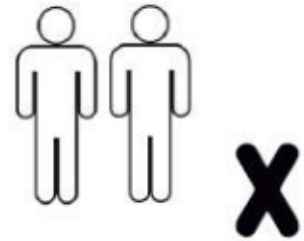
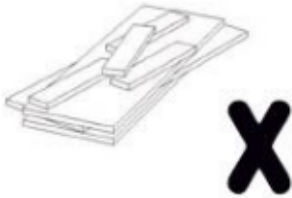
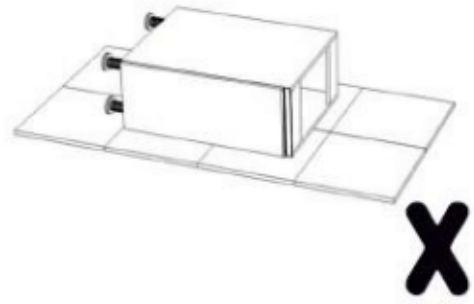
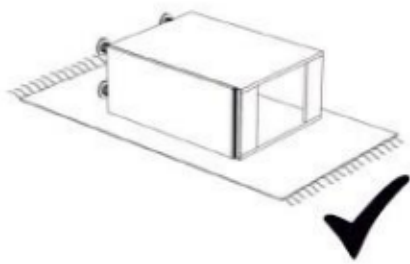


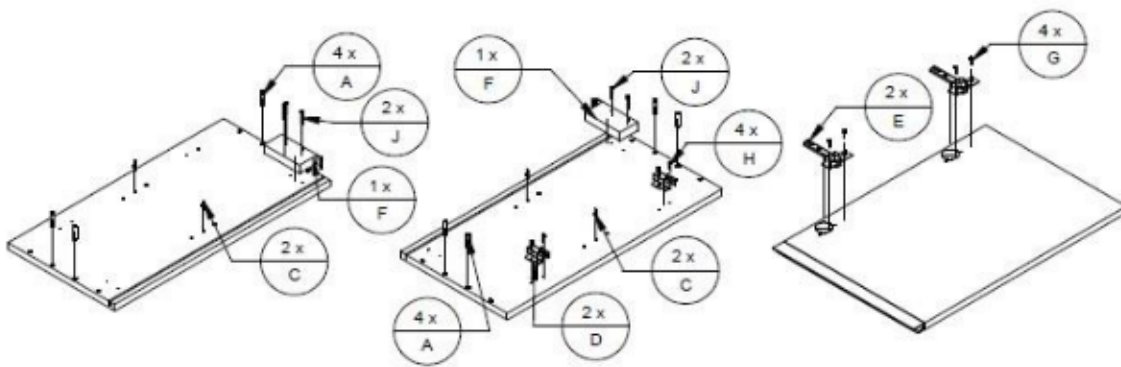
# Kuchyně Brick Light 280 cm






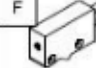





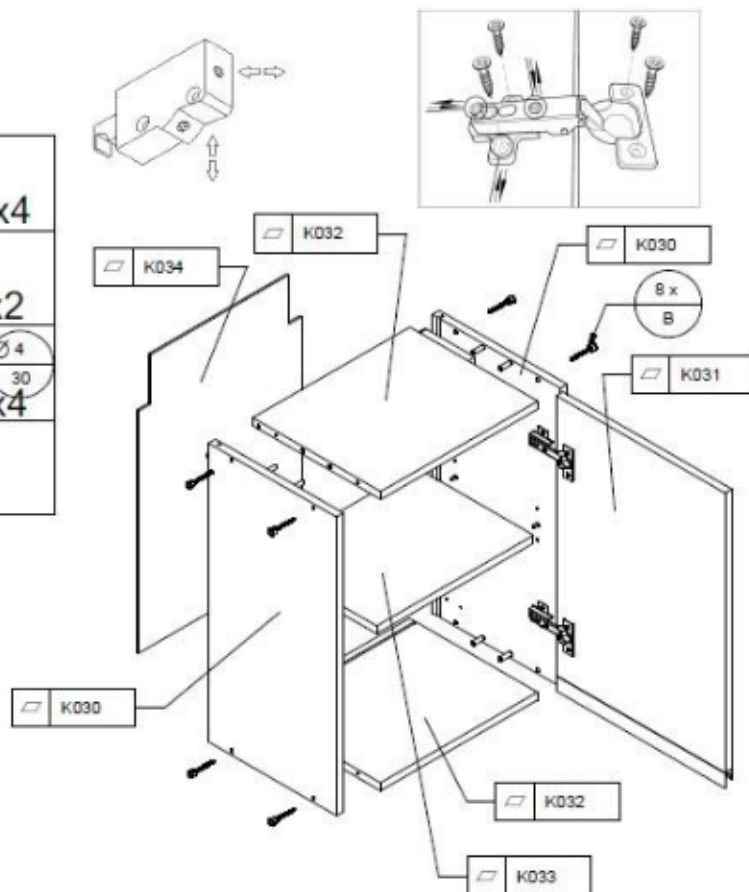


A

# G30/40/60 1F

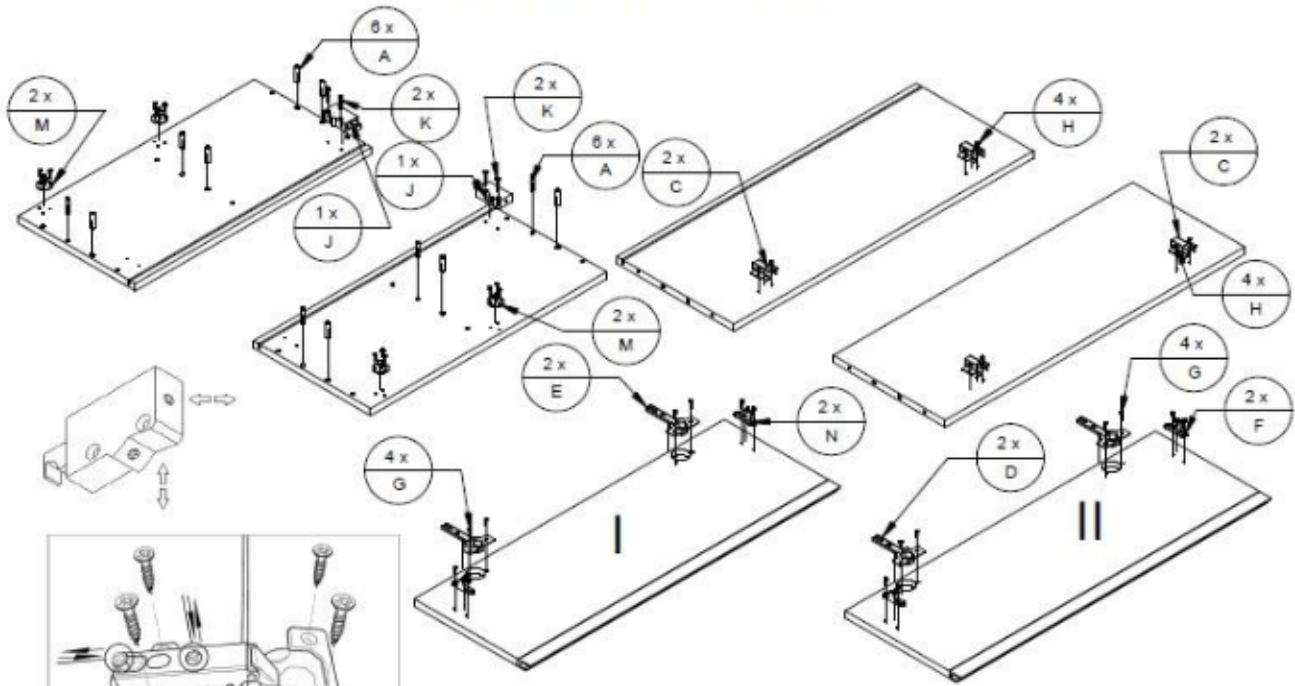


A	B	C
 x8	 x8	 x4
D	E	F
 x2	 x2	 x2
G	H	J
 $\varnothing 3.5$ 16 x4	 $\varnothing 4$ 16 x4	 $\varnothing 4$ 30 x4

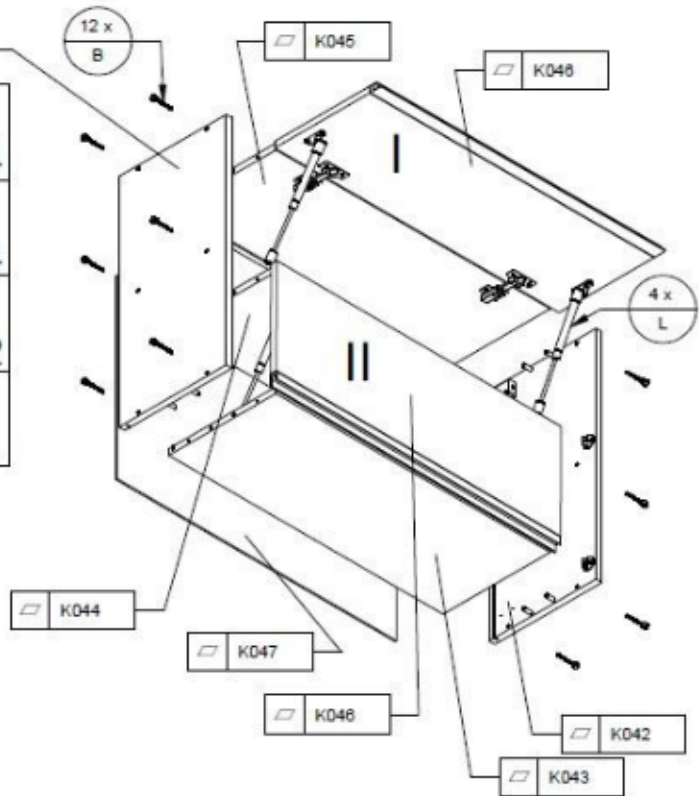


**B**

# G60u/80u

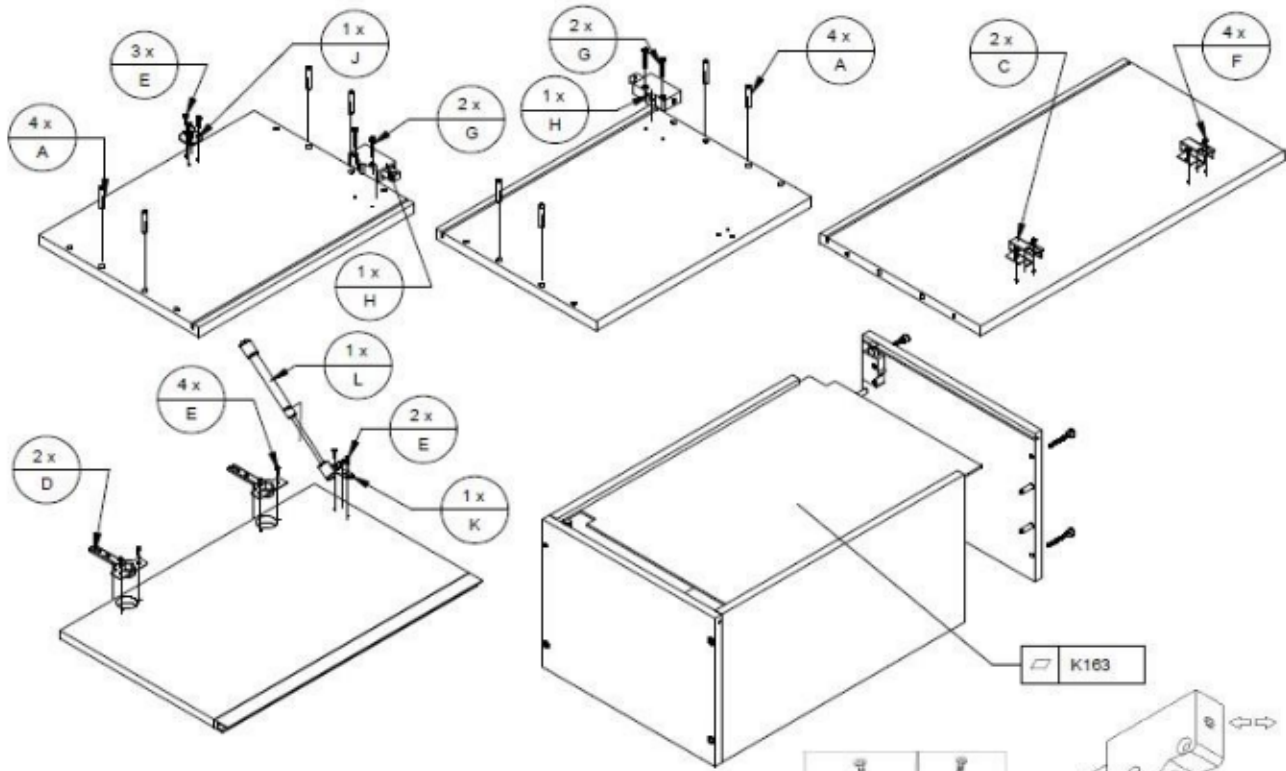













A		x12	B		x12	C		x4
D		x2	E		x2	F		x4
G		x8	H		x8	J		x2
K		x4	L		x4	M		x4

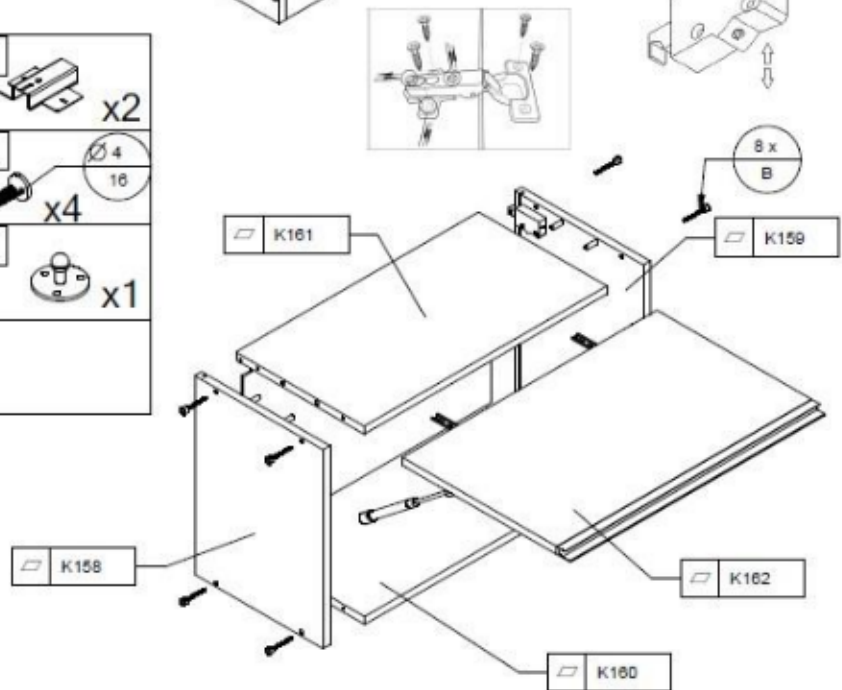


C

# G50/60 ok



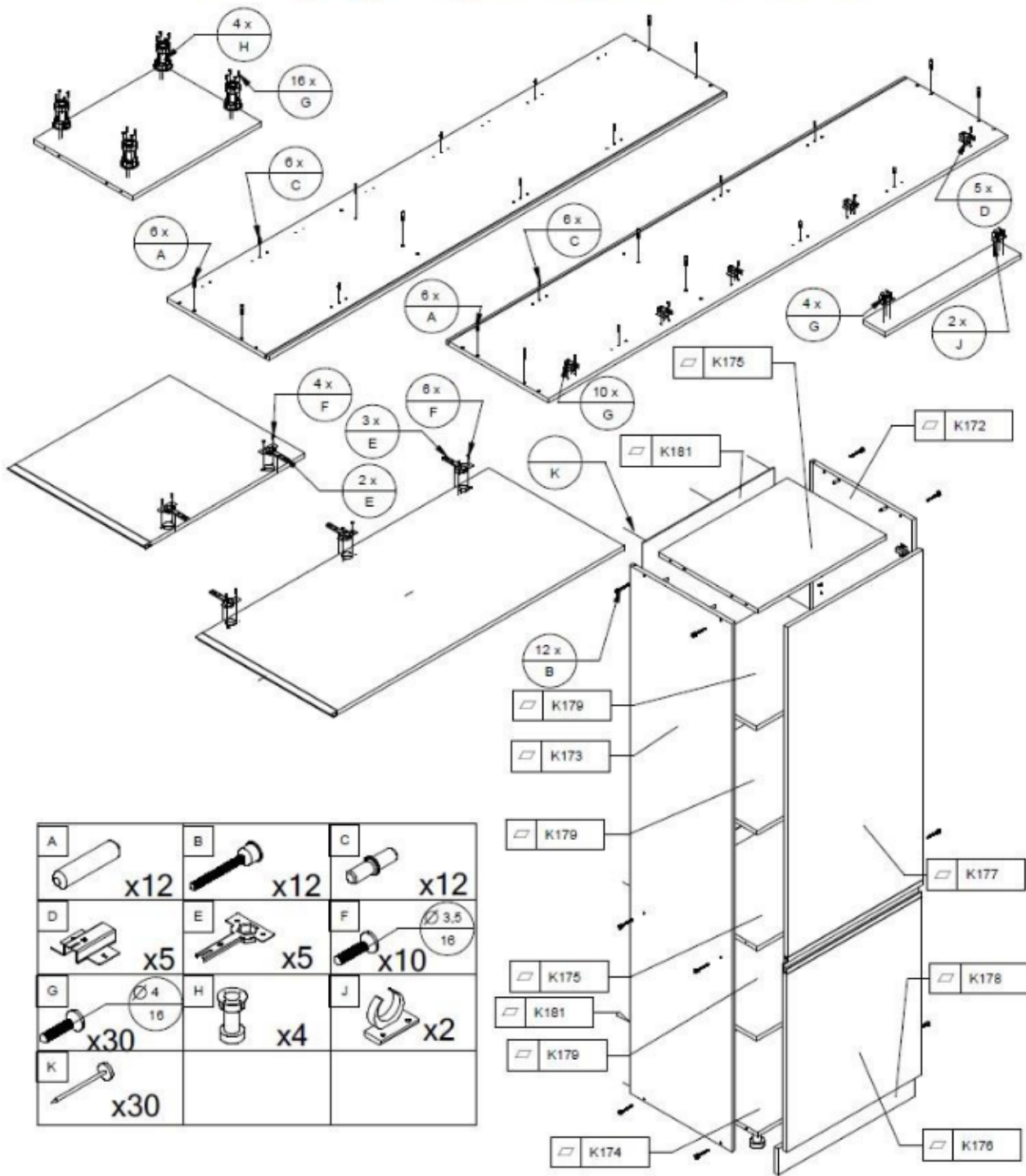
A	B	C
 x8	 x8	 x2
D	E	F
 x2	 x9 $\varnothing 3.5$ 16	 x4 $\varnothing 4$ 16
G	H	J
 x4 $\varnothing 4$ 30	 x2	 x1
K	L	
 x1	 x1	



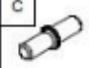











D

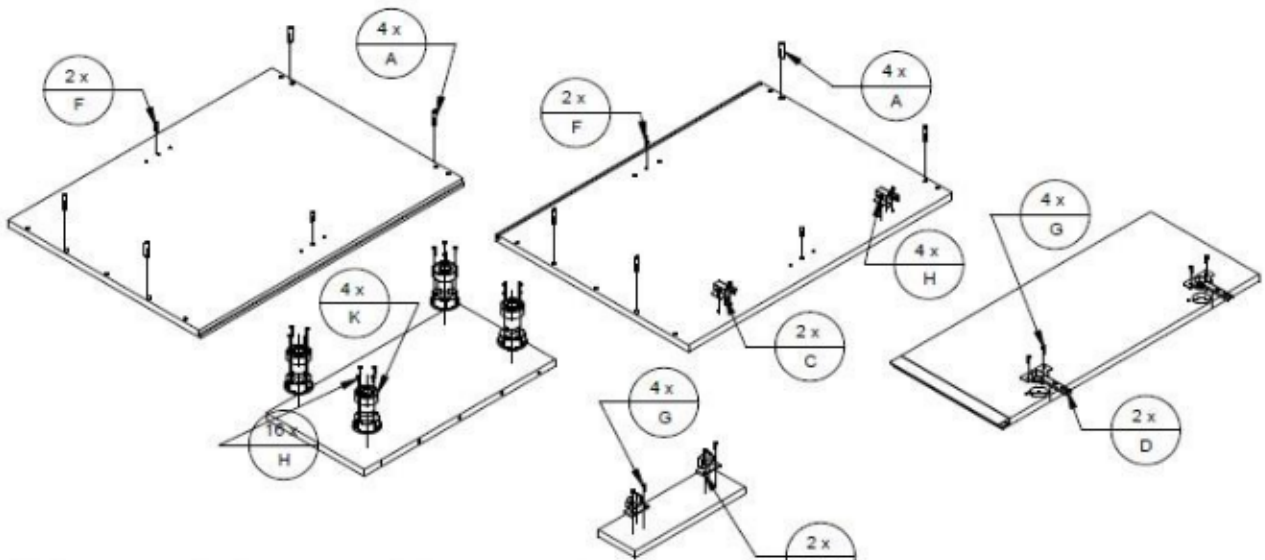
# D60 SŁUPEK













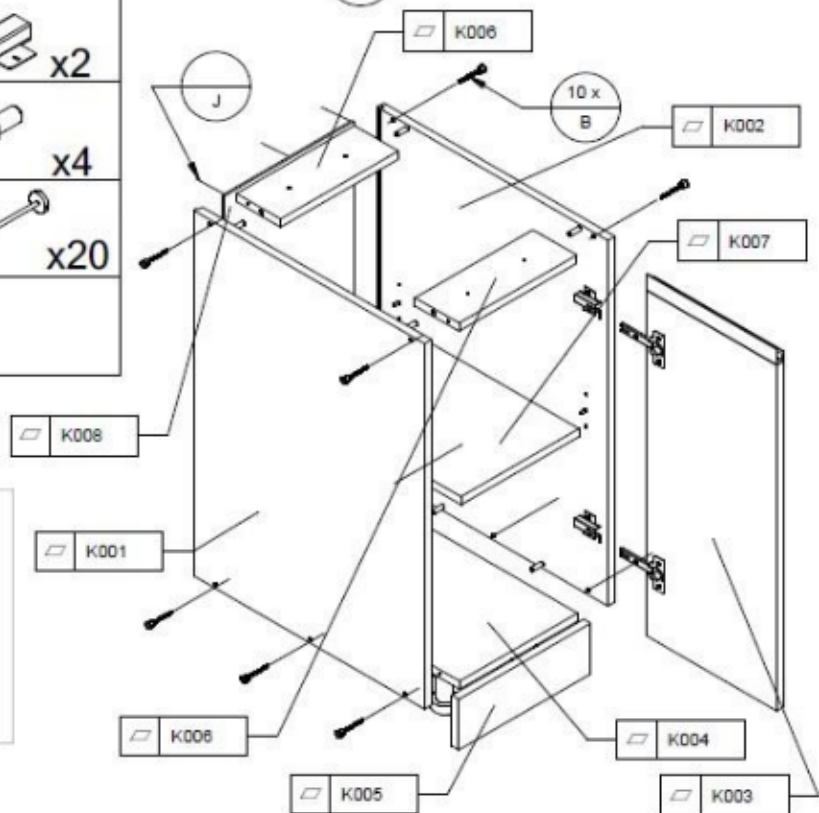
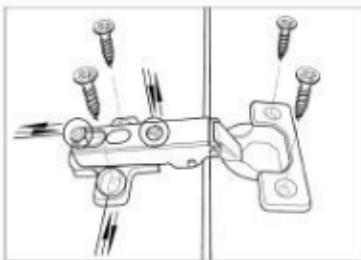
A	B	C
 x12	 x12	 x12
D	E	F
 x5	 x5	 x10 $\varnothing 3.5$
G	H	J
 x30 $\varnothing 4$	 x4	 x2
K		
 x30		

E

# D 30/40/60 1F

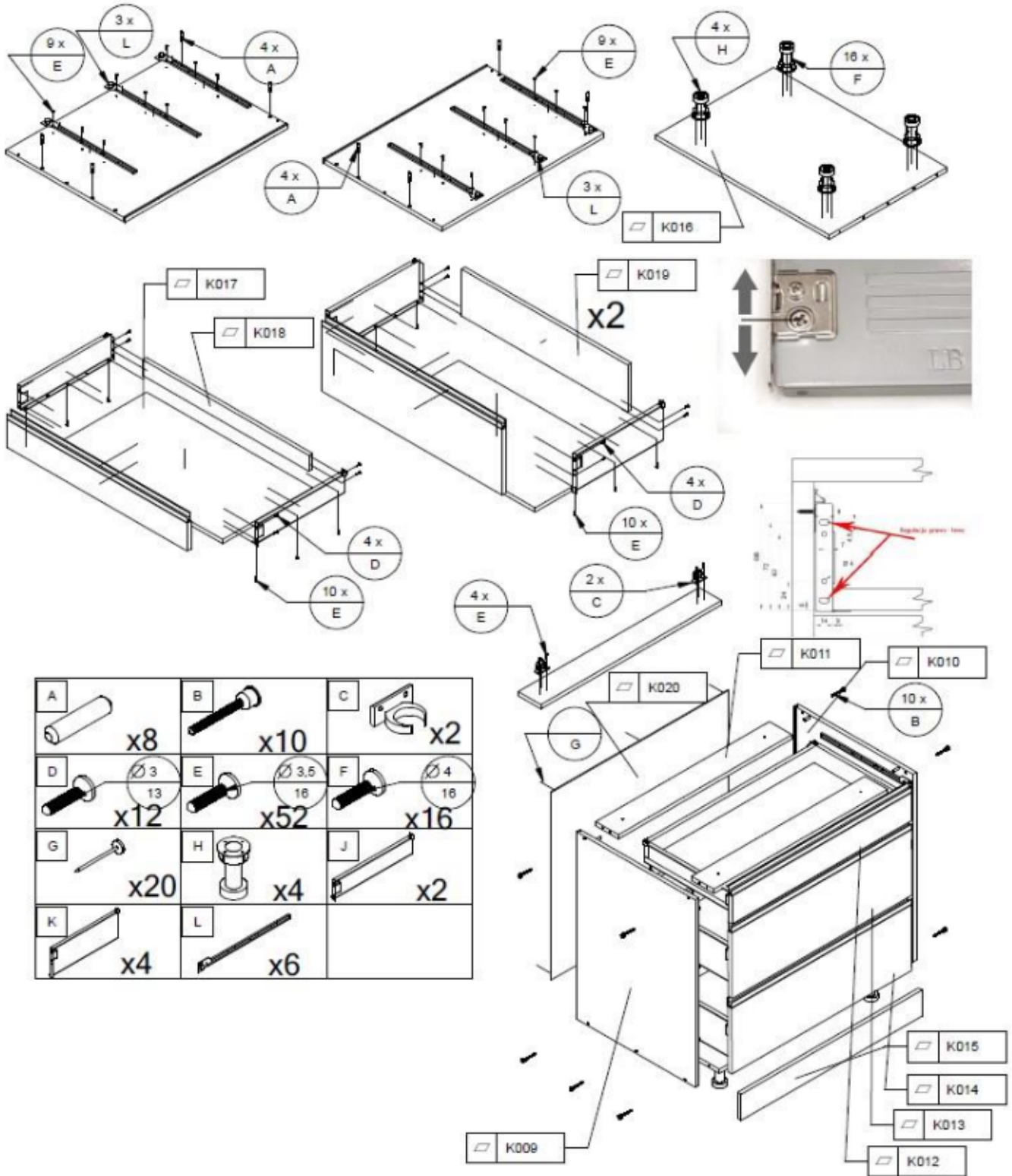


A	B	C
 x8	 x10	 x2
D	E	F
 x2	 x2	 x4
G	H	J
 x8	 x20	 x20
K		
 x4		



F

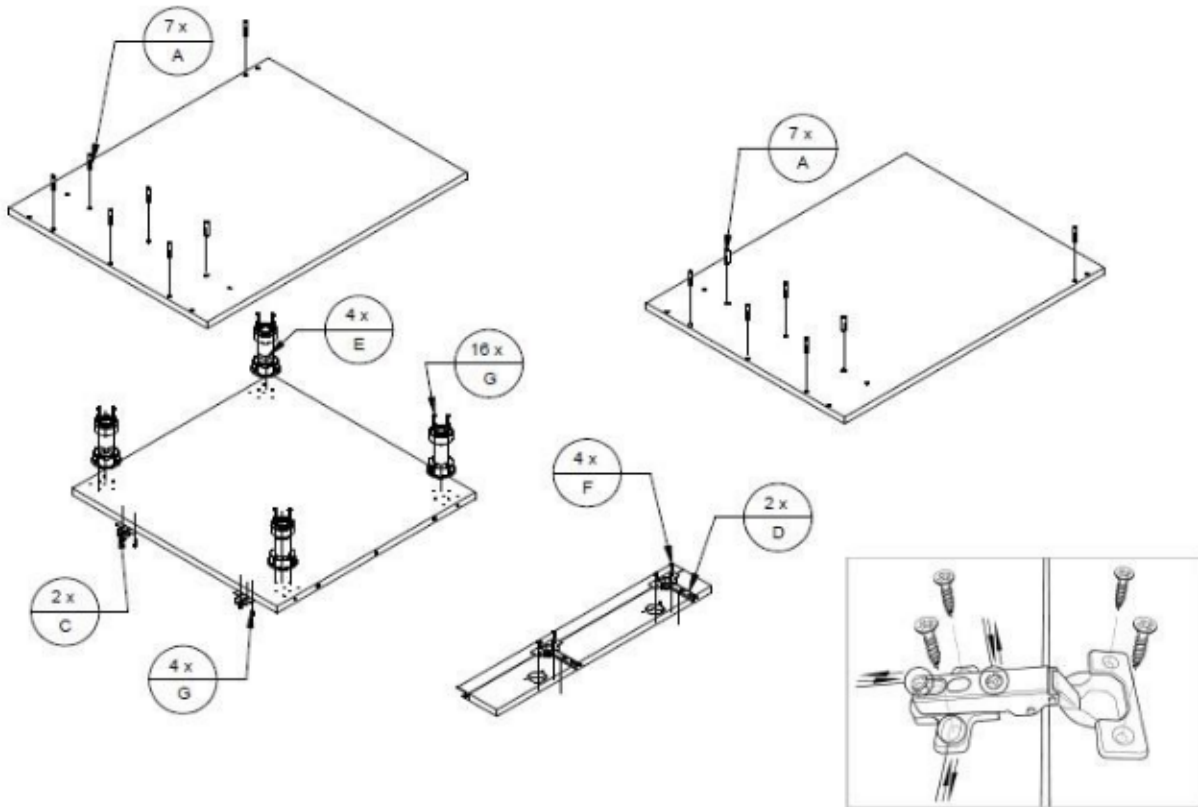
# D 60 3sz/80 3sz



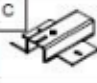


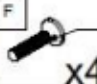





G

# D 60 ku



A	 x14	B	 x10	C	 x2
D	 x2	E	 x4	F	 x4 $\begin{matrix} \text{3,5} \\ \text{16} \end{matrix}$
G	 x20 $\begin{matrix} \text{4} \\ \text{16} \end{matrix}$				

