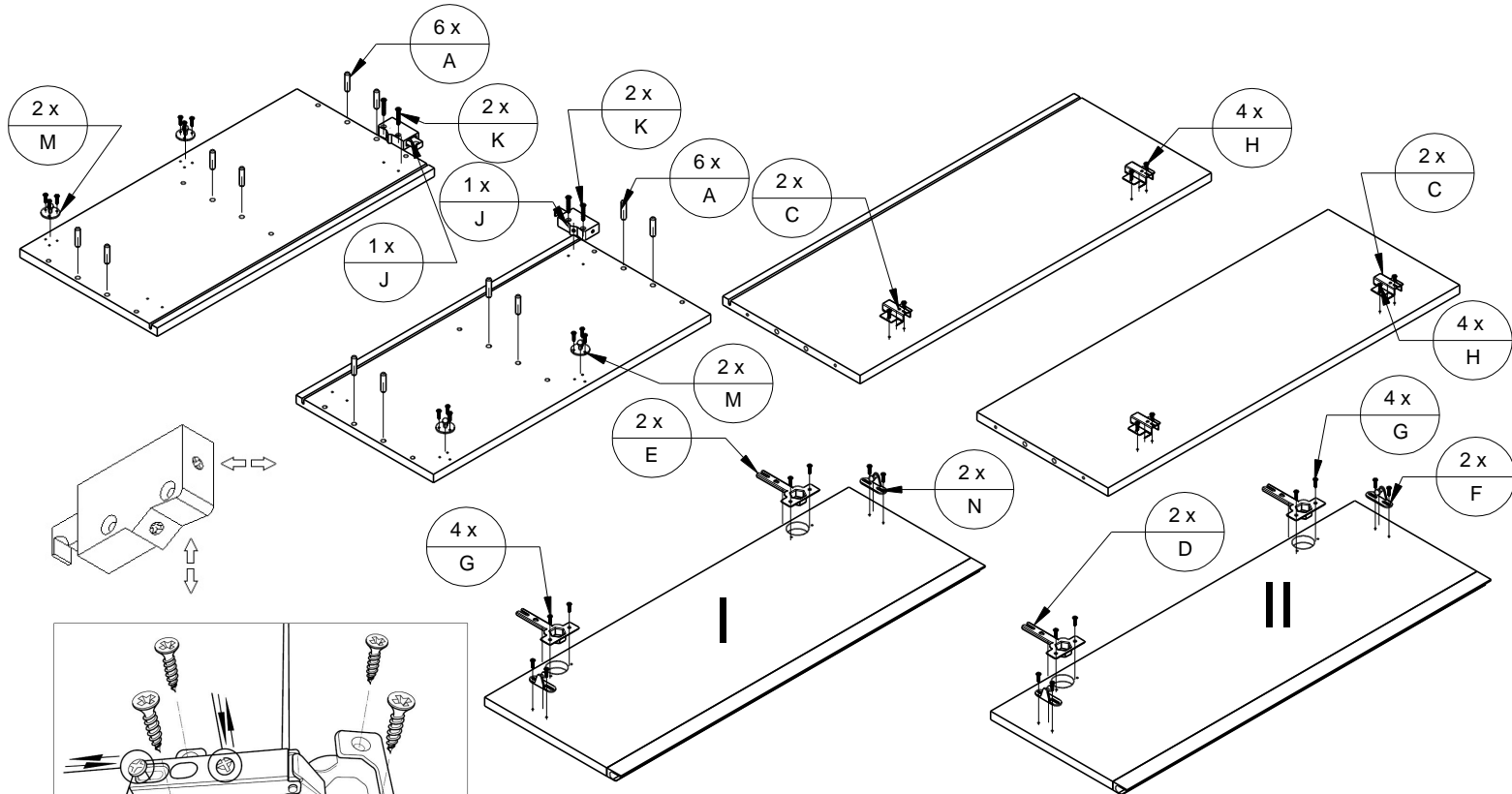
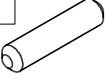

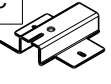





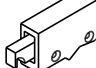

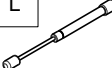

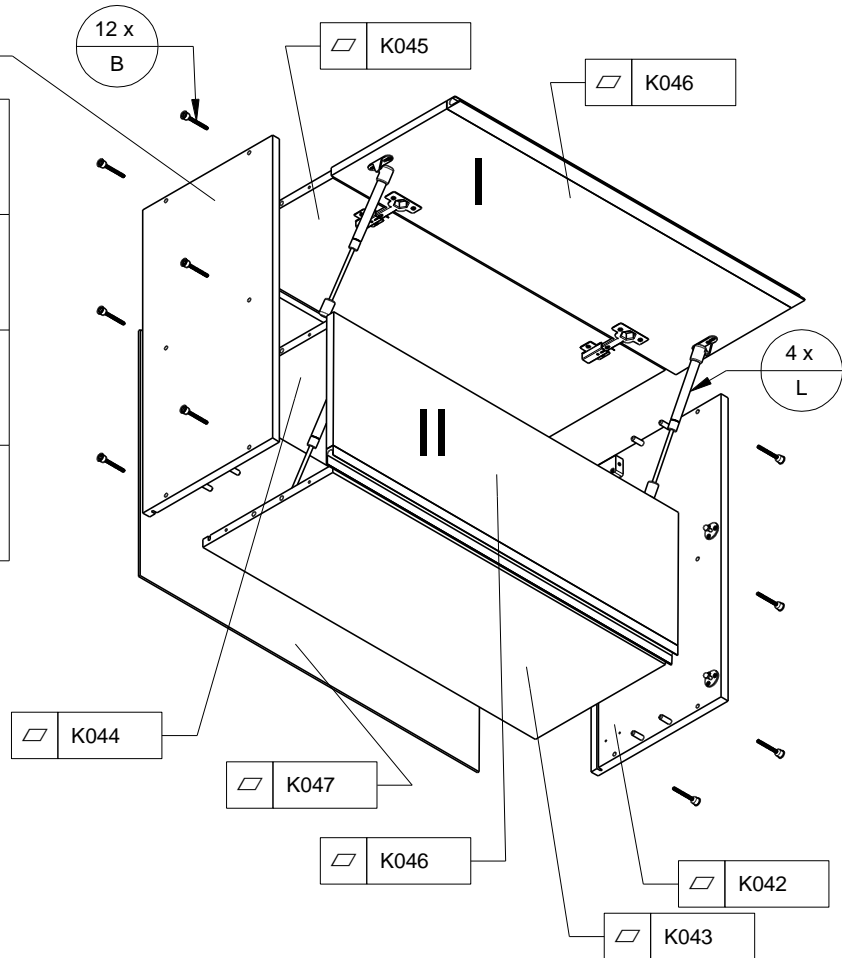


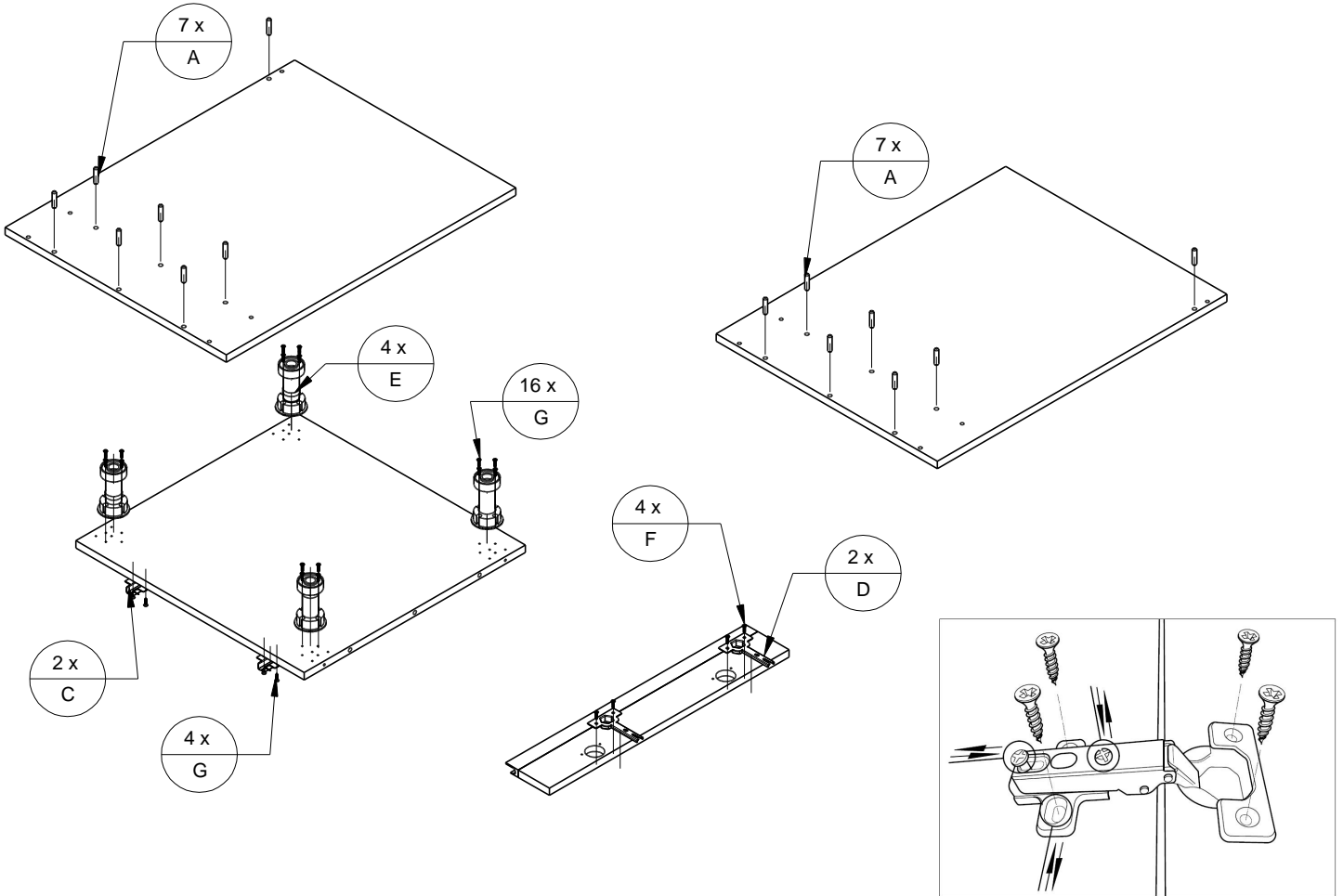
G60u/80u

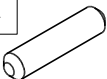
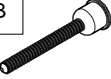
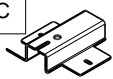
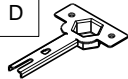
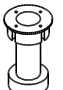




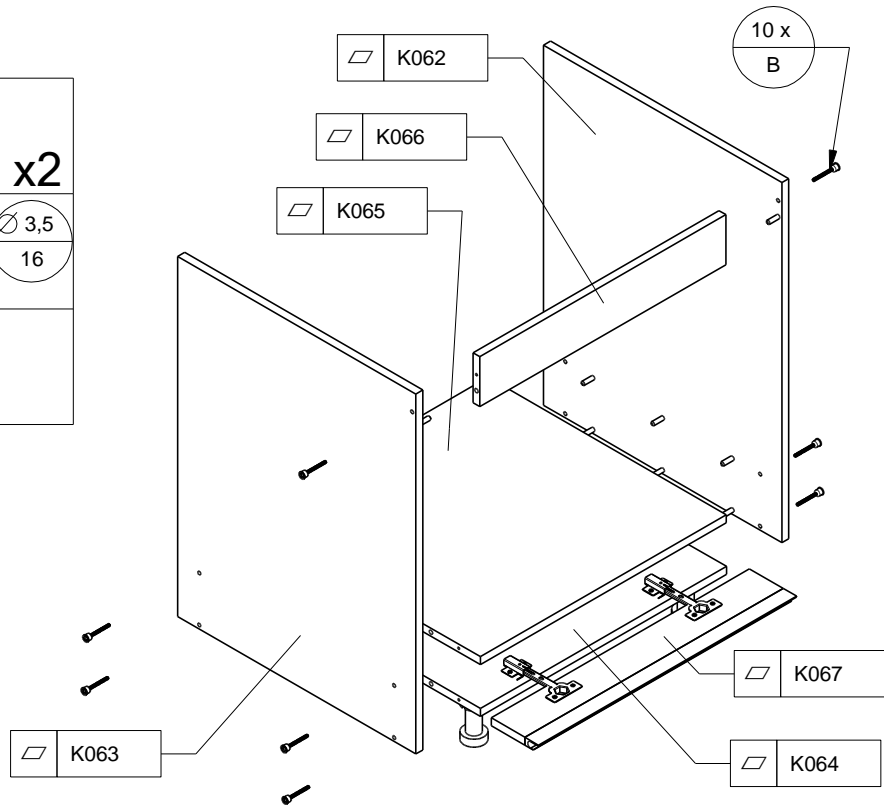
A	B	C
		
x12	x12	x4
D	E	F
		
x2	x2	x4
G	H	J
		
$\varnothing 3,5$ 16	$\varnothing 4$ 16	x2
x8	x8	
K	L	M
		
$\varnothing 4$ 30	x4	x4
x4		



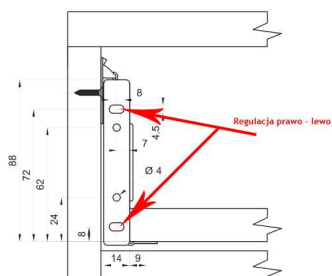
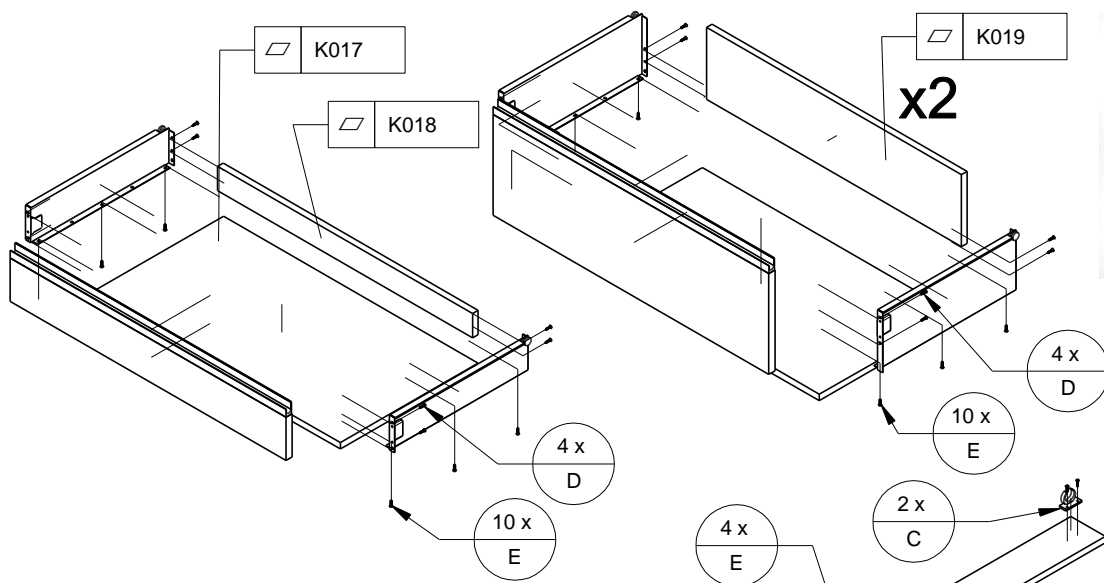
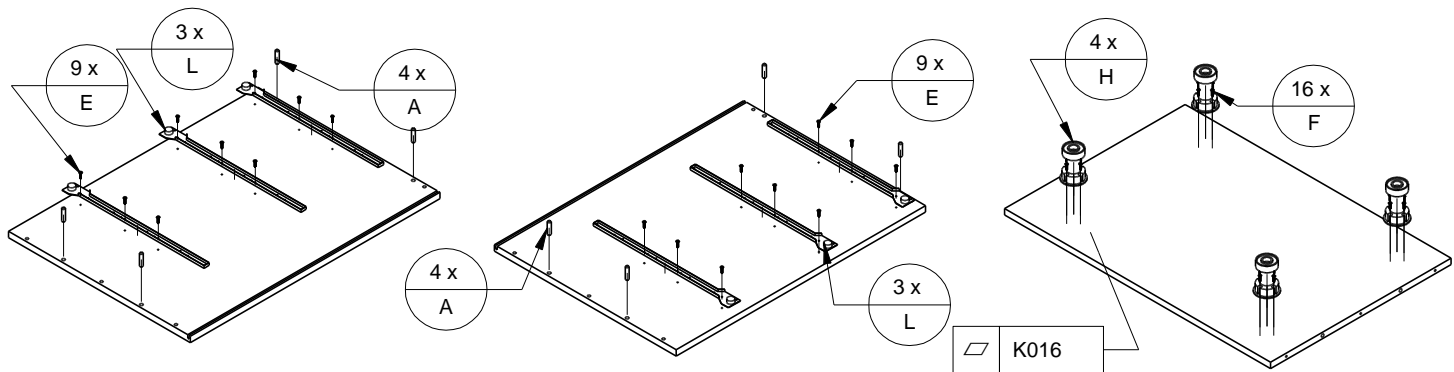
D 60 ku



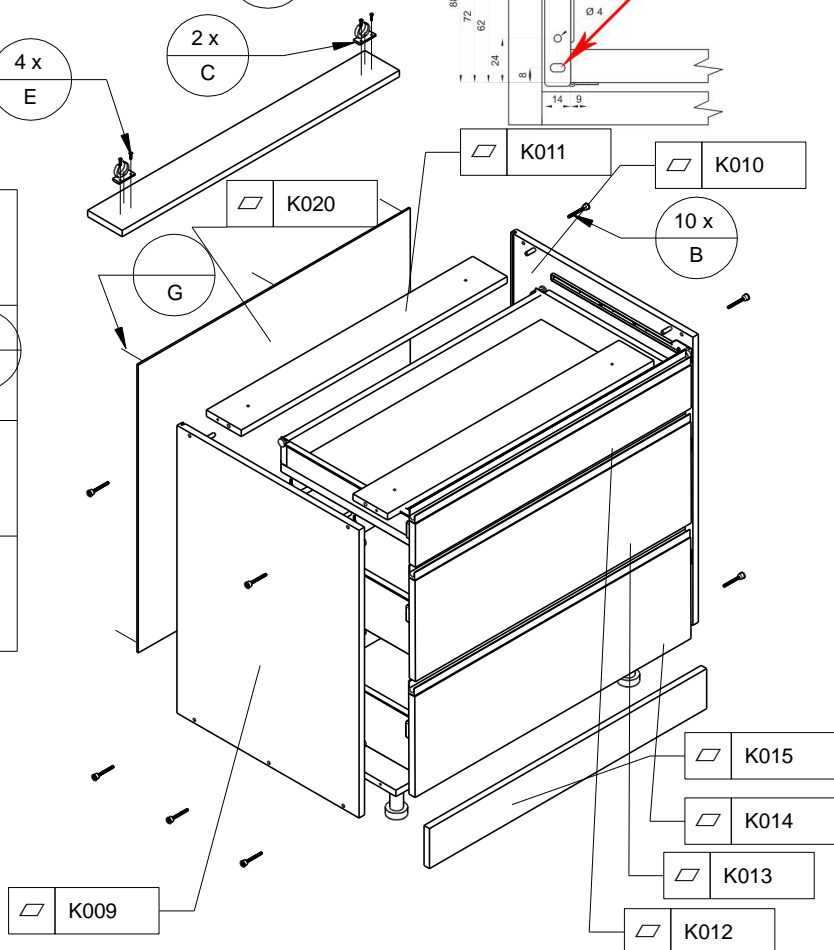
<p>A</p>  <p>x14</p>	<p>B</p>  <p>x10</p>	<p>C</p>  <p>x2</p>
<p>D</p>  <p>x2</p>	<p>E</p>  <p>x4</p>	<p>F</p>  <p>x4</p> <p>$\varnothing 3,5$ 16</p>
<p>G</p>  <p>x20</p> <p>$\varnothing 4$ 16</p>		



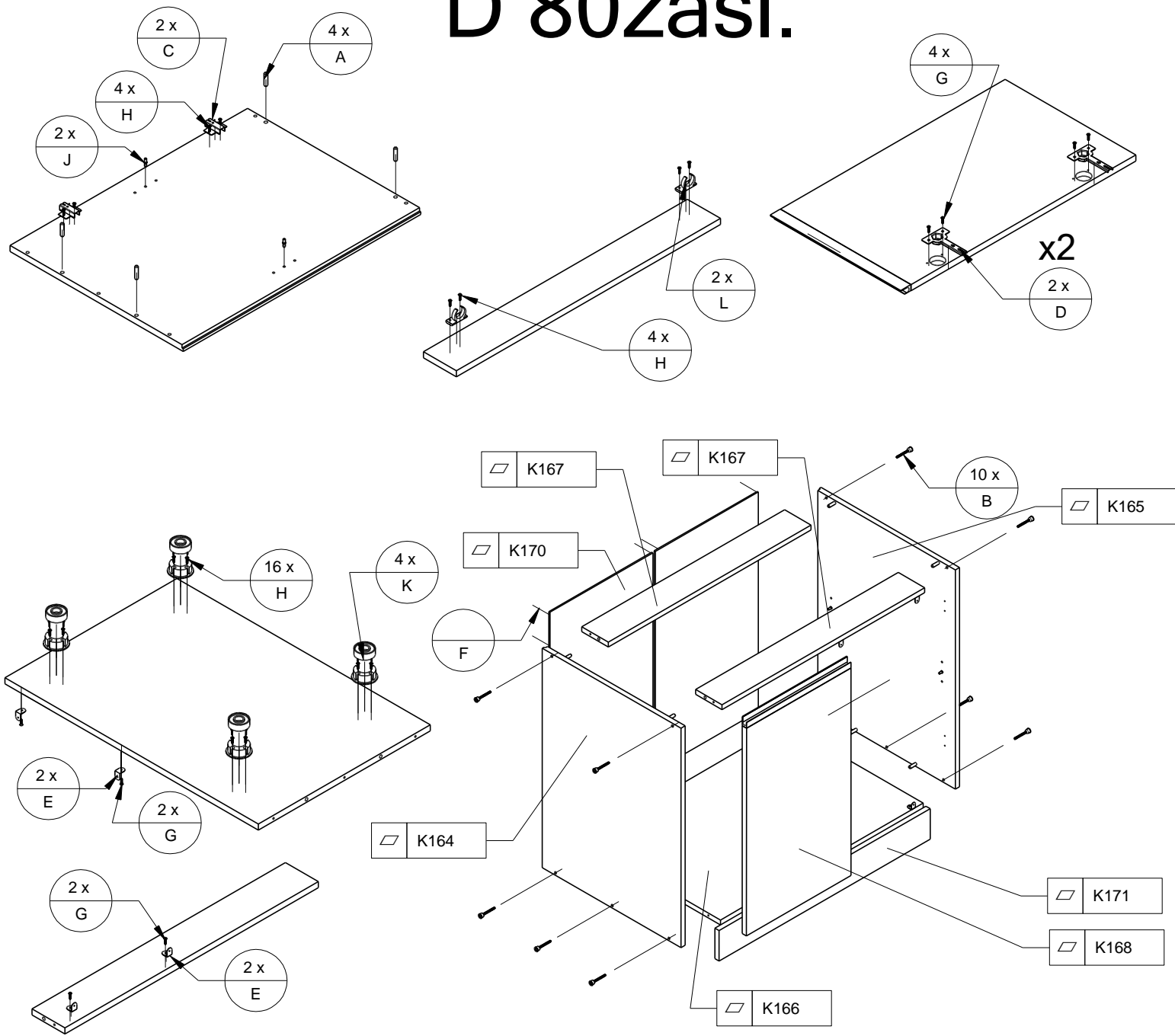
D 60 3sz/80 3sz

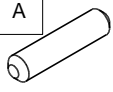
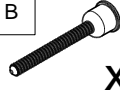

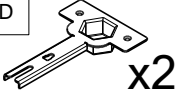


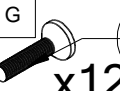

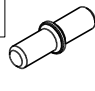
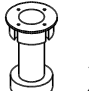
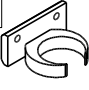


A	B	C
x8	x10	x2
D	E	F
∅3 13	∅3,5 16	∅4 16
x12	x52	x16
G	H	J
x20	x4	x2
K	L	
x4	x6	

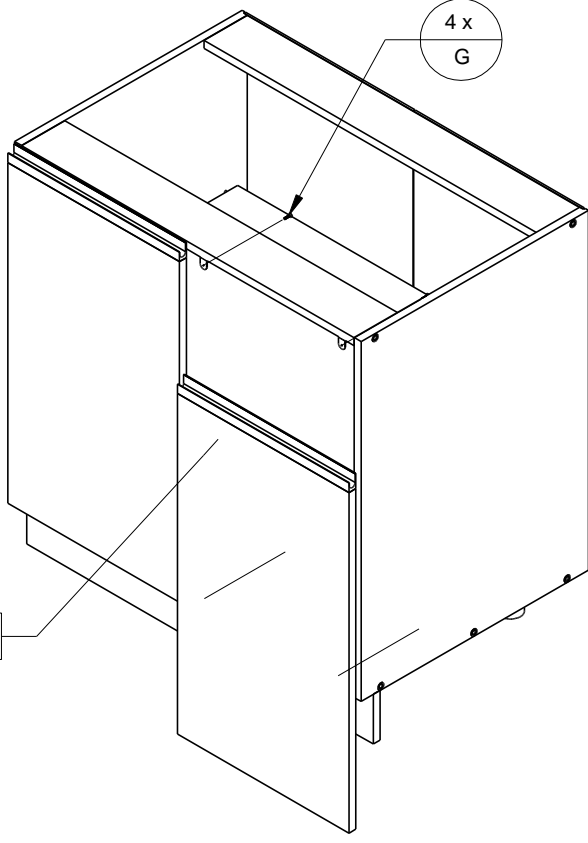



D 80zaśl.

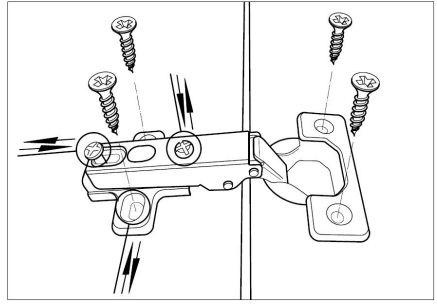


<p>A</p>  <p>x8</p>	<p>B</p>  <p>x10</p>	<p>C</p>  <p>x2</p>	<p>D</p>  <p>x2</p>	<p>E</p>  <p>x4</p>
<p>F</p>  <p>x35</p>	<p>G</p>  <p>x12</p> <p>3.5 x 16</p>	<p>H</p>  <p>x24</p> <p>4 x 16</p>	<p>J</p>  <p>x4</p>	<p>K</p>  <p>x4</p>
<p>L</p>  <p>x2</p>				

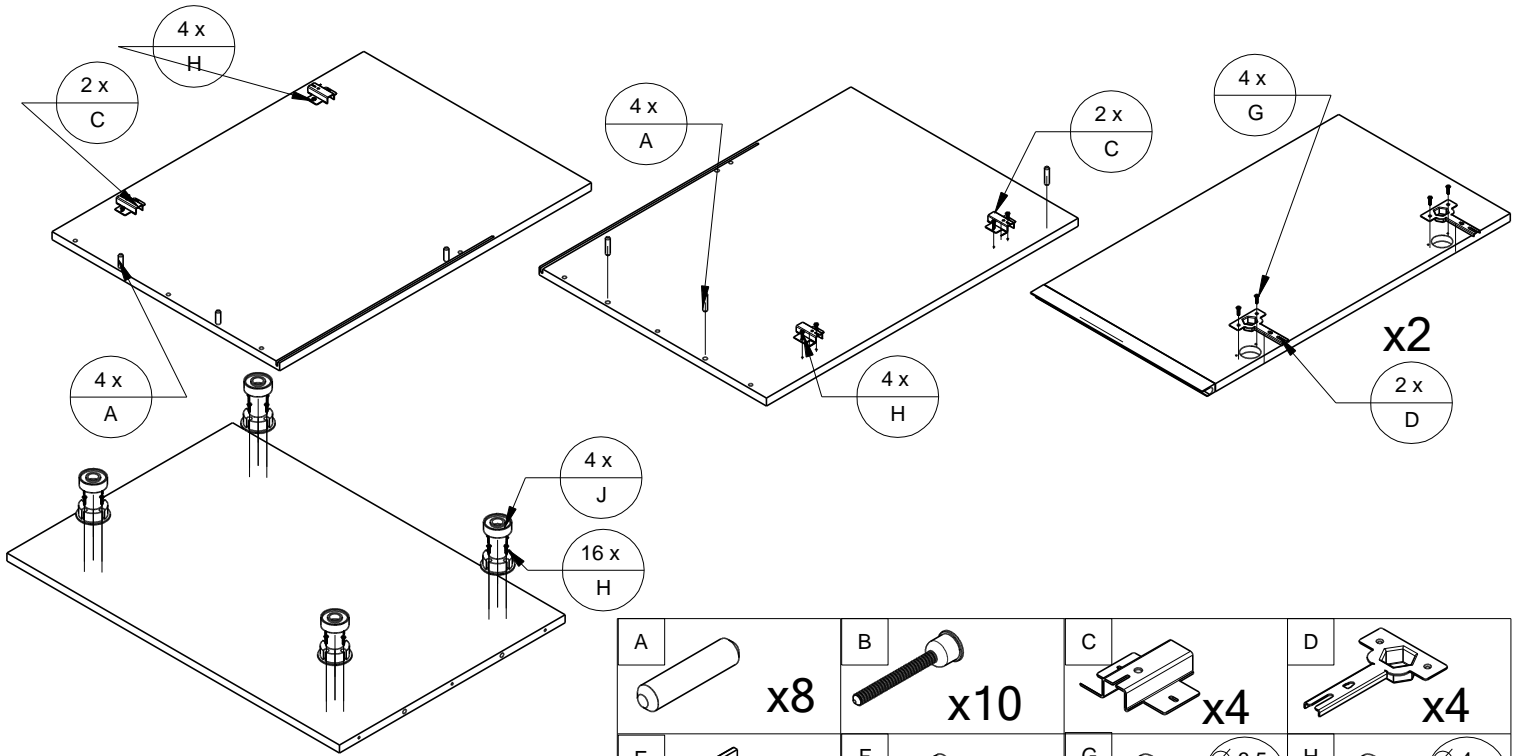
4 x
G

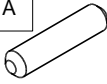
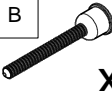
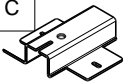
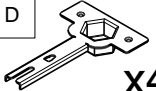
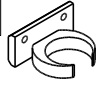
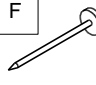
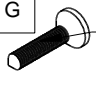
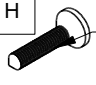
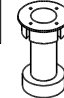


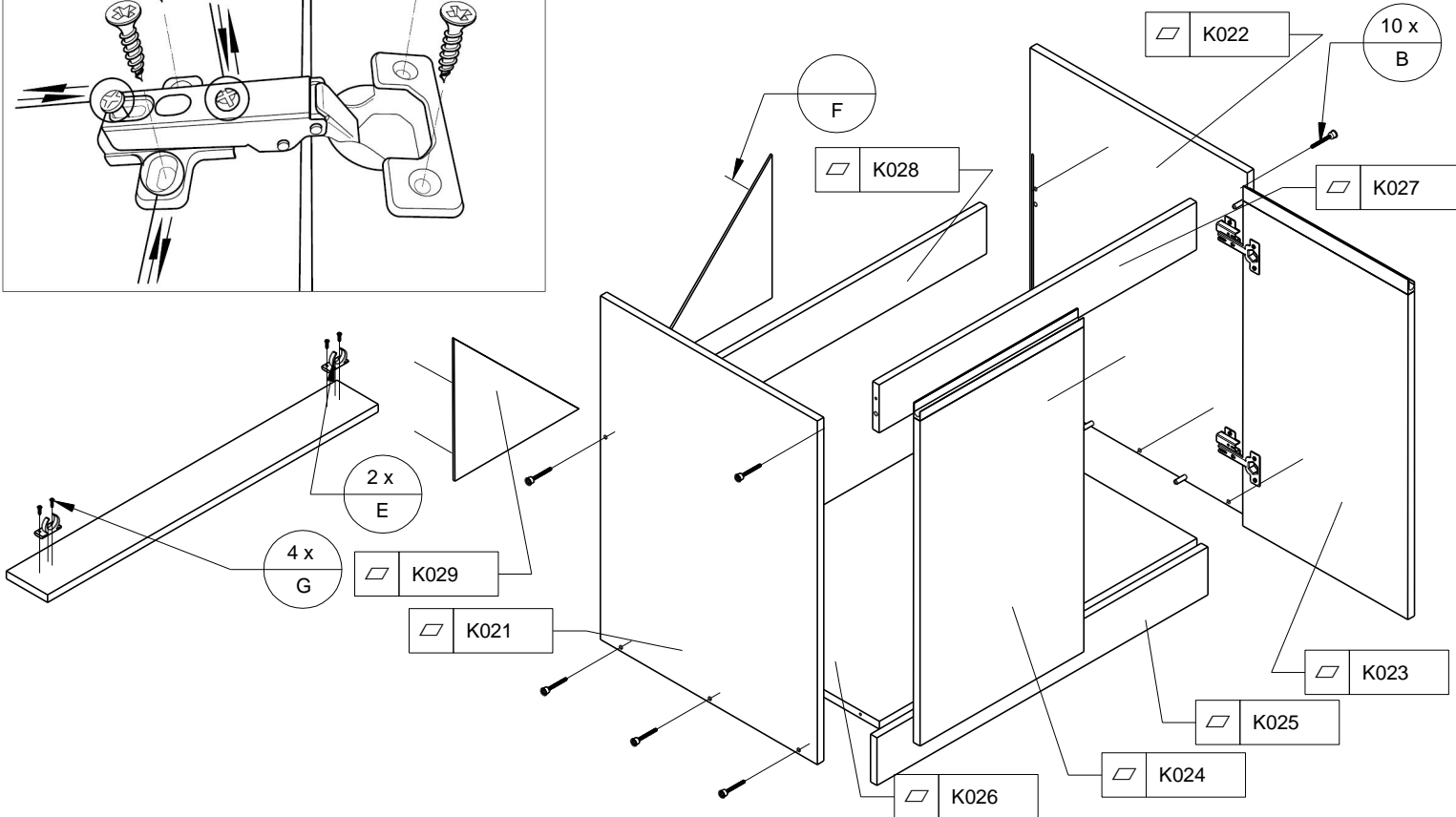
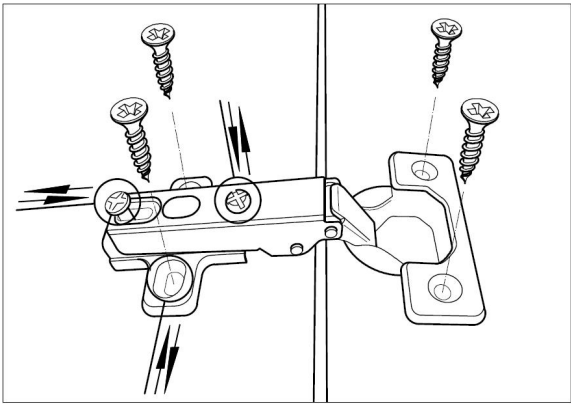
 K169



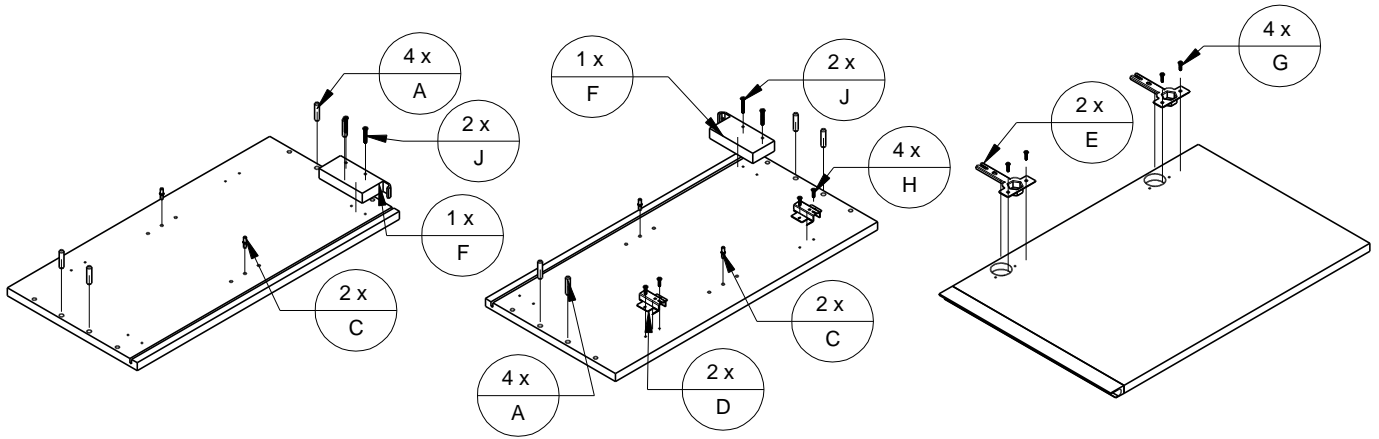
D 80zi

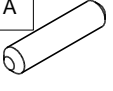
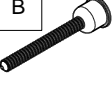
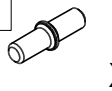
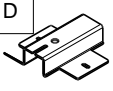

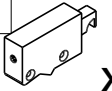
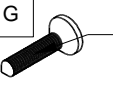
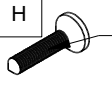
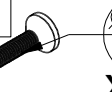


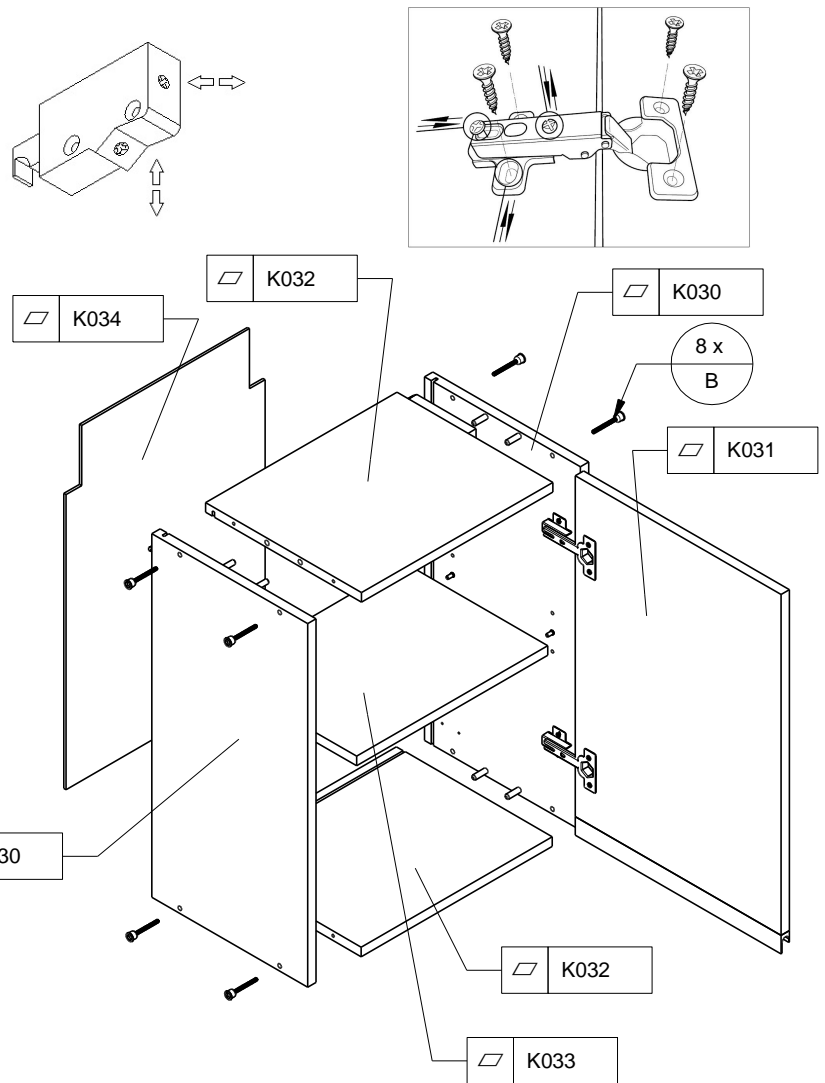
A	 x8	B	 x10	C	 x4	D	 x4
E	 x2	F	 x10	G	 x12	H	 x8
J	 x4						



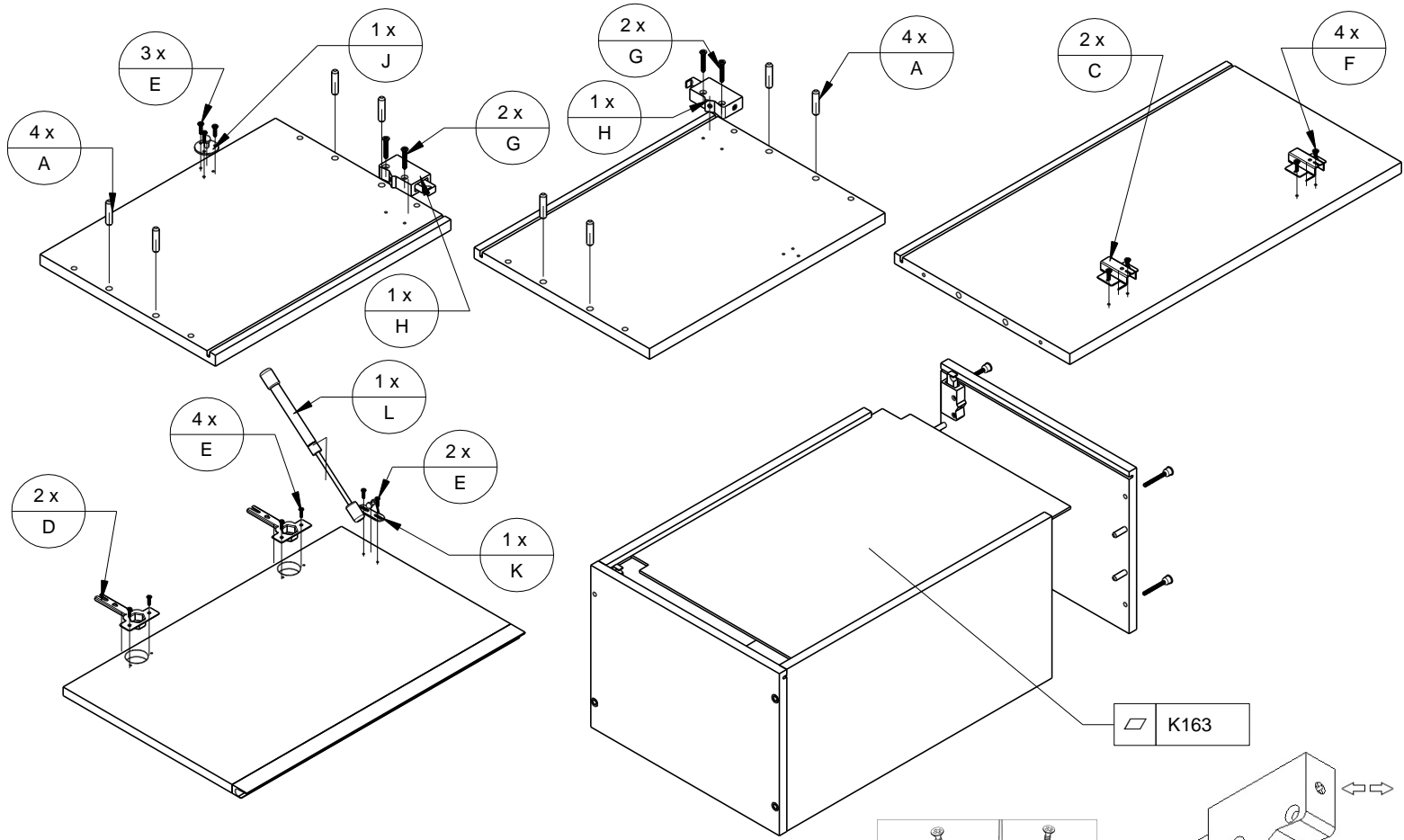
G30/40/60 1F

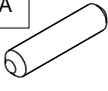

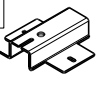
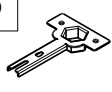
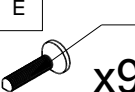
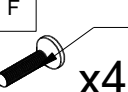
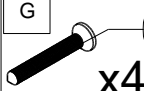
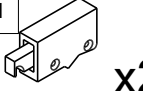
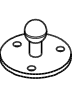

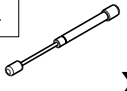


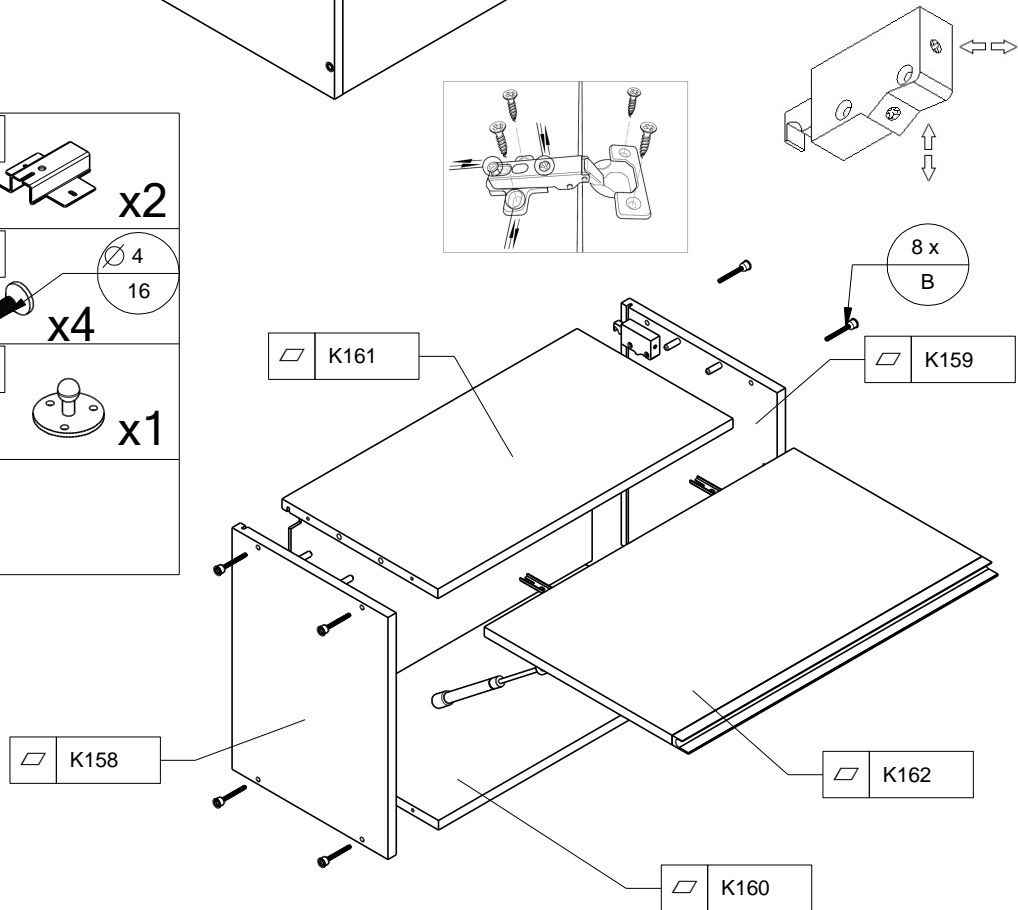
A		x8	B		x8	C		x4
D		x2	E		x2	F		x2
G		$\varnothing 3,5$ 16	H		$\varnothing 4$ 16	J		$\varnothing 4$ 30
		x4			x4			x4



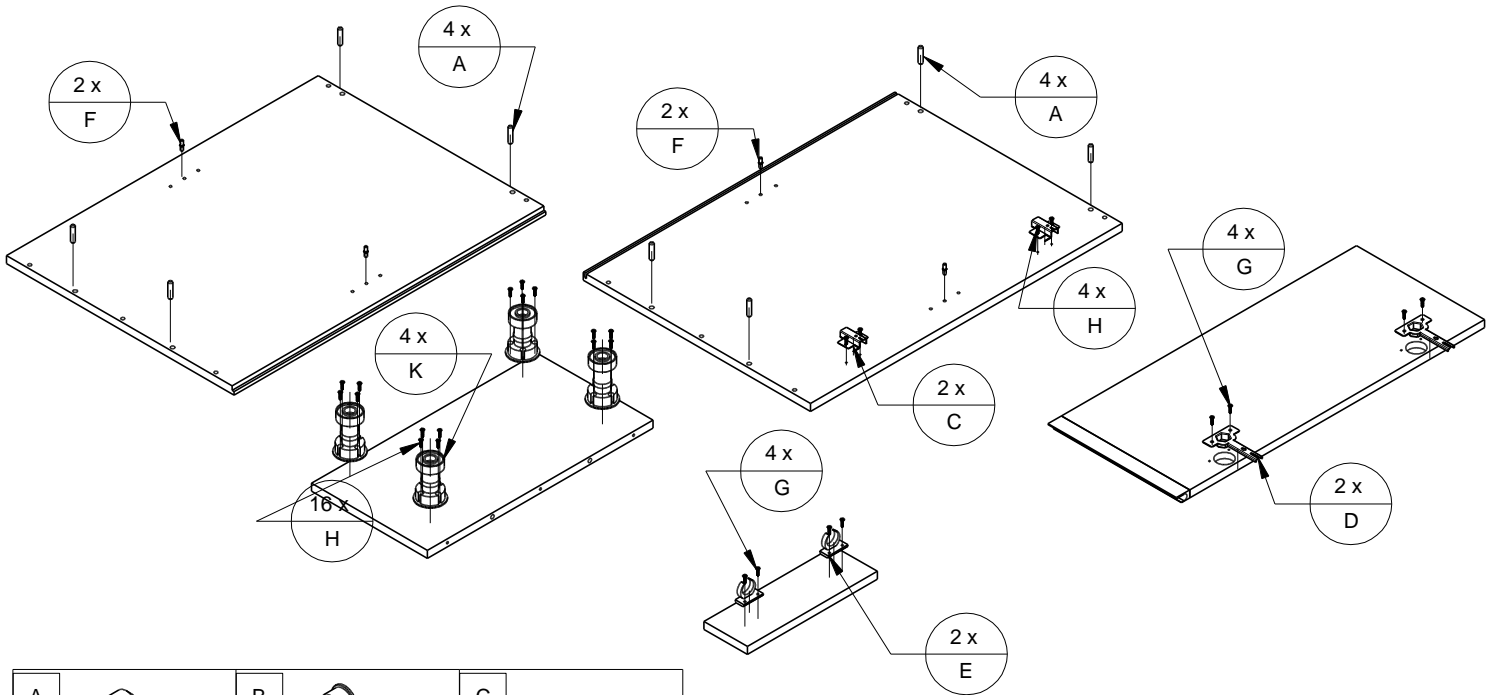
G50/60 ok






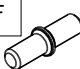
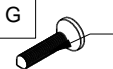
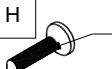
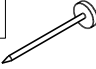
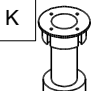


A	B	C
		
x8	x8	x2
D	E	F
		
x2	x9	x4
G	H	J
		
x4	x2	x1
K	L	
		
x1	x1	



D 30/40/60 1F



A	B	C
		
x8	x10	x2
D	E	F
		
x2	x2	x4
G	H	J
		
$\varnothing 3,5$ $\varnothing 16$ x8	$\varnothing 4$ $\varnothing 16$ x20	x20
K		
		
x4		

